

US00D597577S

(12) **United States Design Patent**
Kim et al.

(10) **Patent No.:** **US D597,577 S**
(45) **Date of Patent:** **** Aug. 4, 2009**

(54) **DIGITAL CAMERA**

(75) Inventors: **Tae-hwan Kim**, Changwon (KR);
Sung-kyun Bai, Changwon (KR)

(73) Assignee: **Samsung Techwin Co., Ltd.**, Changwon (KR)

(**) Term: **14 Years**

(21) Appl. No.: **29/312,563**

(22) Filed: **Oct. 29, 2008**

(30) **Foreign Application Priority Data**

Jun. 2, 2008 (KR) 30-2008-0023263

(51) **LOC (9) Cl.** **16-01**

(52) **U.S. Cl.** **D16/202**

(58) **Field of Classification Search** D16/200-204,
D16/208, 209, 218; 348/373-376; 358/909.1;
396/535-541

See application file for complete search history.

(56) **References Cited**

U.S. PATENT DOCUMENTS

D555,687 S * 11/2007 Yoo et al. D16/218
D568,358 S * 5/2008 Shimobayashi D16/202

D576,191 S * 9/2008 Shimobayashi D16/202
D577,757 S * 9/2008 Sumita D16/202
D580,467 S * 11/2008 Shimobayashi D16/202
2006/0139457 A1 * 6/2006 Liao 348/373
2007/0212062 A1 * 9/2007 Saiki et al. 396/535

* cited by examiner

Primary Examiner—Adir Aronovich

(74) *Attorney, Agent, or Firm*—Drinker Biddle & Reath LLP

(57) **CLAIM**

The ornamental design for a digital camera, as shown and described.

DESCRIPTION

FIG. 1 is a top, front and left side perspective view of a digital camera showing our new design;

FIG. 2 is a front elevational view of the digital camera;

FIG. 3 is a rear elevational view of the digital camera;

FIG. 4 is a left side view of the digital camera;

FIG. 5 is a right side view of the digital camera;

FIG. 6 is a top plan view of the digital camera; and,

FIG. 7 is a bottom plan view of the digital camera.

1 Claim, 4 Drawing Sheets

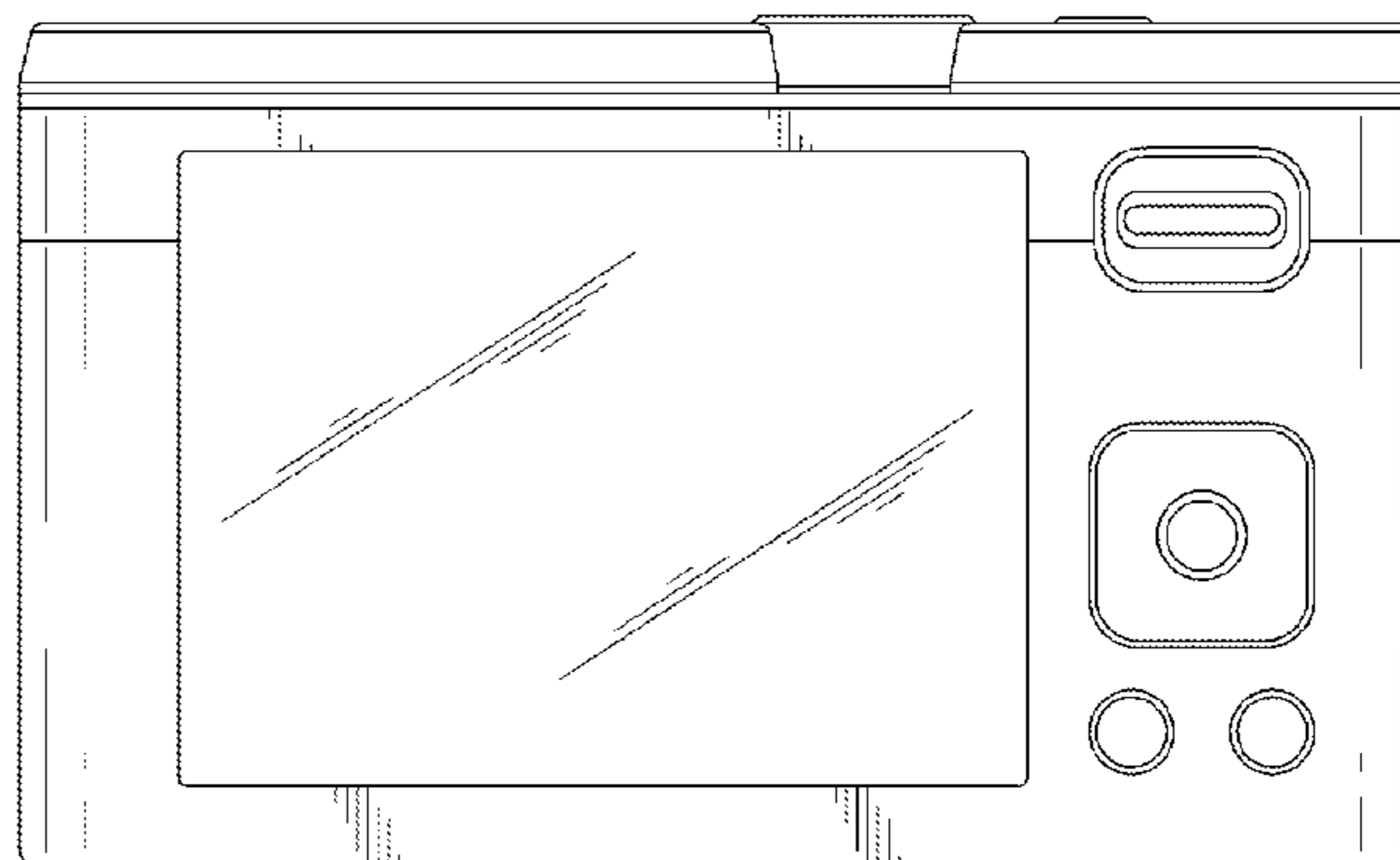
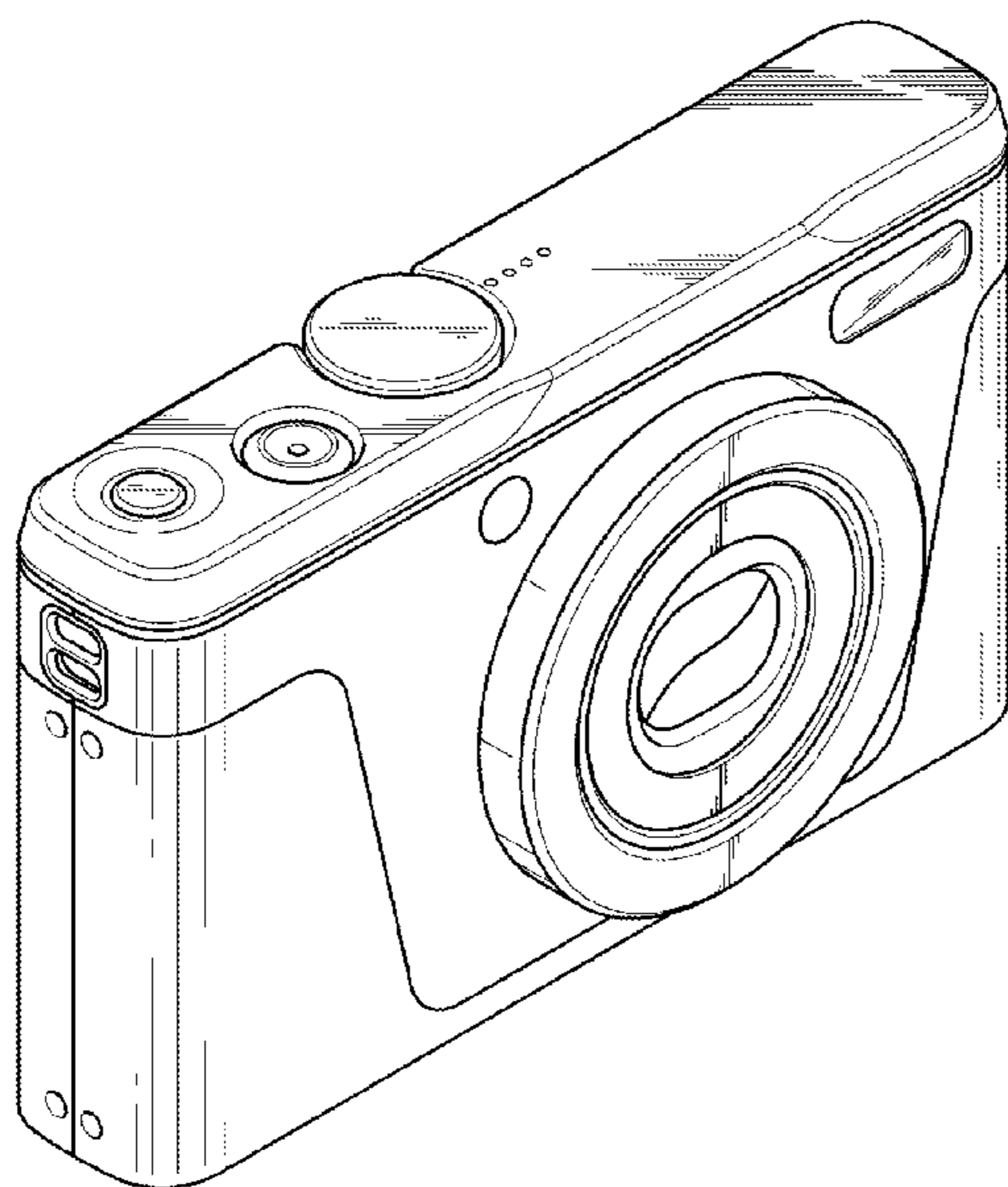


FIG. 1

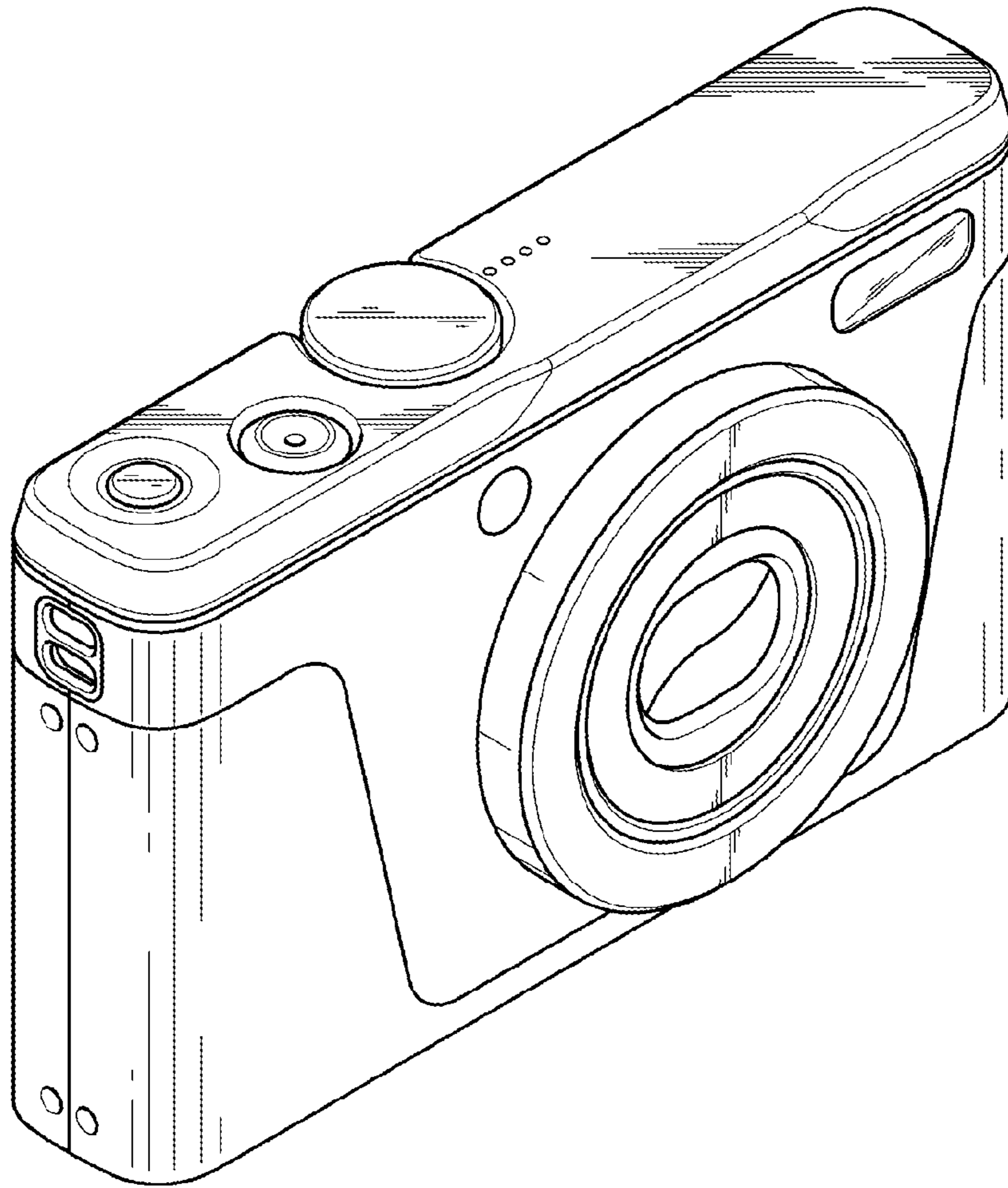


FIG. 2

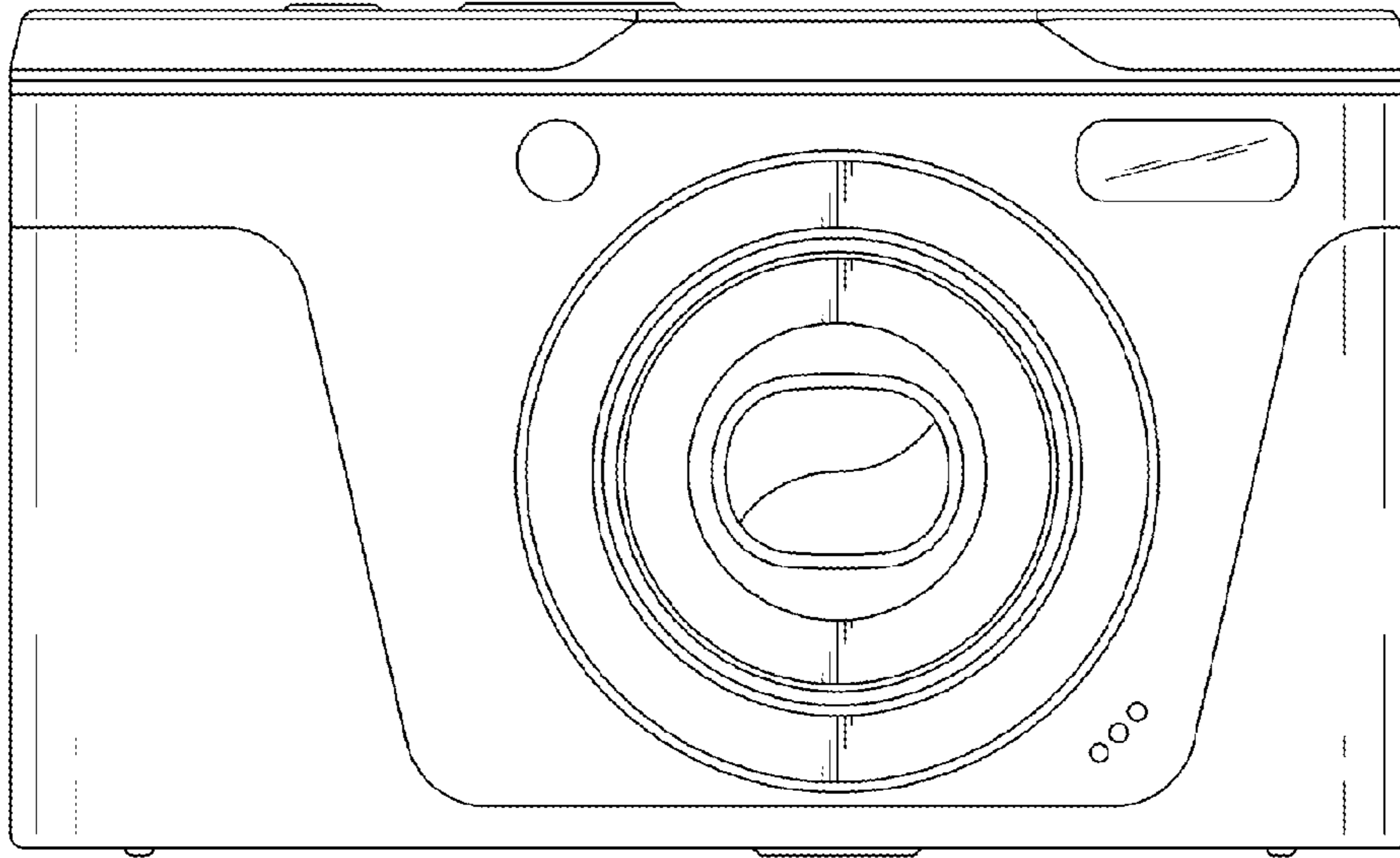


FIG. 3

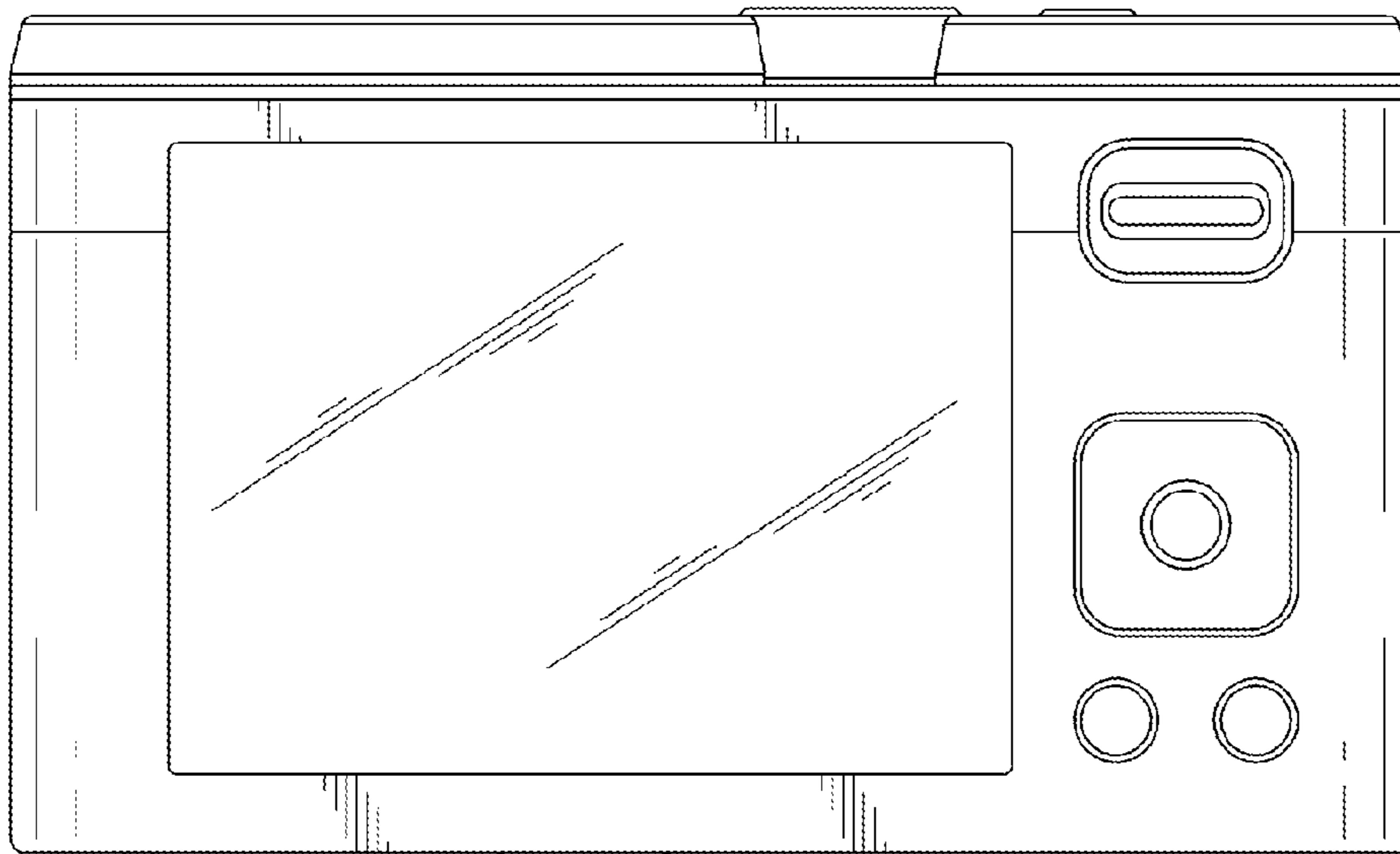


FIG. 4

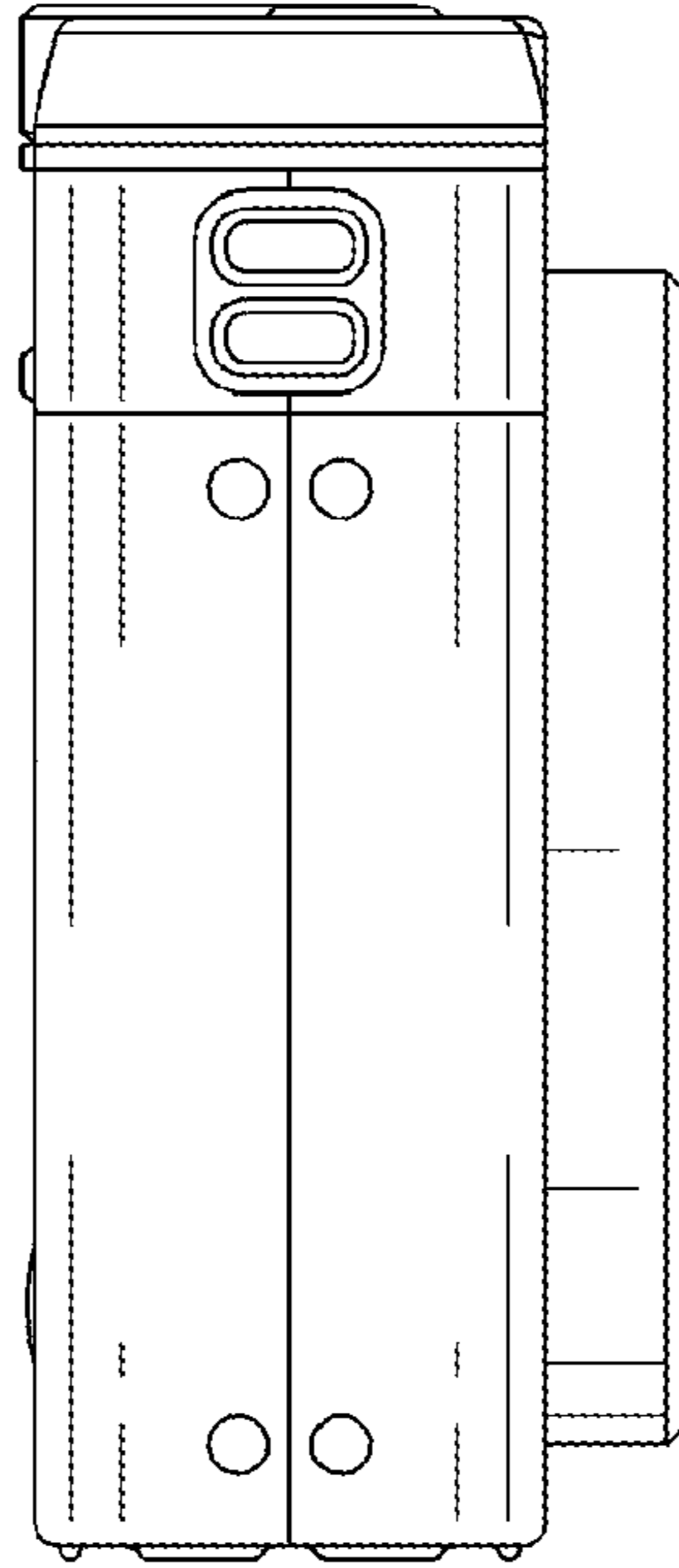


FIG. 5

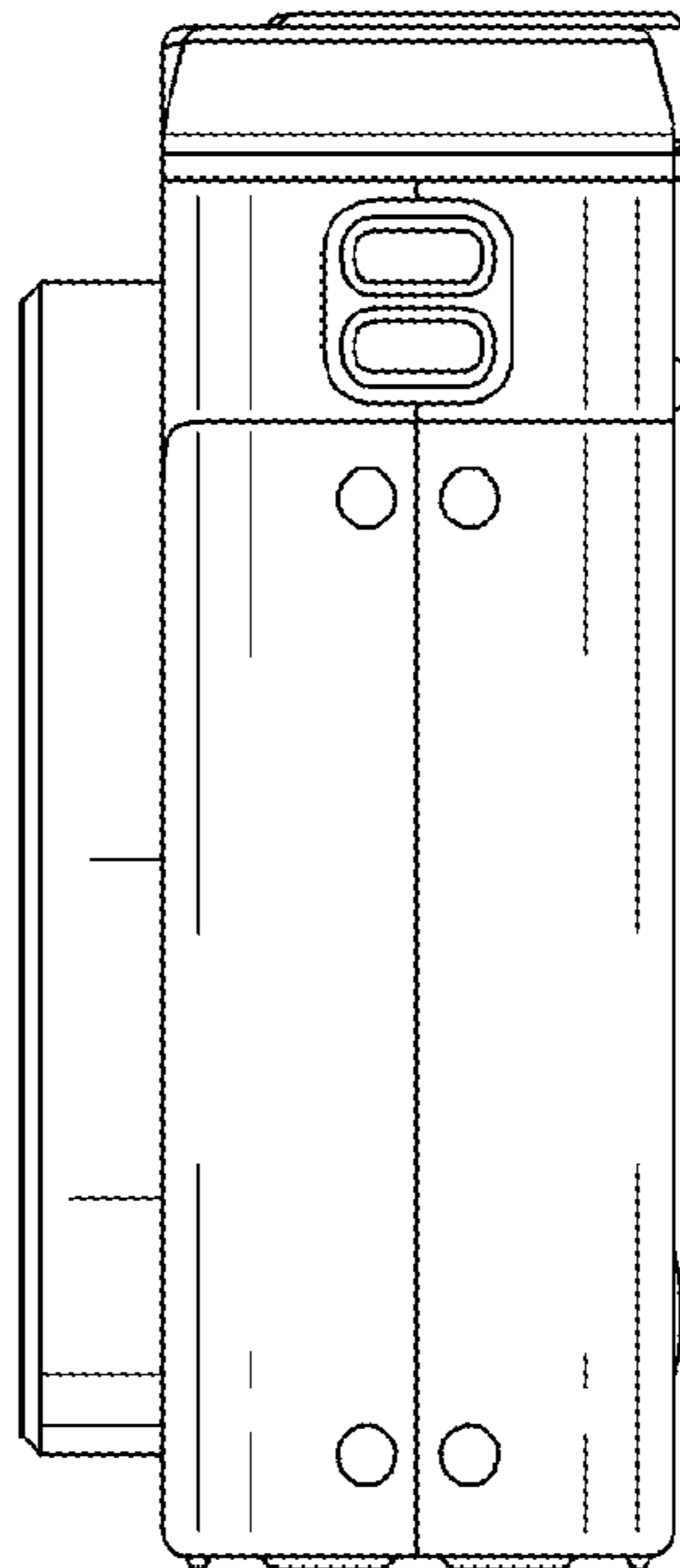


FIG. 6

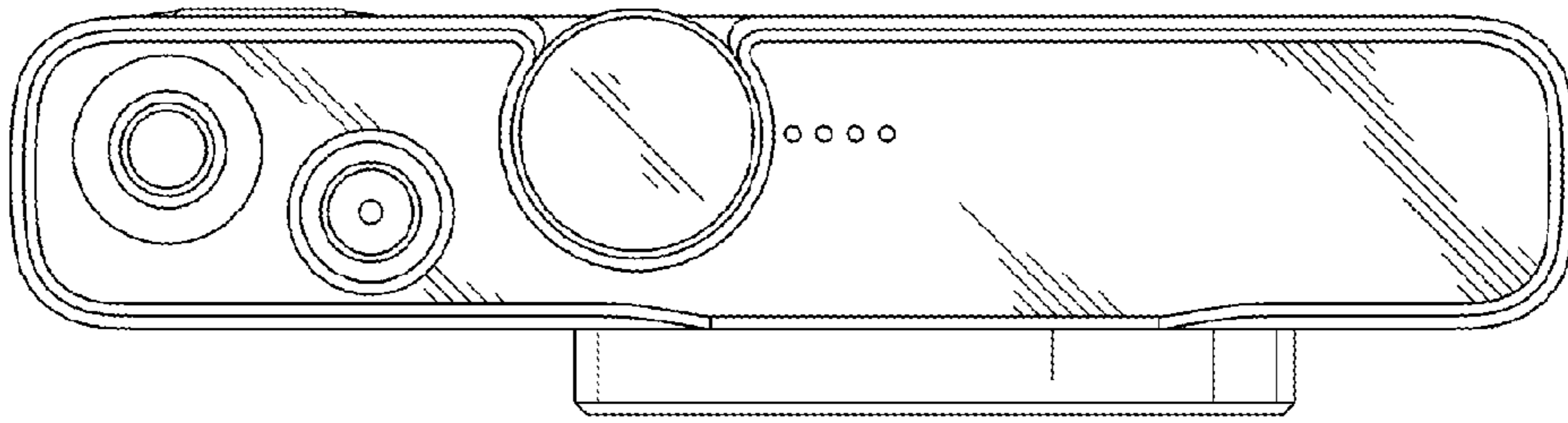


FIG. 7

