

US00D597576S

(12) **United States Design Patent**  
**Kim et al.**

(10) **Patent No.:** **US D597,576 S**

(45) **Date of Patent:** **\*\* Aug. 4, 2009**

(54) **DIGITAL CAMERA**

(75) Inventors: **Tae-hwan Kim**, Changwon (KR);  
**Sung-kyun Bai**, Changwon (KR)

(73) Assignee: **Samsung Techwin Co., Ltd.**, Changwon (KR)

(\*\*) Term: **14 Years**

(21) Appl. No.: **29/312,527**

(22) Filed: **Oct. 28, 2008**

(30) **Foreign Application Priority Data**

Apr. 30, 2008 (KR) ..... 30-2008-0018451

(51) **LOC (9) Cl.** ..... **16-01**

(52) **U.S. Cl.** ..... **D16/202**

(58) **Field of Classification Search** ..... D16/200–204,  
D16/208, 209, 218; 348/373–376; 358/909.1;  
396/535–541

See application file for complete search history.

(56) **References Cited**

**U.S. PATENT DOCUMENTS**

D555,687 S \* 11/2007 Yoo et al. .... D16/218  
D568,358 S \* 5/2008 Shimobayashi ..... D16/202

D576,191 S \* 9/2008 Shimobayashi ..... D16/202  
D577,757 S \* 9/2008 Sumita ..... D16/202  
D580,467 S \* 11/2008 Shimobayashi ..... D16/202  
2006/0139457 A1 \* 6/2006 Liao ..... 348/373  
2007/0212062 A1 \* 9/2007 Saiki et al. .... 396/535

\* cited by examiner

*Primary Examiner*—Adir Aronovich

(74) *Attorney, Agent, or Firm*—Drinker Biddle & Reath LLP

(57) **CLAIM**

The ornamental design for a digital camera, as shown and described.

**DESCRIPTION**

FIG. 1 is a top, front and left side perspective view of a digital camera showing our new design;

FIG. 2 is a front elevational view of the digital camera;

FIG. 3 is a rear elevational view of the digital camera;

FIG. 4 is a left side view of the digital camera;

FIG. 5 is a right side view of the digital camera;

FIG. 6 is a top plan view of the digital camera; and,

FIG. 7 is a bottom plan view of the digital camera.

**1 Claim, 4 Drawing Sheets**

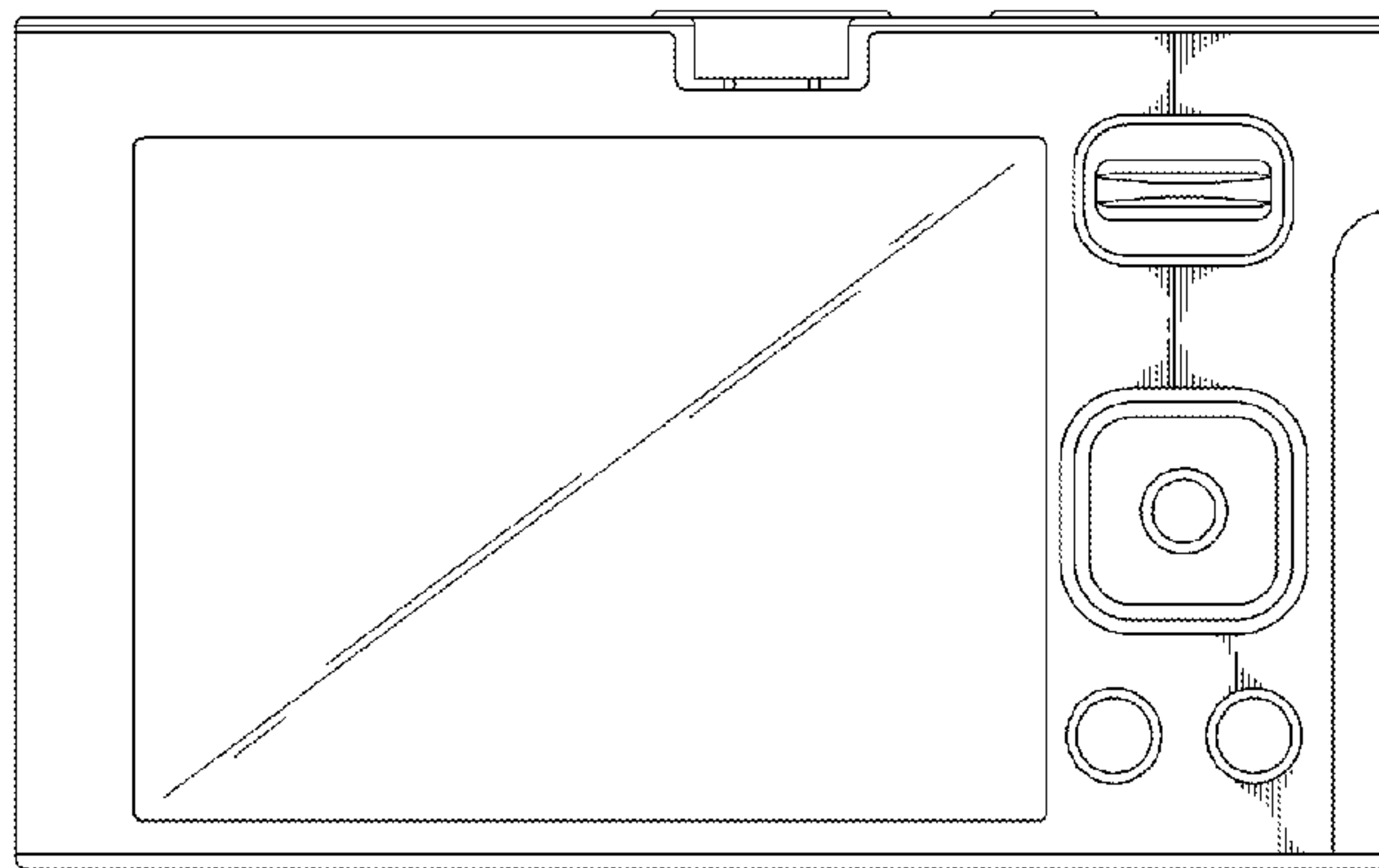
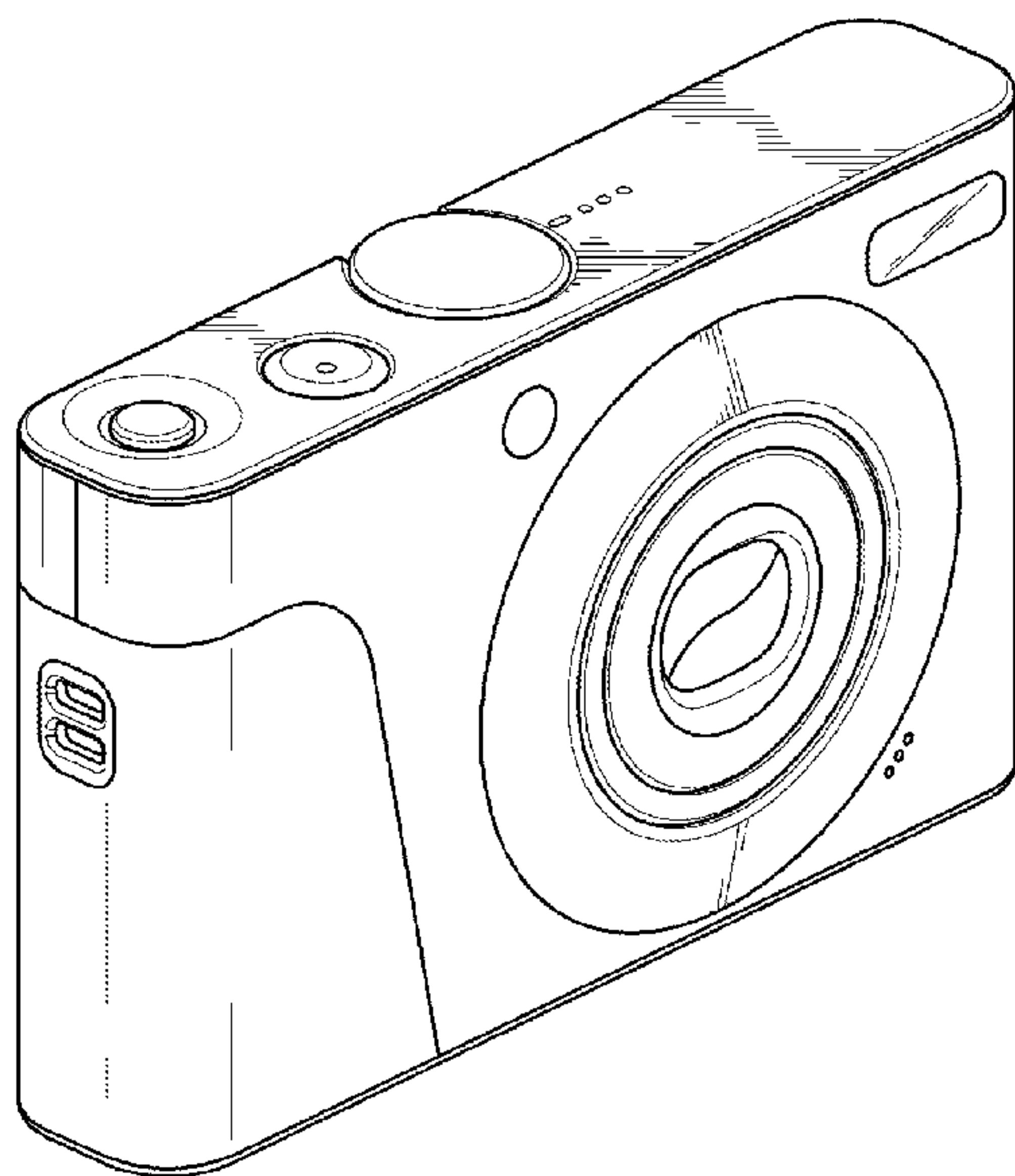


FIG. 1

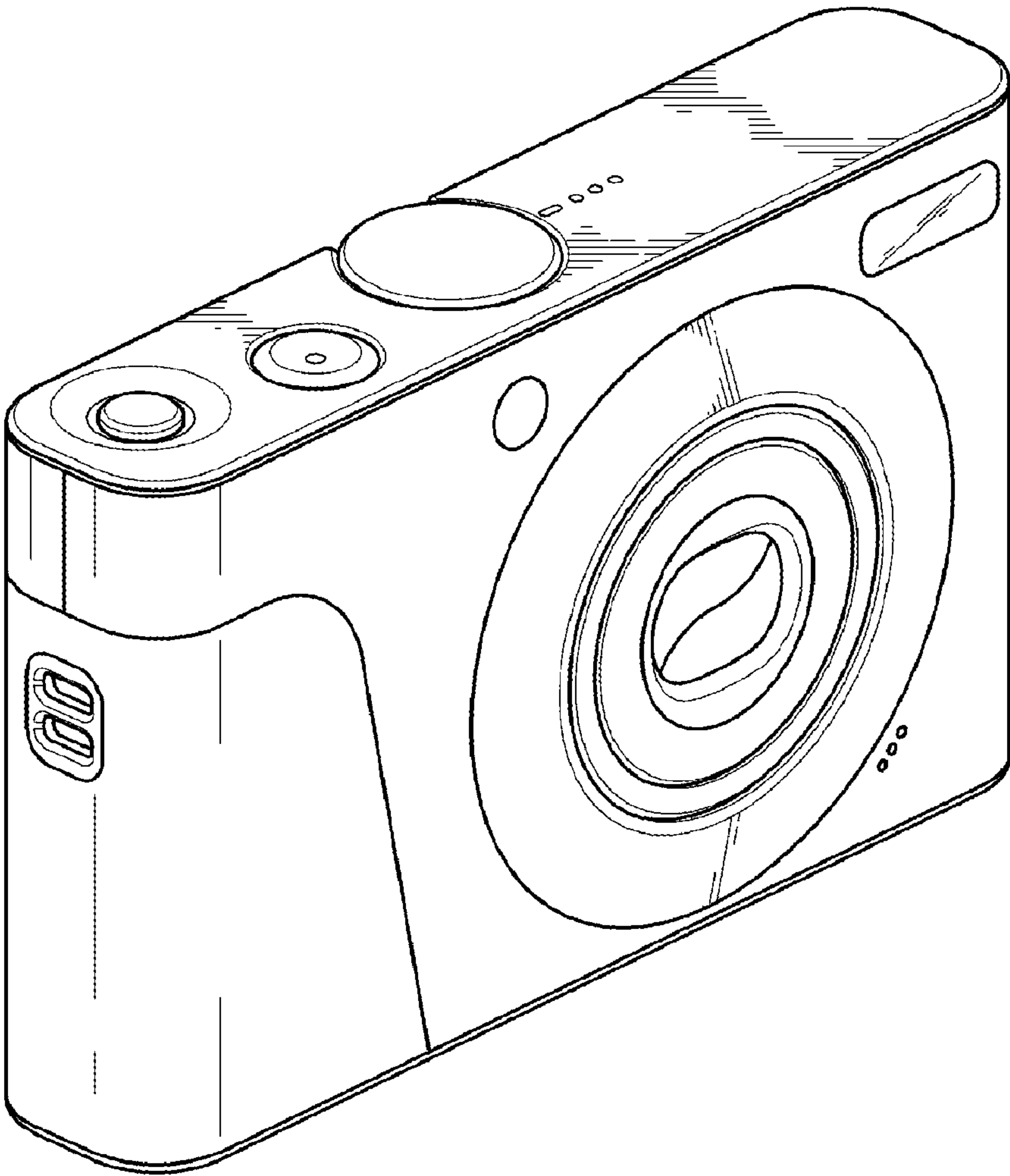


FIG. 2

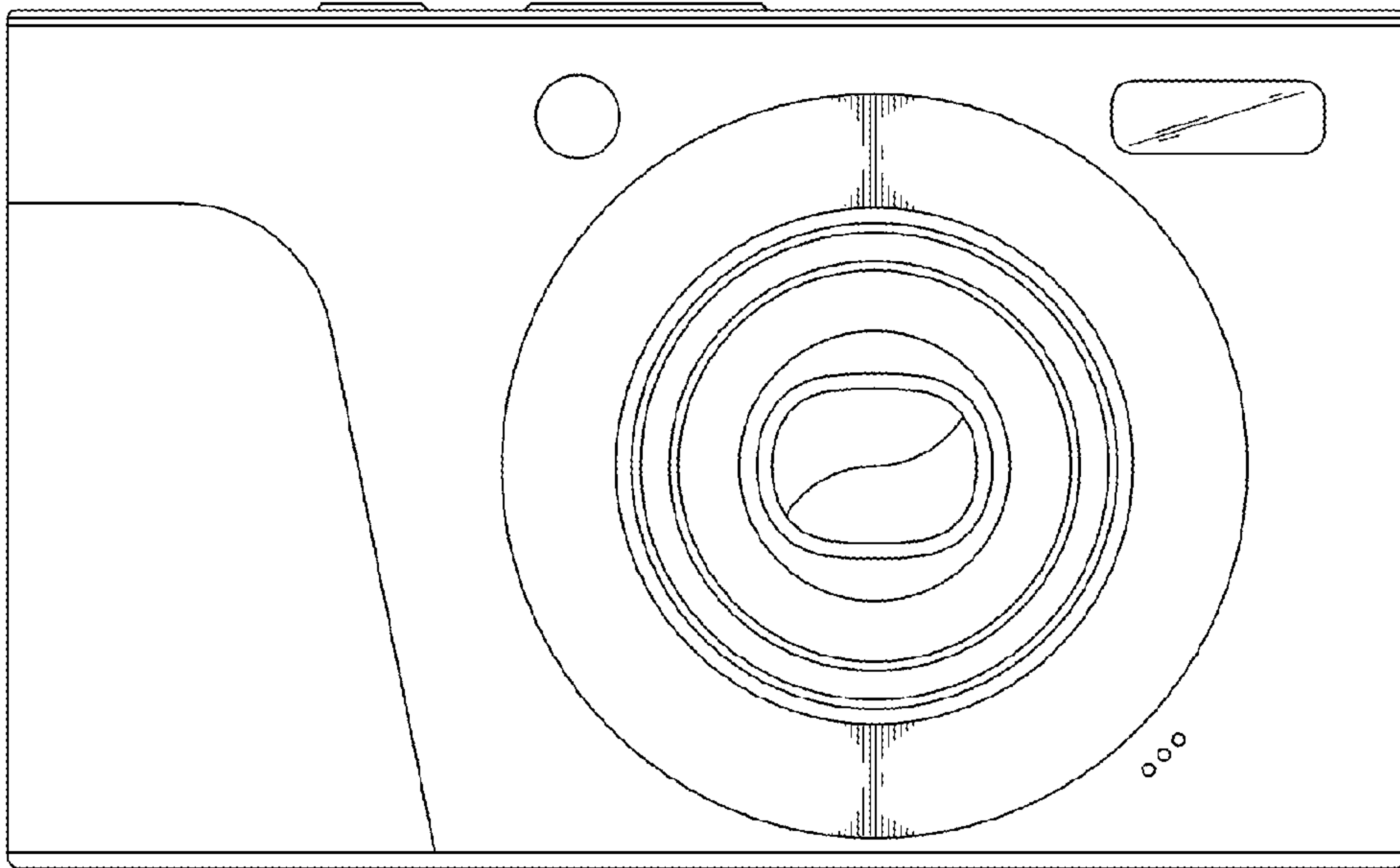


FIG. 3

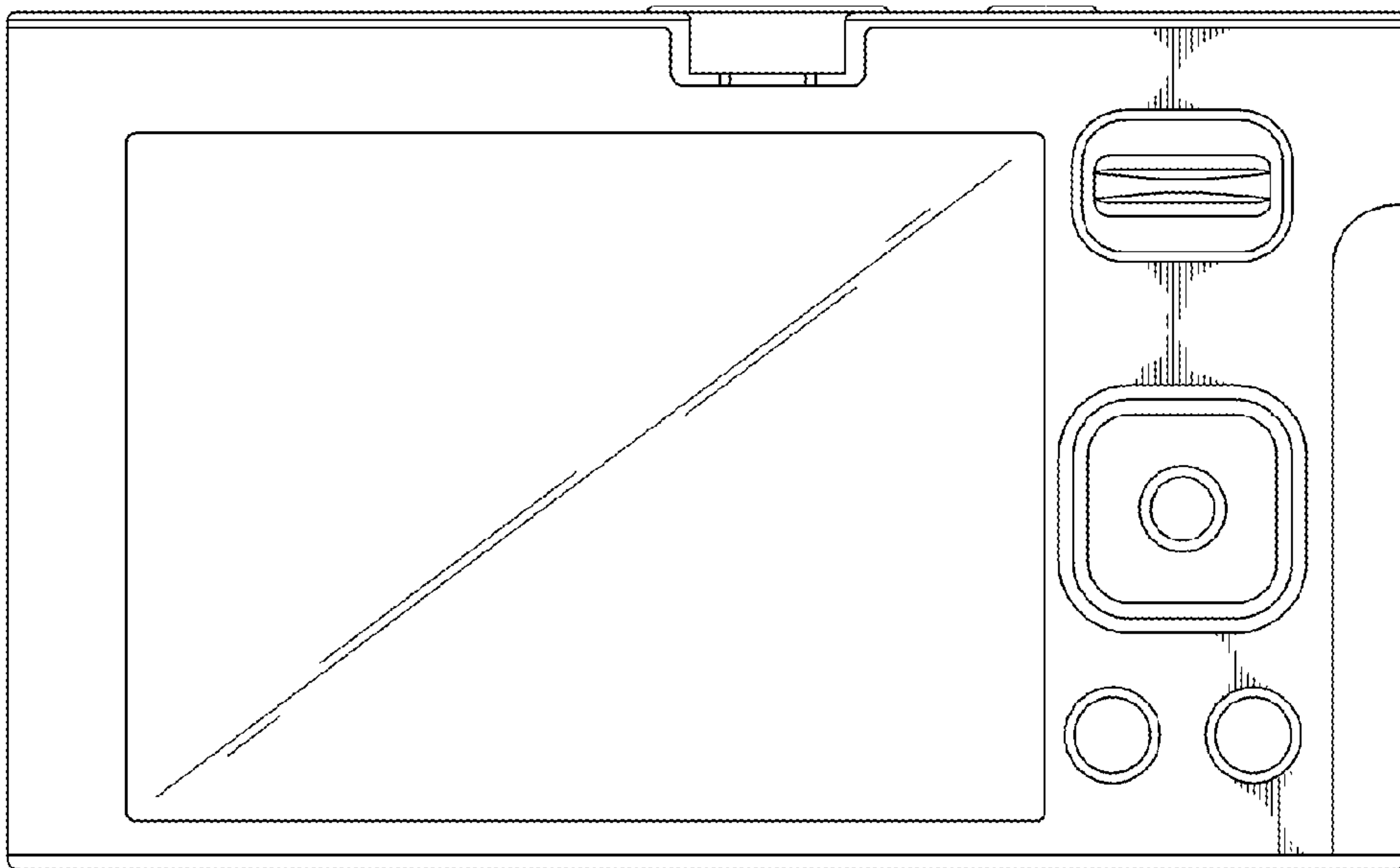


FIG. 4

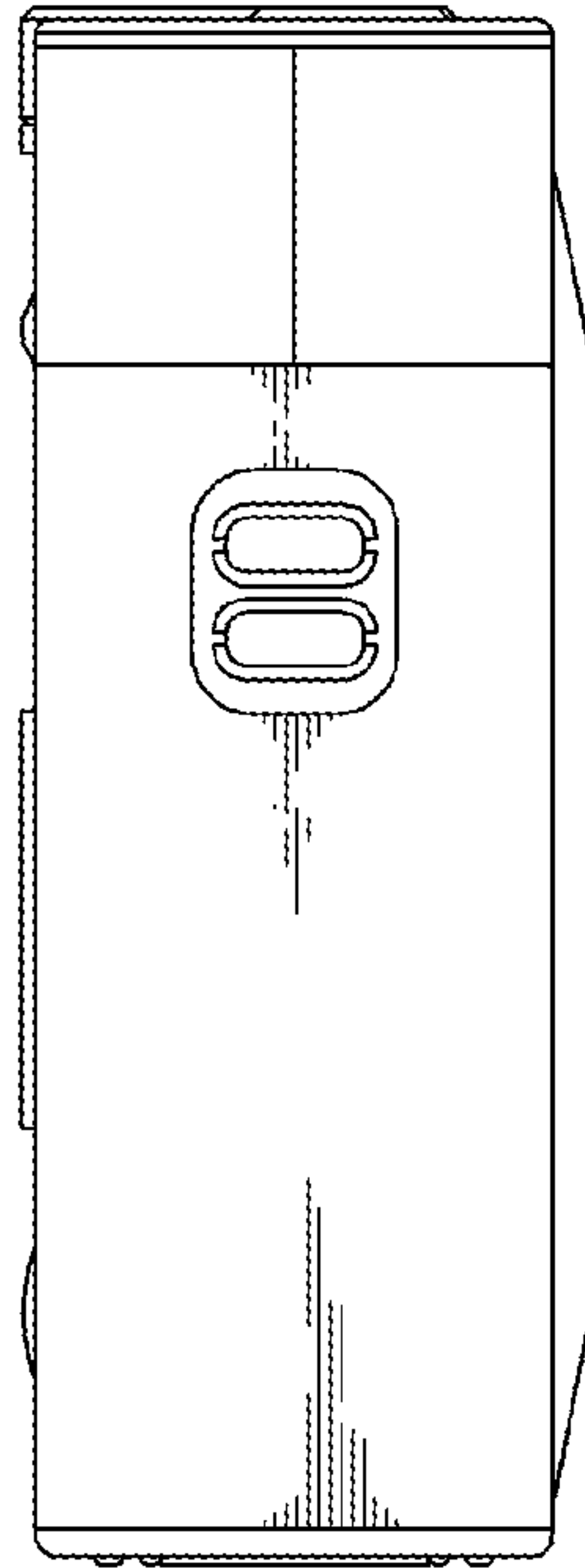


FIG. 5

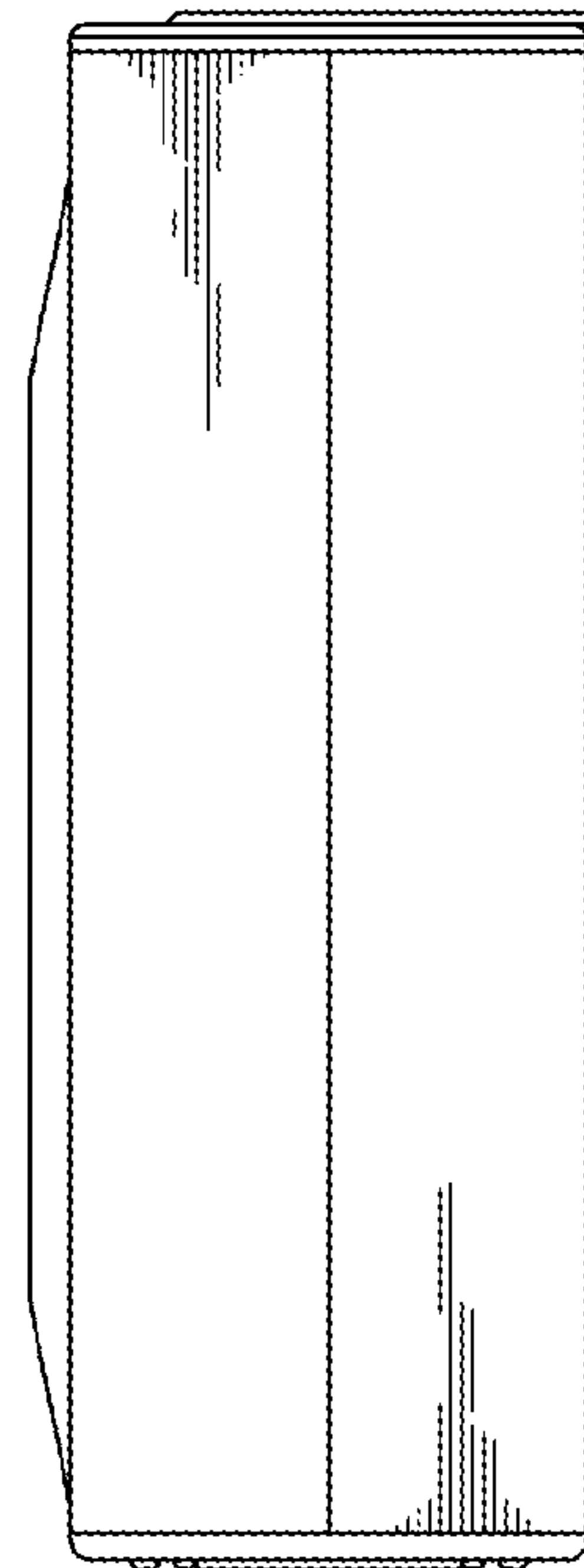


FIG. 6

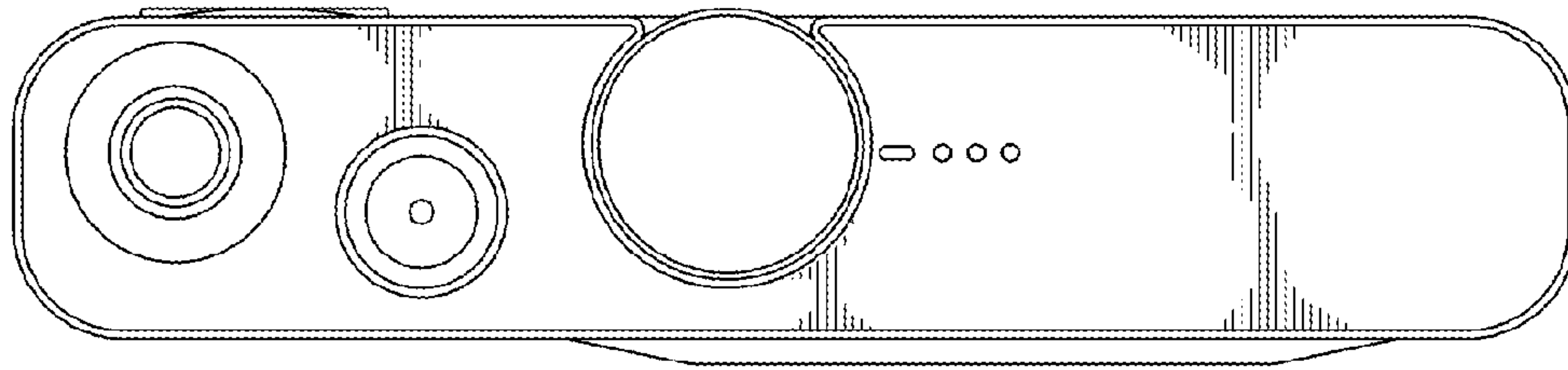


FIG. 7

