



US00D597574S

(12) **United States Design Patent**  
**Rittweger**

(10) **Patent No.:** **US D597,574 S**

(45) **Date of Patent:** **\*\* Aug. 4, 2009**

(54) **REPAIR UNIT FOR PNEUMATIC TIRES**

(75) Inventor: **Stefan Rittweger**, Neental (DE)

(73) Assignee: **Continental Aktiengesellschaft**,  
Hannover (DE)

(\*\*) Term: **14 Years**

(21) Appl. No.: **29/325,299**

(22) Filed: **Sep. 29, 2008**

(30) **Foreign Application Priority Data**

Jul. 16, 2008 (EM) ..... 000970710

(51) **LOC (9) Cl.** ..... **15-99**

(52) **U.S. Cl.** ..... **D15/199**

(58) **Field of Classification Search** ..... D8/105,  
D8/499; D15/199; 141/38, 67, 100; 152/415  
See application file for complete search history.

(56) **References Cited**

**U.S. PATENT DOCUMENTS**

4,284,451	A *	8/1981	Conley	.....	156/97
6,283,172	B1 *	9/2001	Thurner	.....	141/38
6,345,650	B1 *	2/2002	Paasch et al.	.....	141/5
6,789,581	B2 *	9/2004	Cowan et al.	.....	141/38
D509,838	S *	9/2005	Wong	.....	D15/199
D544,895	S *	6/2007	Izumoto et al.	.....	D15/199
D557,299	S *	12/2007	Marini et al.	.....	D15/199

D574,866	S *	8/2008	Yoshida	.....	D15/199
2004/0159365	A1 *	8/2004	Cowan et al.	.....	141/38
2004/0221439	A1 *	11/2004	Villarreal	.....	29/407.08
2008/0029181	A1 *	2/2008	Marini	.....	141/38

\* cited by examiner

*Primary Examiner*—Sandra Snapp

*Assistant Examiner*—Patricia Palasik

(74) *Attorney, Agent, or Firm*—Laurence A. Greenberg;  
Werner H. Stemer; Ralph E. Locher

(57) **CLAIM**

The ornamental design for a repair unit for pneumatic tires, as shown and described.

**DESCRIPTION**

FIG. 1 is a front, top perspective view of the repair unit for pneumatic tires, showing my new design;

FIG. 2 is a similar view thereof, at a slightly steeper viewing angle;

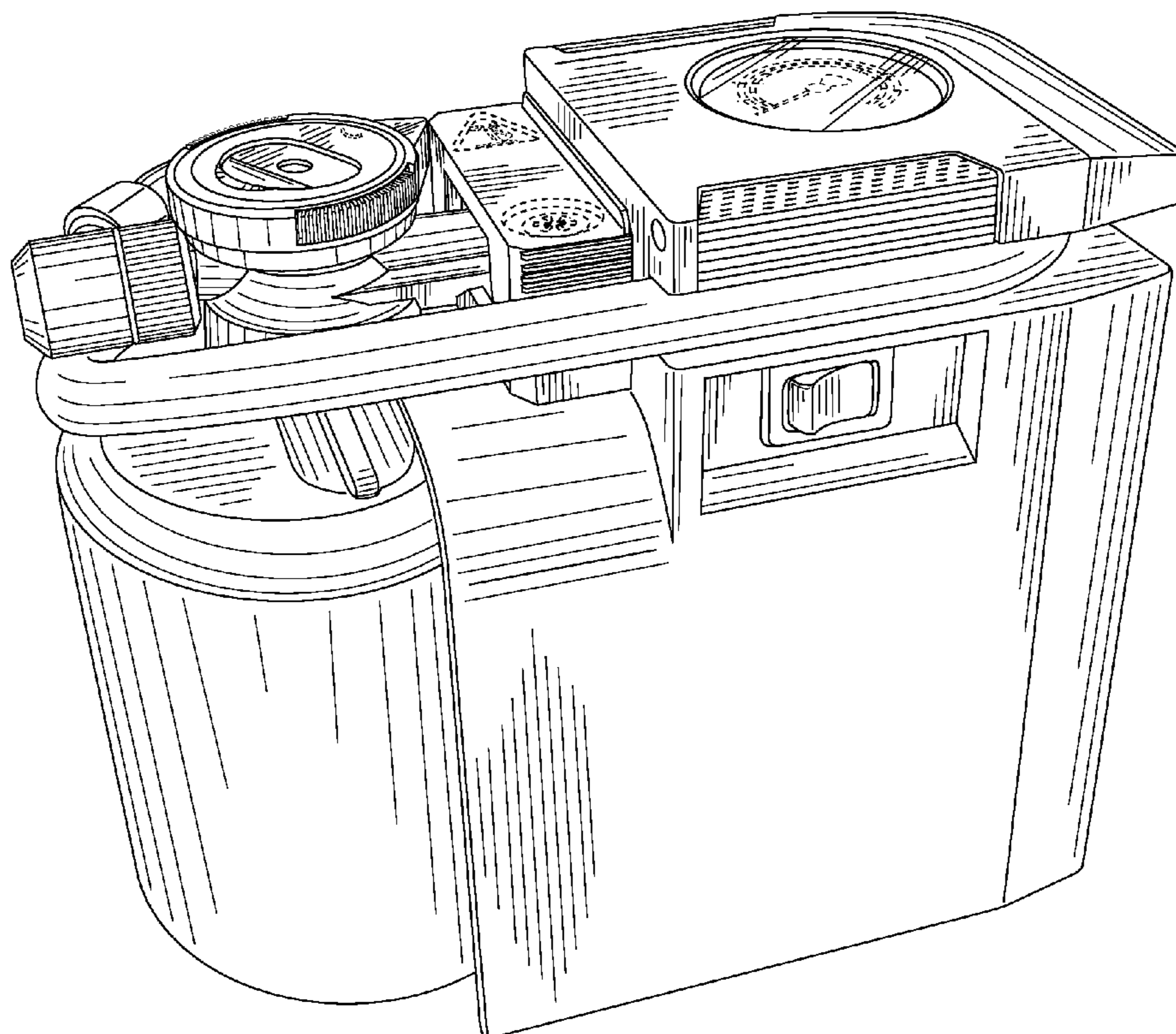
FIG. 3 is a similar view thereof, at a steeper viewing angle;

FIG. 4 is top view thereof; and,

FIG. 5 is a perspective side view thereof.

The broken line showing of the apparatus for repairing punctured tires is included for the purpose of illustrating portions of the apparatus for repairing punctured tires and forms no part of the claimed design.

**1 Claim, 5 Drawing Sheets**



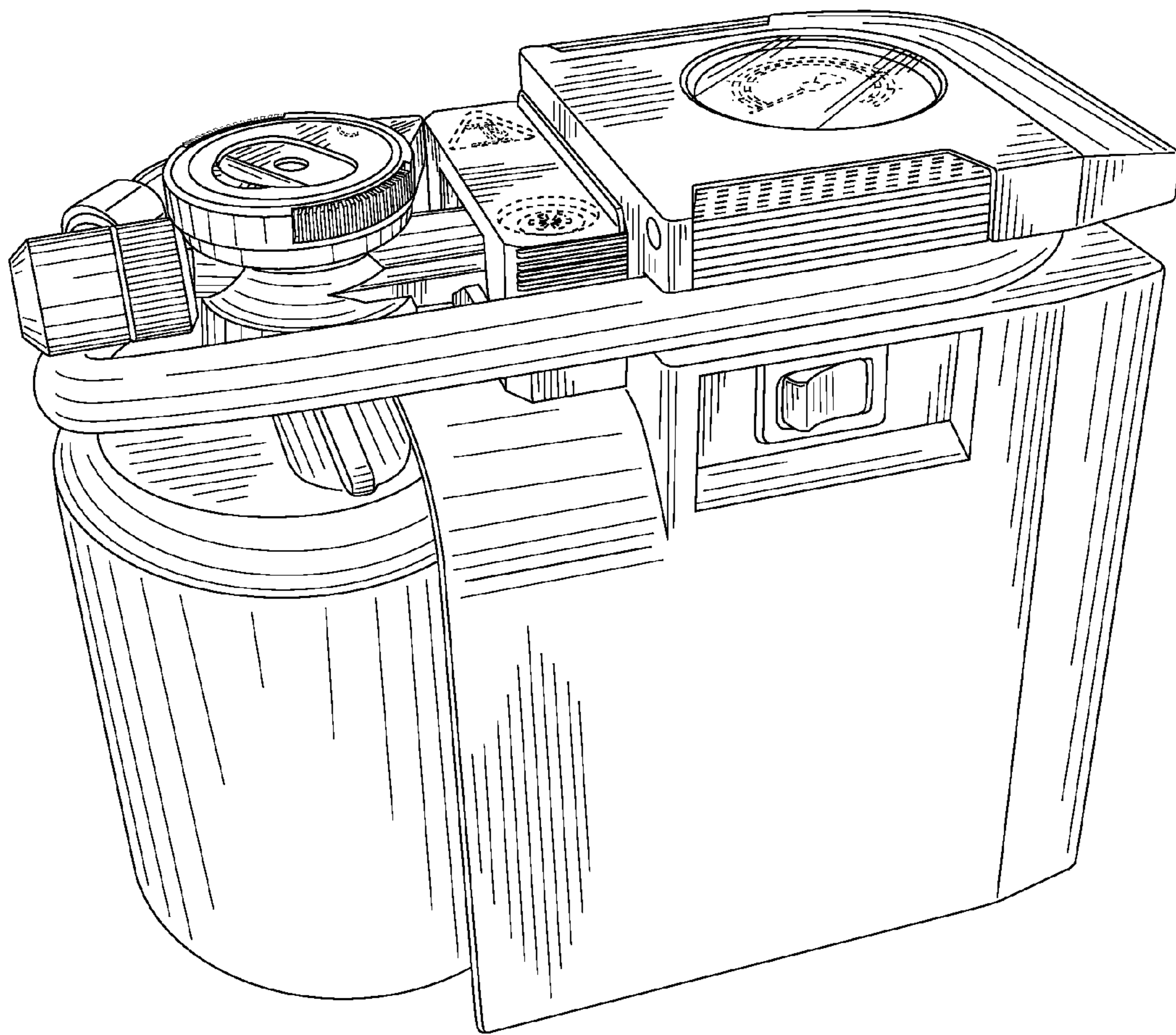


FIG. 1

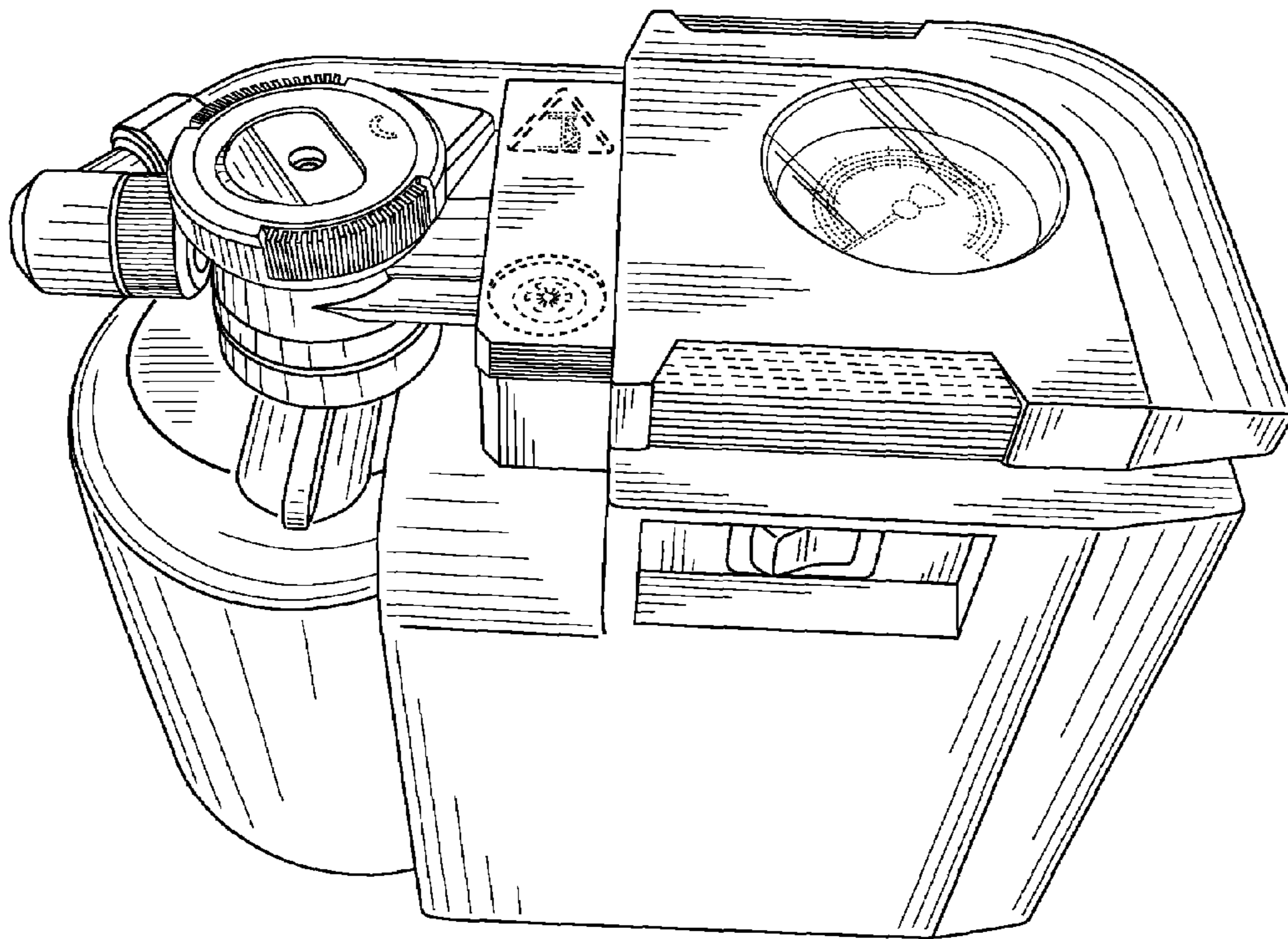


FIG. 2

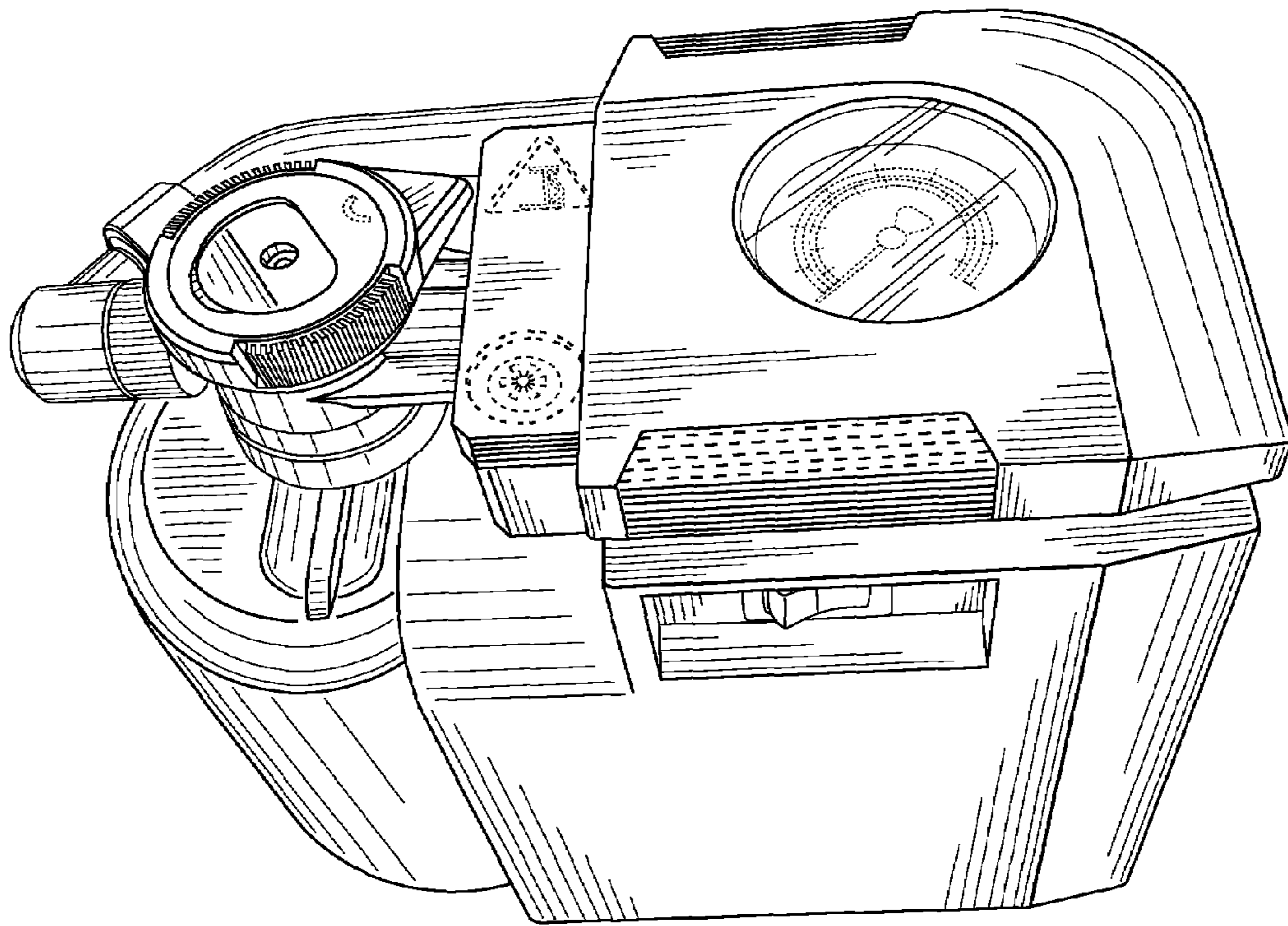


FIG. 3

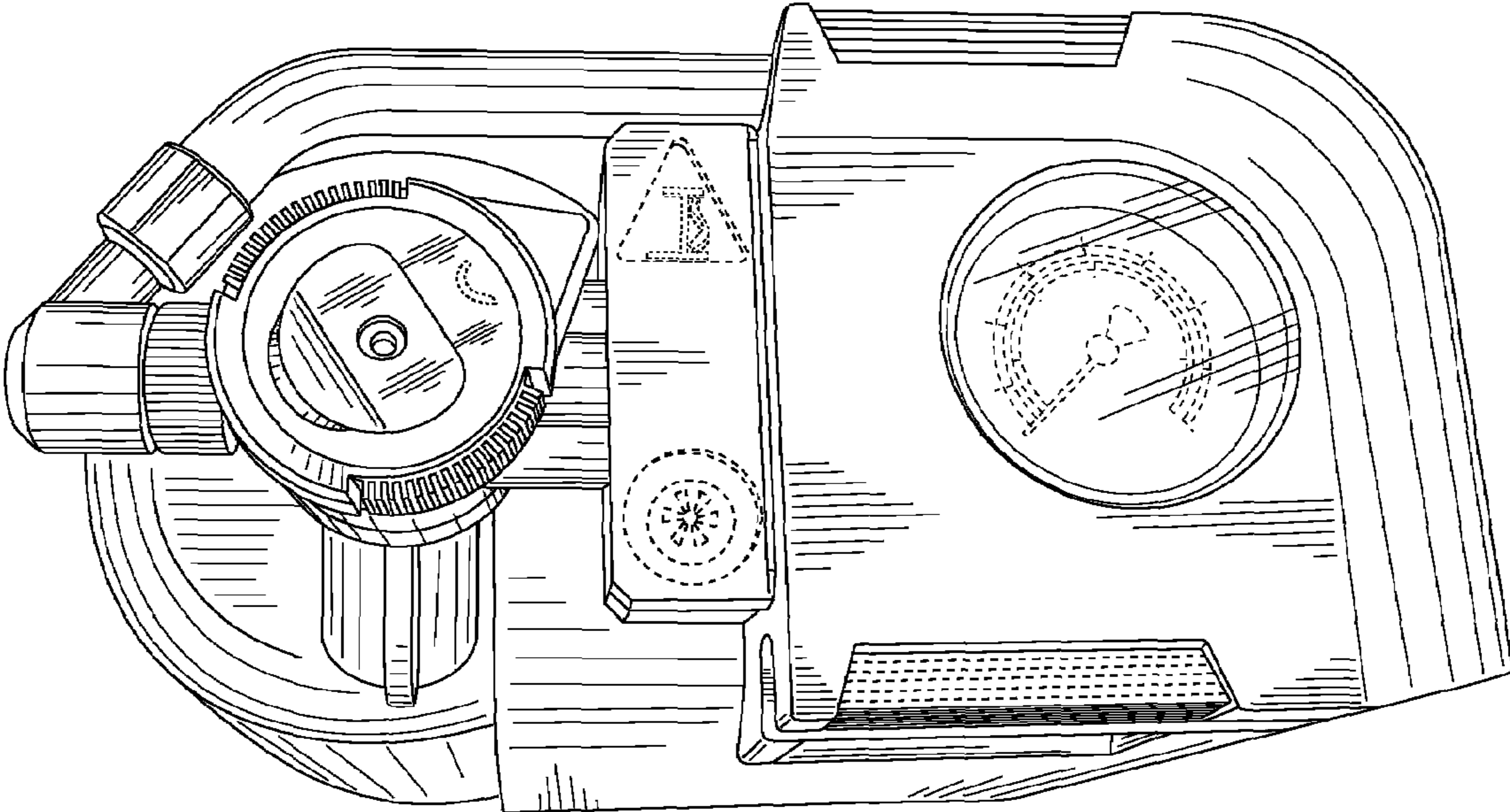


FIG. 4

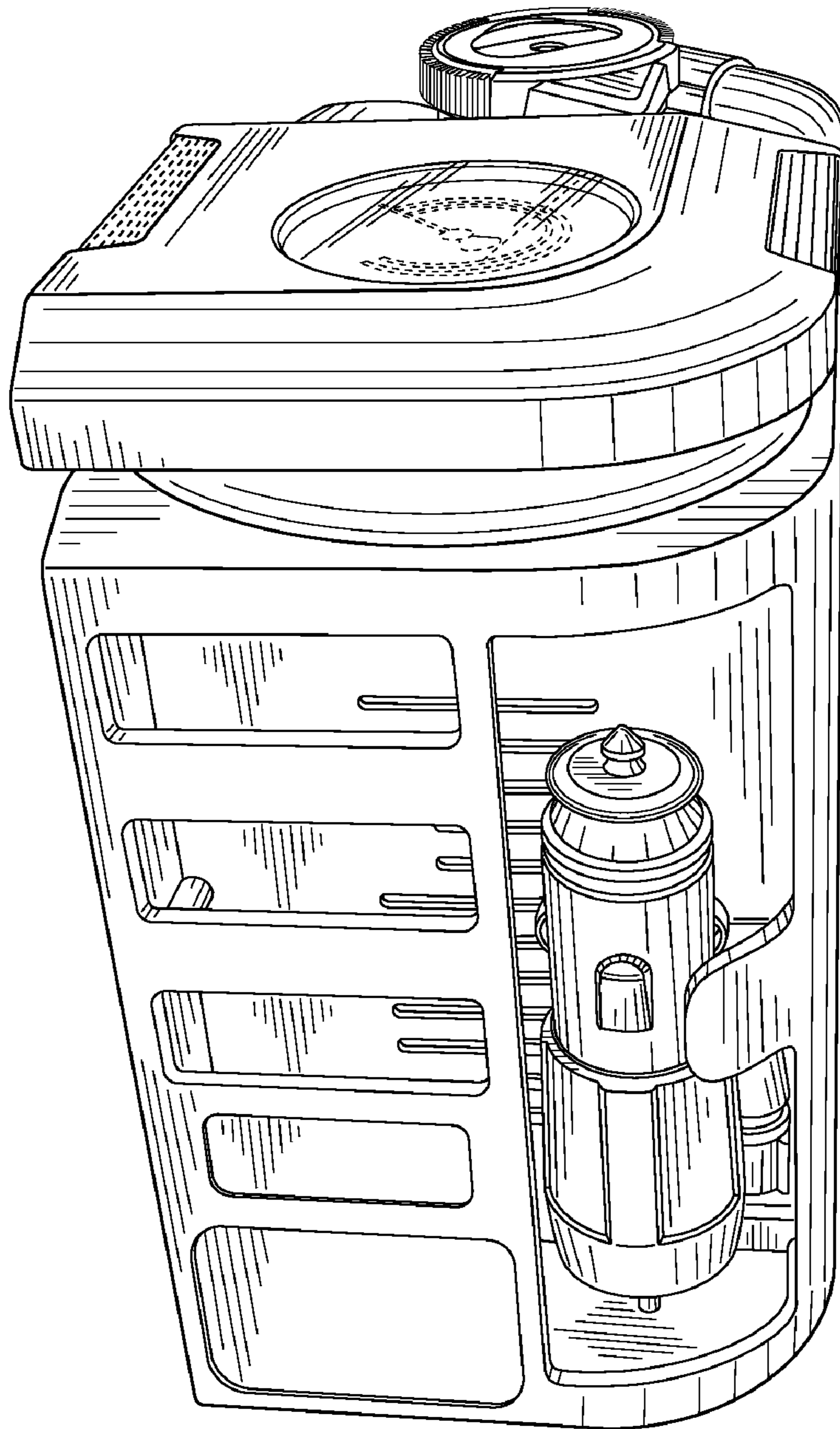


FIG. 5