



US00D597573S

(12) **United States Design Patent**
Lin et al.

(10) **Patent No.:** **US D597,573 S**

(45) **Date of Patent:** **** Aug. 4, 2009**

(54) **REDUCING MOTOR**

(75) Inventors: **Jin-Cheng Lin**, Taichung (TW);
Chia-Chun Wei, Taichung (TW)

(73) Assignee: **Hiwin Mikrosystem Corp.**, Taichung
(TW)

(**) Term: **14 Years**

(21) Appl. No.: **29/310,324**

(22) Filed: **Aug. 8, 2008**

(51) **LOC (9) Cl.** **15-09**

(52) **U.S. Cl.** **D15/149**

(58) **Field of Classification Search** D13/112-114,
D13/122, 199; D15/1, 5, 143, 148, 149,
D15/199; 74/66 R, 421 R; 310/10, 40 R,
310/42, 51, 58, 85, 91, 109, 236, 239, 254,
310/245, 255

See application file for complete search history.

(56) **References Cited**

U.S. PATENT DOCUMENTS

| | | | | | |
|-----------|-----|---------|---------------------|-------|----------|
| 3,771,381 | A * | 11/1973 | Holzhauser et al. | | 74/421 R |
| D245,498 | S * | 8/1977 | Andreas | | D13/112 |
| D269,014 | S * | 5/1983 | Tumidajewicz et al. | | D15/149 |
| D333,475 | S * | 2/1993 | Kuwada et al. | | D15/9.1 |
| 5,212,999 | A * | 5/1993 | Kitada | | 74/425 |
| D380,217 | S * | 6/1997 | Jermeay et al. | | D15/5 |
| D408,010 | S * | 4/1999 | Sato et al. | | D13/113 |
| D464,621 | S * | 10/2002 | Segawa | | D13/112 |

| | | | | | |
|-----------|------|---------|------------------|-------|----------|
| 6,463,829 | B2 * | 10/2002 | Torii et al. | | 74/606 R |
| D466,132 | S * | 11/2002 | Ricci et al. | | D15/1 |
| D488,484 | S * | 4/2004 | Fletcher | | D15/5 |
| D495,725 | S * | 9/2004 | Kwon | | D15/149 |
| 6,903,473 | B2 * | 6/2005 | Matsuyama et al. | | 310/71 |
| D527,740 | S * | 9/2006 | Ingwersen et al. | | D15/5 |
| D577,669 | S * | 9/2008 | Hornberger | | D13/112 |

* cited by examiner

Primary Examiner—Sandra Snapp

Assistant Examiner—Patricia Palasik

(74) *Attorney, Agent, or Firm*—Charles E. Baxley

(57) **CLAIM**

The ornamental design for a reducing motor, as shown and described.

DESCRIPTION

FIG. 1 is a perspective view of a reducing motor showing our new design thereof;

FIG. 2 is a front elevational view thereof;

FIG. 3 is a rear elevational view thereof;

FIG. 4 is a left side elevational view thereof;

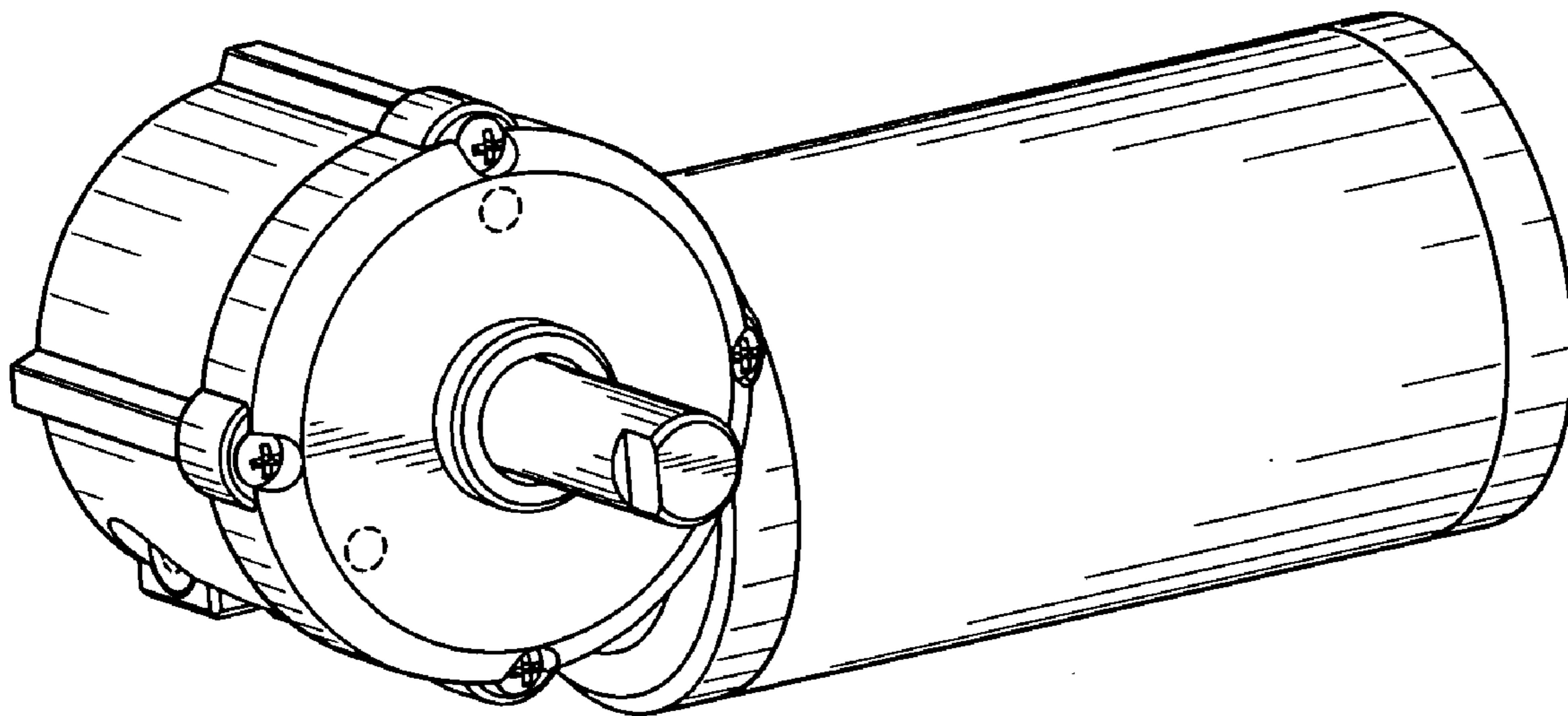
FIG. 5 is a right side elevational view thereof;

FIG. 6 is a top plan view thereof; and,

FIG. 7 is a bottom plan view thereof.

The broken lines in the drawings depict unclaimed environmental subject matter.

1 Claim, 4 Drawing Sheets



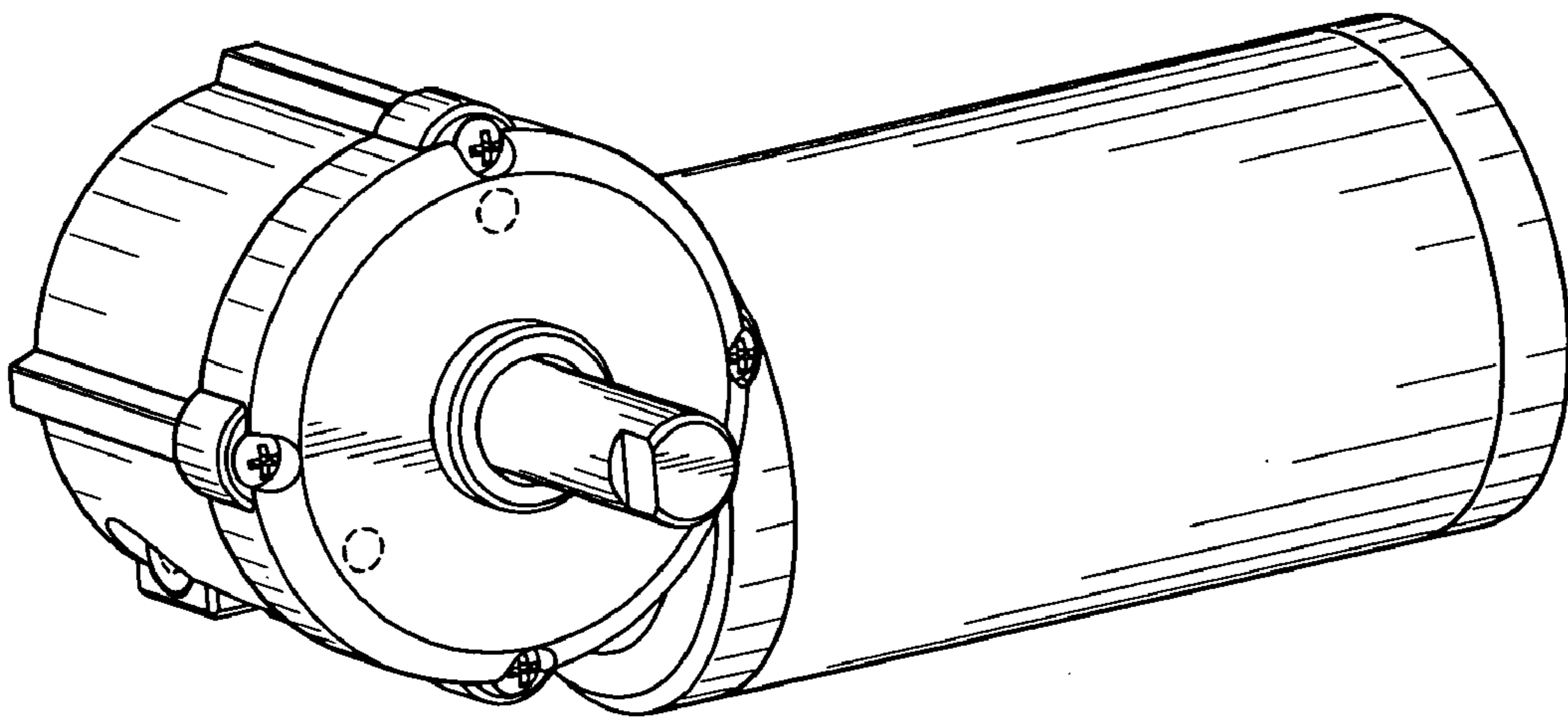


FIG. 1

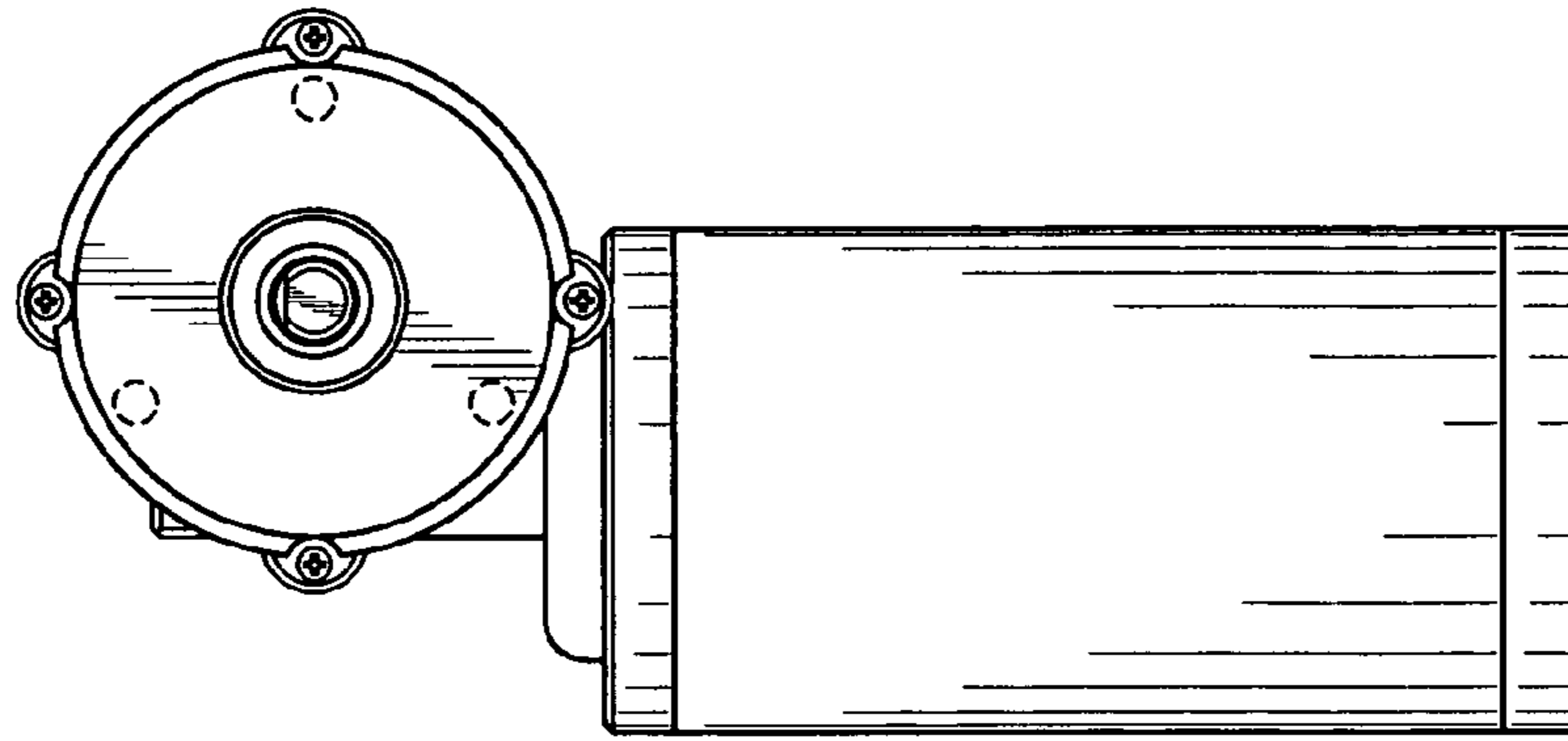


FIG. 2

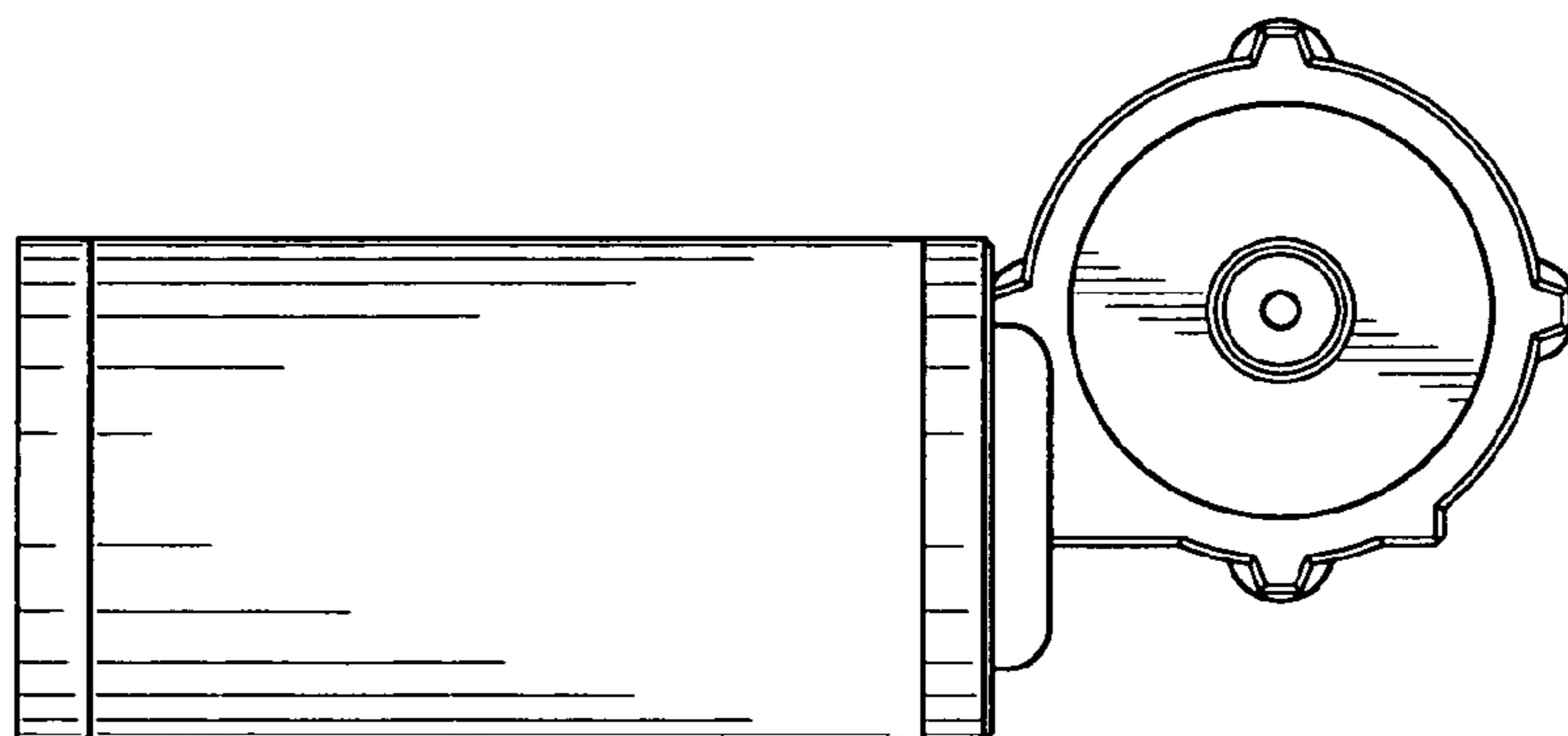


FIG. 3

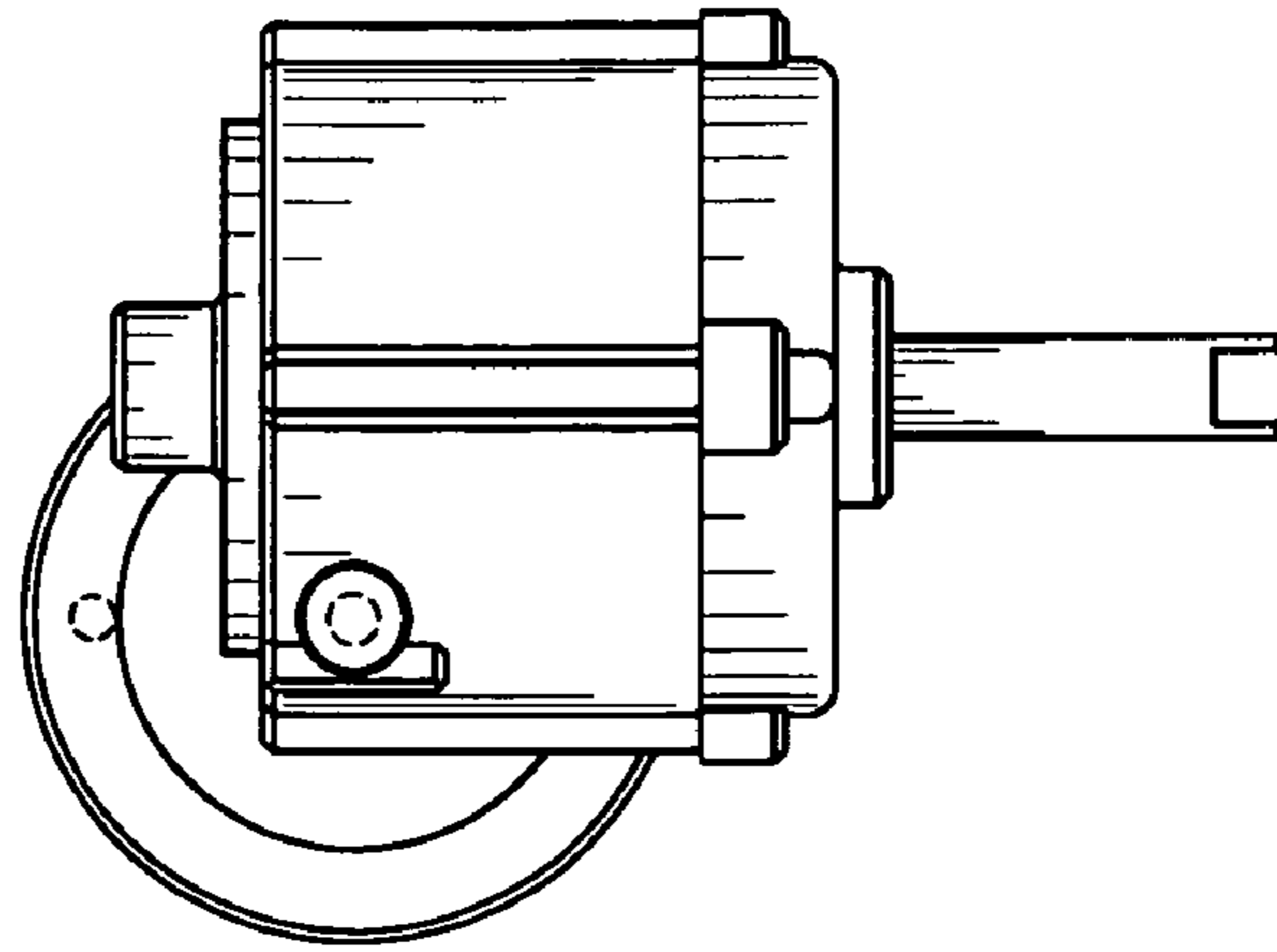


FIG. 4

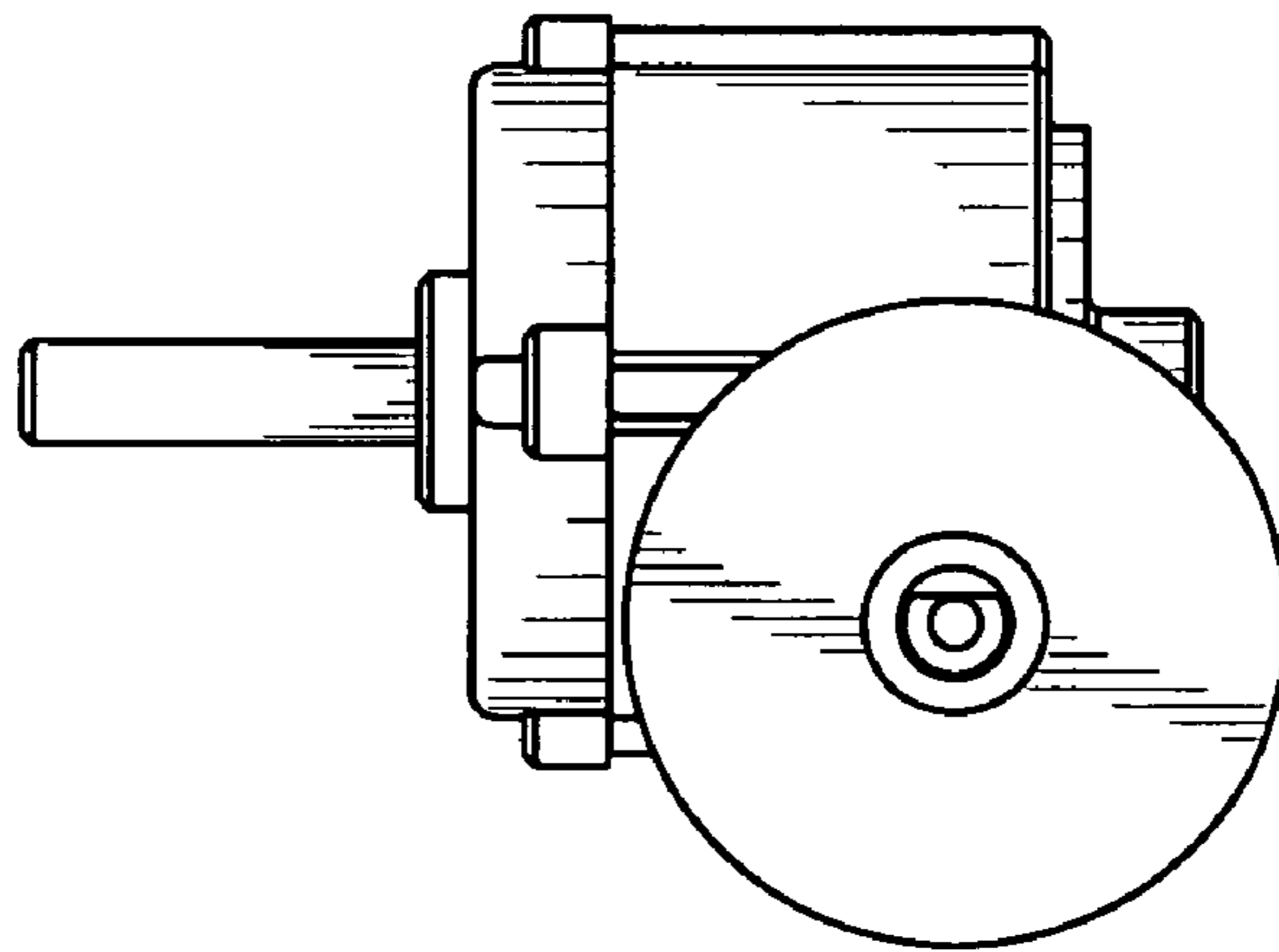


FIG. 5

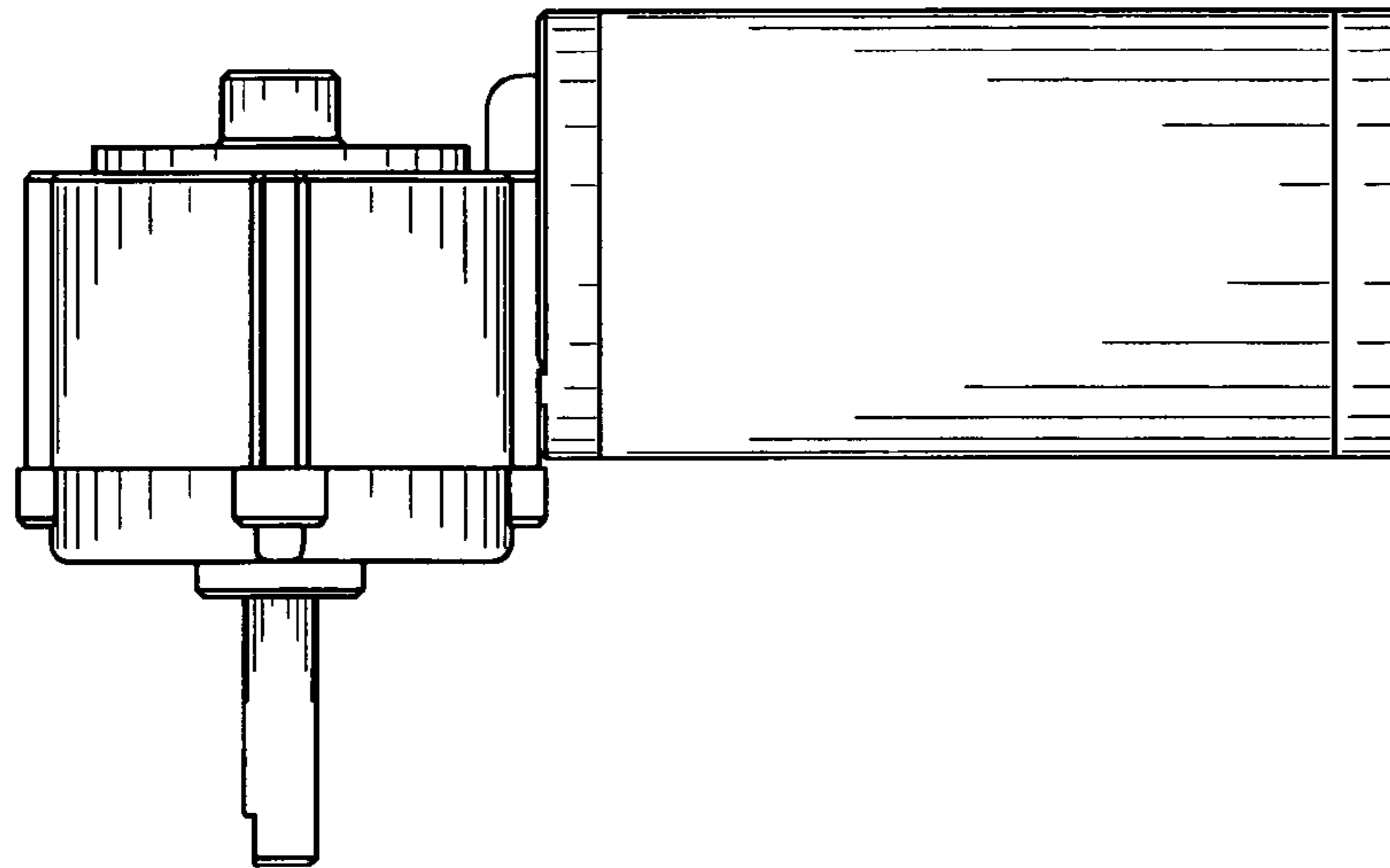


FIG. 6

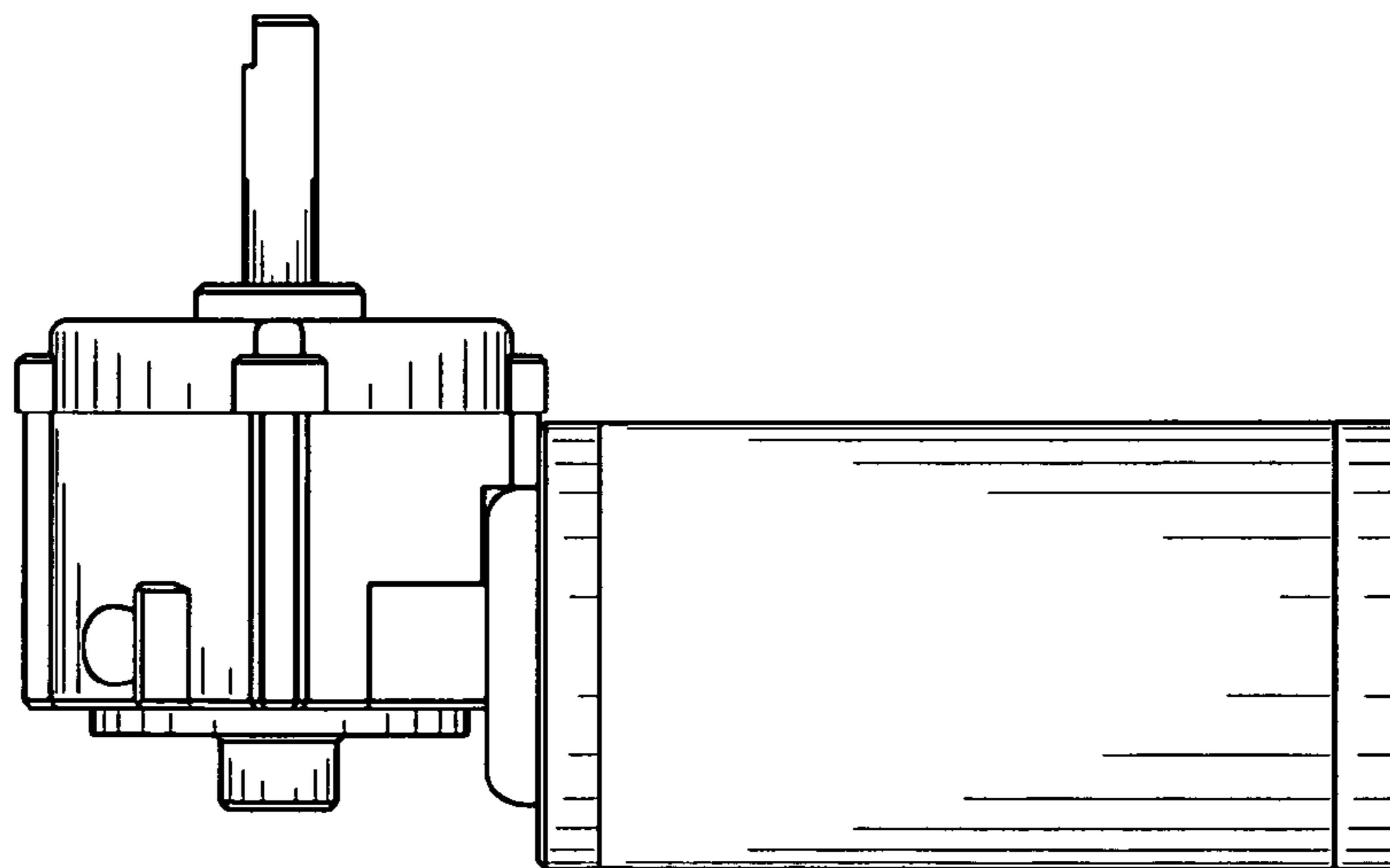


FIG. 7