



US00D597572S

(12) **United States Design Patent**
Tsai

(10) **Patent No.:** **US D597,572 S**

(45) **Date of Patent:** **** Aug. 4, 2009**

(54) **PORTABLE HEAT SEALING MACHINE**

(76) **Inventor:** **Mao Bang Tsai**, Jidali Industrial Zone,
Gonghe Village, Shajing Town, Baoan,
Shenzhen City, Guangdong (CN)

(**) **Term:** **14 Years**

(21) **Appl. No.:** **29/327,735**

(22) **Filed:** **Nov. 12, 2008**

(51) **LOC (9) Cl.** **15-99**

(52) **U.S. Cl.** **D15/146**

(58) **Field of Classification Search** D8/49,
D8/50, 105; D15/144, 145, 146; 53/373,
53/374.8, 374.9, 390, 405, 432-434, 510-512,
53/DIG. 2; 156/497, 515, 583.1-583.91;
219/227, 229, 230, 233, 240, 243

See application file for complete search history.

(56) **References Cited**

U.S. PATENT DOCUMENTS

D233,066	S	*	10/1974	Bair	D15/146
3,847,712	A	*	11/1974	Hubbard	156/515
D249,526	S	*	9/1978	Kishida	D15/146
D301,238	S	*	5/1989	Makihara	D15/146
D342,532	S	*	12/1993	Deni	D15/146
5,352,323	A	*	10/1994	Chi	156/583.9
D436,970	S	*	1/2001	Choi	D15/136
D454,894	S	*	3/2002	Chou	D15/146
D506,214	S	*	6/2005	Zepter	D15/146
D515,601	S	*	2/2006	Sholzberg et al.	D15/146
D536,355	S	*	2/2007	Levsen et al.	D15/146
D542,315	S	*	5/2007	Chang	D15/146

D579,034 S * 10/2008 Chang D15/146

* cited by examiner

Primary Examiner—Sandra Snapp

Assistant Examiner—Patricia Palasik

(74) *Attorney, Agent, or Firm*—Rabin & Berdo, P.C.

(57) **CLAIM**

The ornamental design for a portable heat sealing machine, as shown as described.

DESCRIPTION

FIG. 1 is a perspective view of a portable heat sealing machine, showing my new design;

FIG. 2 is a front view thereof;

FIG. 3 is a rear view thereof;

FIG. 4 is a left side view thereof;

FIG. 5 is a right side view thereof;

FIG. 6 is top view thereof;

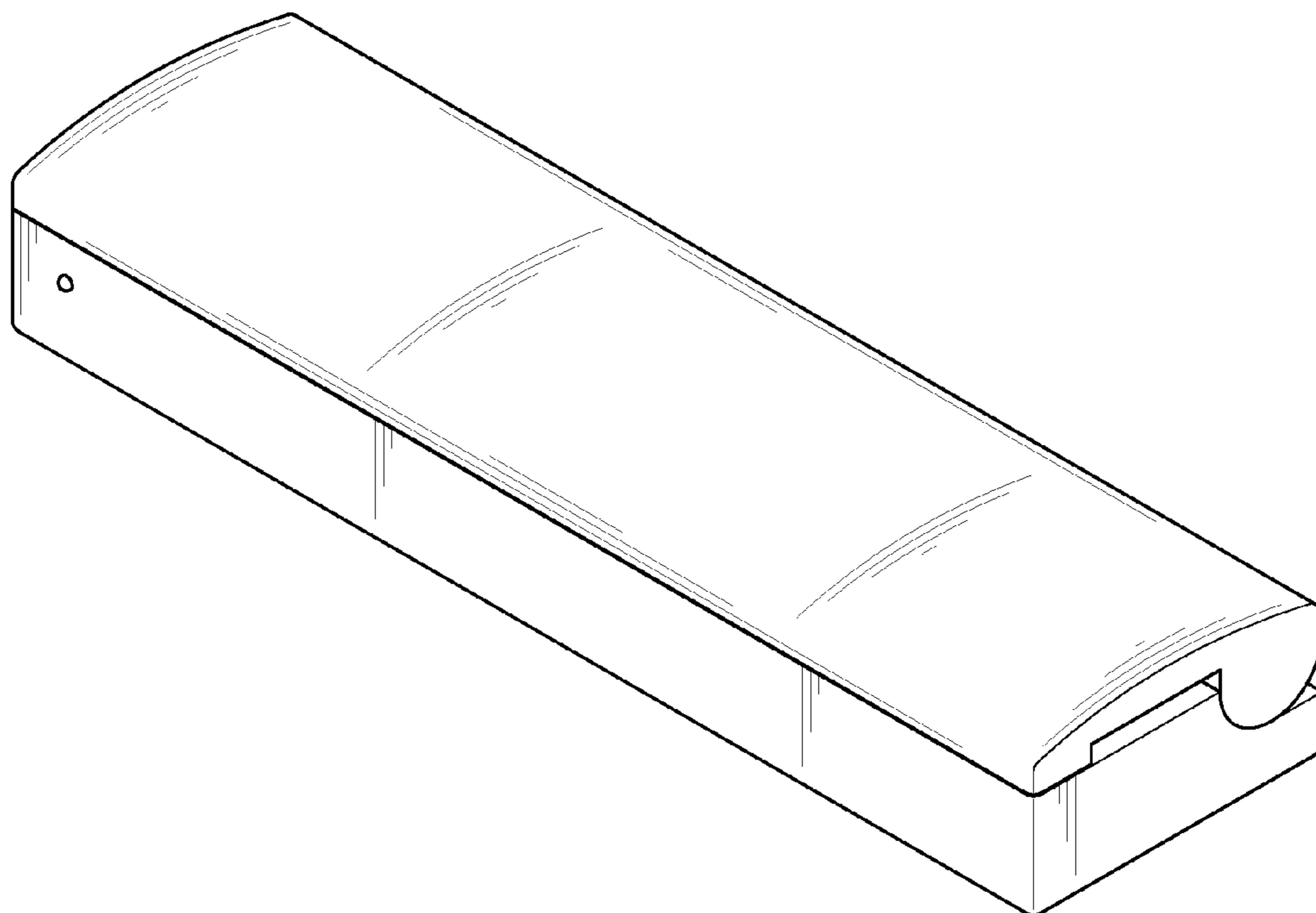
FIG. 7 is a bottom view thereof;

FIG. 8 is a referential perspective view thereof with a suction pads attached to the bottom of the portable heat sealing machine; and,

FIG. 9 is a referential perspective view thereof with a detachable holder with an adhesive tape attached to the bottom of the portable heat sealing machine.

The broken line showing of environmental structures is for illustrative purposes only and forms no part of the claimed design.

1 Claim, 9 Drawing Sheets



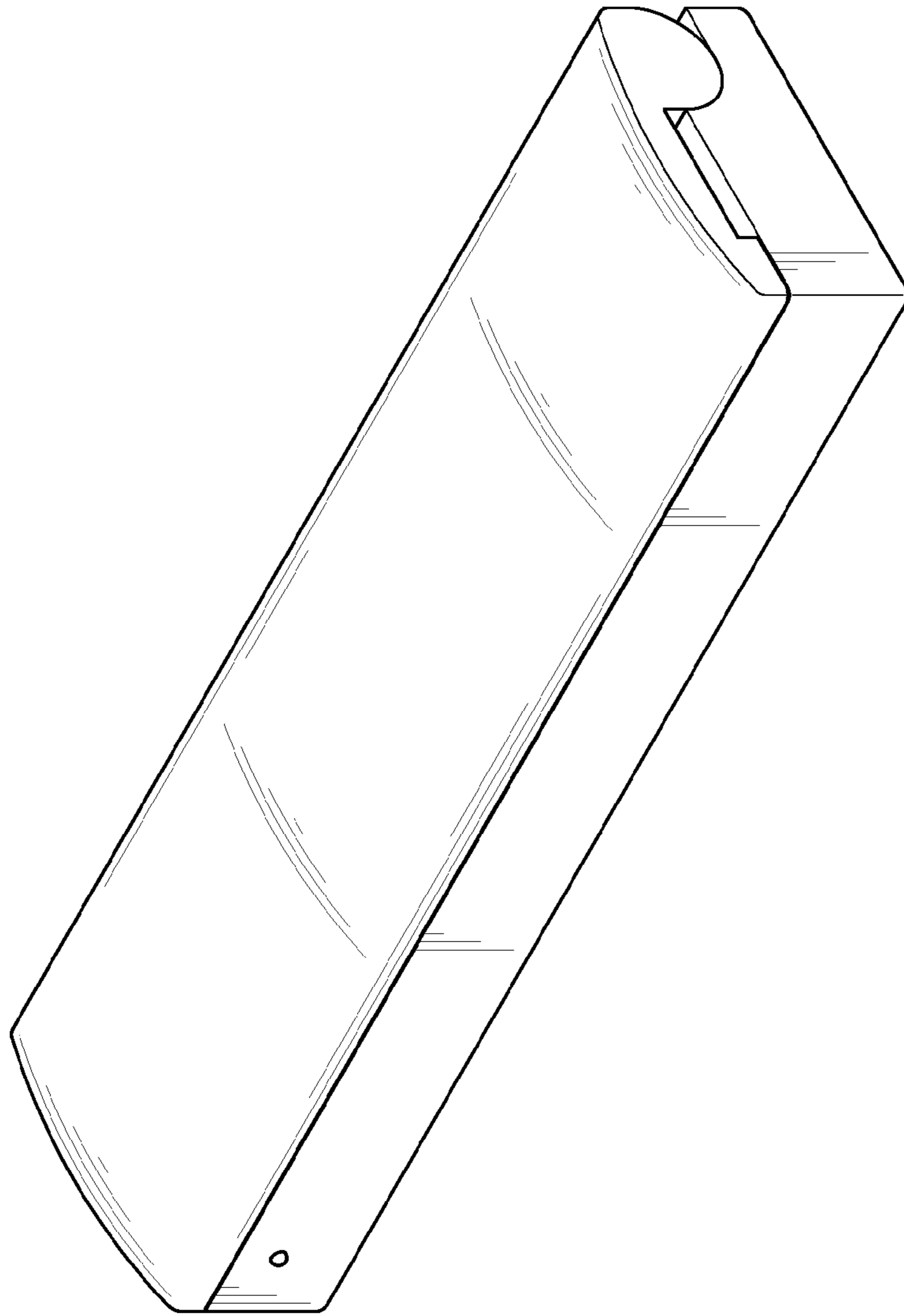


FIG. 1

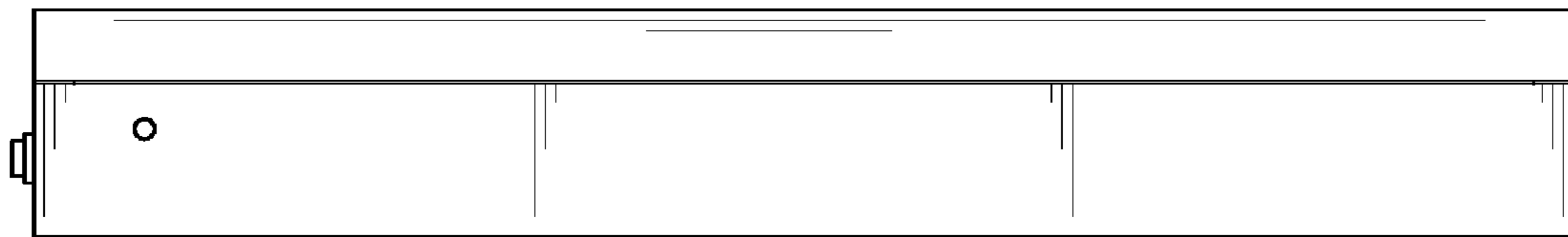


FIG. 2

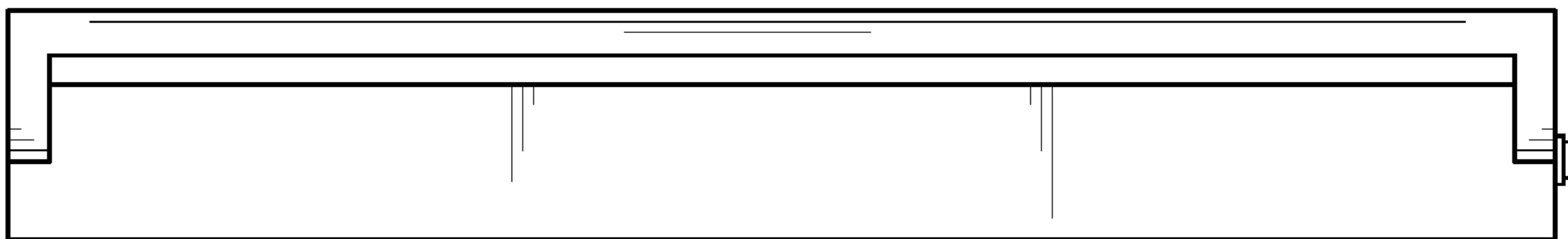


FIG. 3

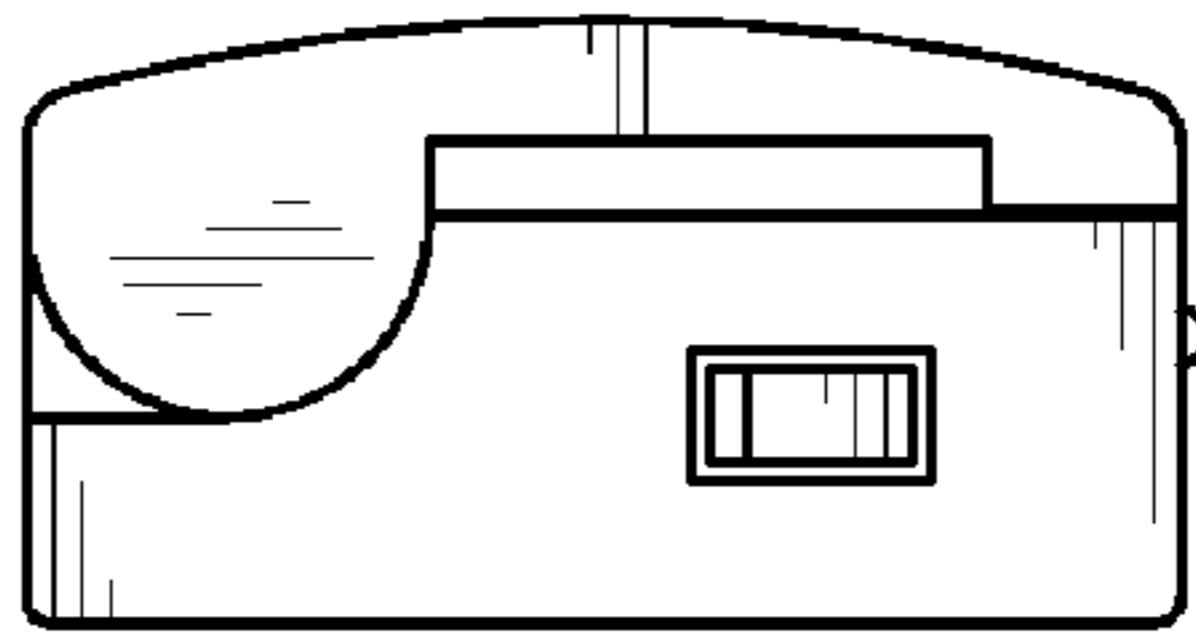


FIG. 4

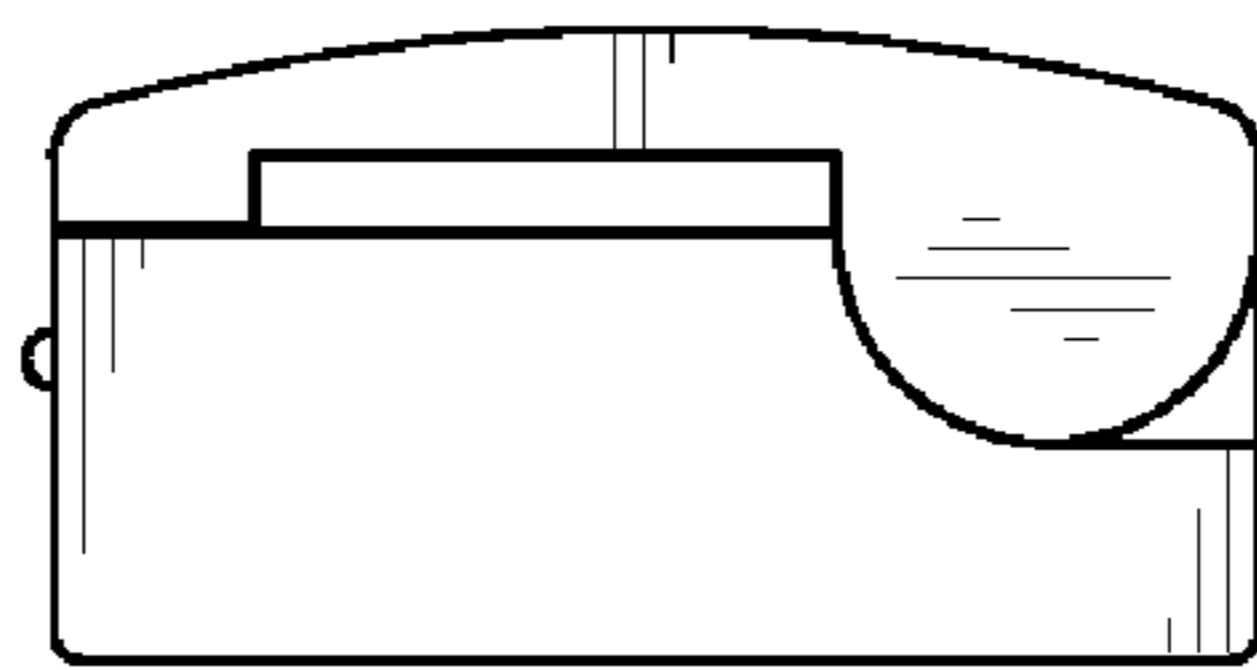


FIG. 5

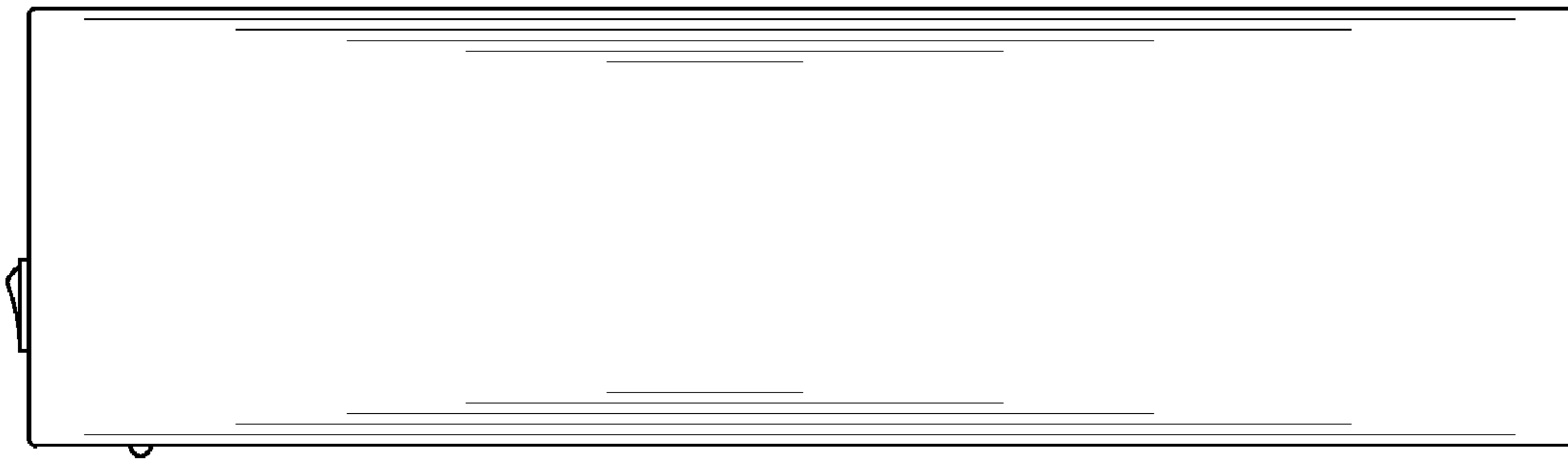


FIG. 6

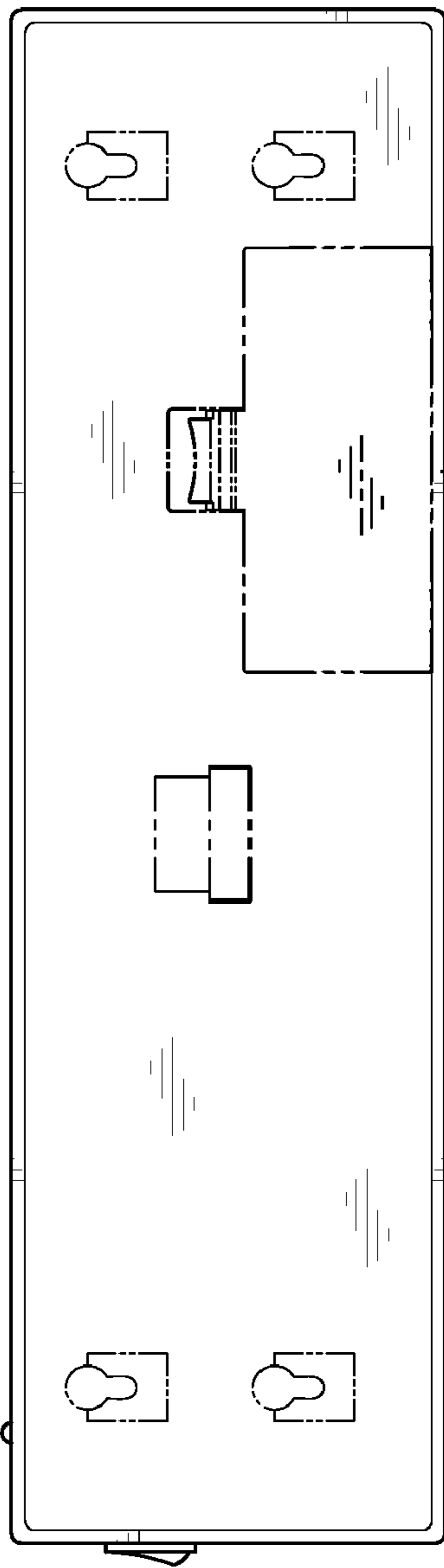


FIG. 7

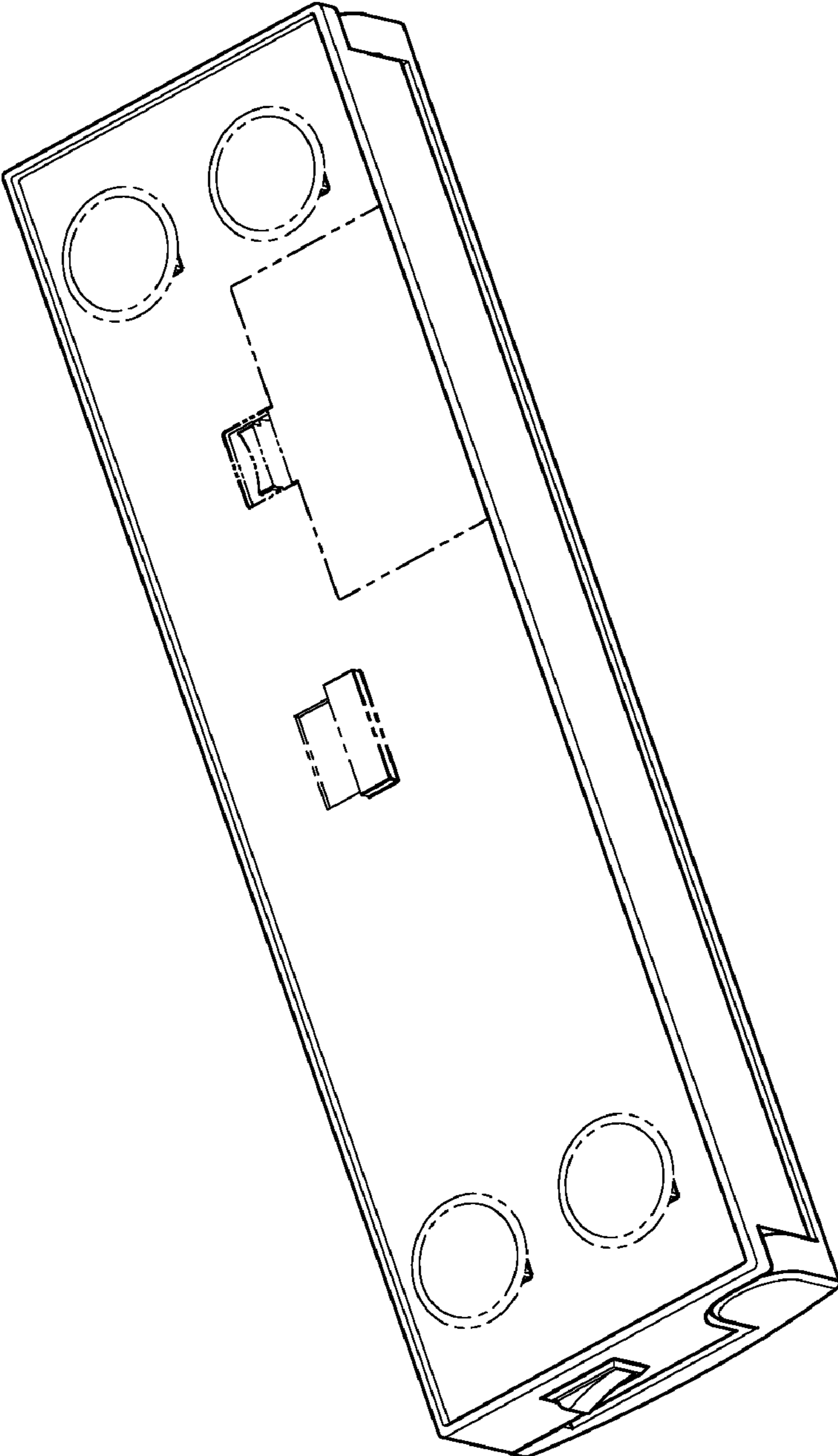


FIG. 8

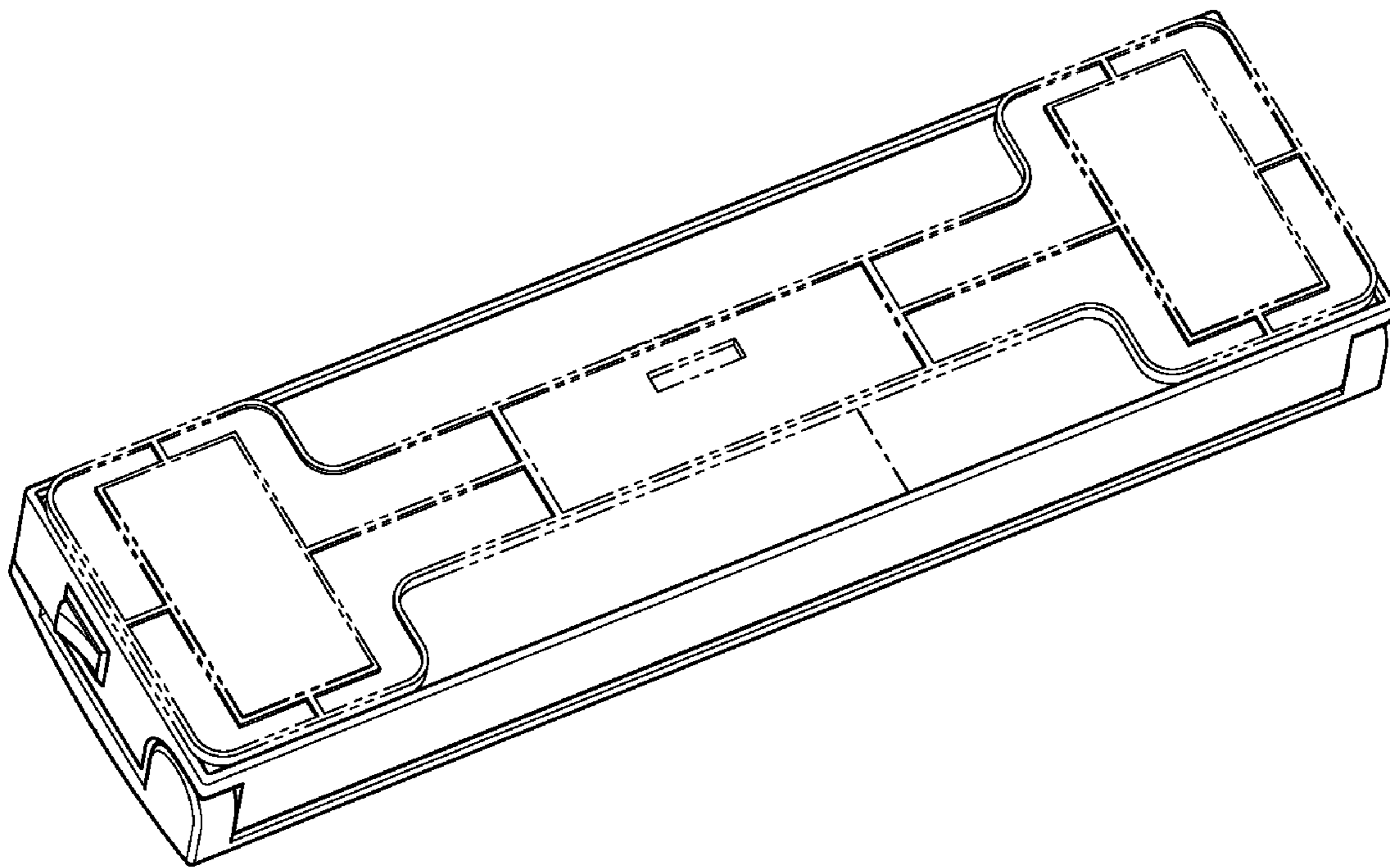


FIG. 9