



US00D597571S

(12) **United States Design Patent**
Darr

(10) **Patent No.:** **US D597,571 S**
(45) **Date of Patent:** **** Aug. 4, 2009**

(54) **PORTABLE DRILL ATTACHMENT FOR USE WITH A PILOT WHEEL CRANK HANDLE**

(76) Inventor: **Raleigh Darr**, 1263 Main St., Space 23, Springfield, OR (US) 97477

(**) Term: **14 Years**

(21) Appl. No.: **29/331,981**

(22) Filed: **Feb. 6, 2009**

(51) **LOC (9) Cl.** **15-09**

(52) **U.S. Cl.** **D15/139**

(58) **Field of Classification Search** D8/70,
D8/71; D15/138, 139, 140; 279/1, 19.3-19.6,
279/22, 30, 60-66, 75, 143, 145, 157, 175,
279/901, 902, 908; 408/144, 226, 239 A;
411/414, 416

See application file for complete search history.

(56) **References Cited**

U.S. PATENT DOCUMENTS

- 4,296,656 A * 10/1981 Ernst 81/429
- D262,938 S * 2/1982 Schulze D8/70
- D276,879 S * 12/1984 Bell D8/70
- D293,914 S * 1/1988 Hudson D15/139
- 4,984,489 A 1/1991 Krauthamer
- D353,315 S * 12/1994 Romeo D8/70
- D355,428 S * 2/1995 Hatcher D15/139
- D376,084 S * 12/1996 Karvinen D8/70
- D379,420 S * 5/1997 Standlee et al. D8/70
- 5,897,121 A 4/1999 Case
- D410,367 S * 6/1999 Applegate et al. D8/27

- D416,267 S * 11/1999 Reilly D15/139
- 6,010,154 A 1/2000 Payne et al.
- 6,477,924 B1 * 11/2002 Talbot 81/124.2
- 6,526,850 B1 3/2003 Miller
- D479,253 S * 9/2003 Chen D15/140
- 6,715,384 B1 * 4/2004 Kozak 81/124.2
- 6,901,825 B1 6/2005 Lebron
- D530,729 S * 10/2006 Cook D15/140
- D544,007 S 6/2007 Marasco
- D585,916 S * 2/2009 Greenleaf D15/128
- 2007/0012143 A1 1/2007 Tracy
- 2008/0069651 A1 * 3/2008 Kammermeier et al. 407/54

* cited by examiner

Primary Examiner—Sandra Snapp
Assistant Examiner—Patricia Palasik
(74) *Attorney, Agent, or Firm*—Kyle Fletcher

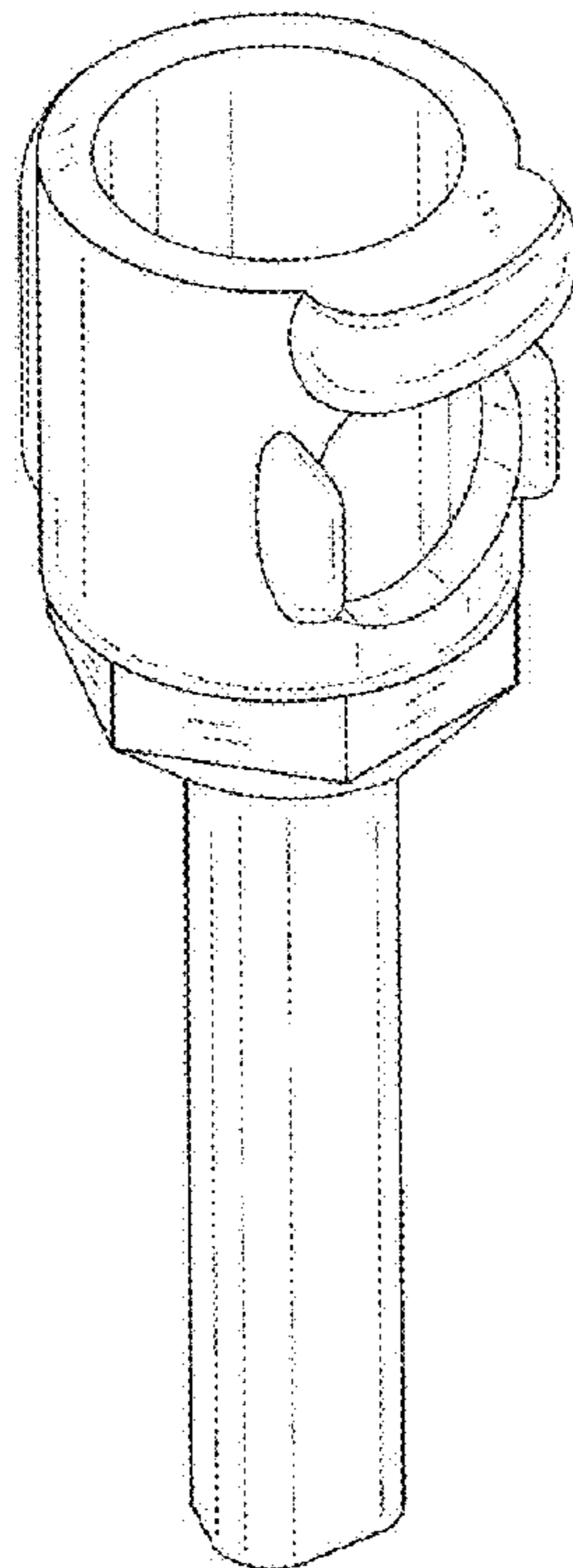
(57) **CLAIM**

The ornamental design for the portable drill attachment for use with a pilot wheel crank handle, as shown and described.

DESCRIPTION

- FIG. 1 is a front view of the device.
- FIG. 2 is a rear view of the device.
- FIG. 3 is a side view of the device.
- FIG. 4 is a top view of the device.
- FIG. 5 is a bottom view of the device; and,
- FIG. 6 is an isometric view of the device.

1 Claim, 3 Drawing Sheets



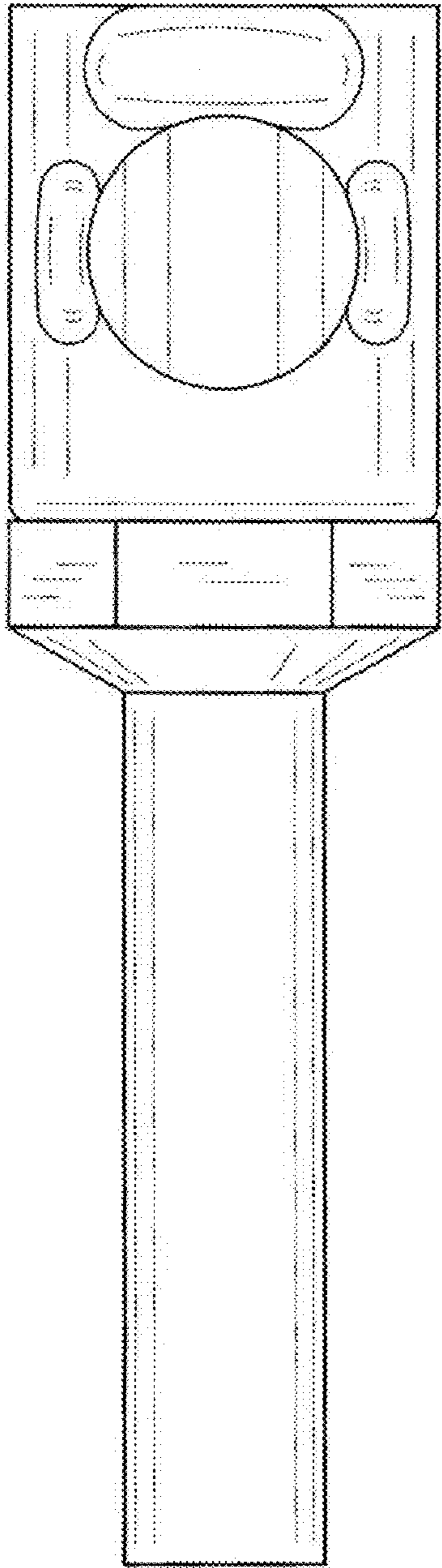


FIG. 1

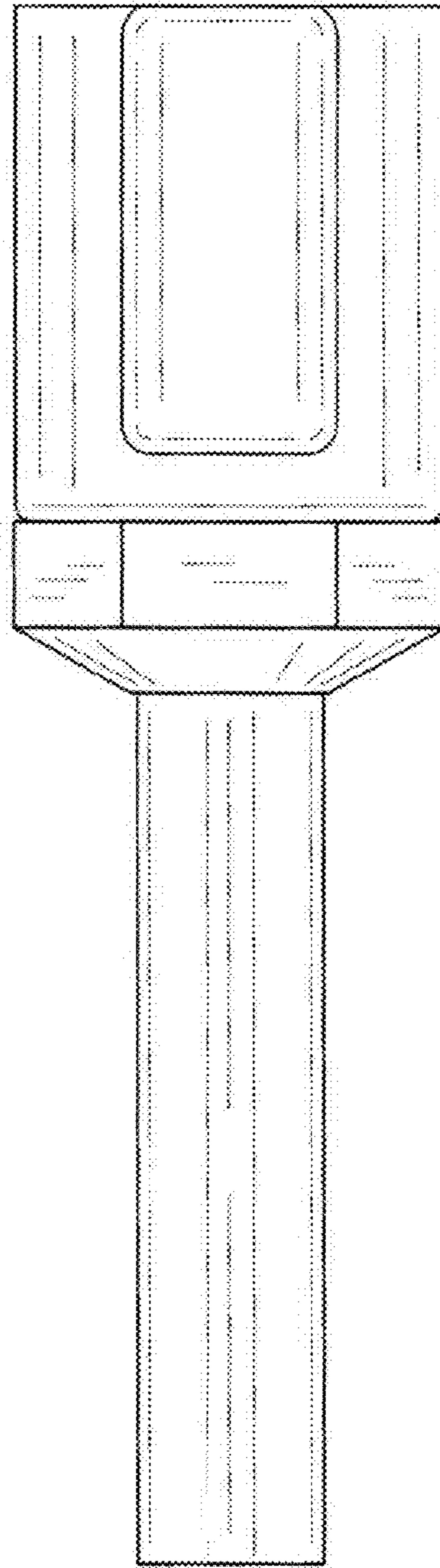


FIG. 2

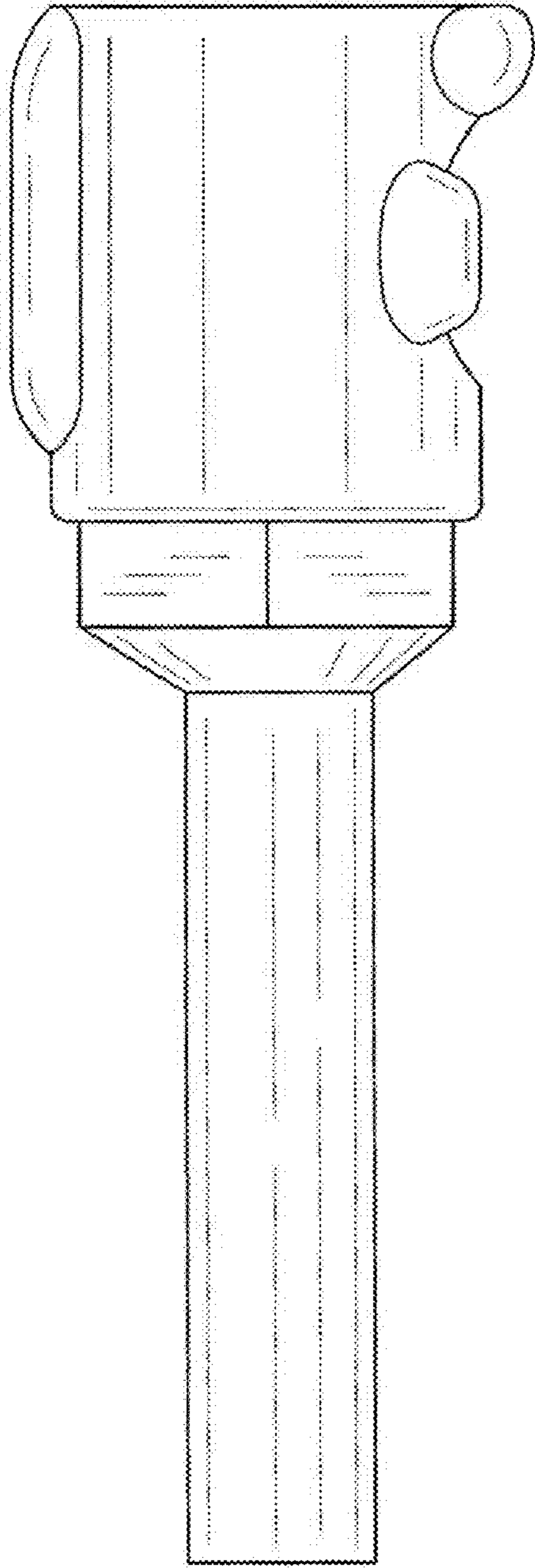


FIG. 3

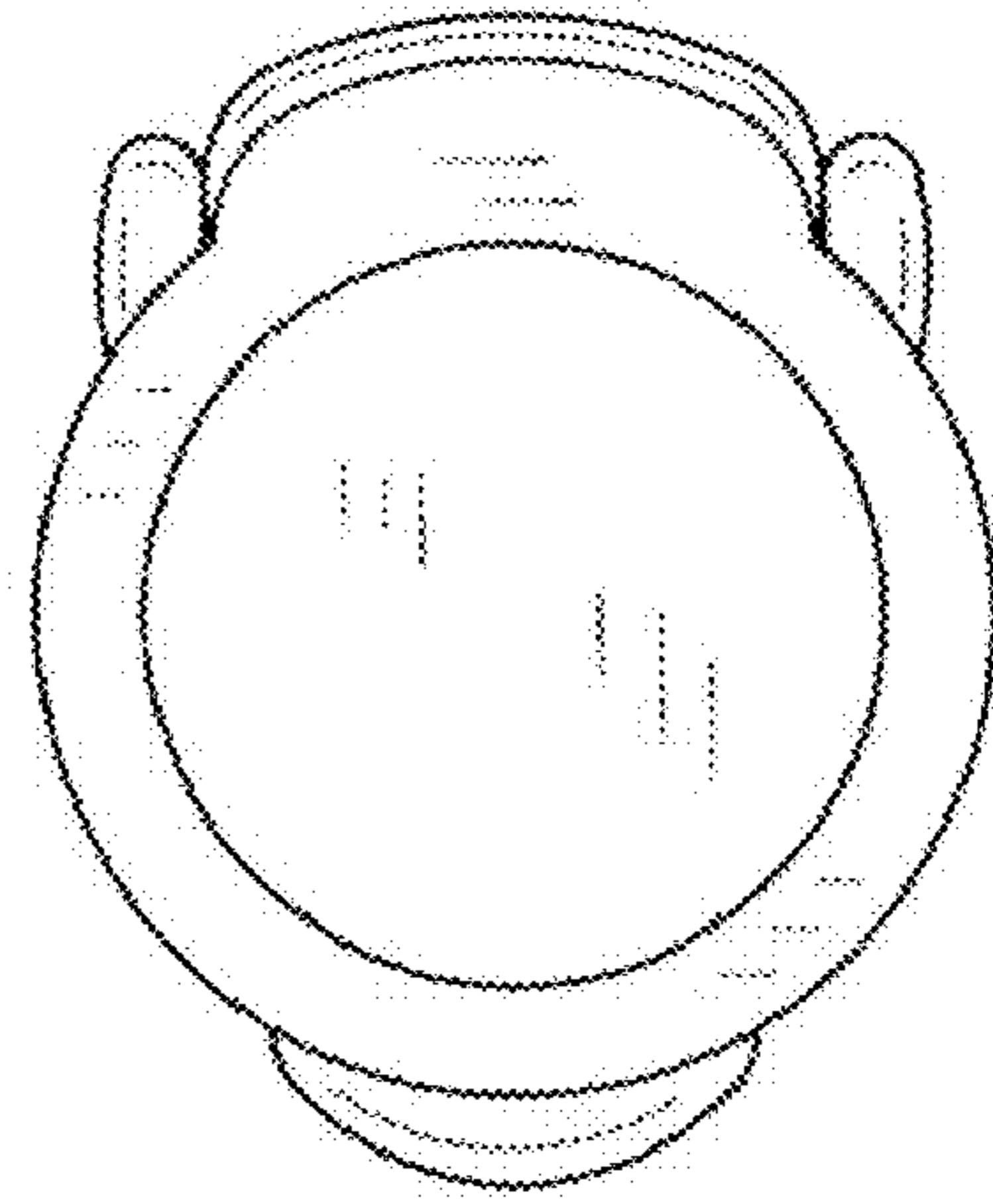


FIG. 4

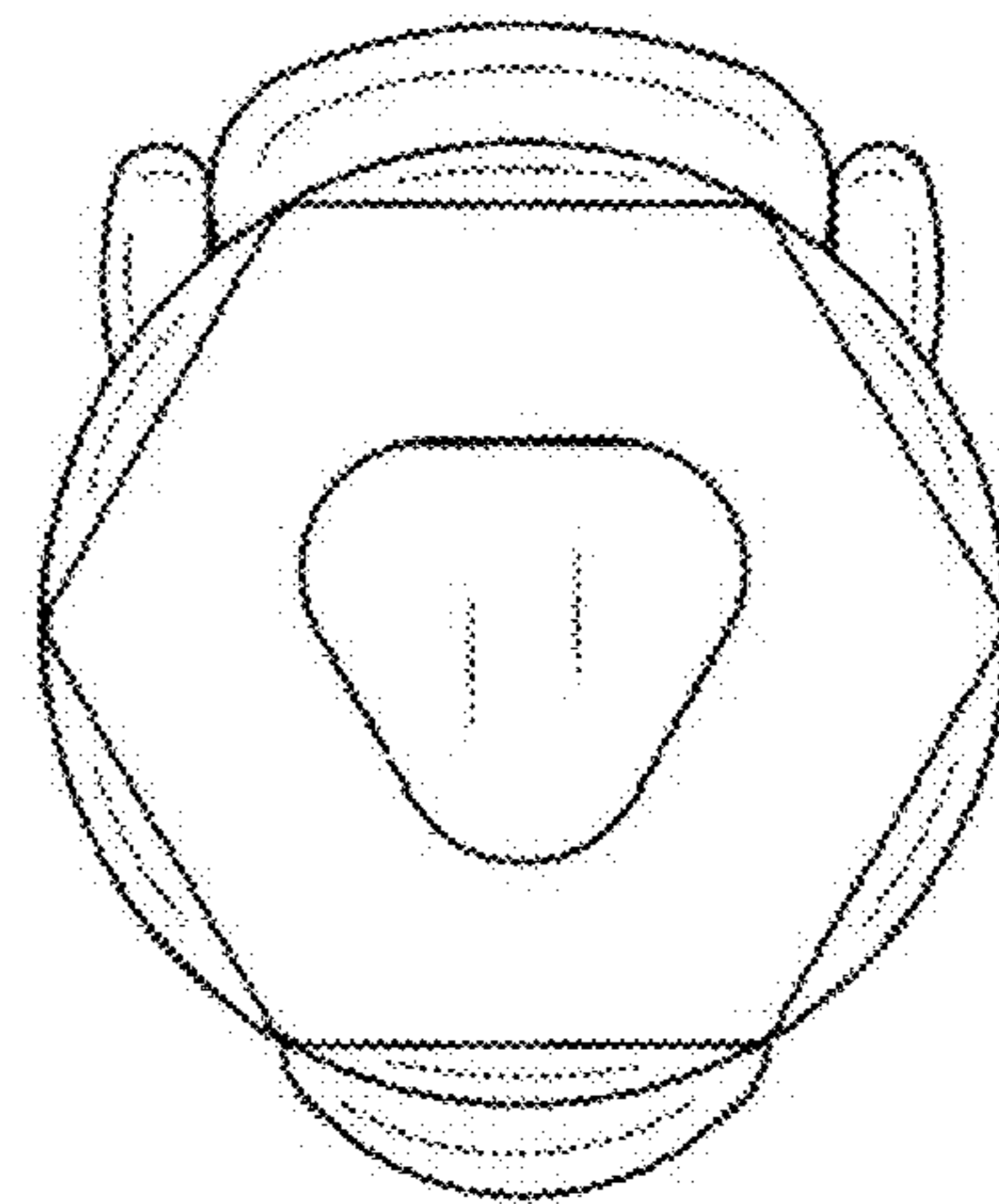


FIG. 5

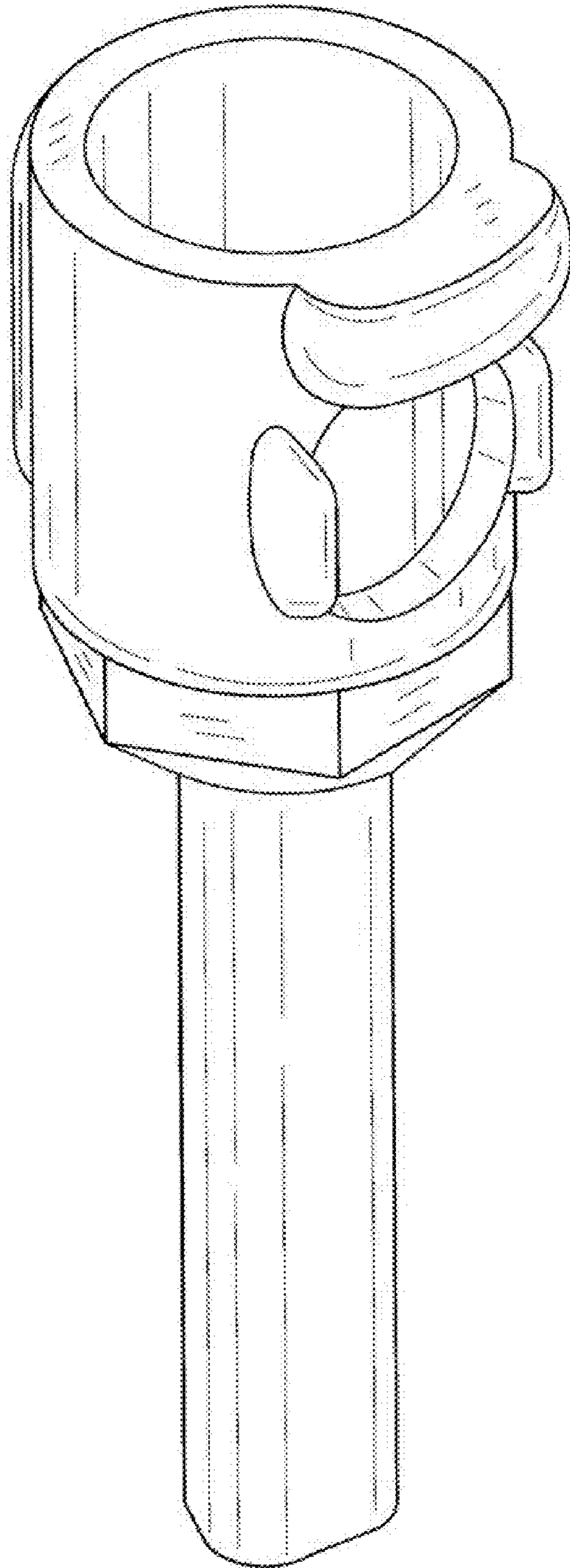


FIG. 6