

US00D597569S

(12) **United States Design Patent**
Sasaki et al.

(10) **Patent No.:** **US D597,569 S**

(45) **Date of Patent:** **** Aug. 4, 2009**

(54) **MITER SAW**

(75) Inventors: **Katsuhiko Sasaki**, Anjo (JP); **Masahiko Inai**, Anjo (JP)

(73) Assignee: **Makita Corporation**, Anjo (JP)

(**) Term: **14 Years**

(21) Appl. No.: **29/311,285**

(22) Filed: **Feb. 9, 2009**

(30) **Foreign Application Priority Data**

Aug. 20, 2008 (JP) D2008-021253

(51) **LOC (9) Cl.** **15-09**

(52) **U.S. Cl.** **D15/133**

(58) **Field of Classification Search** D8/67,
D8/69; D15/133; 30/377-378, 388-391,
30/517-525; 83/471.2-471.3, 477.1-477.2
See application file for complete search history.

(56) **References Cited**

U.S. PATENT DOCUMENTS

- D420,370 S * 2/2000 Shibata et al. D15/133
- D424,072 S * 5/2000 Shibata et al. D15/133
- D478,103 S 8/2003 Kani et al.
- D487,754 S * 3/2004 Kao D15/133
- 6,758,122 B2 * 7/2004 Kao 83/379
- D513,271 S * 12/2005 Ozawa et al. D15/133

- D566,142 S * 4/2008 Gavins D15/133
- 2007/0074611 A1 * 4/2007 Hu 83/471.2
- 2008/0210074 A1 * 9/2008 Higuchi 83/471.3
- 2008/0216627 A1 * 9/2008 Taylor et al. 83/468.3

* cited by examiner

Primary Examiner—Sandra Snapp

Assistant Examiner—Patricia Palasik

(74) *Attorney, Agent, or Firm*—Oliff & Berridge, PLC

(57) **CLAIM**

The ornamental design for a miter saw, as shown and described.

DESCRIPTION

FIG. 1 is a perspective view of top, front and right side of a miter saw showing our new design;

FIG. 2 is a front view thereof;

FIG. 3 is a rear view thereof;

FIG. 4 is a top plan view thereof;

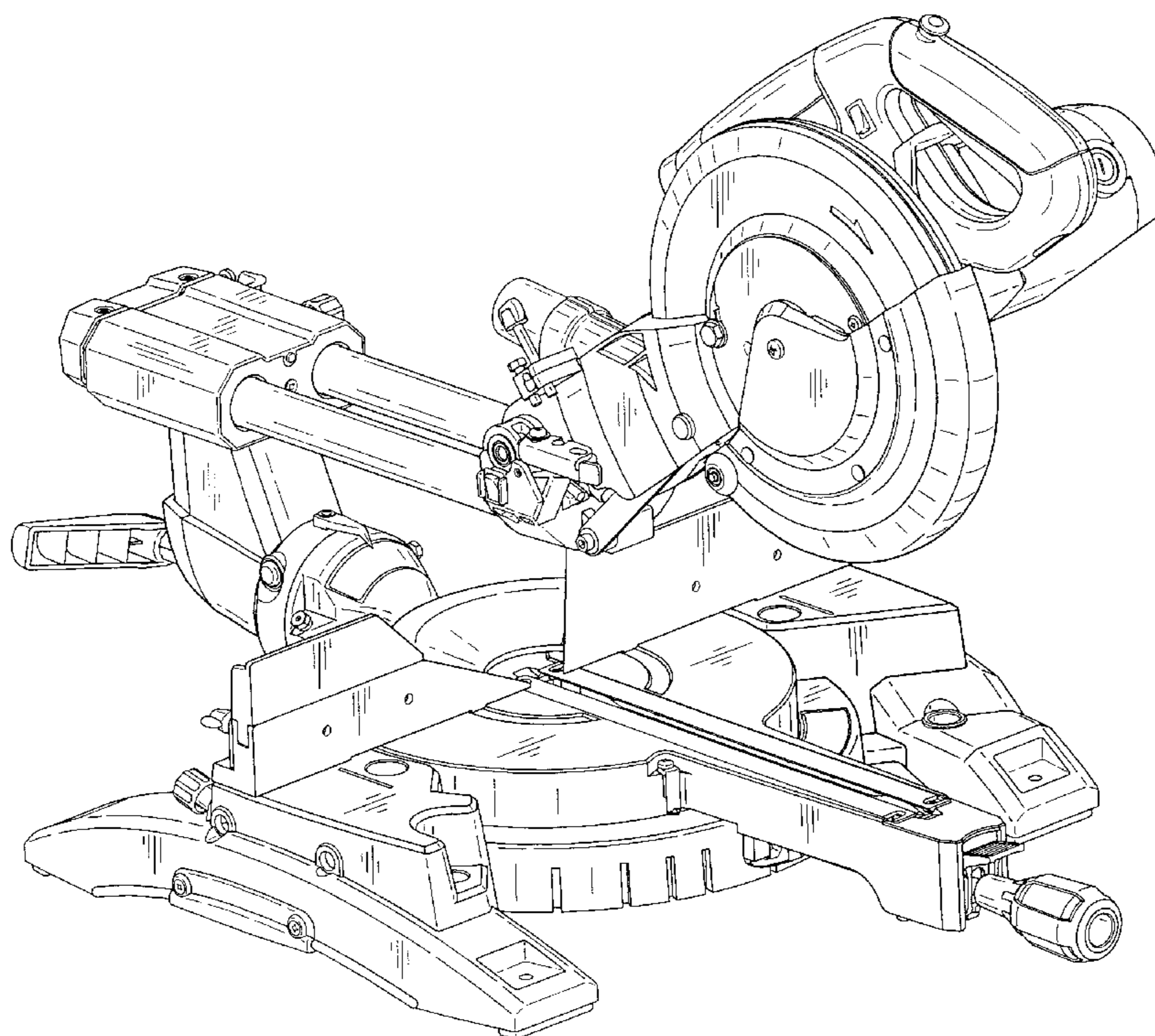
FIG. 5 is a bottom plan view thereof;

FIG. 6 is a left side view thereof; and,

FIG. 7 is a right side view thereof.

The portions of the article in broken lines are shown for illustrative purposes only and form no part of the claimed design.

1 Claim, 7 Drawing Sheets



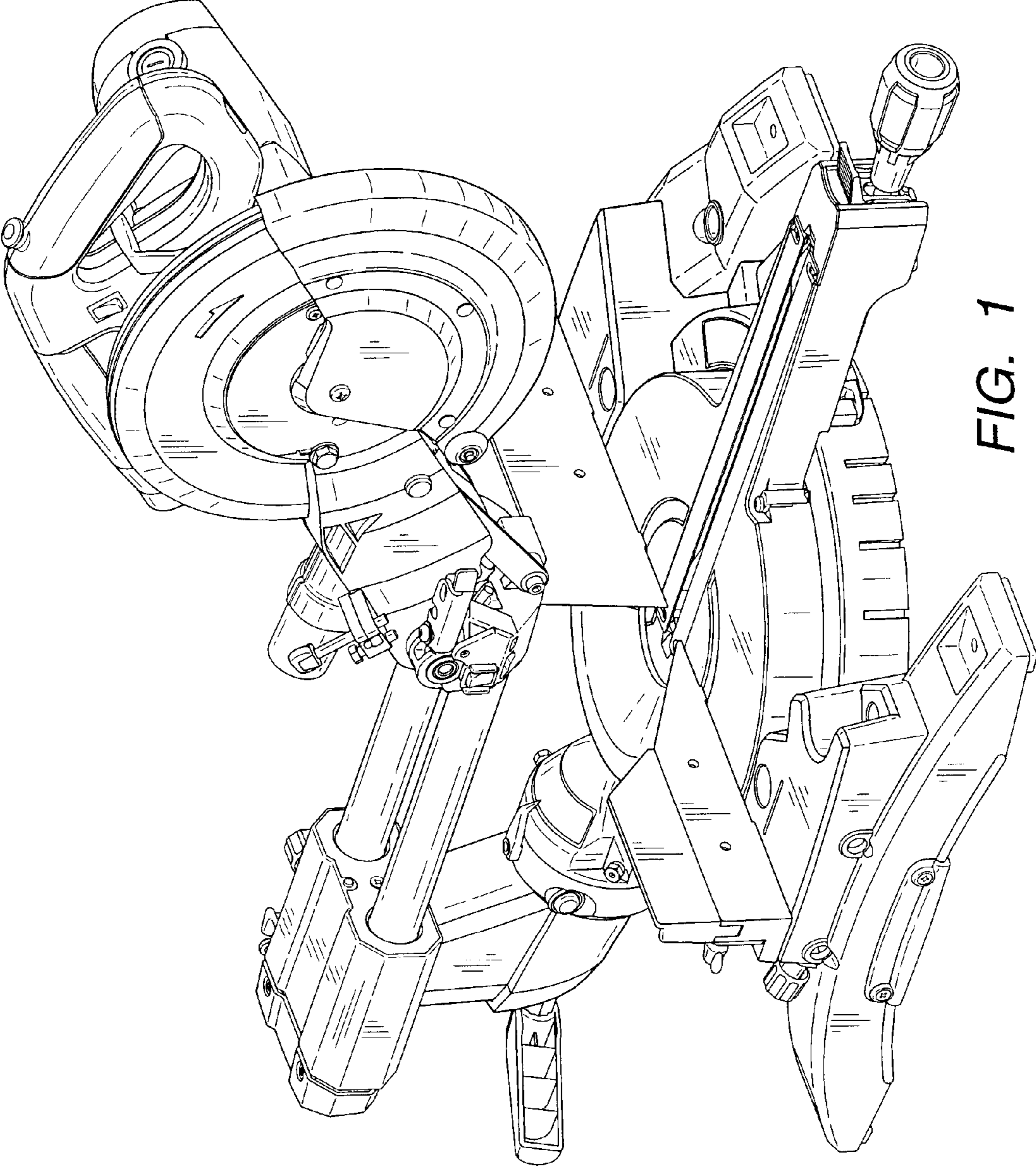


FIG. 1

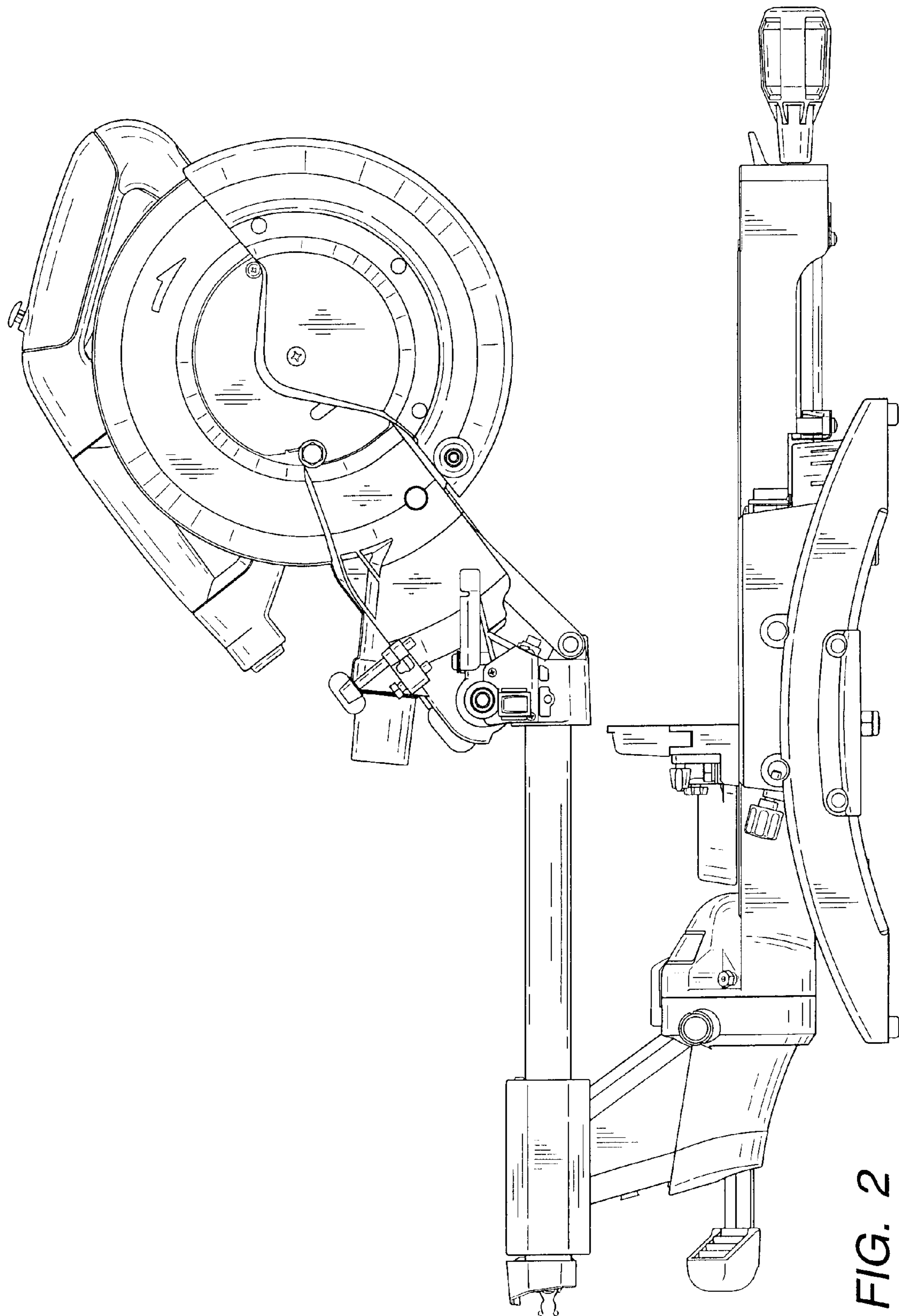


FIG. 2

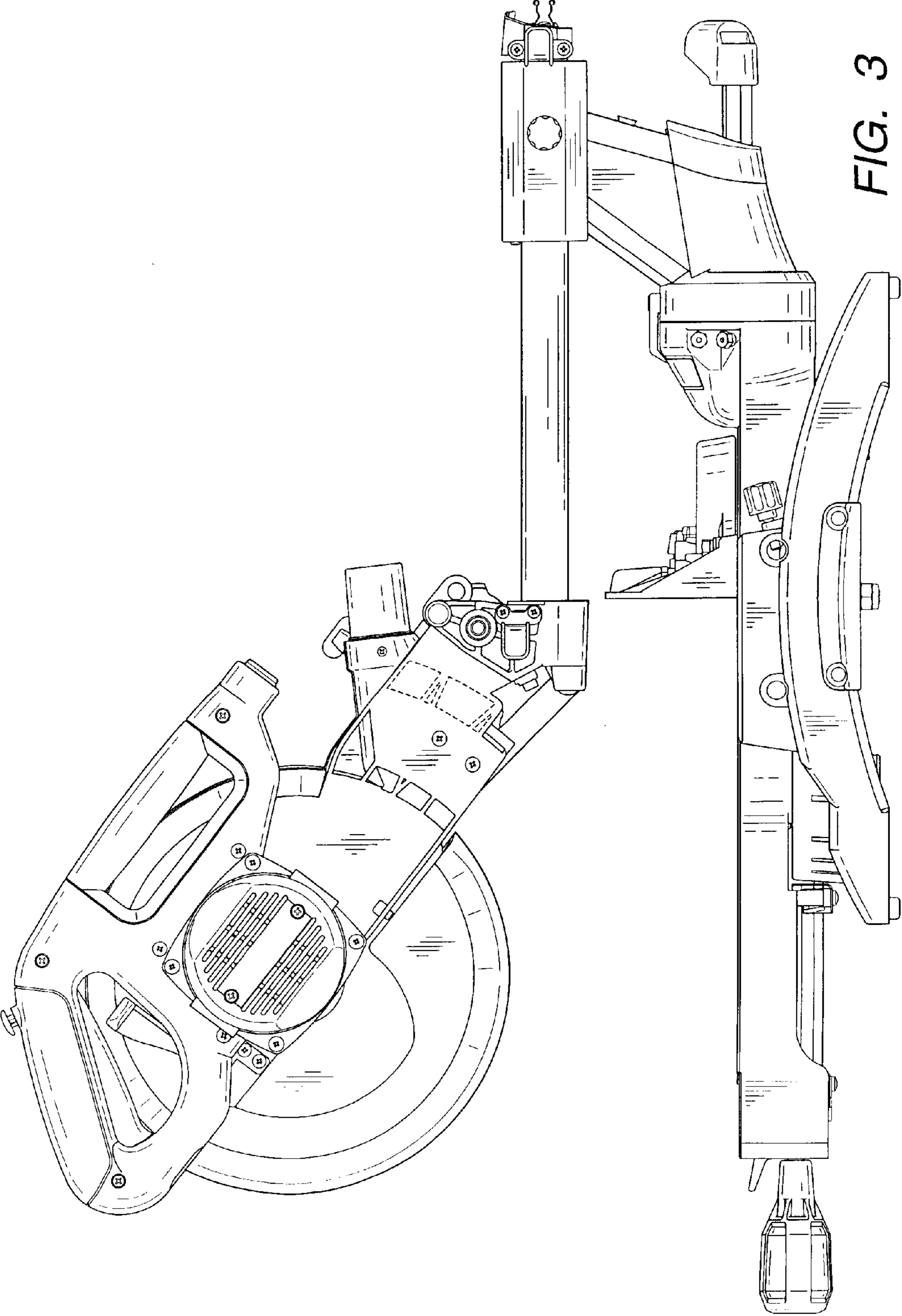


FIG. 3

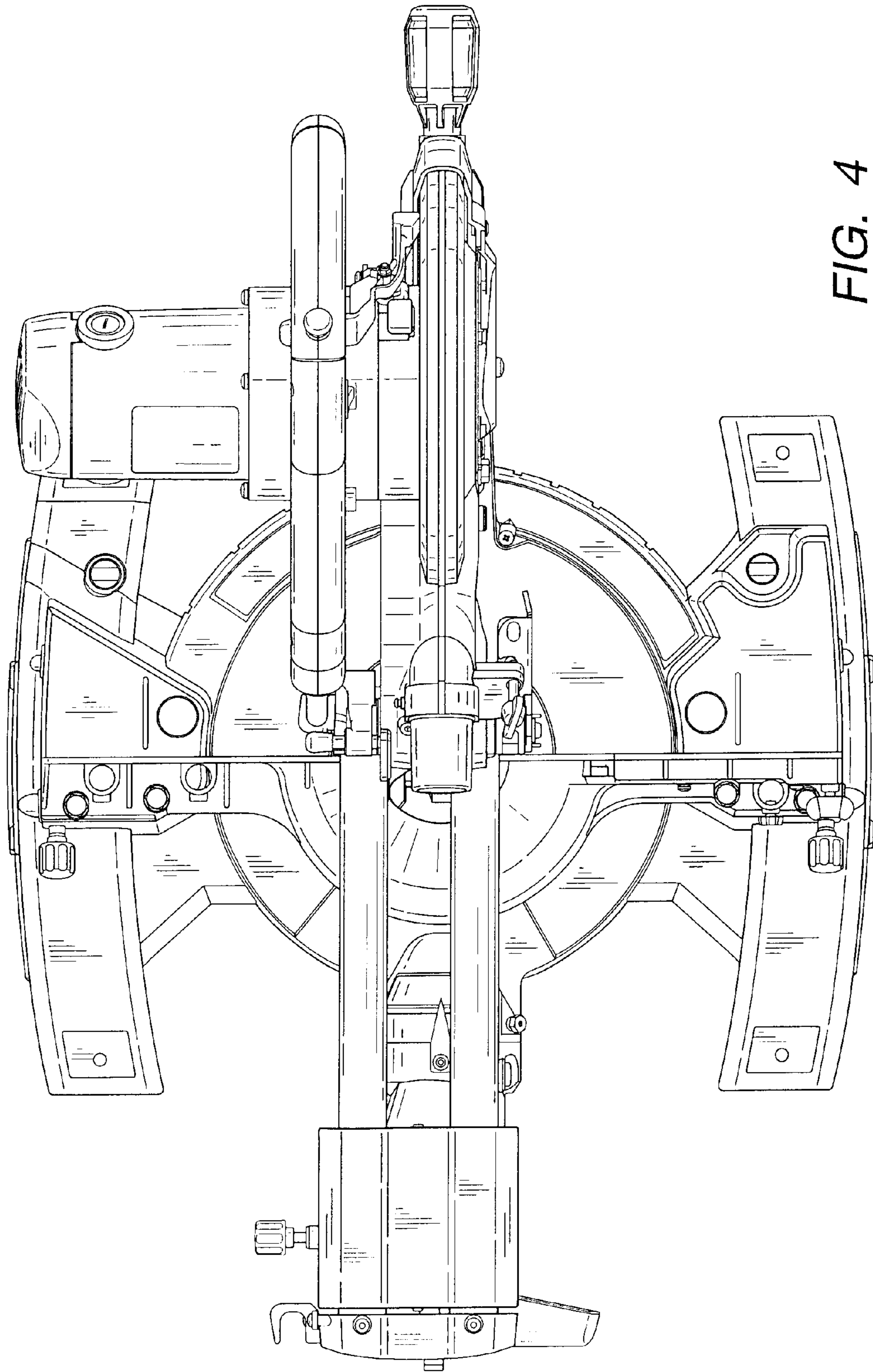


FIG. 4

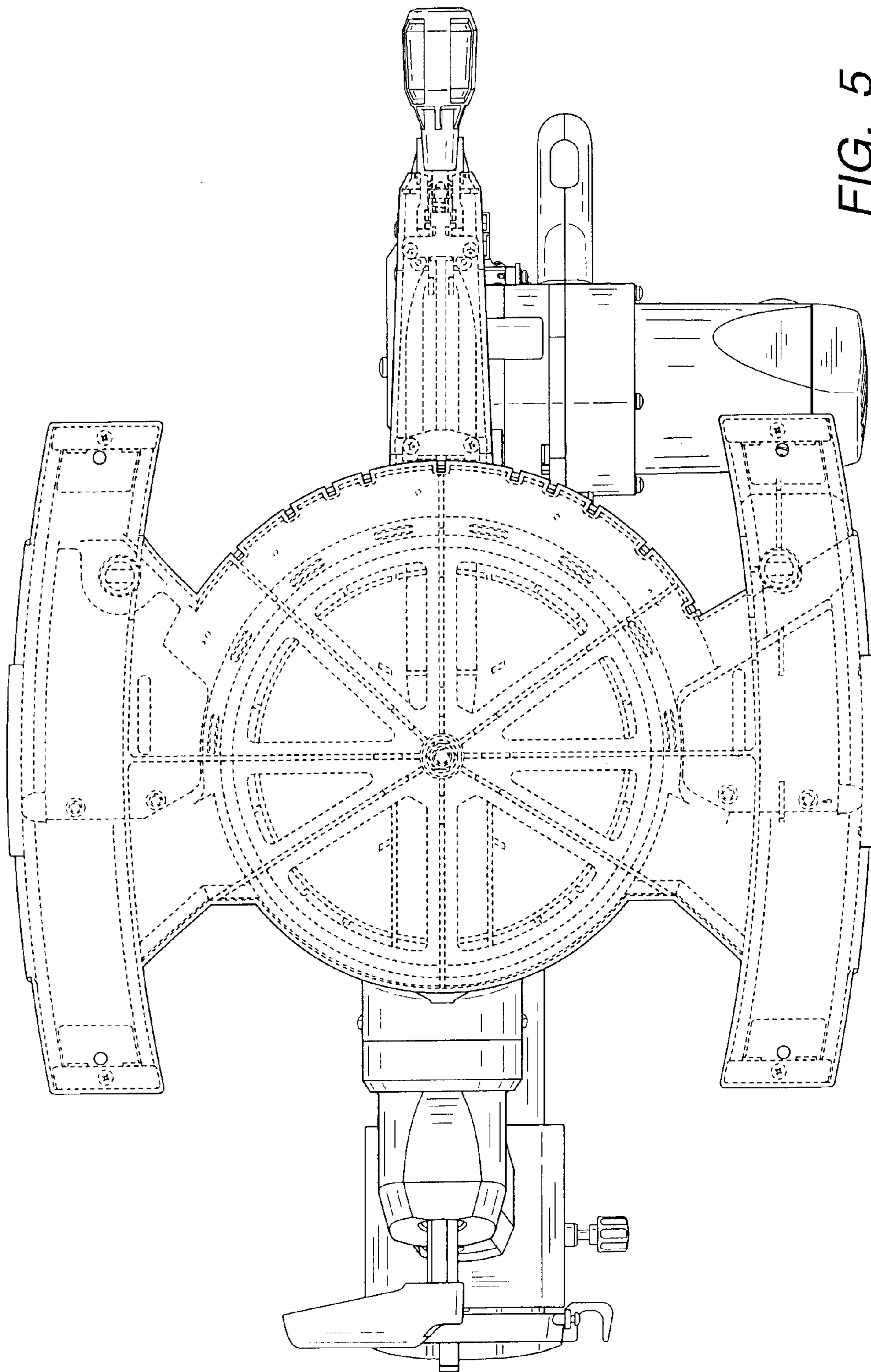


FIG. 5

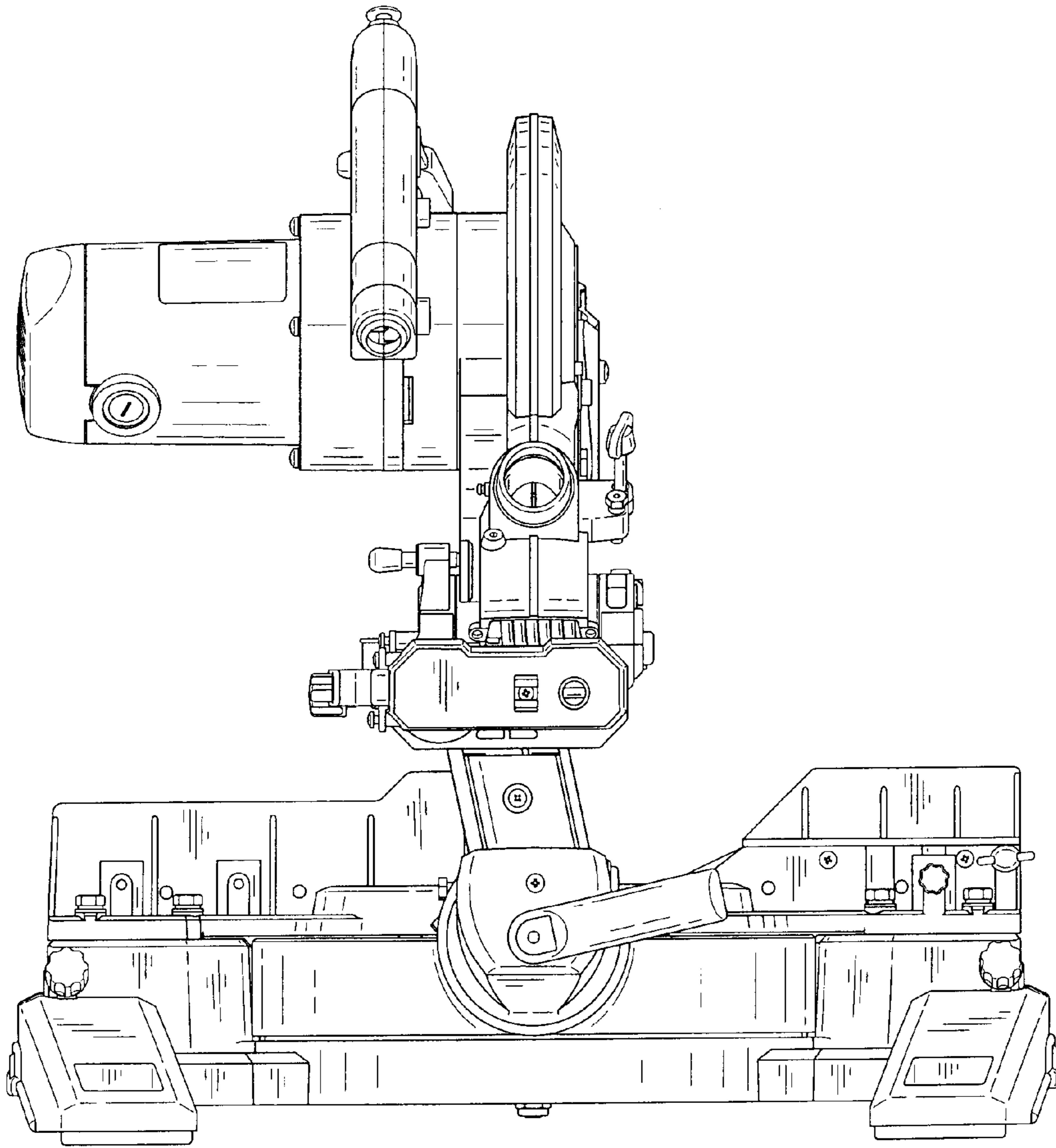


FIG. 6

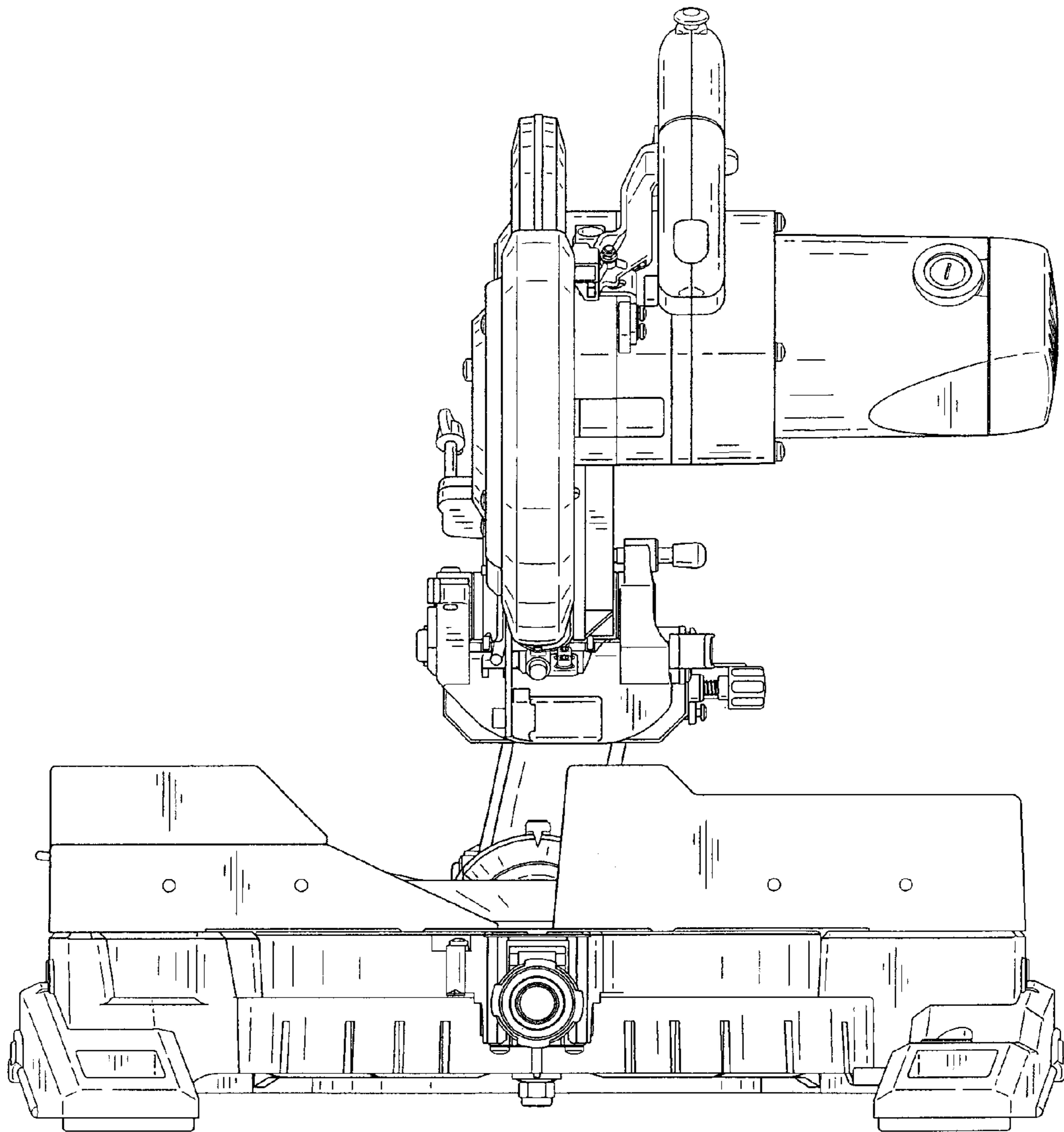


FIG. 7