



US00D597568S

(12) **United States Design Patent**
I Comas

(10) **Patent No.:** **US D597,568 S**

(45) **Date of Patent:** **** Aug. 4, 2009**

(54) **CLIPPER**

(75) **Inventor:** **Josep Torrents I Comas, Barcelona (ES)**

(73) **Assignee:** **Germans Boada, S.A. (ES)**

(**) **Term:** **14 Years**

(21) **Appl. No.:** **29/328,382**

(22) **Filed:** **Nov. 24, 2008**

(30) **Foreign Application Priority Data**

May 23, 2008 (EM) 000939079

(51) **LOC (9) Cl.** **15-09**

(52) **U.S. Cl.** **D15/127**

(58) **Field of Classification Search** D8/51,
D8/52, 98; D15/127; 83/614, 881, 886;
125/23.01, 23.02

See application file for complete search history.

(56) **References Cited**

U.S. PATENT DOCUMENTS

- D291,578 S * 8/1987 Hepworth D15/127
- D331,762 S * 12/1992 Matt D15/127
- 5,259,168 A * 11/1993 Evans et al. 53/138.4
- D422,607 S * 4/2000 Turner et al. D15/127
- D424,585 S * 5/2000 Torrents Comas D15/127
- D434,782 S * 12/2000 Comas D14/127
- 6,164,272 A * 12/2000 Fouy 125/12

- D476,213 S * 6/2003 Hepworth D8/98
- D476,343 S * 6/2003 Leoncini D15/127
- 6,953,036 B2 * 10/2005 Ishii 125/23.02
- D533,426 S * 12/2006 Torrents Comas D8/98
- D541,127 S * 4/2007 Yang D8/98
- 2005/0235608 A1 * 10/2005 Griggs et al. 53/417
- 2007/0245690 A1 * 10/2007 Whittlesey et al. 53/417
- 2008/0060916 A1 * 3/2008 Whittlesey 198/812
- 2008/0083195 A1 * 4/2008 Whittlesey et al. 53/138.2

* cited by examiner

Primary Examiner—Sandra Snapp

Assistant Examiner—Patricia Palasik

(74) *Attorney, Agent, or Firm*—Ostrolenk Faber LLP

(57) **CLAIM**

The ornamental design for a clipper, as shown and described.

DESCRIPTION

FIG. 1 is a top, front, and side perspective view of a clipper showing my new design;

FIG. 2 is a top view thereof;

FIG. 3 is one end view thereof;

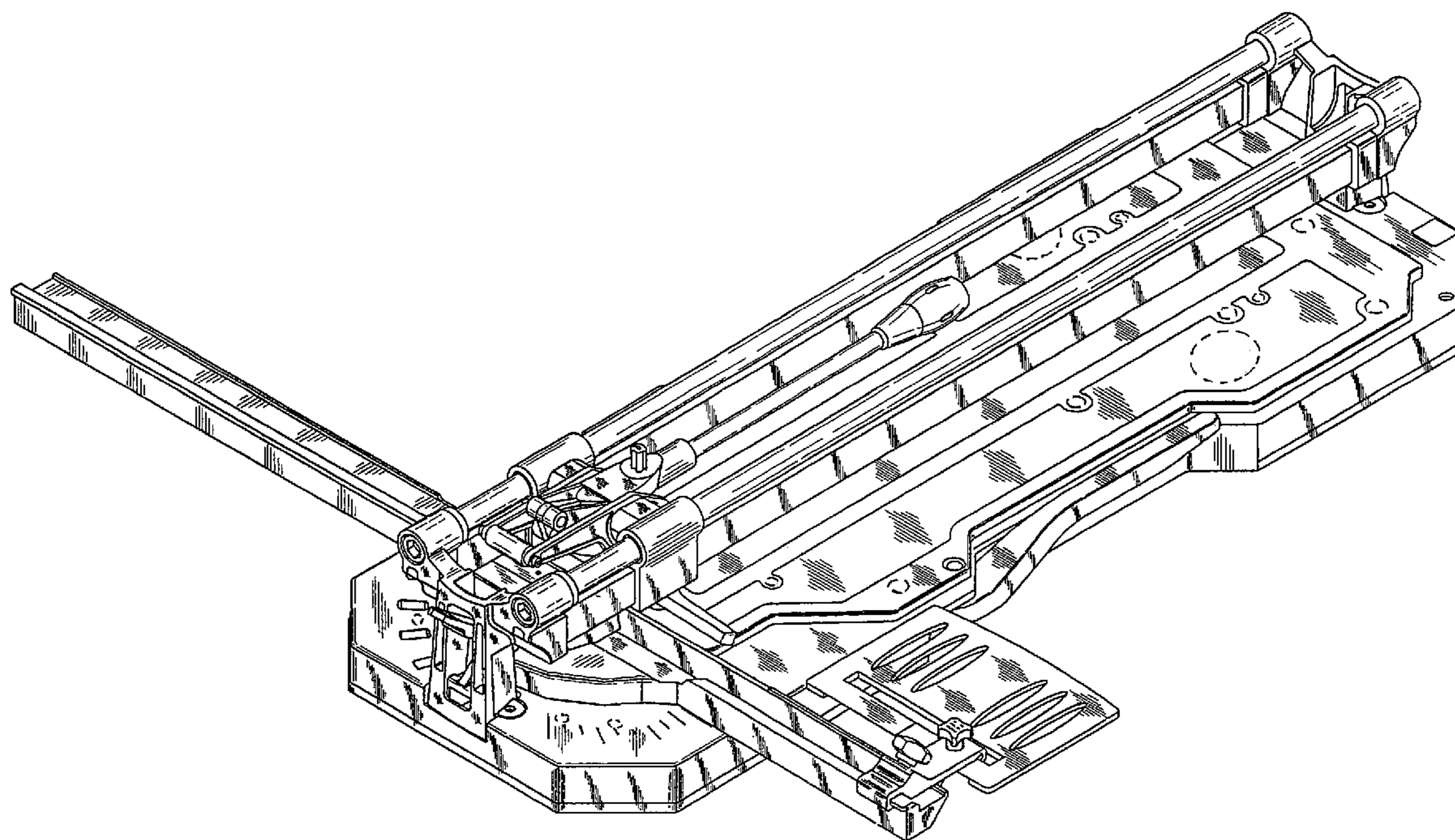
FIG. 4 is the opposite end view thereof;

FIG. 5 is one side view thereof; and,

FIG. 6 is the opposite side view thereof.

The broken lines in the drawings depict unclaimed environmental subject matter.

1 Claim, 6 Drawing Sheets



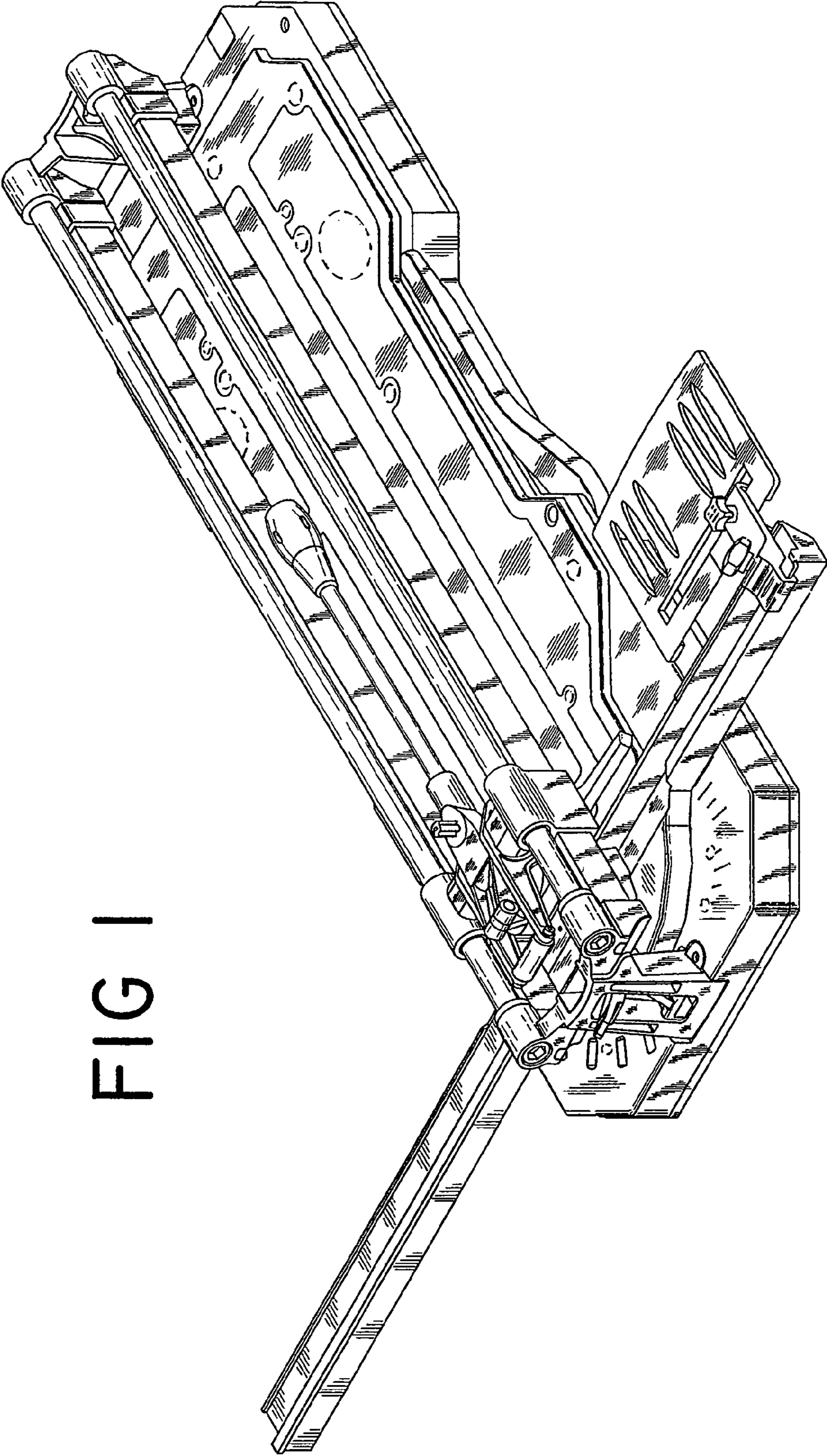
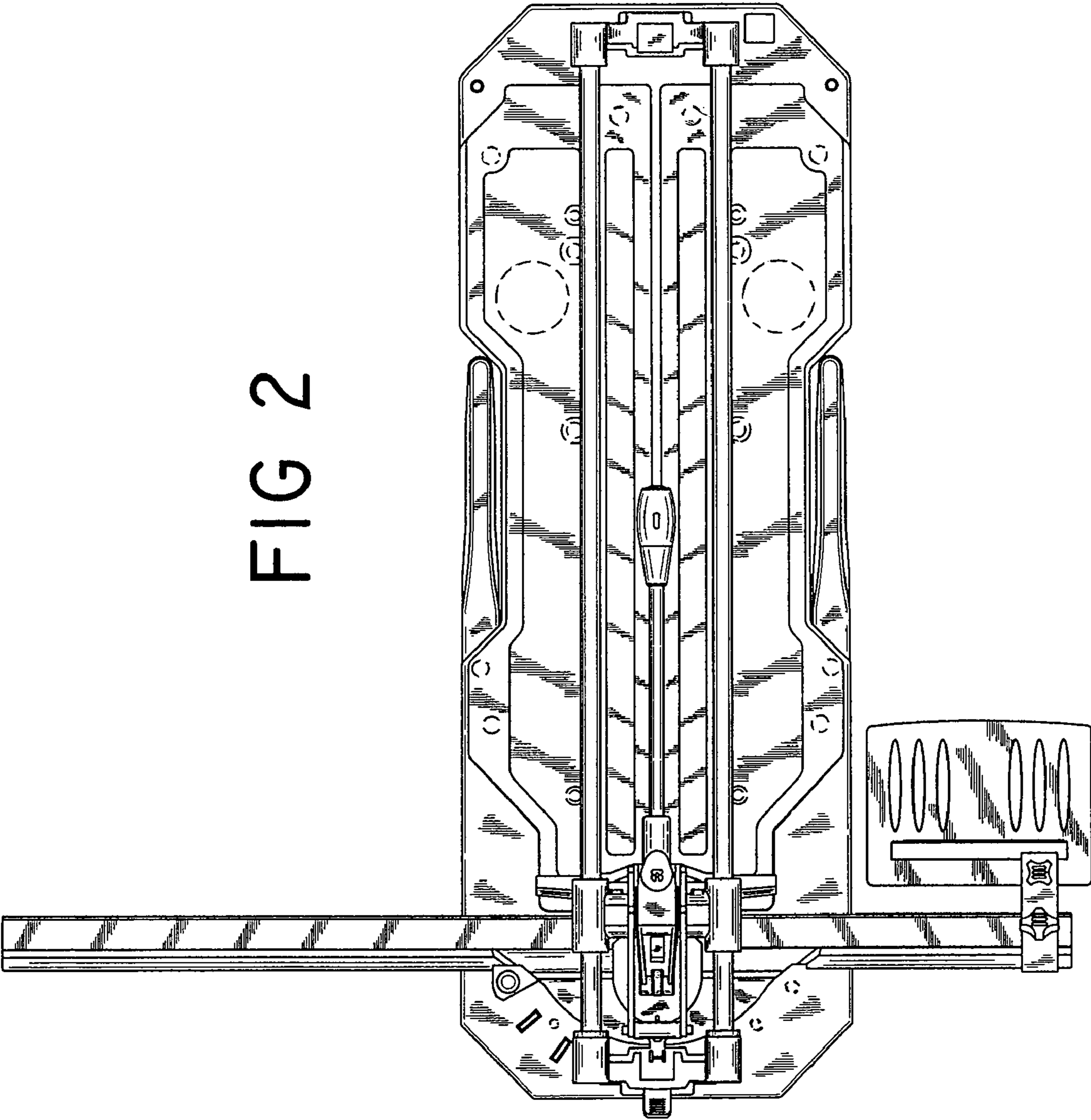


FIG 1

FIG 2



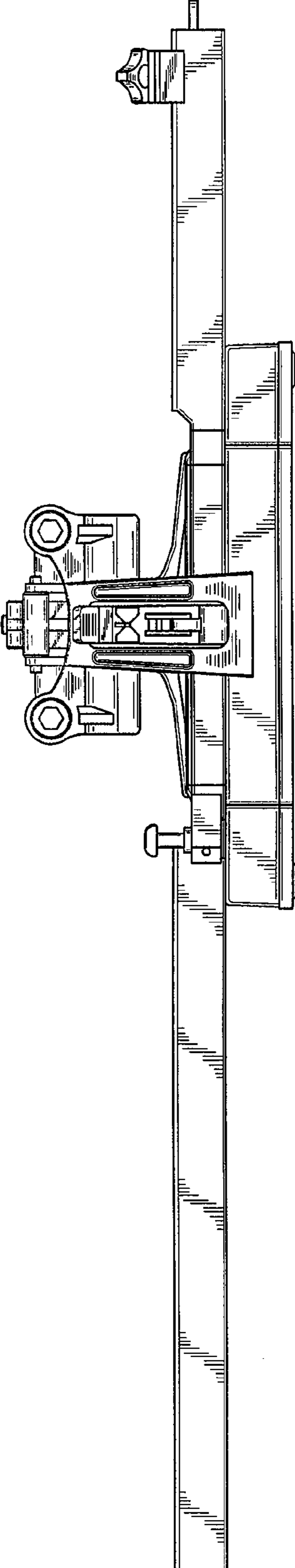


FIG 3

FIG 4

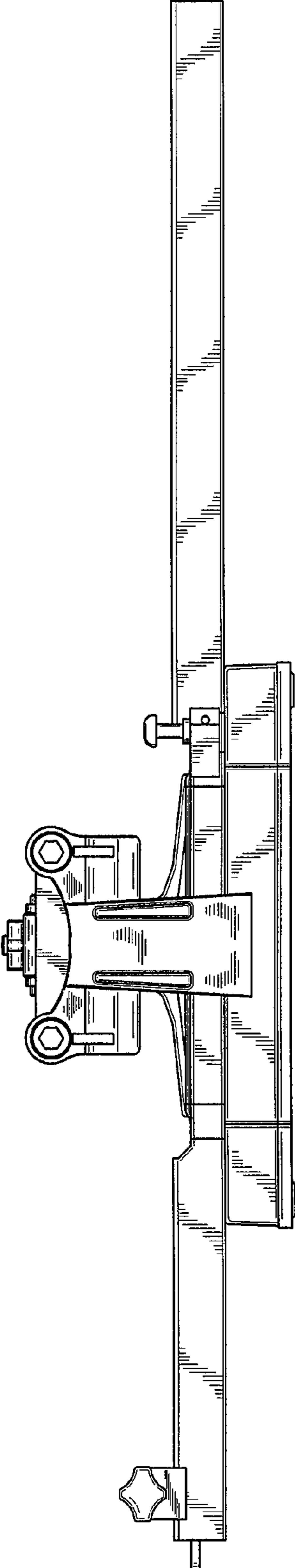


FIG 5

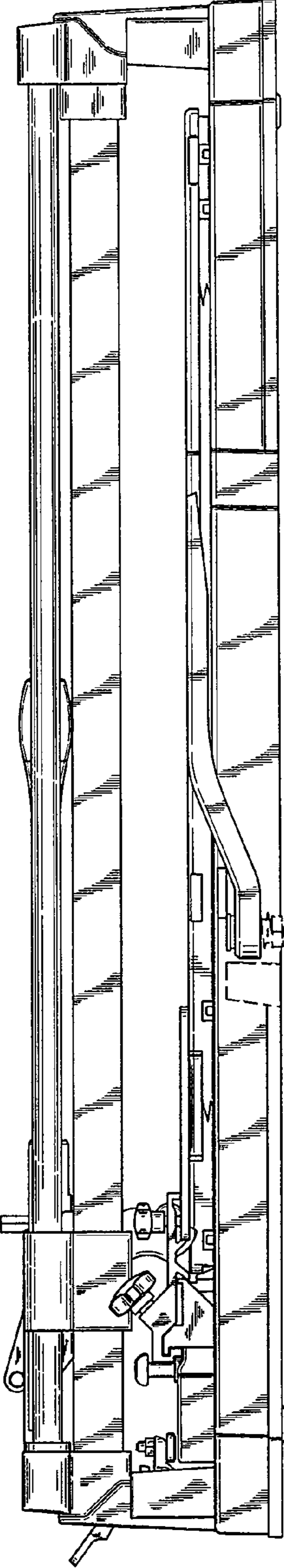


FIG 6

