

US00D597567S

(12) **United States Design Patent**  
**Radermacher**

(10) **Patent No.:** **US D597,567 S**  
(45) **Date of Patent:** **\*\* Aug. 4, 2009**

(54) **ROUTER TABLE**

(75) Inventor: **Uwe Radermacher**, Weibern (DE)

(73) Assignee: **Wolfcraft GmbH**, Kempenich (DE)

(\*\*) Term: **14 Years**

(21) Appl. No.: **29/259,869**

(22) Filed: **May 16, 2006**

(51) **LOC (9) Cl.** ..... **15-09**

(52) **U.S. Cl.** ..... **D15/127**

(58) **Field of Classification Search** ..... D15/122,  
D15/127, 131; 144/134.1, 135.2, 136.1,  
144/204.2, 253.2, 253.5, 281.1, 286.5

See application file for complete search history.

(56) **References Cited**

**U.S. PATENT DOCUMENTS**

4,362,196	A *	12/1982	Ferdinand et al.	.....	144/286.1
4,679,606	A *	7/1987	Bassett	.....	144/135.2
D343,846	S *	2/1994	Balolia et al.	.....	D15/127
5,320,150	A *	6/1994	Everts et al.	.....	144/287
D418,846	S *	1/2000	Chen	.....	D15/127
D443,882	S *	6/2001	Daniels et al.	.....	D15/127
D457,176	S *	5/2002	Daniels et al.	.....	D15/127
D487,474	S *	3/2004	Hon	.....	D15/127
D509,518	S *	9/2005	Radermacher	.....	D15/127

7,086,434	B2 *	8/2006	Lee	.....	144/286.1
2007/0221291	A1 *	9/2007	Radermacher	.....	144/134.1
2008/0110528	A1 *	5/2008	Kent	.....	144/286.5

\* cited by examiner

*Primary Examiner*—Sandra Snapp

*Assistant Examiner*—Patricia Palasik

(74) *Attorney, Agent, or Firm*—K&L Gates LLP

(57) **CLAIM**

The ornamental design for a router table, as shown and described.

**DESCRIPTION**

FIG. 1 is a perspective view of a router table of the claimed design.

FIG. 2 is a front view of the router table of FIG. 1.

FIG. 3 is a left side of the router table of FIG. 1.

FIG. 4 is a rear side view of the router table of FIG. 1.

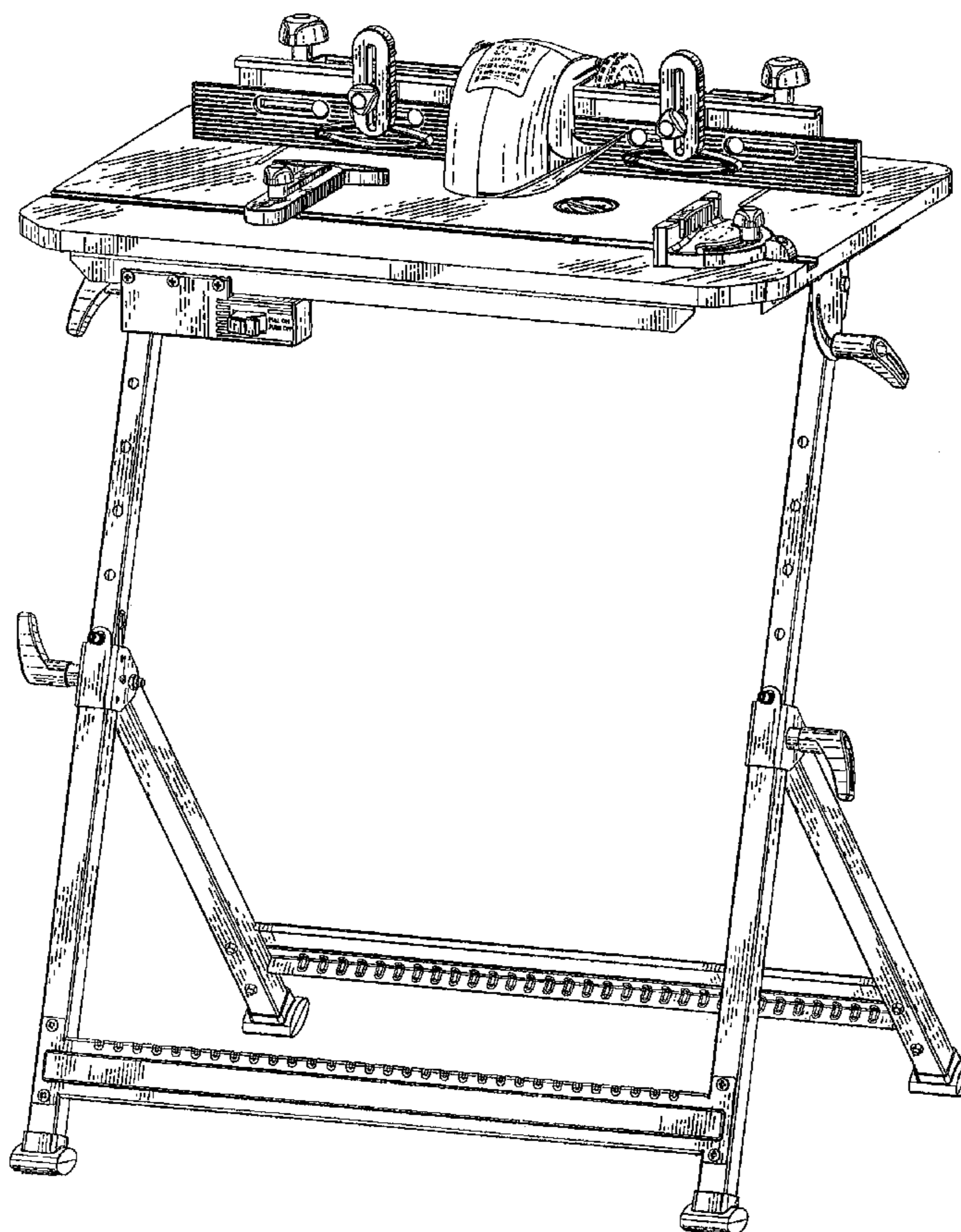
FIG. 5 is a right side view of the router table of FIG. 1.

FIG. 6 is a top view of the router table of FIG. 1; and,

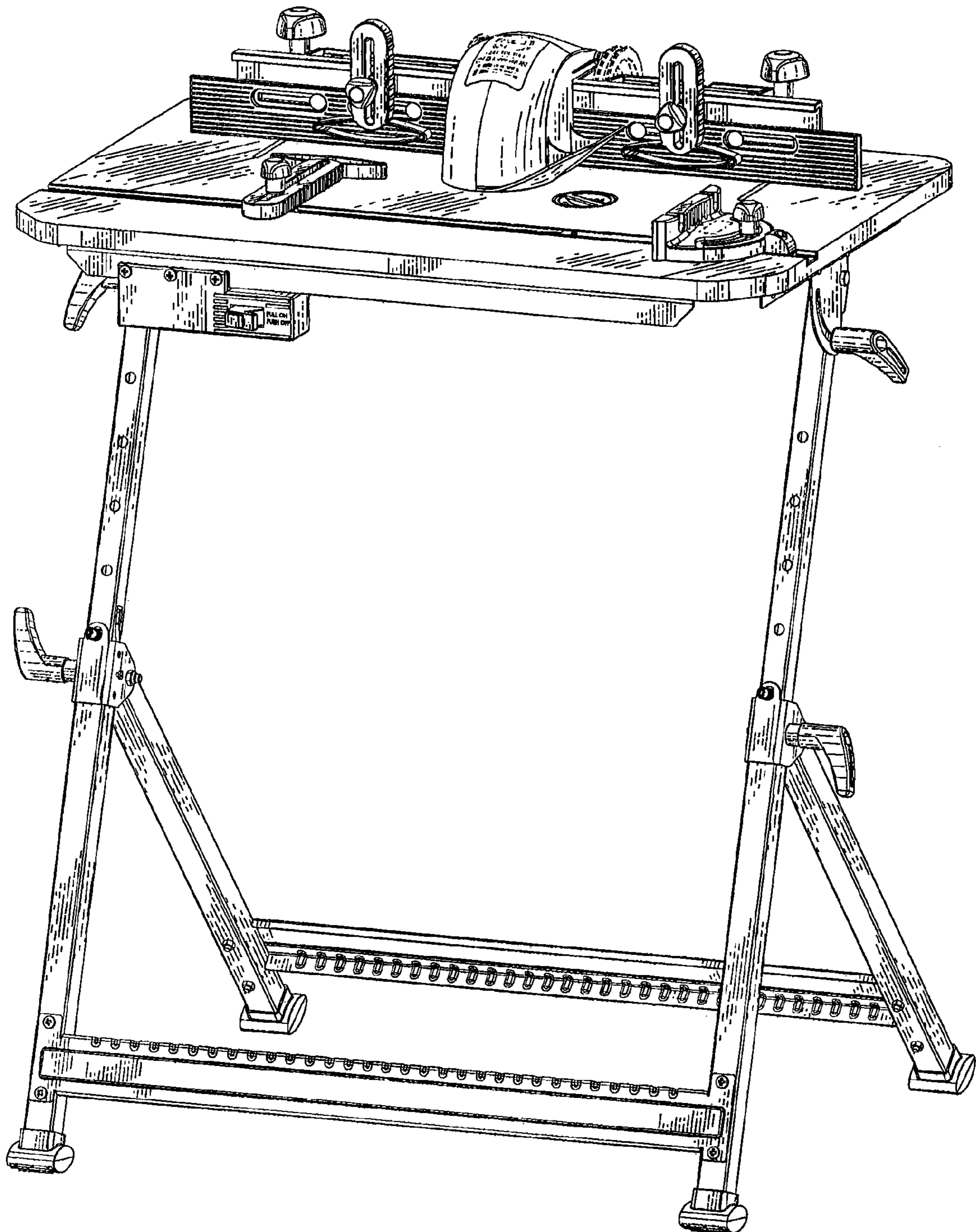
FIG. 7 is a bottom view of the router table of FIG. 1.

The broken lines showing portions of the router table are included for the purpose of illustration and form no part of the claimed design.

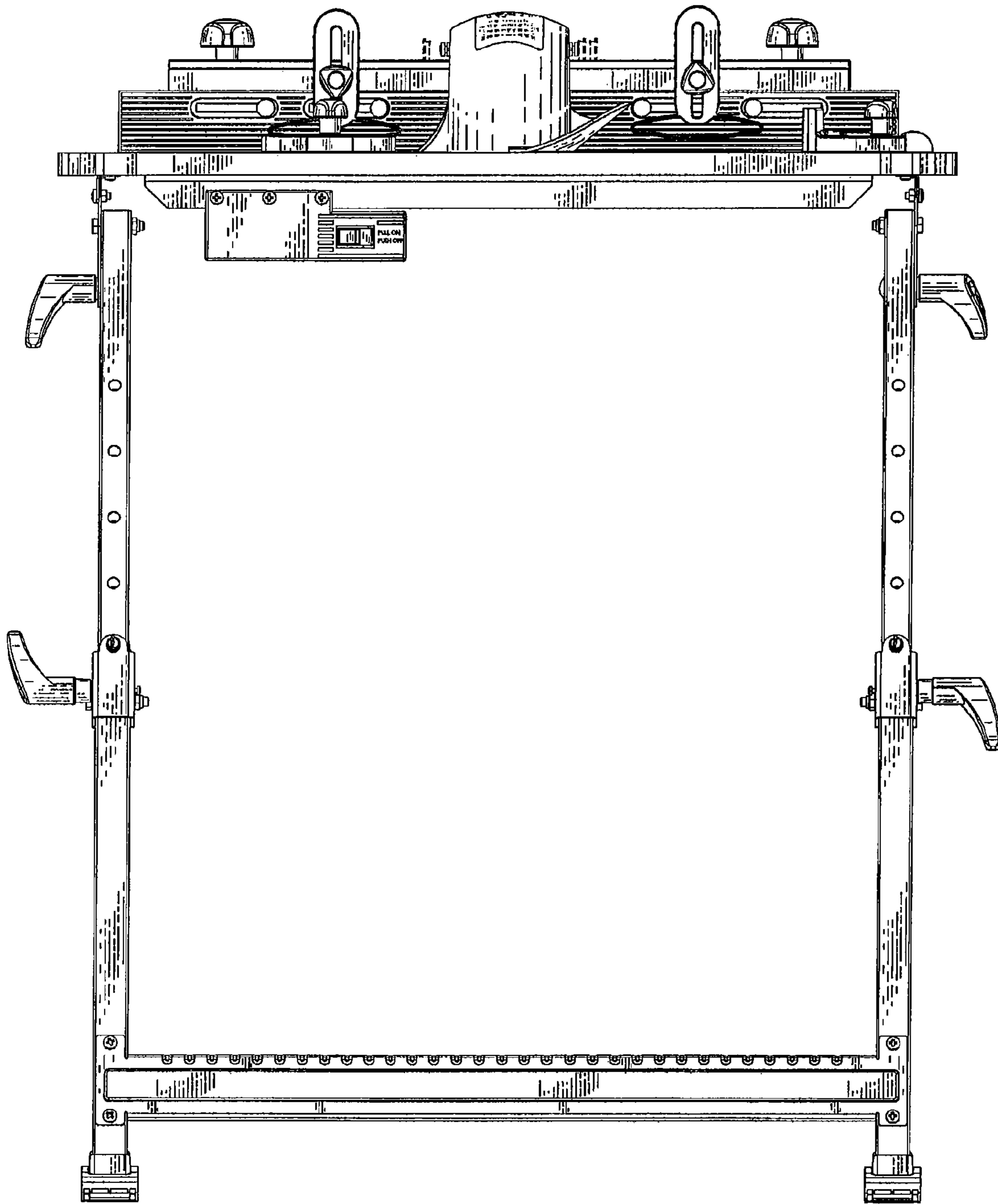
**1 Claim, 7 Drawing Sheets**



***Fig. 1***

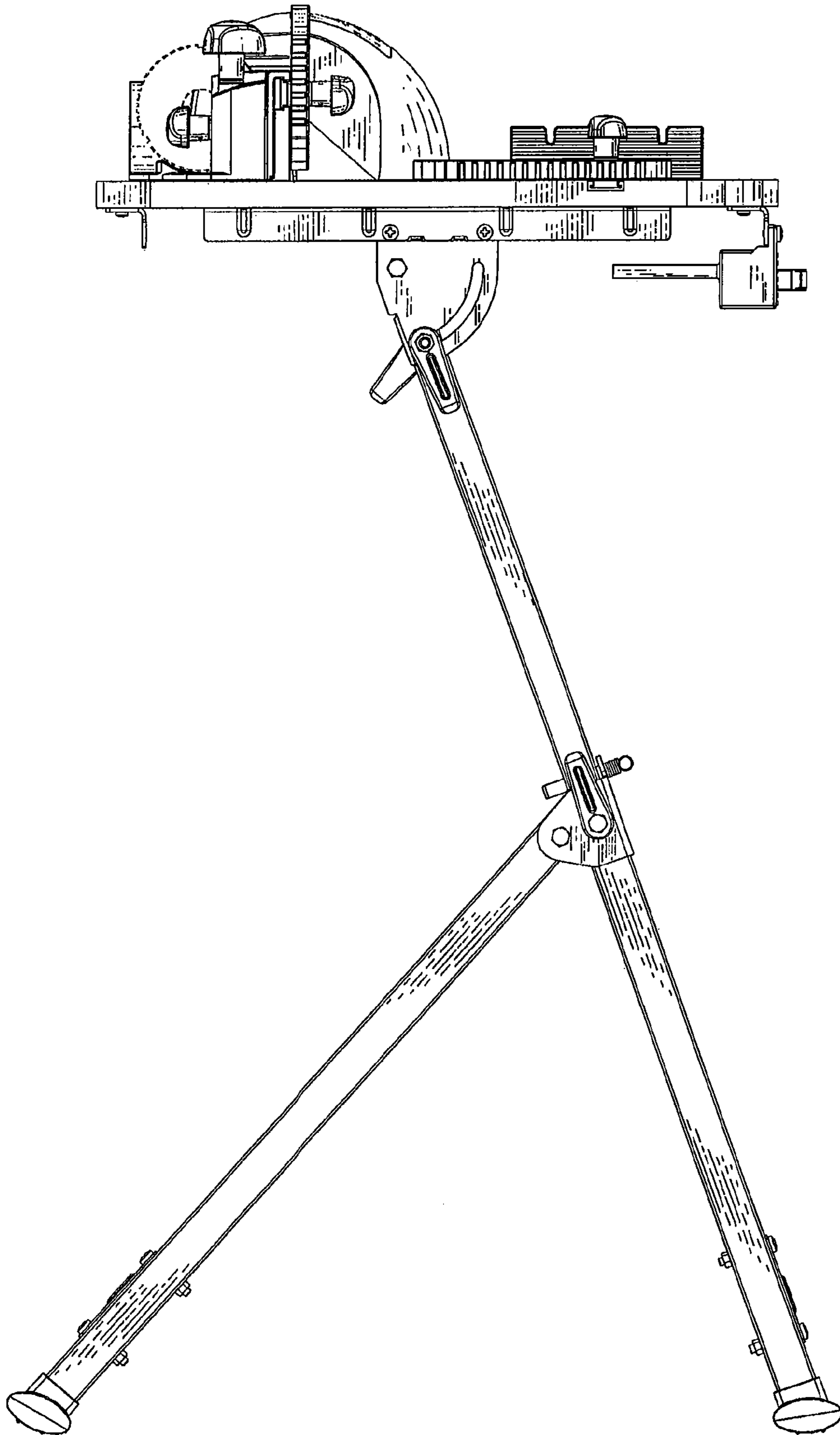


***Fig. 2***

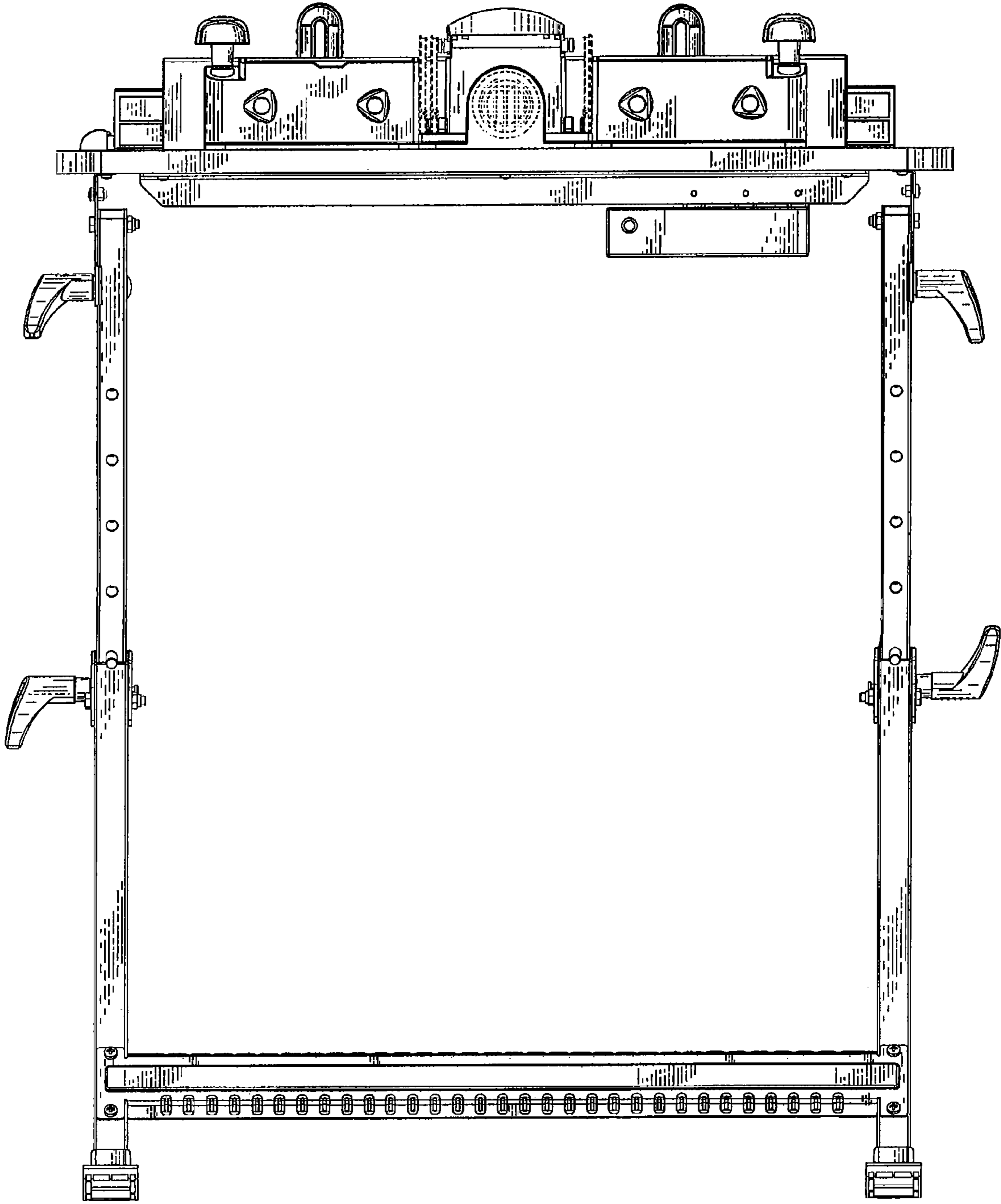




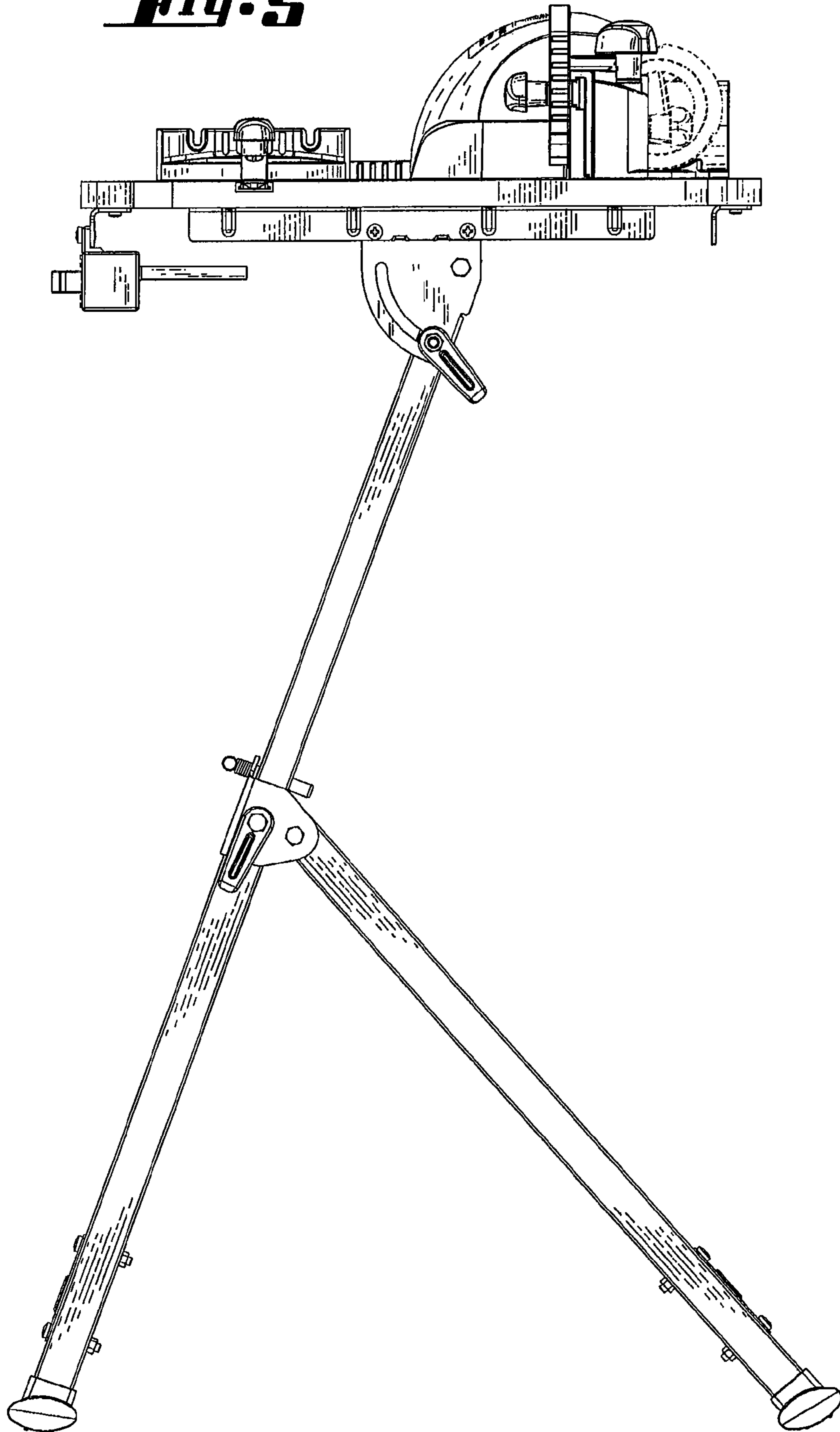
***Fig. 3***



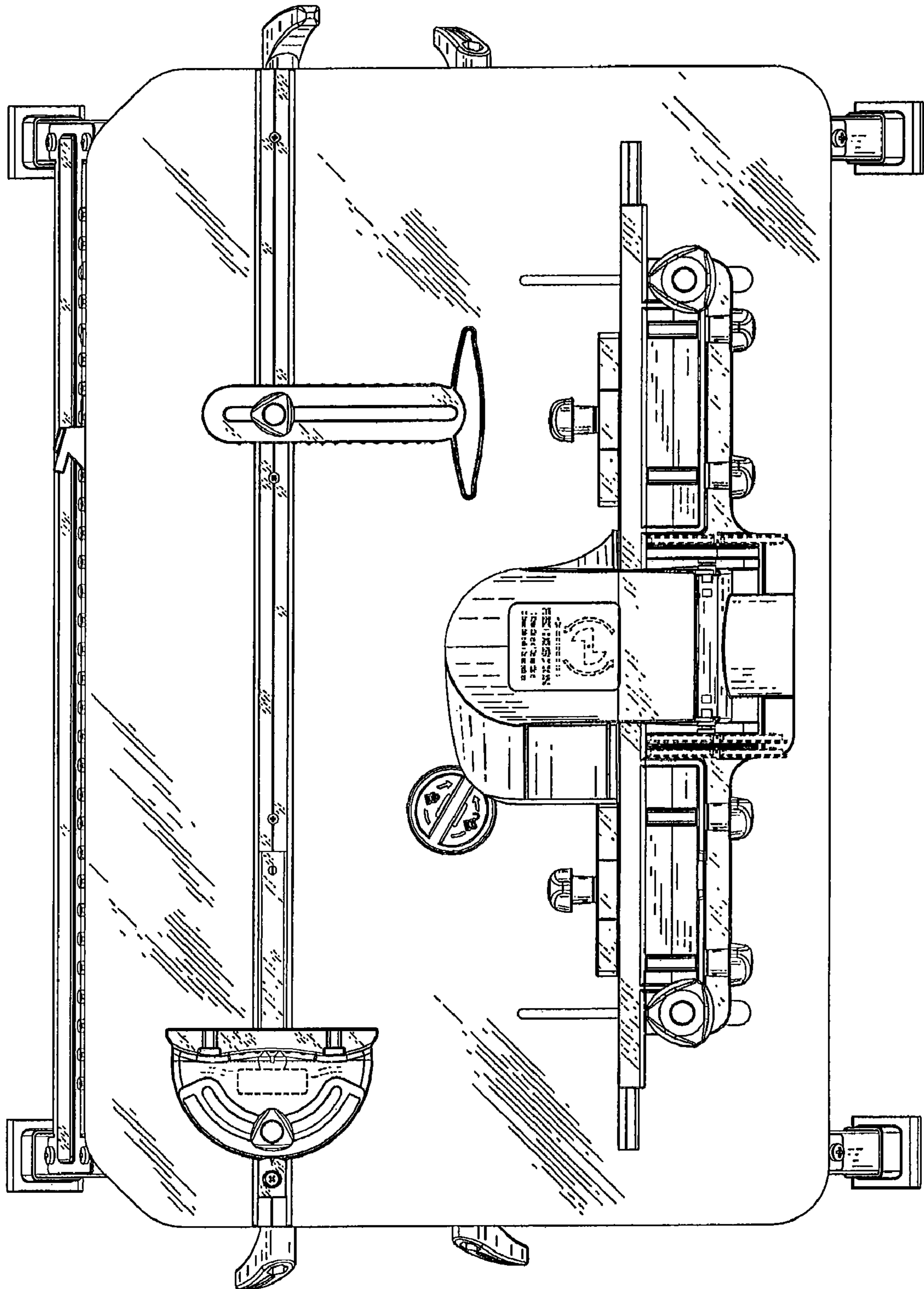
***Fig. 4***



***Fig. 5***



**Fig. 6**





**Fig. 7**

