

US00D597566S

(12) **United States Design Patent**
Jackson

(10) **Patent No.:** **US D597,566 S**

(45) **Date of Patent:** **** Aug. 4, 2009**

(54) **CRUSHING DEVICE**

(76) **Inventor:** **Roger Jackson**, 8535 33 Avenue NW,
Calgary, Alberta (CA) T3B 1M2

(**) **Term:** **14 Years**

(21) **Appl. No.:** **29/335,449**

(22) **Filed:** **Apr. 16, 2009**

(51) **LOC (9) Cl.** **15-09**

(52) **U.S. Cl.** **D15/123**

(58) **Field of Classification Search** D15/123;
100/35, 41, 137, 179, 185, 193, 237, 259,
100/260, 264, 280, 289, 982

See application file for complete search history.

(56) **References Cited**

U.S. PATENT DOCUMENTS

4,257,321	A *	3/1981	Wheeler et al.	100/219
D309,463	S *	7/1990	McDannel et al.	D15/123
D327,278	S *	6/1992	Lam et al.	D15/123
5,233,917	A *	8/1993	Handzlik	100/232
D342,265	S *	12/1993	Rock	D15/123
D355,425	S *	2/1995	Weaver	D15/123
D361,337	S *	8/1995	Hardy	D15/123
D397,701	S *	9/1998	Fleming	D15/123

6,076,455	A *	6/2000	Geise	100/258 A
D437,863	S *	2/2001	Terenzio	D15/123
2006/0042480	A1 *	3/2006	Blais	100/230

* cited by examiner

Primary Examiner—Sandra Snapp

Assistant Examiner—Patricia Palasik

(74) *Attorney, Agent, or Firm*—Miller Thomson LLP

(57) **CLAIM**

The ornamental design for the “crushing device,” as shown and described.

DESCRIPTION

FIG. 1 is a back perspective view of the crushing device.

FIG. 2 is a front perspective view of the crushing device.

FIG. 3 is a right side view of the crushing device.

FIG. 4 is a front view of the crushing device.

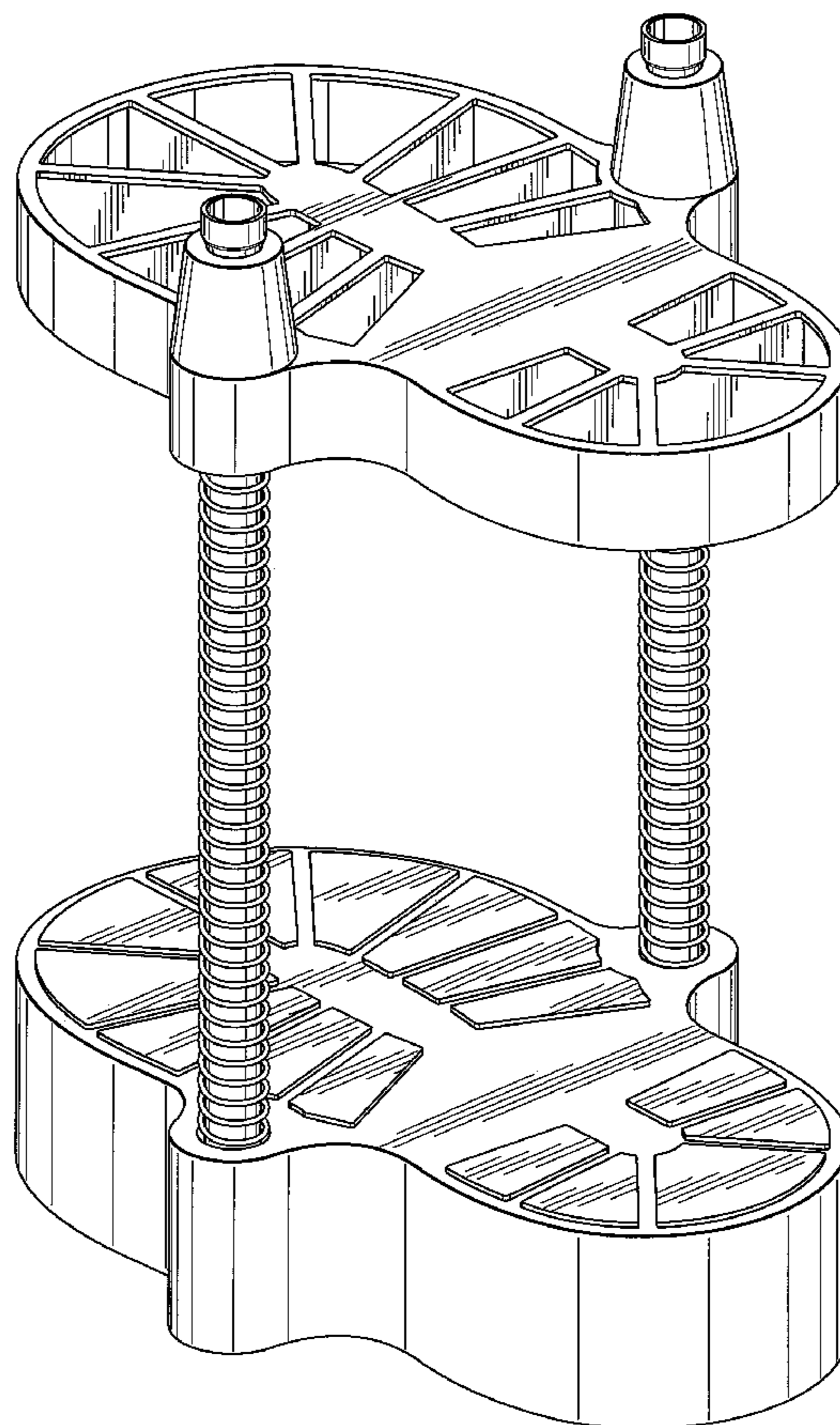
FIG. 5 is a left side view of the crushing device.

FIG. 6 is a back view of the crushing device.

FIG. 7 is a top view of the crushing device; and,

FIG. 8 is a bottom view of the crushing device.

1 Claim, 8 Drawing Sheets



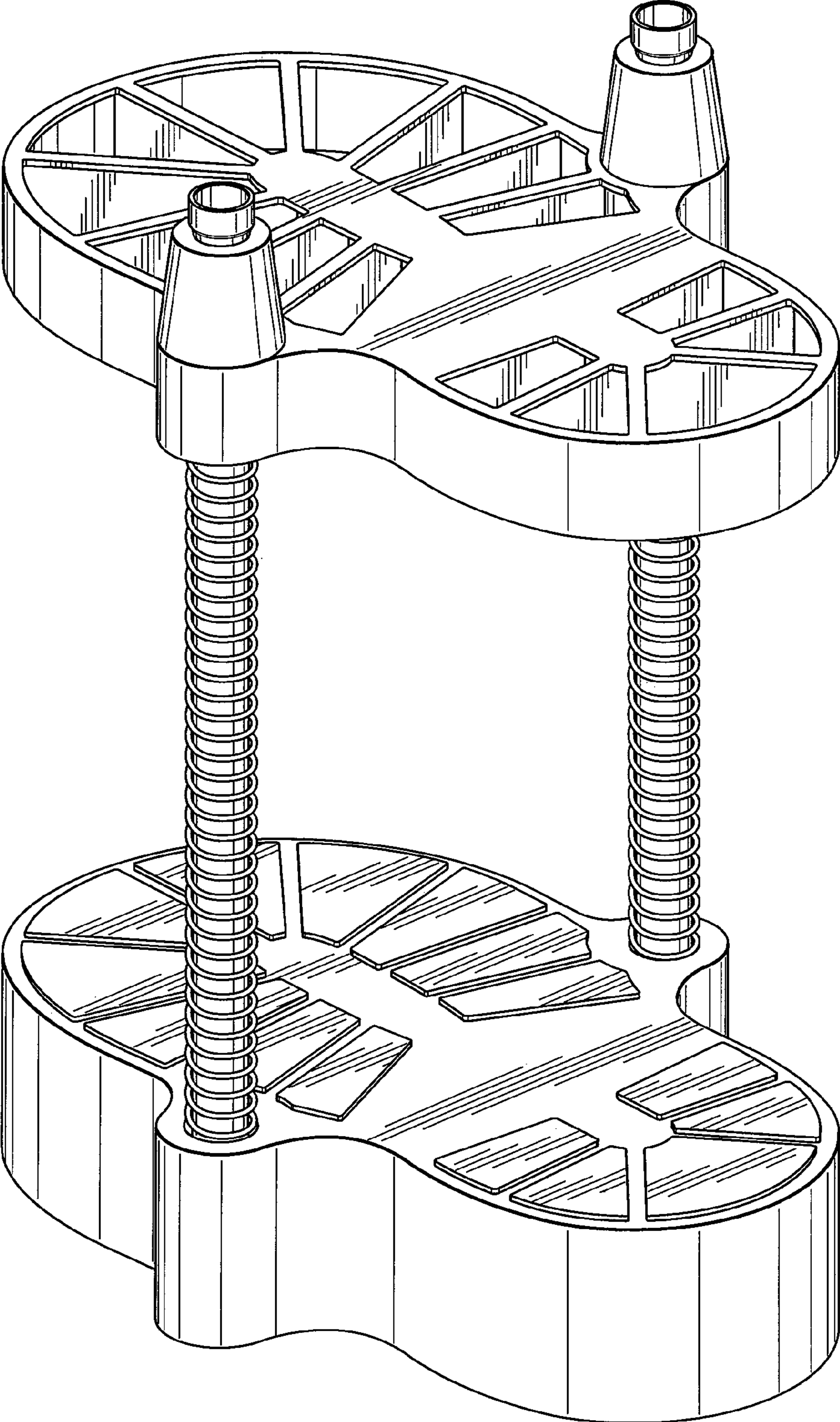


FIG. 1

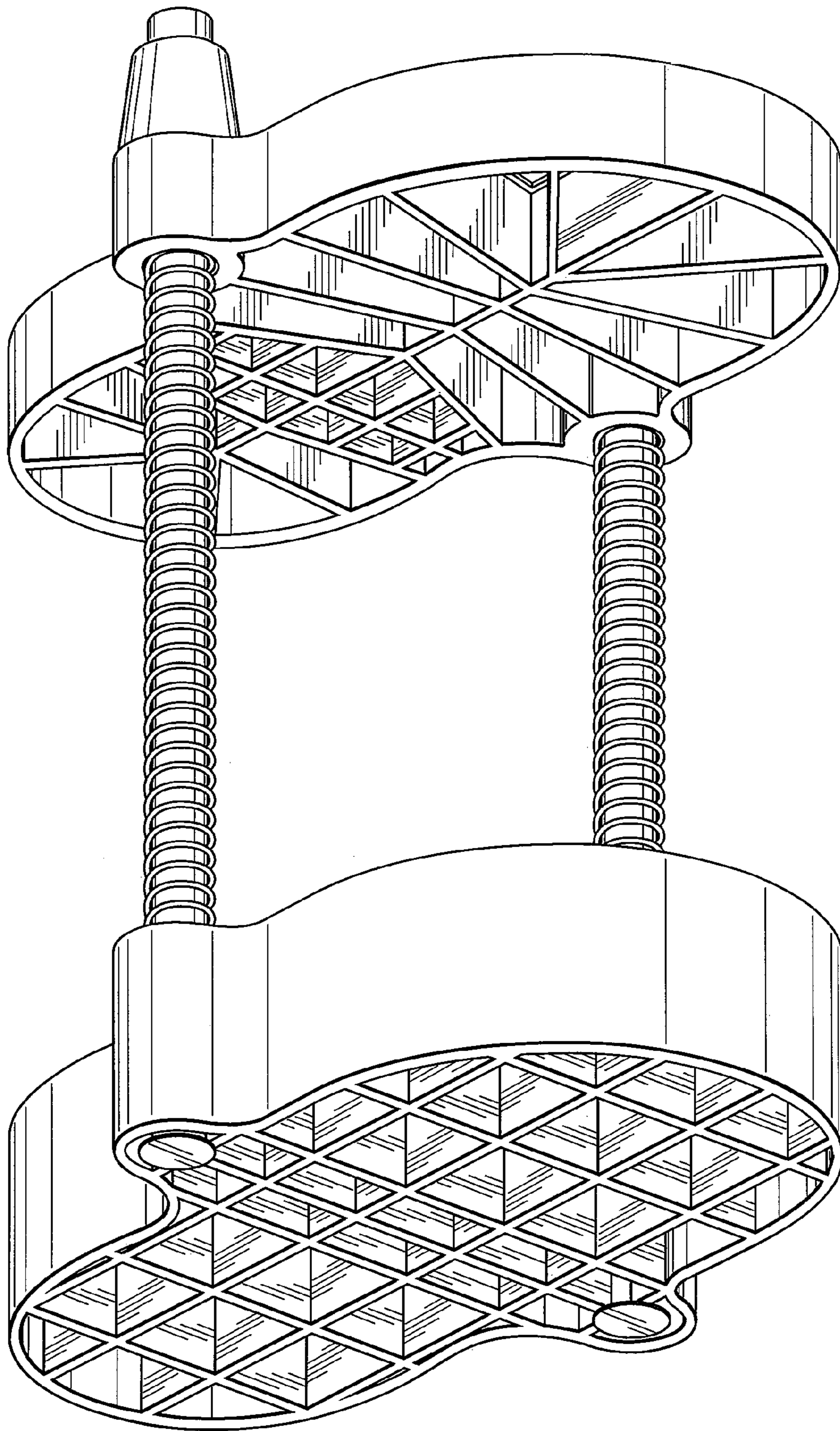


FIG. 2

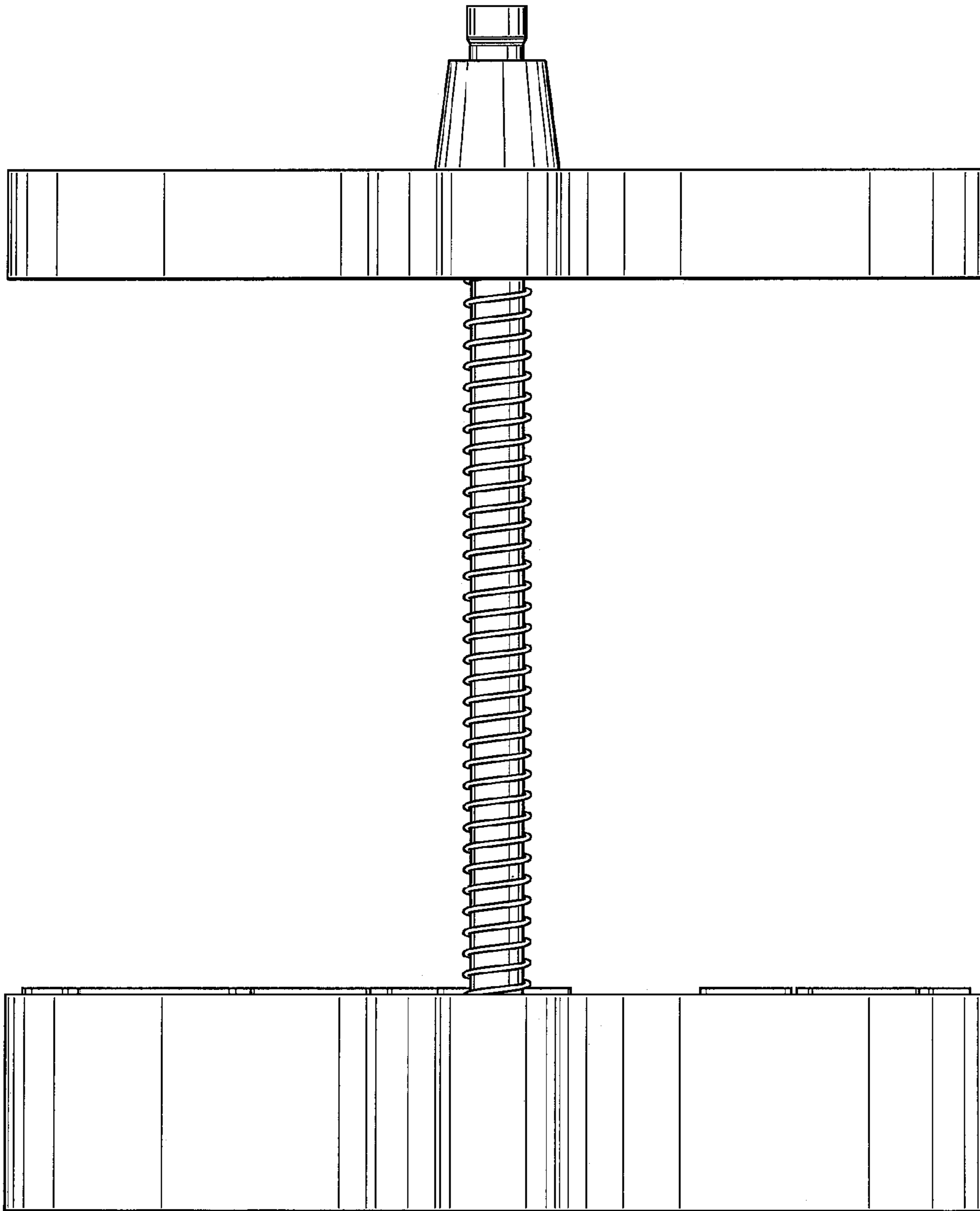


FIG. 3

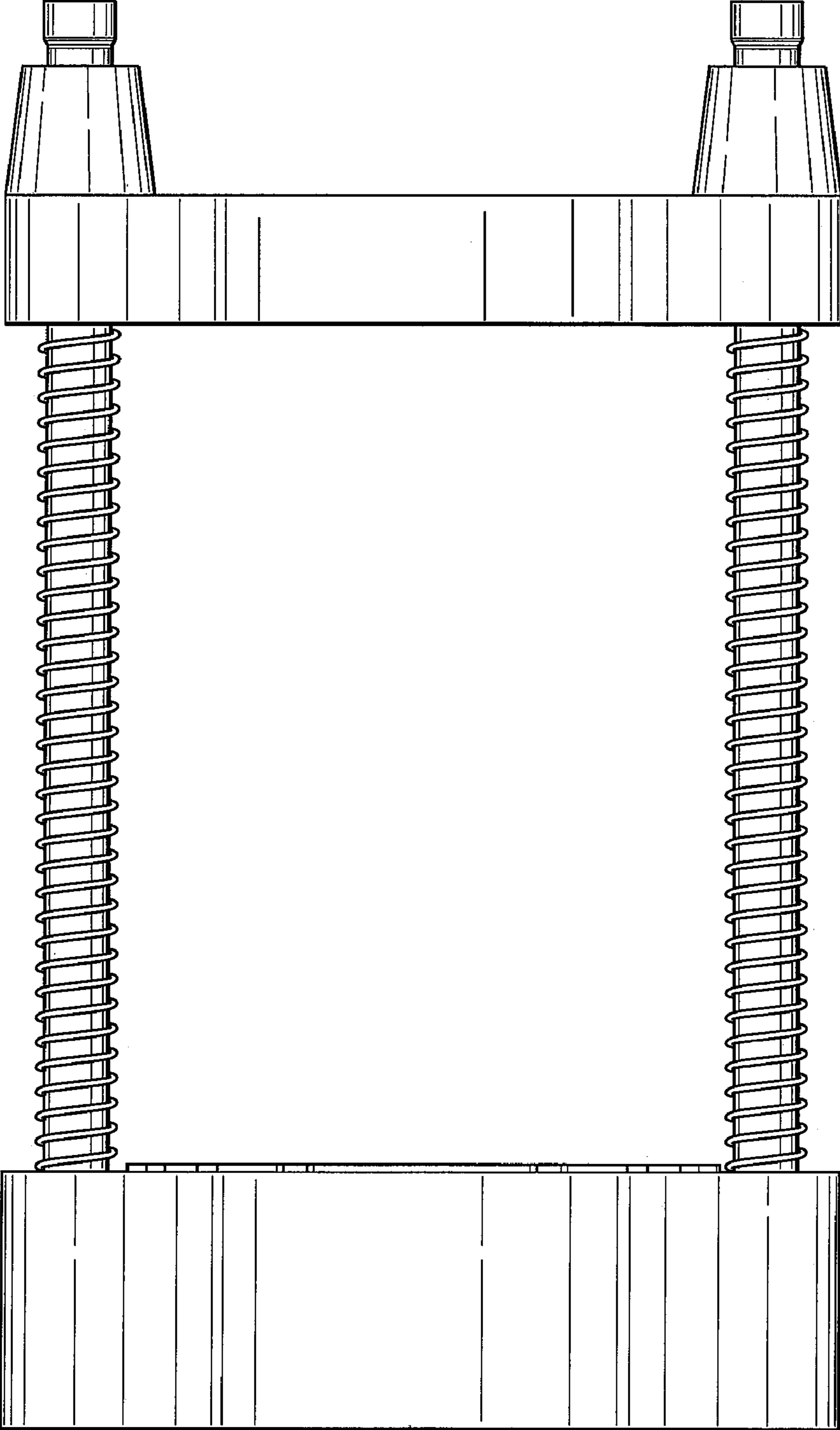


FIG. 4

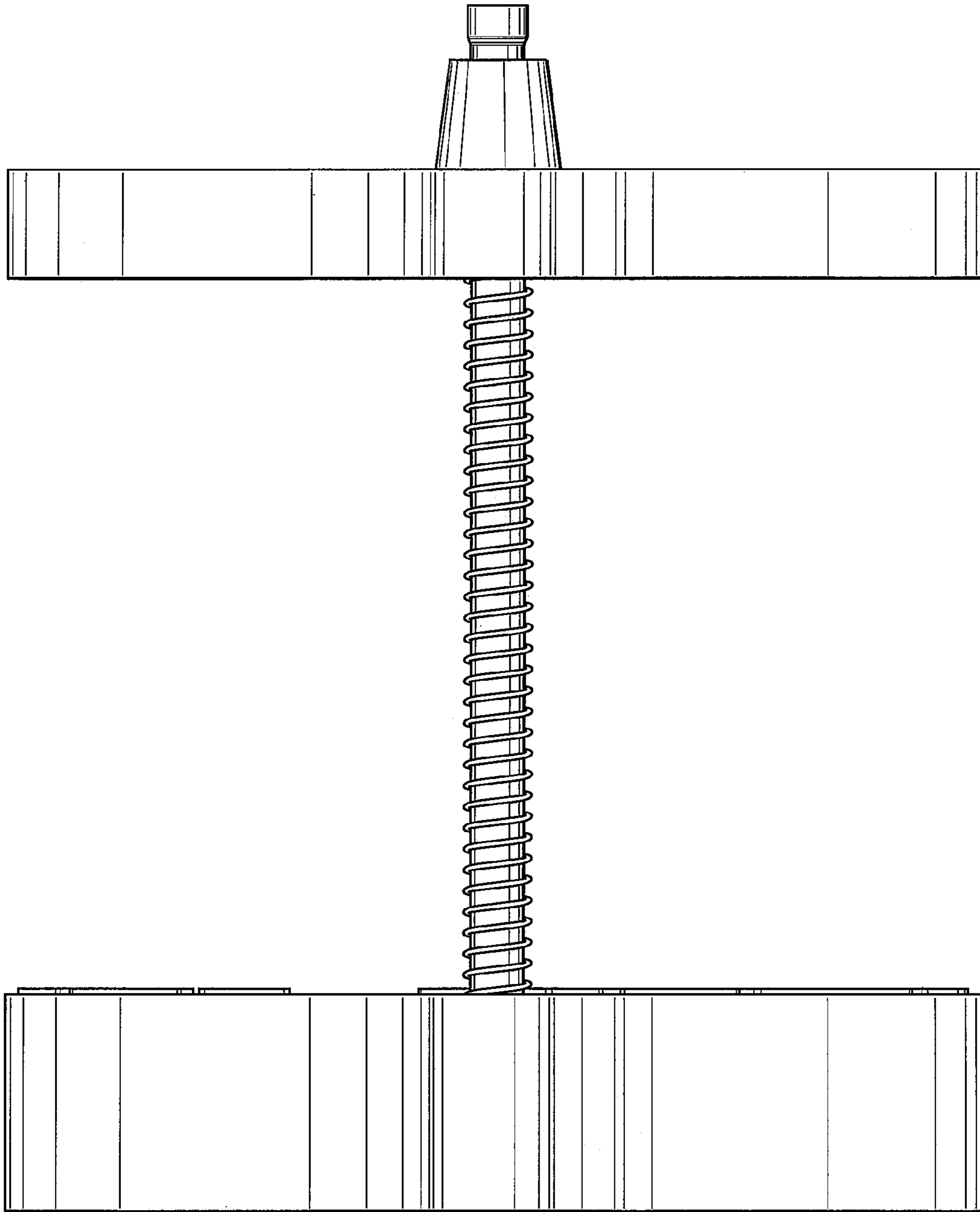


FIG. 5

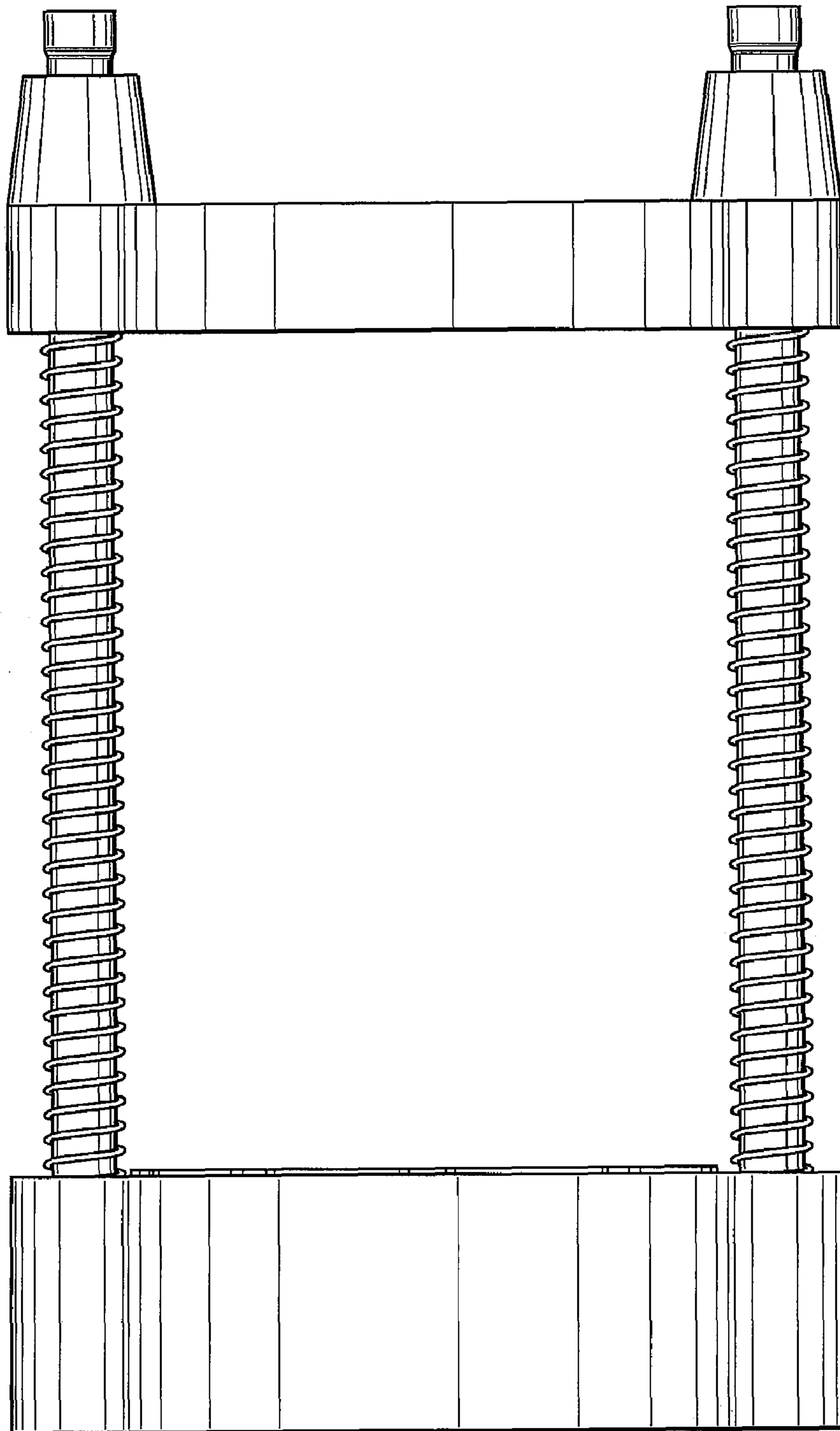


FIG. 6

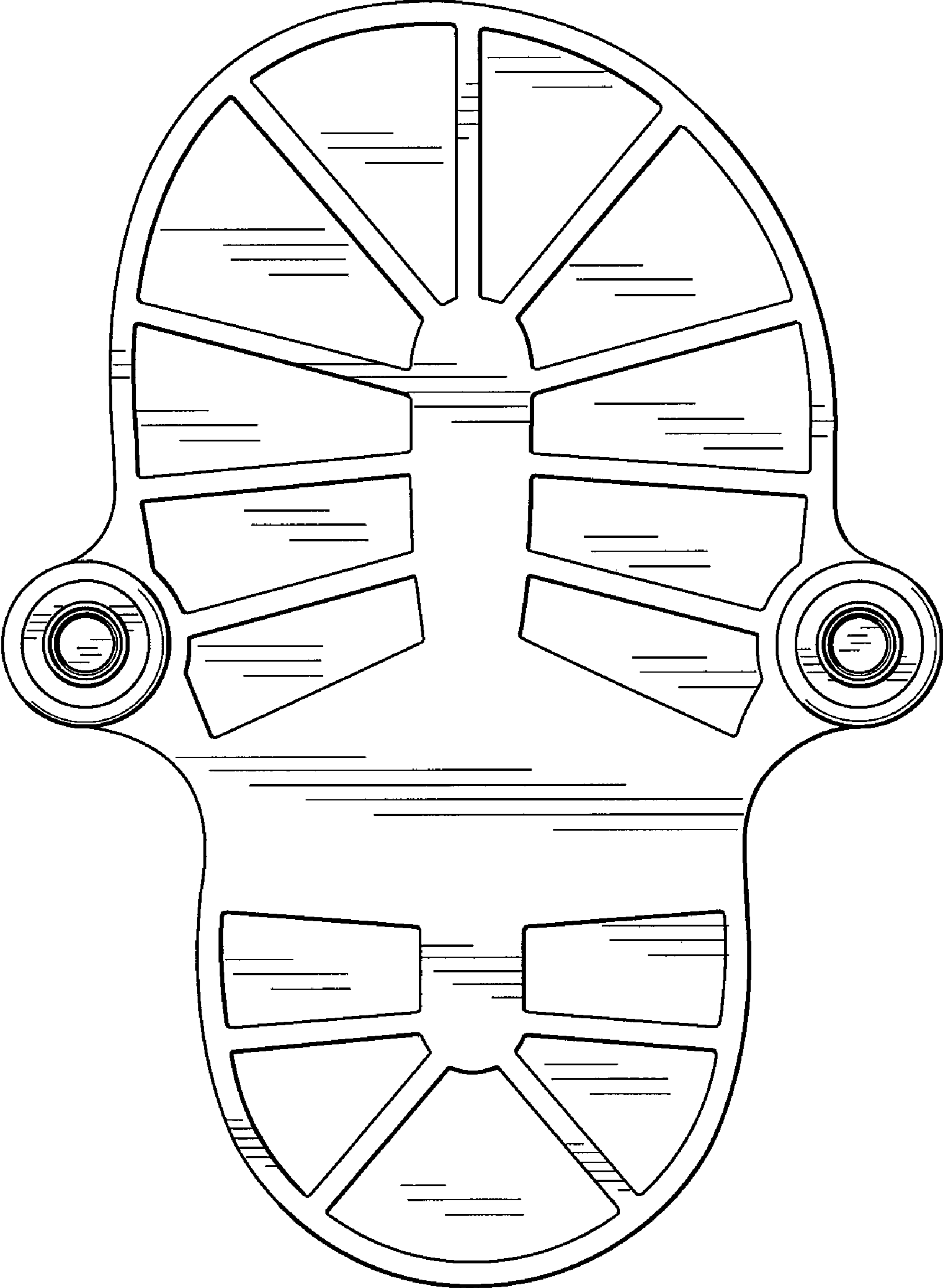


FIG. 7

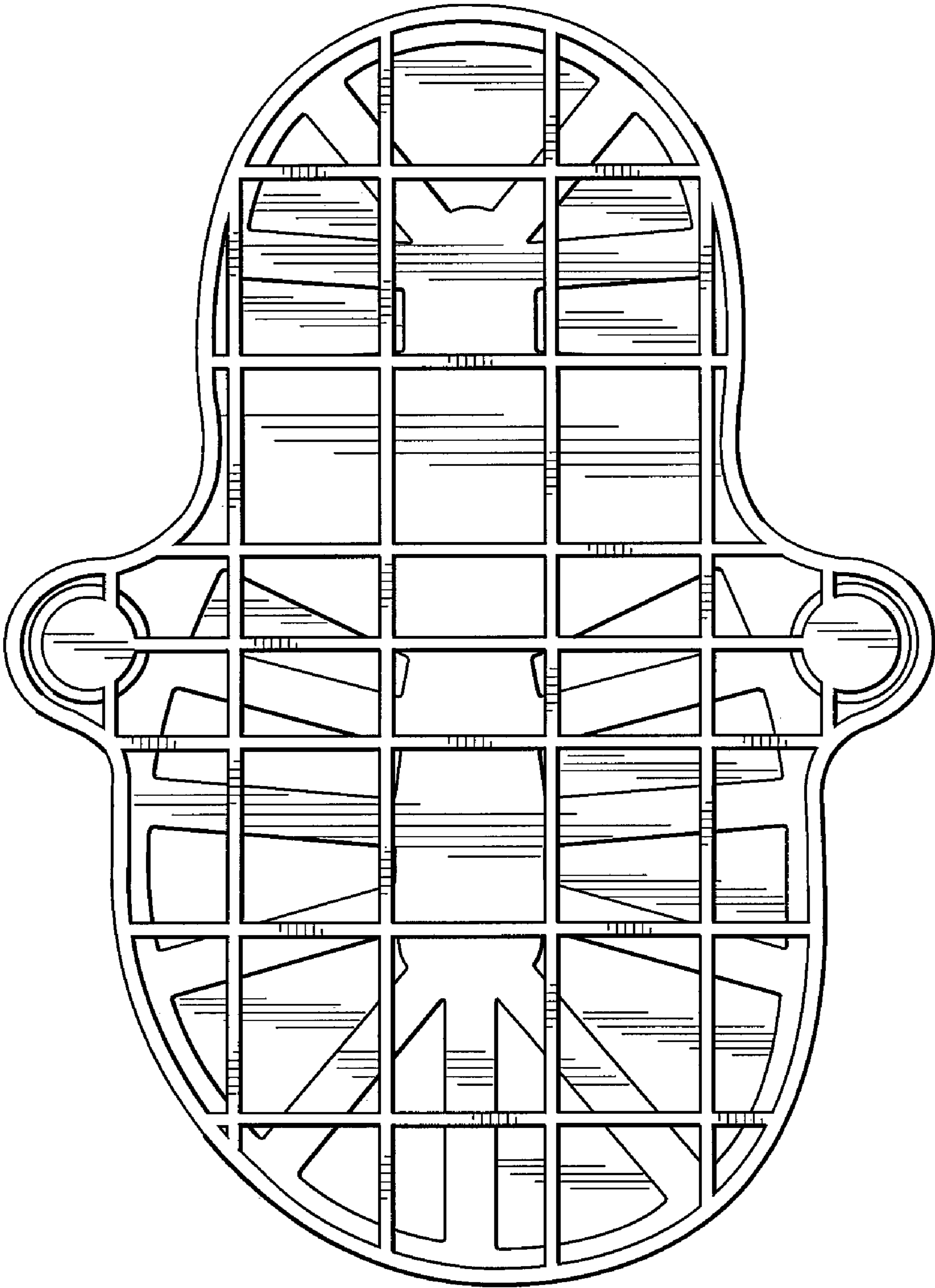


FIG. 8