

US00D597559S

(12) **United States Design Patent**
Takagi

(10) **Patent No.:** **US D597,559 S**

(45) **Date of Patent:** **** Aug. 4, 2009**

(54) **DISC PLAYER**

D484,481 S 12/2003 Murakami
D484,866 S 1/2004 Tanaka
D503,392 S * 3/2005 Naito et al. D14/509

(75) Inventor: **Noriaki Takagi**, Tokyo (JP)

(73) Assignee: **Sony Corporation**, Tokyo (JP)

* cited by examiner

(**) Term: **14 Years**

Primary Examiner—Nanda Bondade
(74) *Attorney, Agent, or Firm*—Rader, Fishman & Grauer, PLLC

(21) Appl. No.: **29/313,761**

(22) Filed: **May 4, 2004**

(57) **CLAIM**

(51) **LOC (9) Cl.** **14-01**

The ornamental design for a disc player, as shown.

(52) **U.S. Cl.** **D14/509**

(58) **Field of Classification Search** D14/496,
D14/498–511, 167–168, 203.6; 360/99.02,
360/99.07; 369/75.11, 75.21, 77.11, 77.21;
720/601, 612, 619, 649, 655; 455/344, 347–351
See application file for complete search history.

DESCRIPTION

FIG. 1 is a perspective view of a disc player showing my new design;

FIG. 2 is a front elevational view thereof;

FIG. 3 is a rear elevational view thereof;

FIG. 4 is a left side elevational view thereof;

FIG. 5 is a right side elevational view thereof;

FIG. 6 is a top plan view thereof; and,

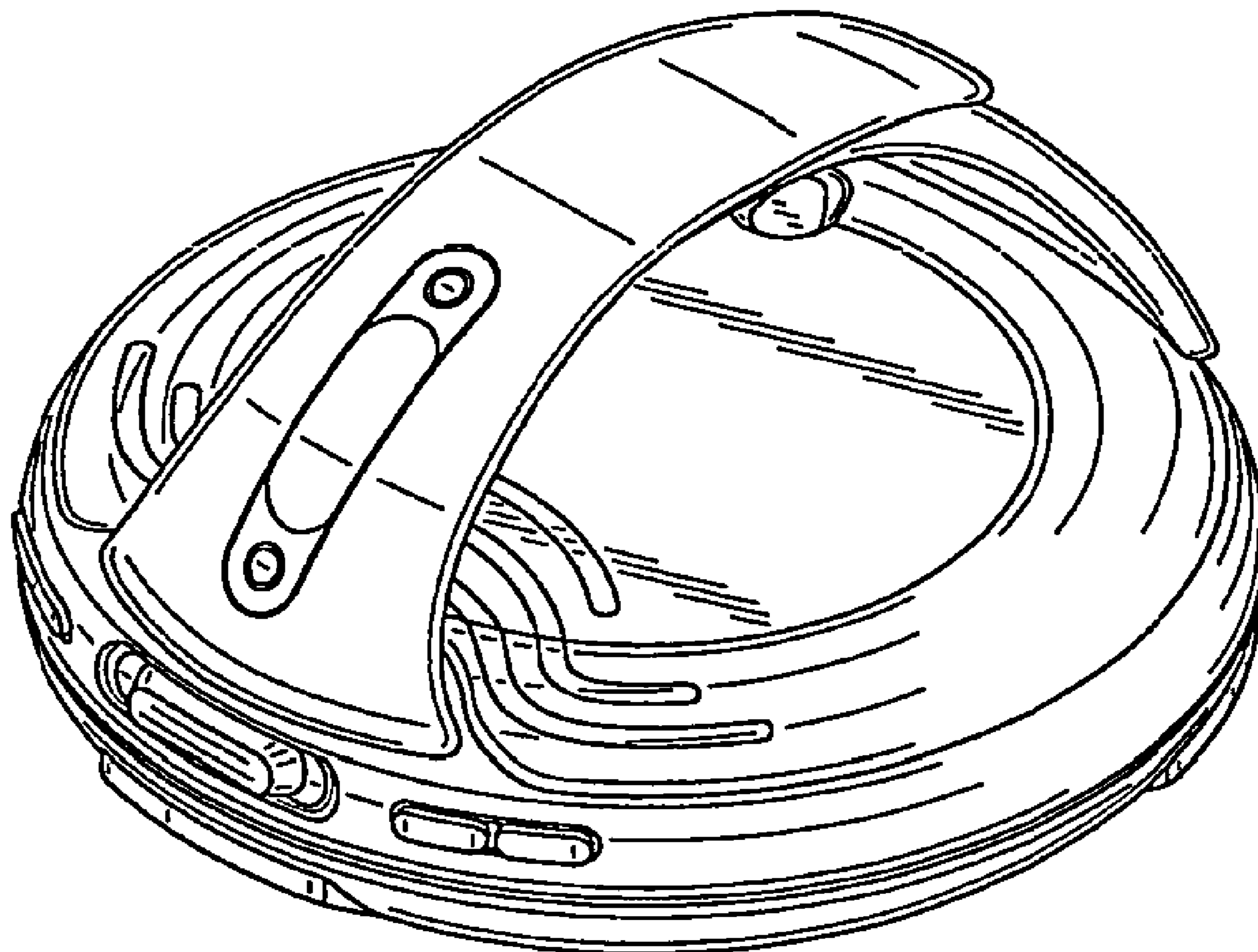
FIG. 7 is a bottom plan view thereof.

(56) **References Cited**

U.S. PATENT DOCUMENTS

D427,988 S * 7/2000 Haney D14/509
D441,736 S * 5/2001 Yoneda D14/509
D457,871 S 5/2002 Kobayashi
D462,942 S 9/2002 Murakami
D480,700 S 10/2003 Hirano

1 Claim, 4 Drawing Sheets



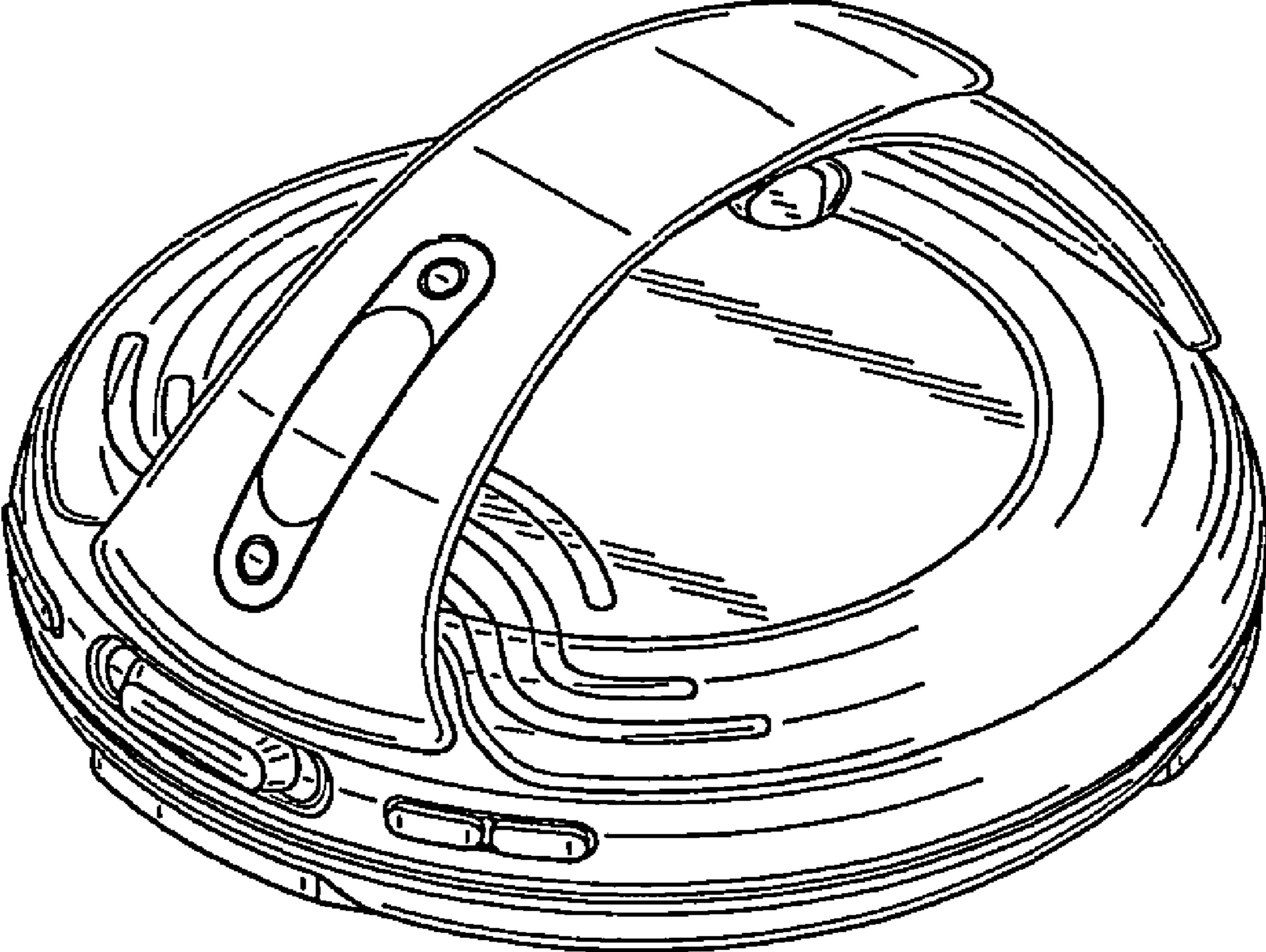


FIG. 1

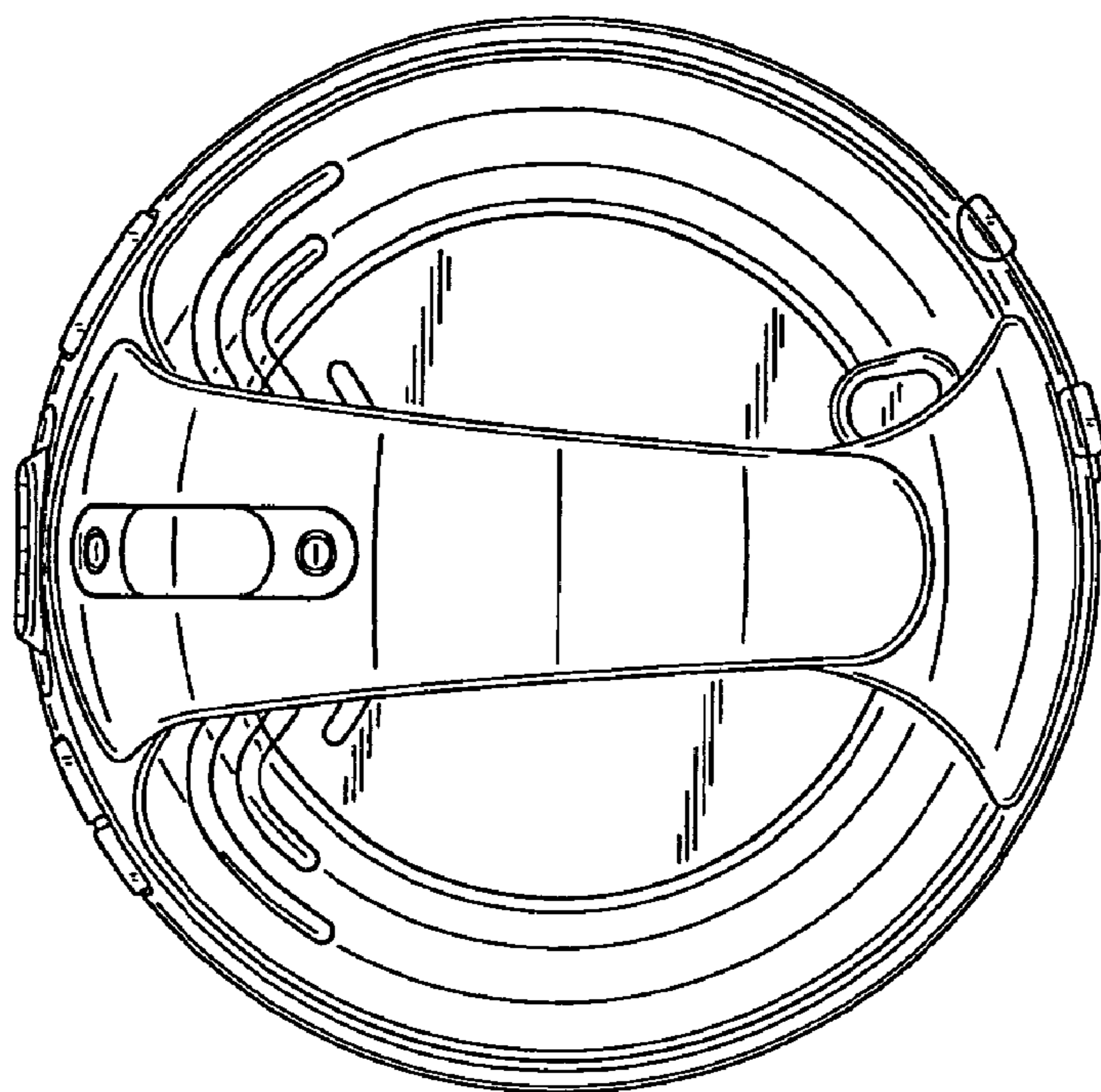


FIG. 2

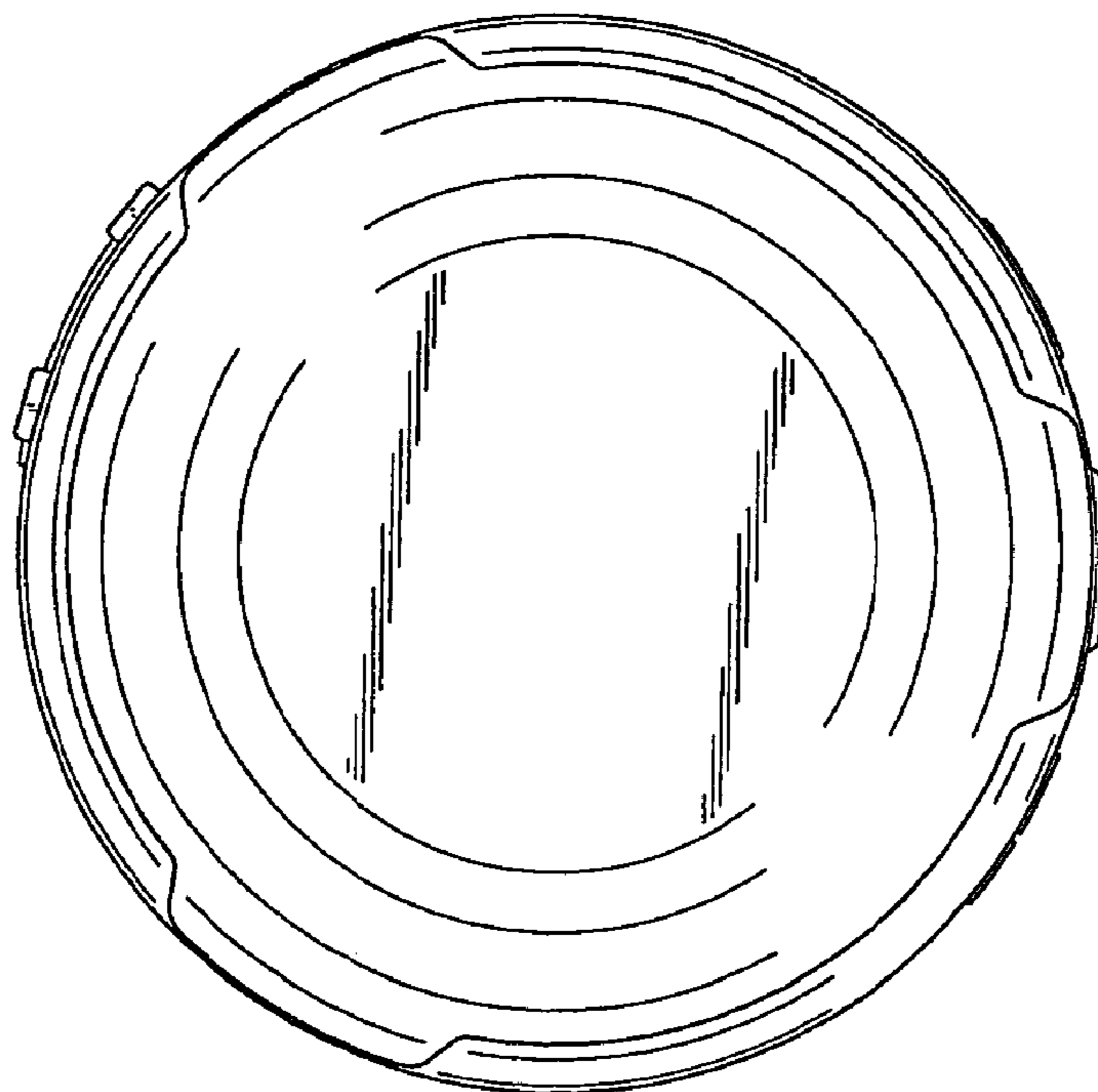


FIG. 3

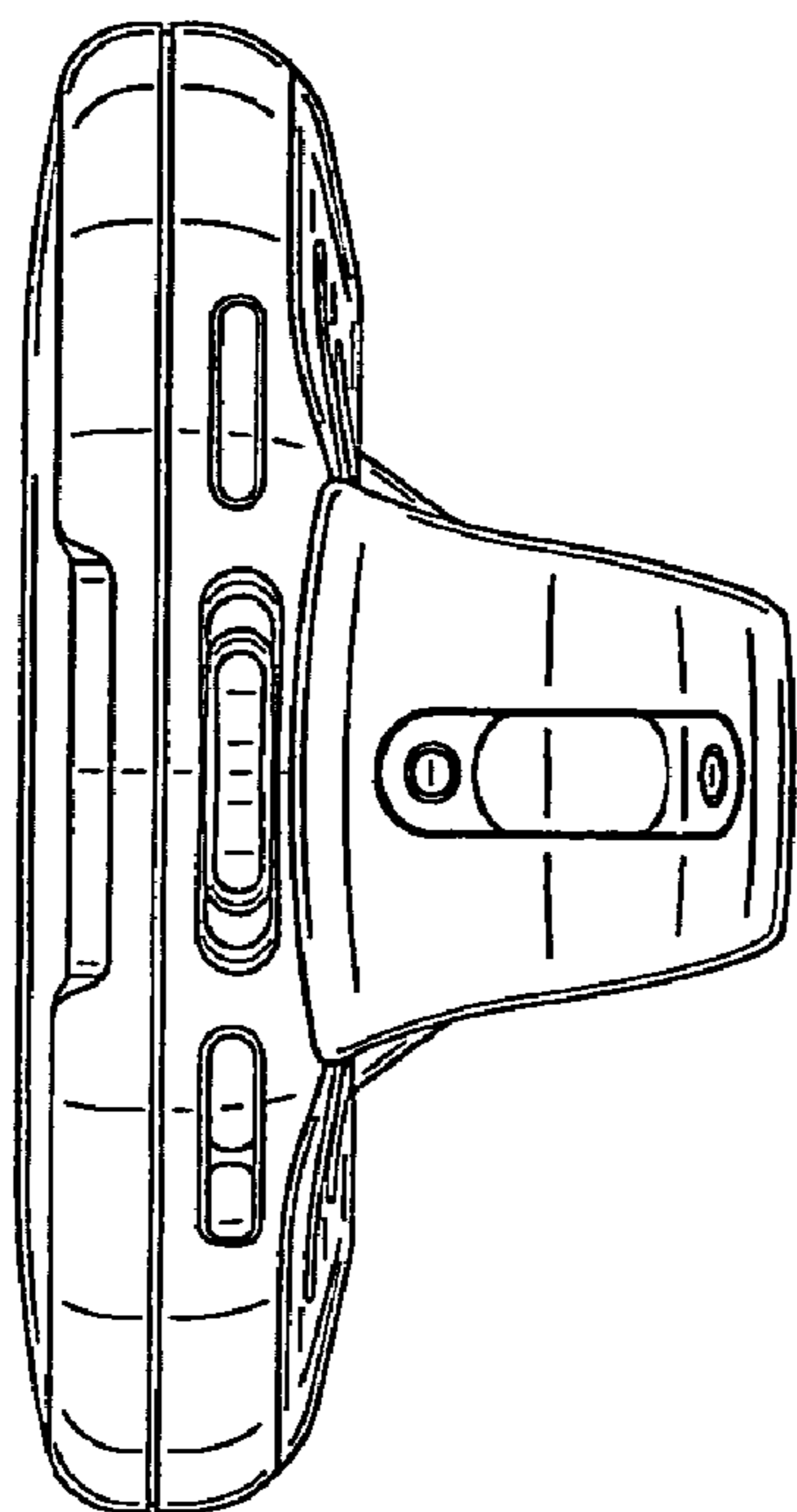


FIG. 4

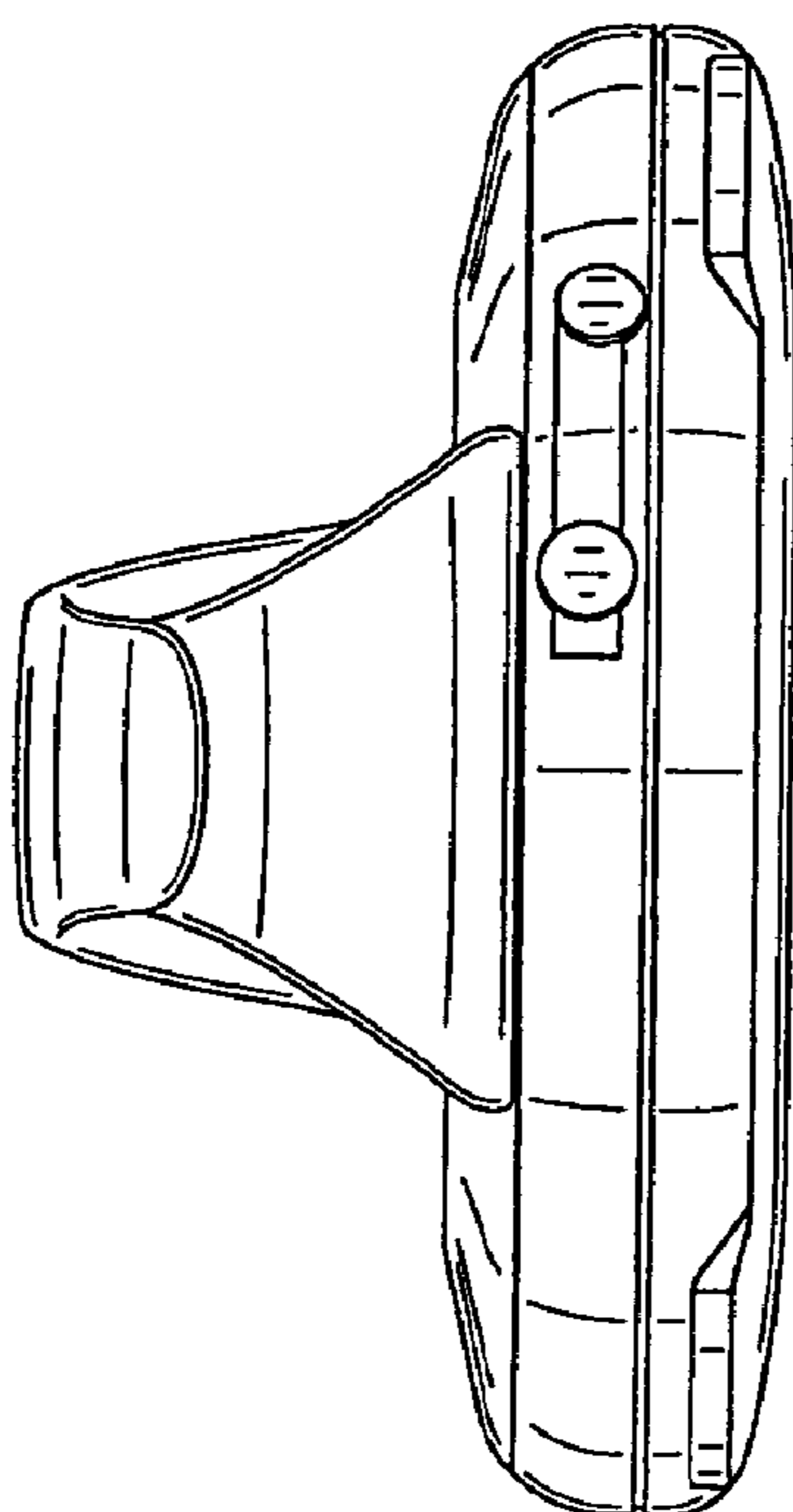


FIG. 5

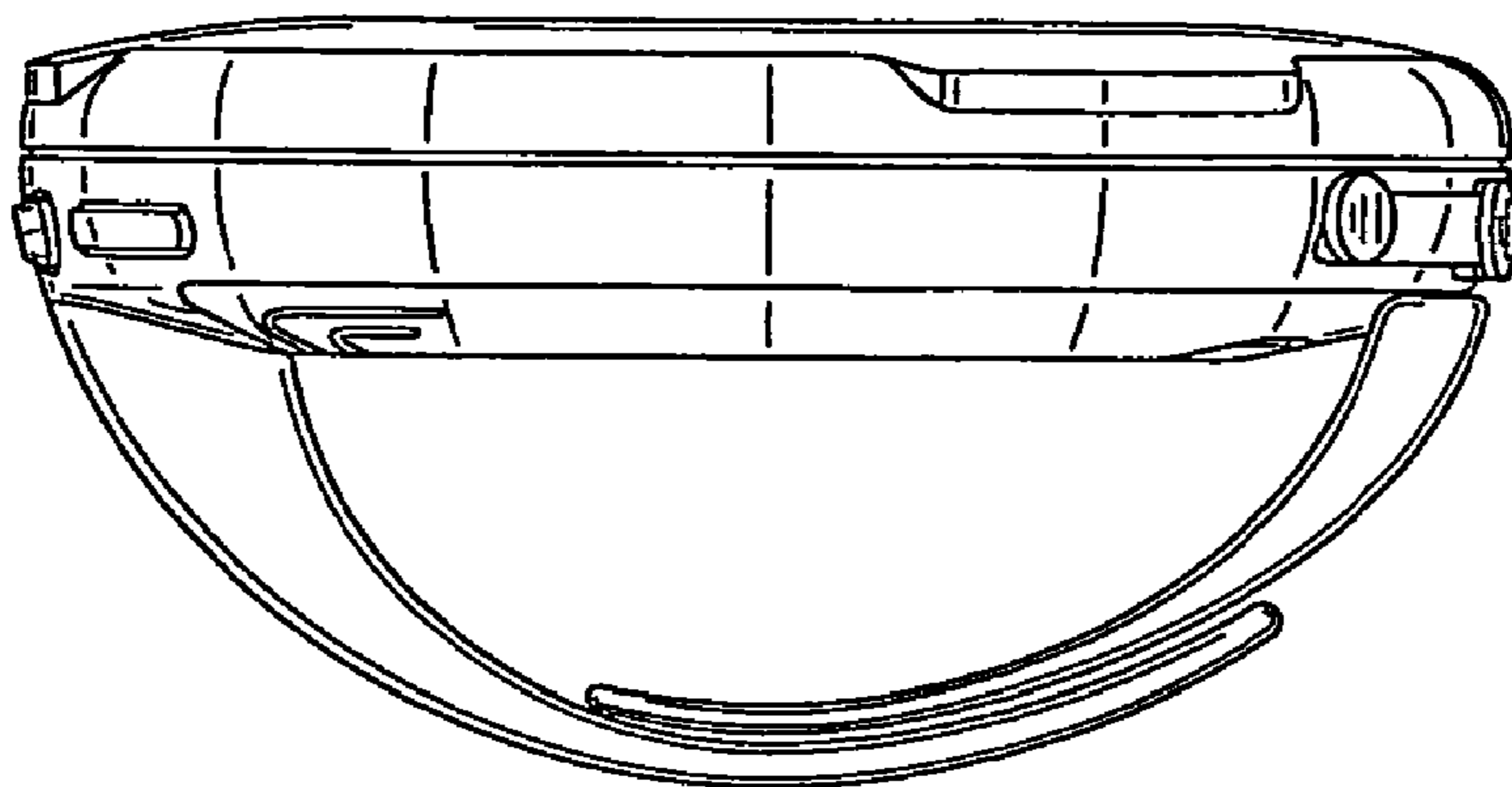


FIG. 6

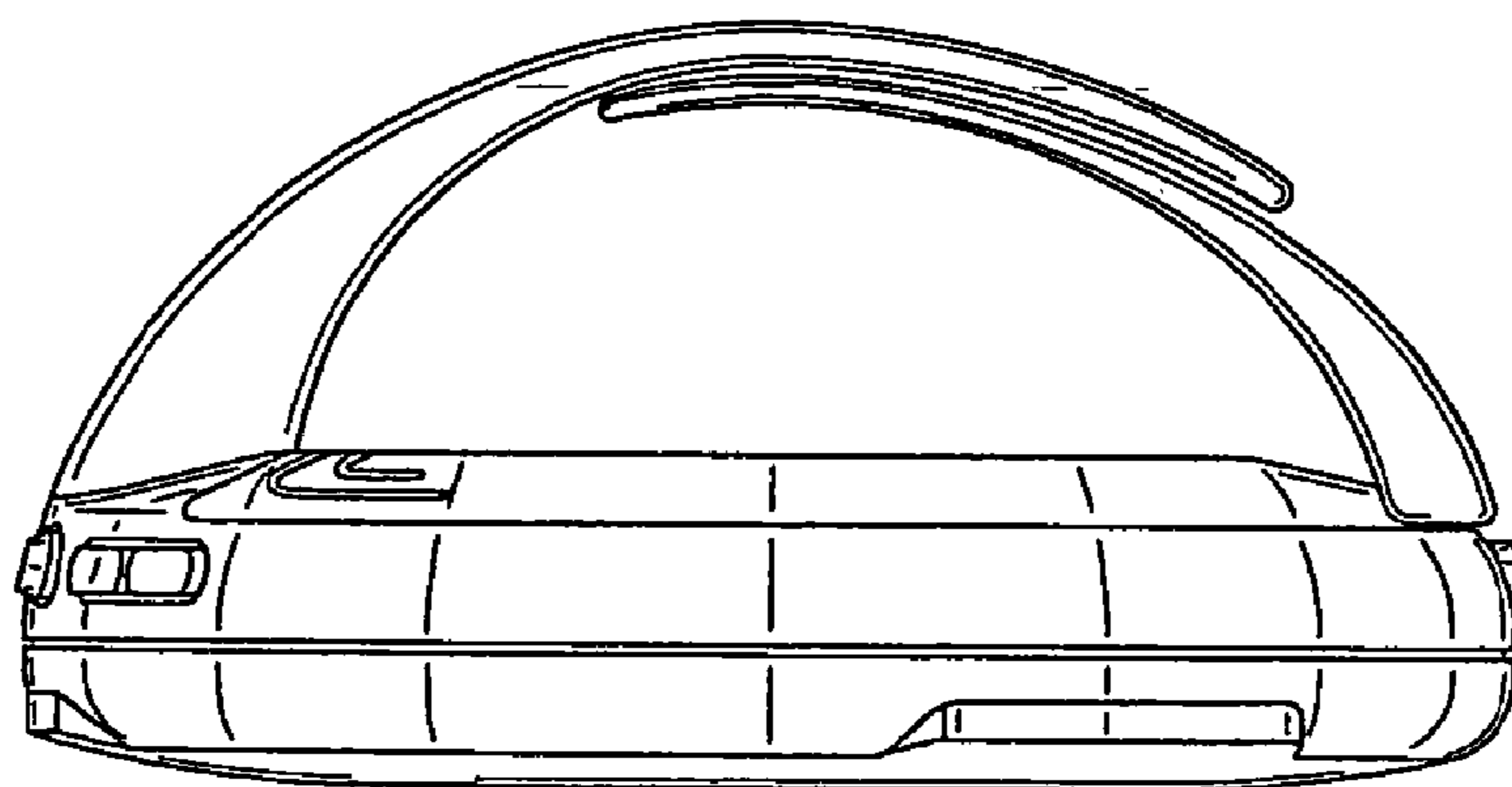


FIG. 7