

US00D597551S

(12) **United States Design Patent**
Stone et al.

(10) **Patent No.:** **US D597,551 S**

(45) **Date of Patent:** **** Aug. 4, 2009**

(54) **USER INTERFACE FOR A DISPLAY SCREEN**

(75) Inventors: **Jeffrey S. Stone**, Bellevue, WA (US);
Eddie L. Mays, Renton, WA (US)

(73) Assignee: **Microsoft Corporation**, Redmond, WA (US)

(**) Term: **14 Years**

(21) Appl. No.: **29/317,341**

(22) Filed: **Apr. 28, 2008**

(51) **LOC (9) Cl.** **32-00**

(52) **U.S. Cl.** **D14/486**

(58) **Field of Classification Search** D14/485-95;
D18/24-33; D19/6, 52; D20/11; D21/324-33;
715/700-867, 973-77

See application file for complete search history.

(56) **References Cited**

U.S. PATENT DOCUMENTS

- D475,718 S * 6/2003 Witus et al. D14/486
- D544,870 S * 6/2007 Evans et al. D14/485
- D545,827 S * 7/2007 Evans et al. D14/485

- D550,691 S * 9/2007 Hally et al. D14/487
- D554,138 S * 10/2007 Evans et al. D14/486
- D559,853 S * 1/2008 Evans et al. D14/485
- D565,582 S * 4/2008 Gunn et al. D14/487
- D566,717 S * 4/2008 Evans et al. D14/486
- D570,364 S * 6/2008 Myers et al. D14/487
- D574,010 S * 7/2008 Borovsky et al. D14/487
- D578,133 S * 10/2008 Jasinski D14/486
- D582,425 S * 12/2008 Edwards et al. D14/486

* cited by examiner

Primary Examiner—Melanie H Tung

(74) *Attorney, Agent, or Firm*—Banner & Witcoff, Ltd.

(57) **CLAIM**

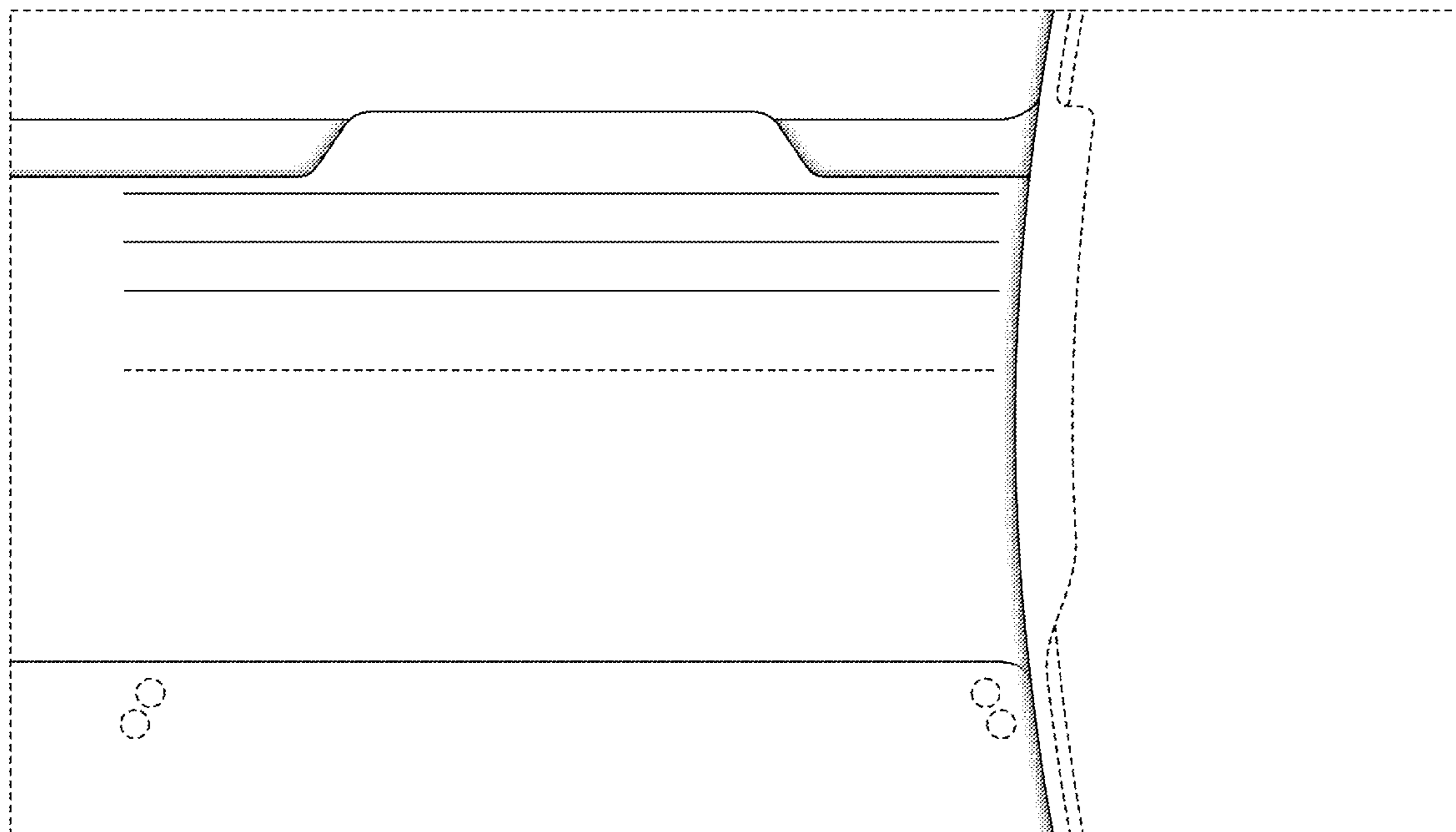
The ornamental design for a user interface for a display screen, as shown and described.

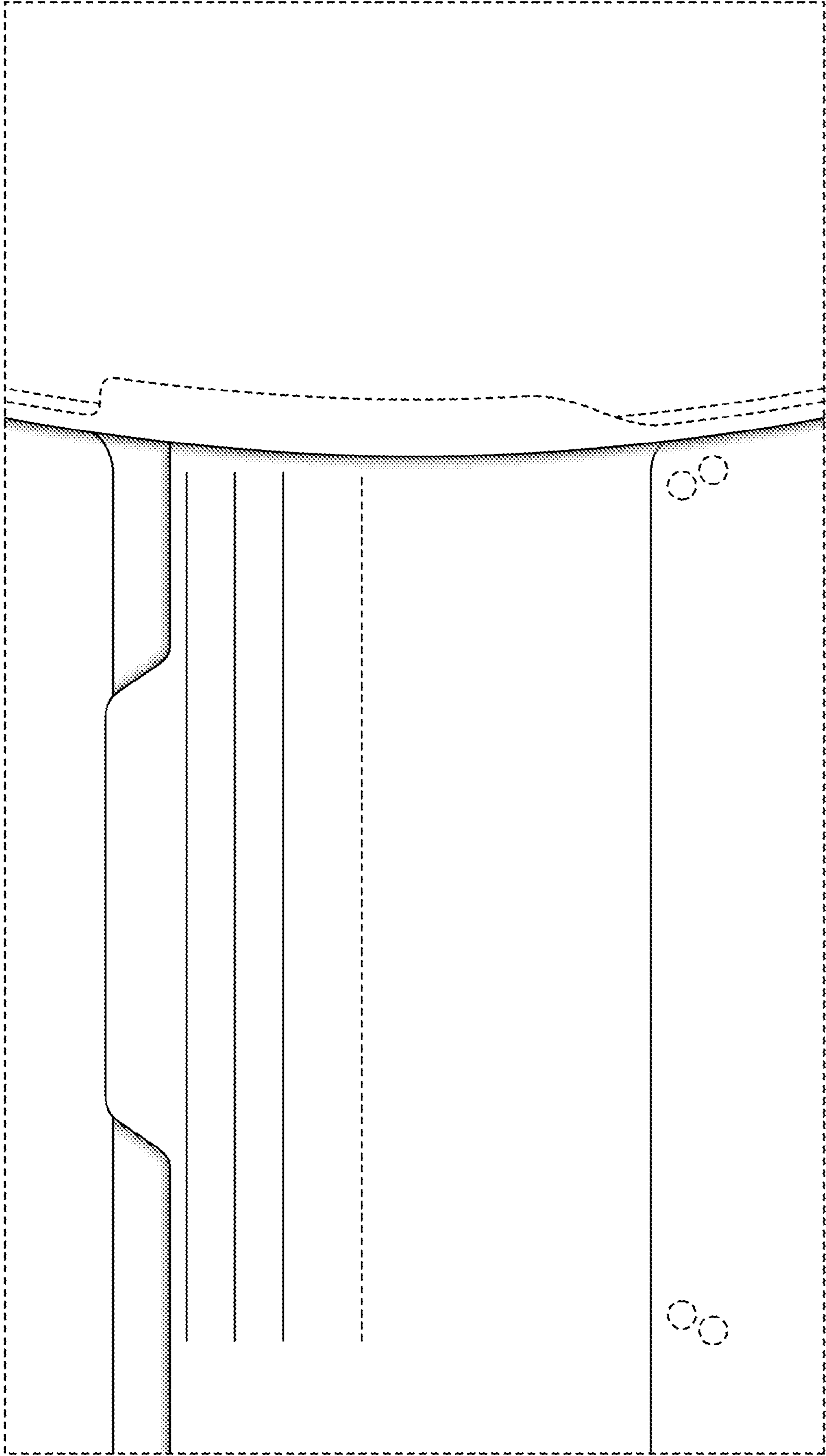
DESCRIPTION

The FIGURE is a front view of a user interface for a display screen showing our new design.

The broken line showing of portions of the user interface and of the display screen is for illustrative purposes only and forms no part of the claimed design.

1 Claim, 1 Drawing Sheet





FIGURE