



US00D597547S

(12) **United States Design Patent**
Smith

(10) **Patent No.:** **US D597,547 S**

(45) **Date of Patent:** **** Aug. 4, 2009**

(54) **FINGER SHEATH WITH RETRACTABLE
STYLUS**

(76) **Inventor:** **Howard Smith**, 42554 Drennon Ct.,
Temecula, CA (US) 92592

(**) **Term:** **14 Years**

(21) **Appl. No.:** **29/291,837**

(22) **Filed:** **Sep. 17, 2007**

(51) **LOC (9) Cl.** **14-02**

(52) **U.S. Cl.** **D14/411**

(58) **Field of Classification Search** D14/402-411,
D14/356, 388, 389, 383-385, 417, 426; 345/156-167,
345/179; 463/36-38; 358/417-473; D19/35,
D19/36, 41, 43, 51, 54, 56, 57; D3/29
See application file for complete search history.

(56) **References Cited**

U.S. PATENT DOCUMENTS

36,652	A *	10/1862	Jacobs	401/8
1,379,777	A *	5/1921	Oijerholm	223/101
1,473,953	A *	11/1923	Dart	242/149
2,415,957	A *	2/1947	McCormack	223/101
D238,357	S *	1/1976	Di Carlo	D19/36
5,453,759	A *	9/1995	Seebach	345/158
5,803,322	A *	9/1998	Boone et al.	223/101
5,885,018	A *	3/1999	Sato	401/8
D418,494	S *	1/2000	Robb	D14/411
D418,540	S *	1/2000	Robb	D14/411
6,075,189	A *	6/2000	Robb	84/322
D440,570	S *	4/2001	Schneider	D14/411
6,225,988	B1 *	5/2001	Robb	345/179
D443,301	S *	6/2001	Robb	D19/36
D458,933	S *	6/2002	Schneider	D14/411
D462,718	S *	9/2002	Kobayashi	D19/57
D462,993	S *	9/2002	Kobayashi	D19/57

6,533,480	B2 *	3/2003	Schneider	401/8
6,669,388	B1 *	12/2003	Short	401/8
D487,896	S *	3/2004	Tanner, Jr.	D14/411
6,702,500	B1 *	3/2004	Haffner et al.	401/258
D497,952	S *	11/2004	Bain	D19/56
6,905,271	B1 *	6/2005	Short	401/8
2002/0101401	A1 *	8/2002	Movahed	345/156

* cited by examiner

Primary Examiner—Cathron C Brooks

Assistant Examiner—Deanna Fluegeman

(74) *Attorney, Agent, or Firm*—Biotech Beach Law Group
PC

(57) **CLAIM**

I claim the ornamental design for a finger sheath with retractable stylus, as shown and described.

DESCRIPTION

FIG. 1 is a front, left, top view of the finger sheath with retractable stylus shown with the stylus in an extended or open configuration;

FIG. 2 is a right side elevational view thereof;

FIG. 3 is a left side elevational view thereof;

FIG. 4 is a top plan view thereof;

FIG. 5 is a bottom plan view thereof;

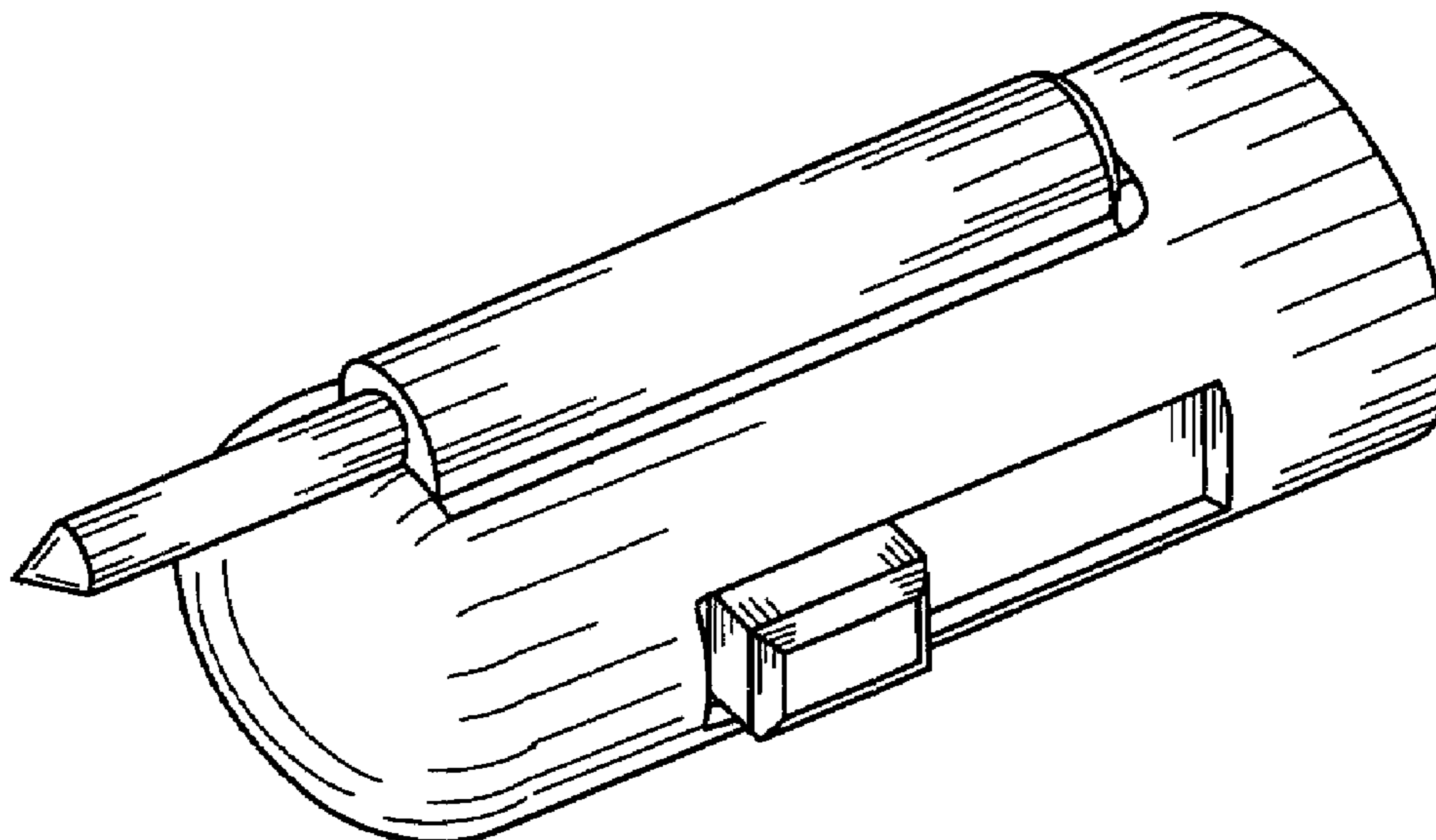
FIG. 6 is a front elevational view thereof;

FIG. 7 is a rear elevational view thereof;

FIG. 8 is a rear, left, top view of the claimed design shown in an alternate position of use, wherein the stylus is depicted in a retracted or closed configuration; and,

FIG. 9 is a left side elevational view thereof.

1 Claim, 3 Drawing Sheets



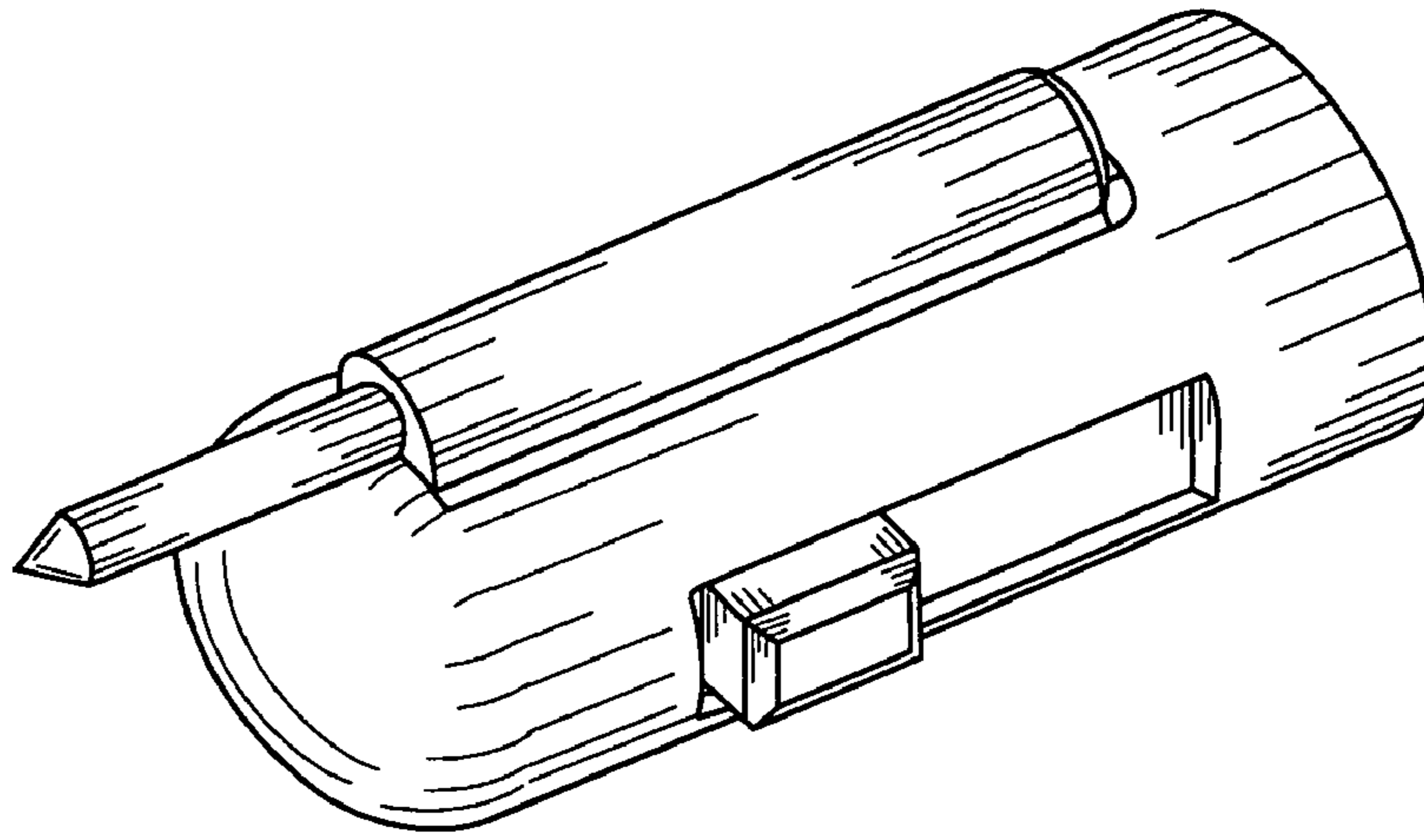


FIG. 1

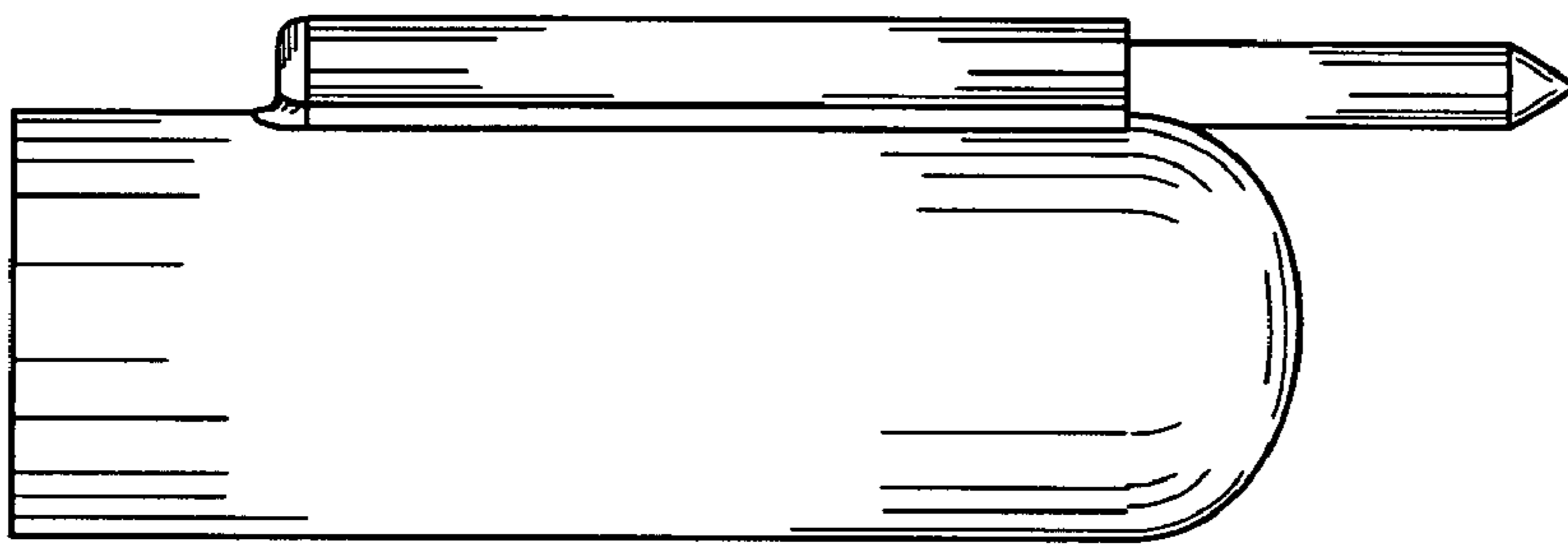


FIG. 2

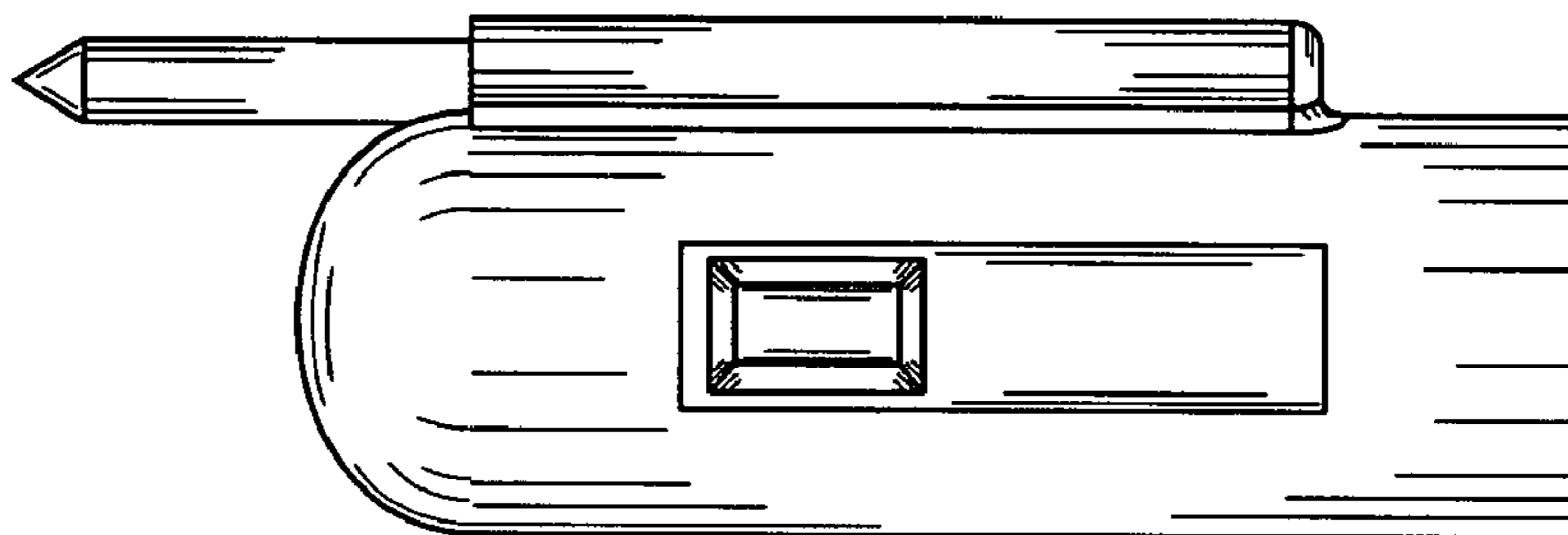


FIG. 3

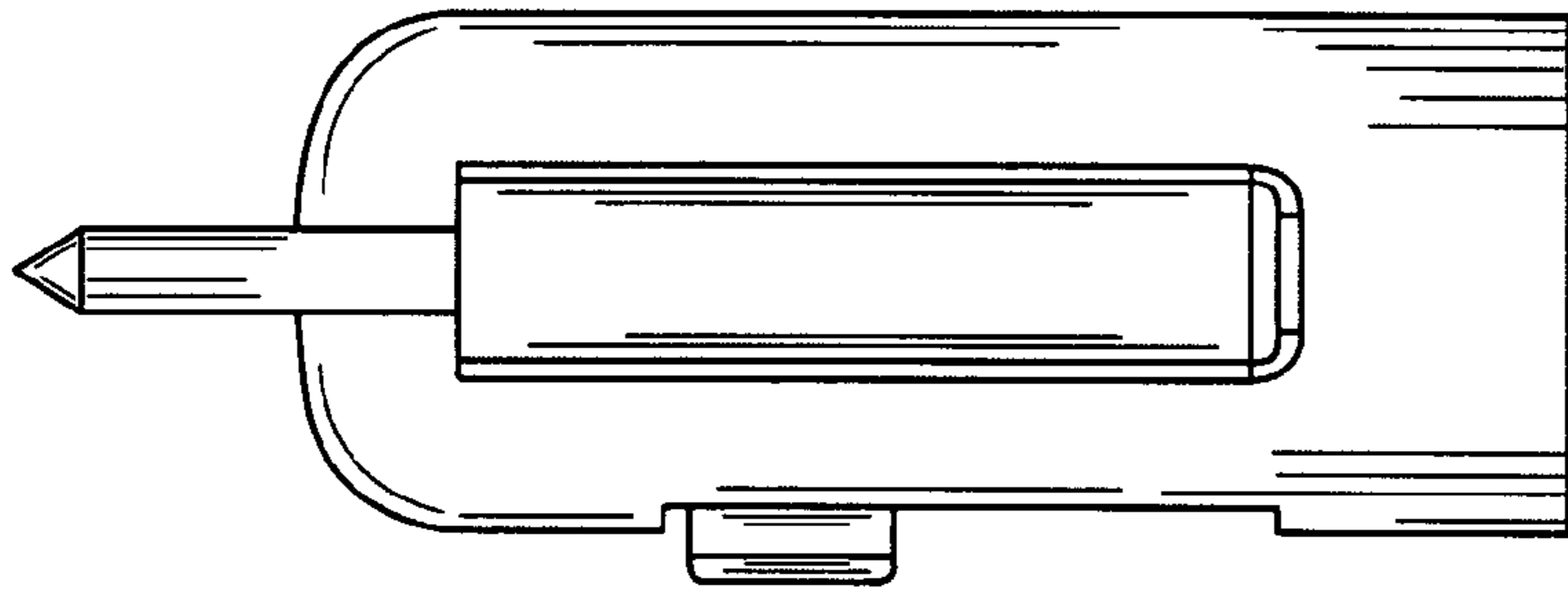


FIG. 4

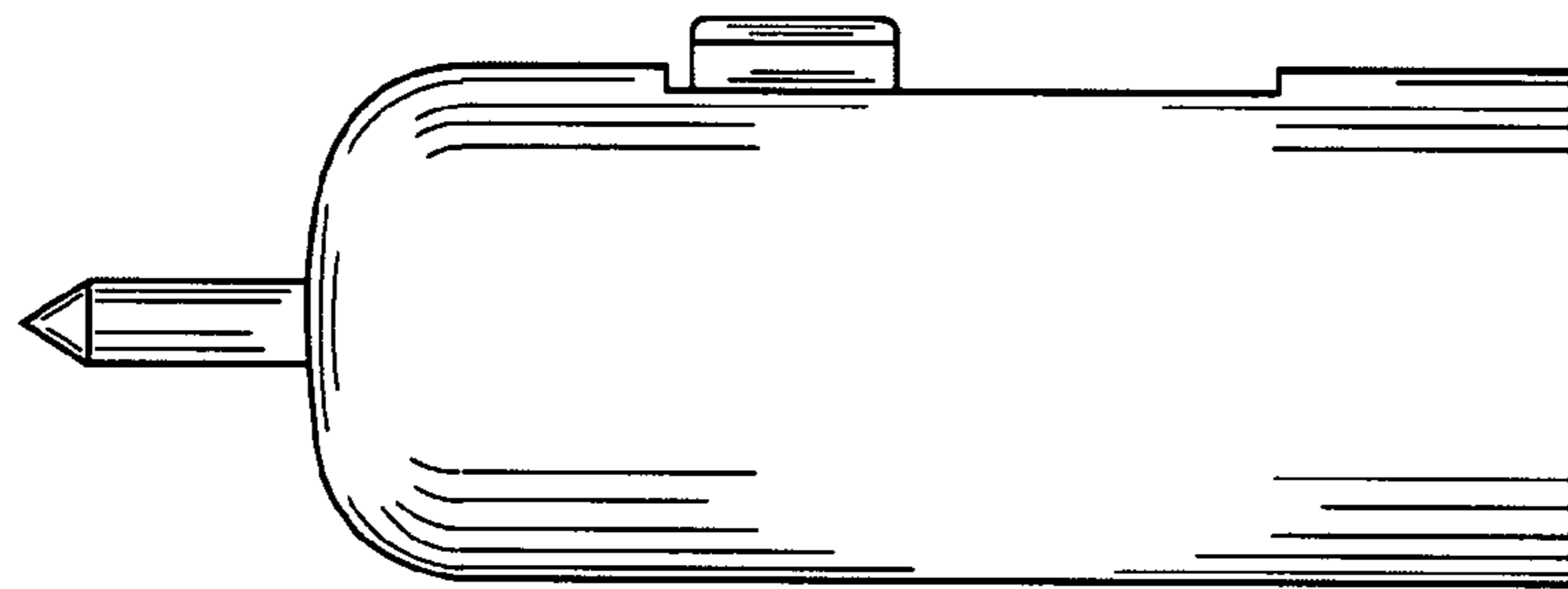


FIG. 5

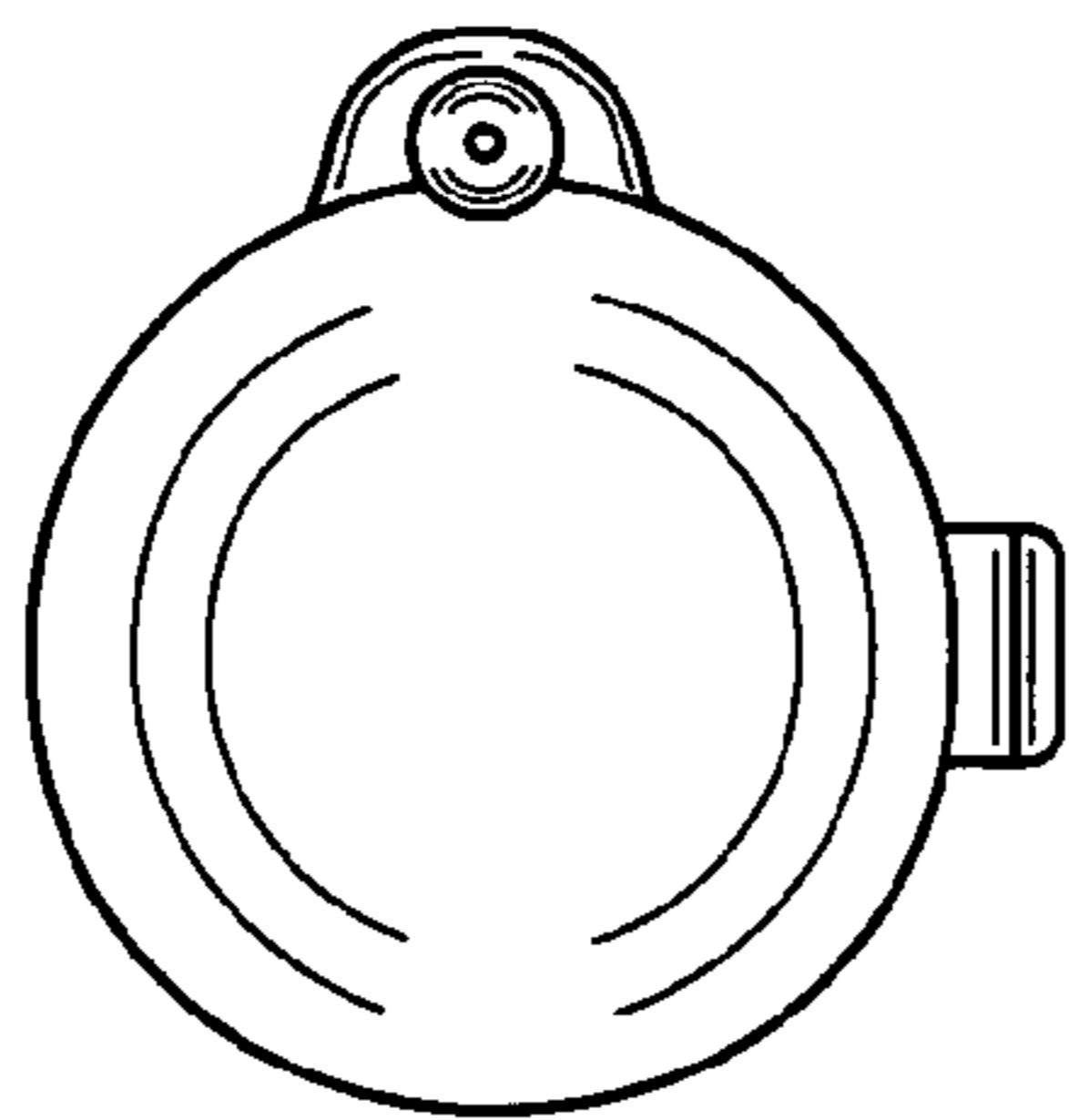


FIG. 6

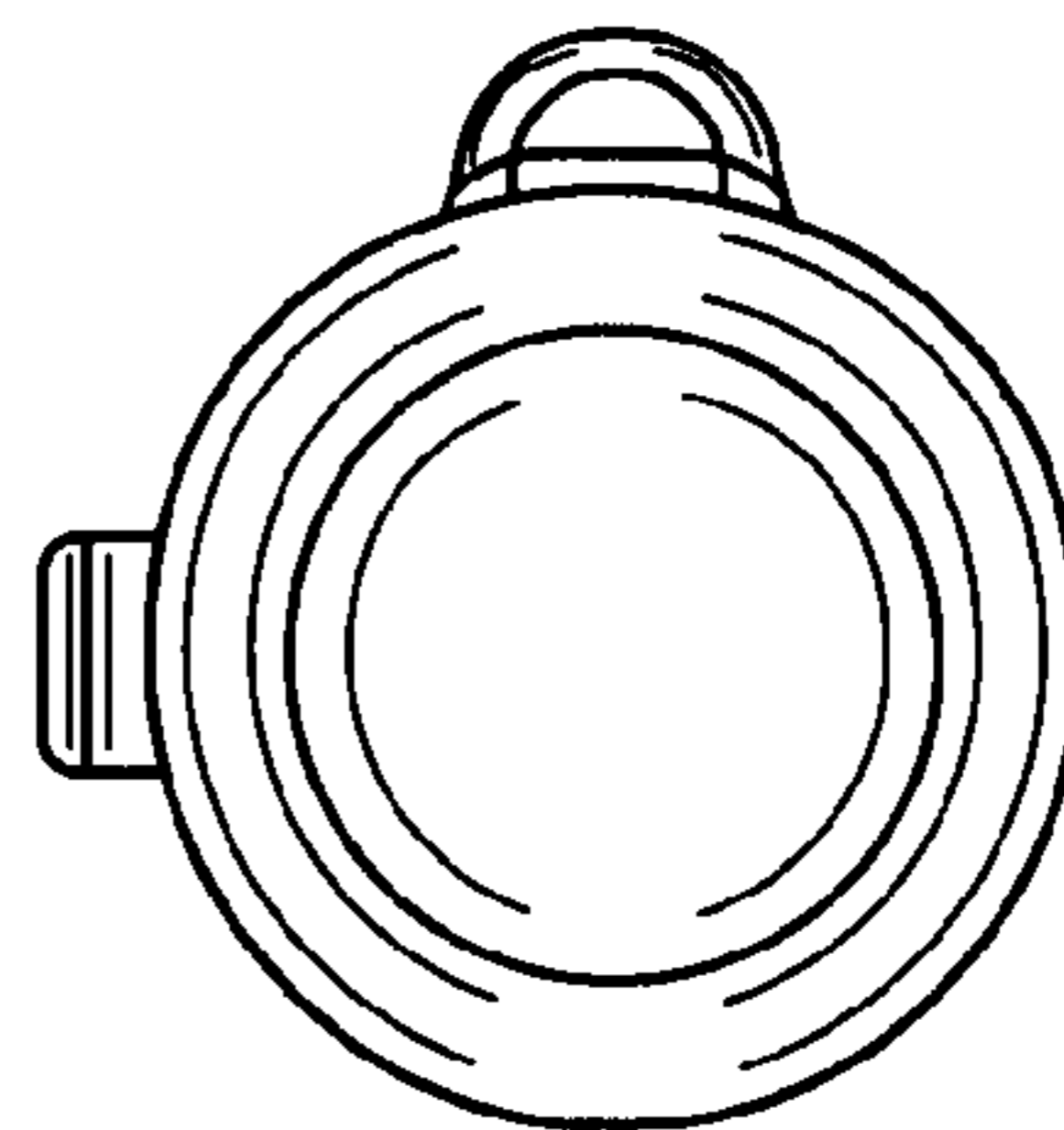


FIG. 7

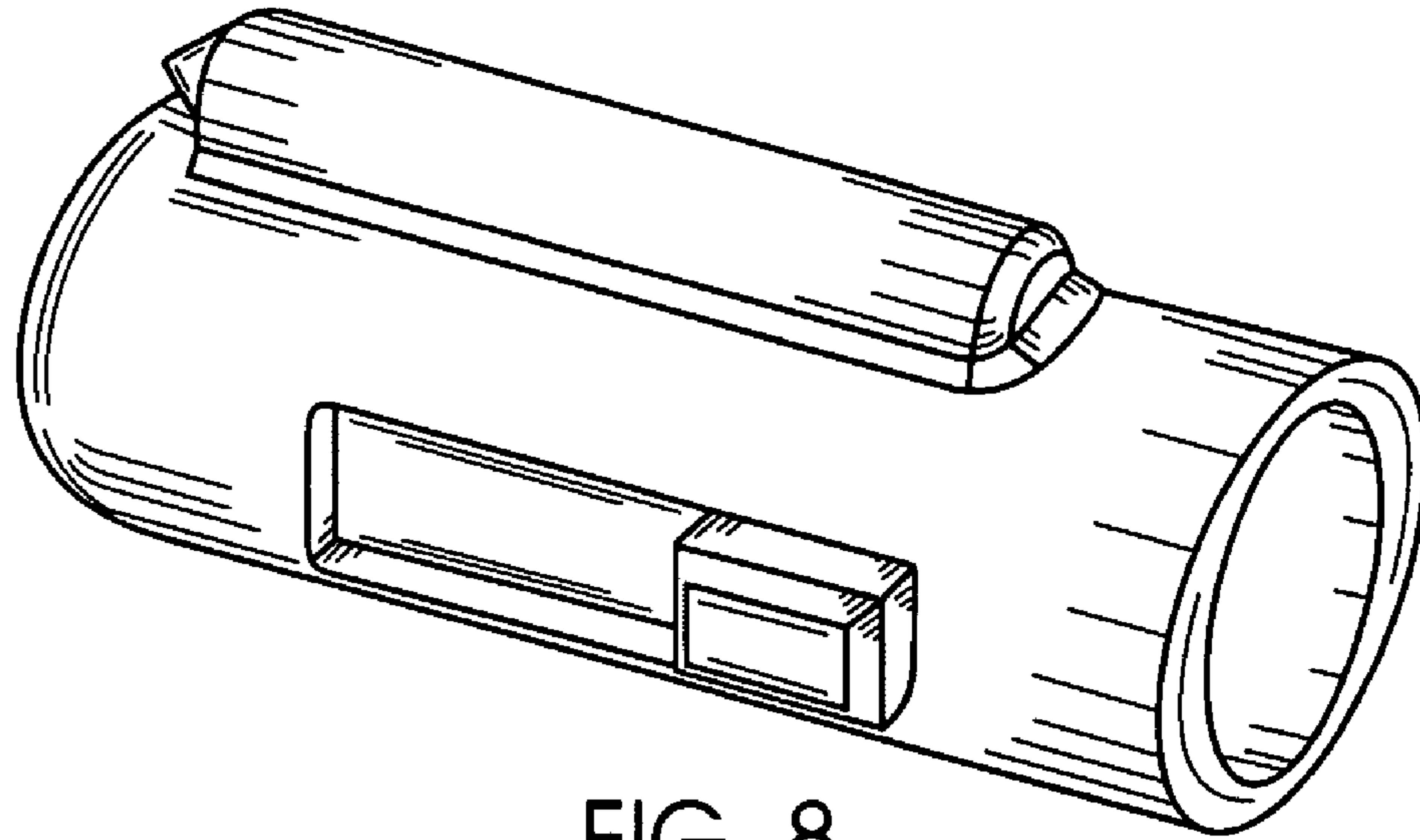


FIG. 8

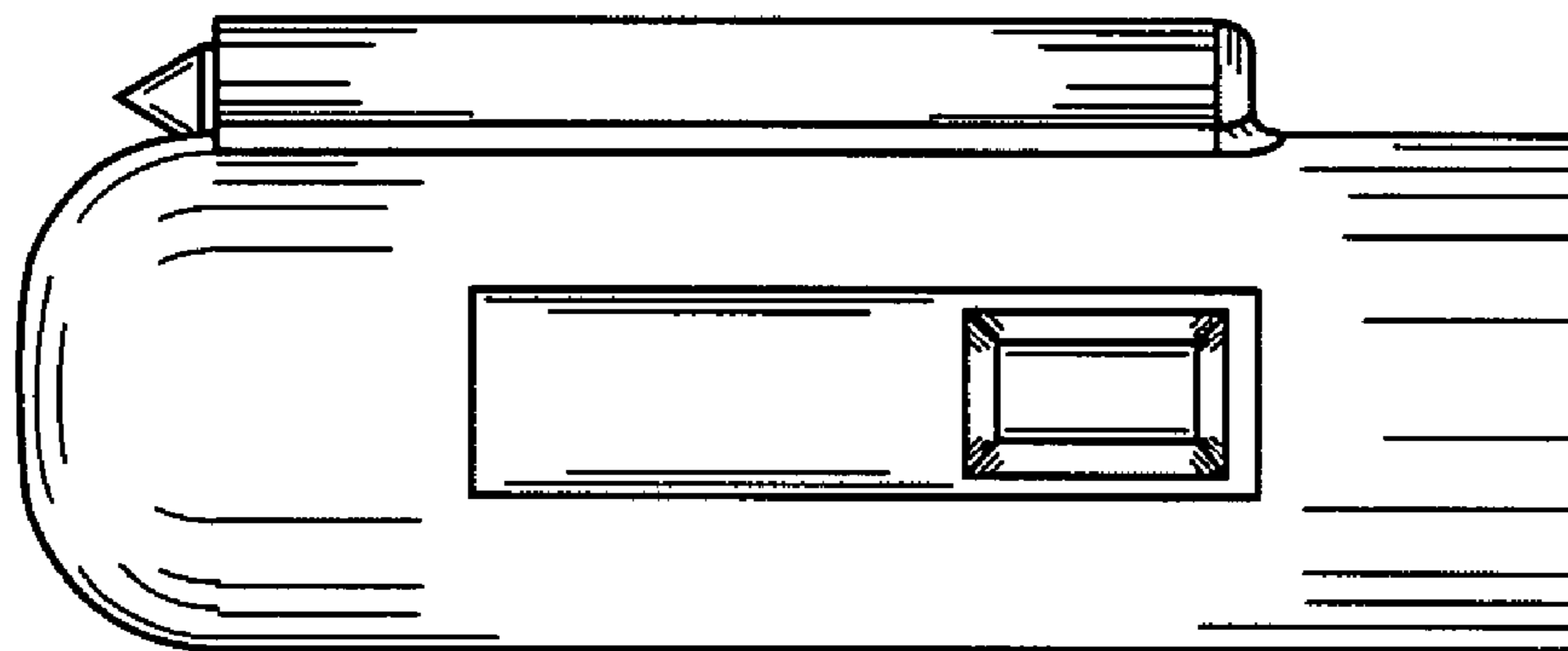


FIG. 9