



US00D597539S

(12) **United States Design Patent**
Nenonen

(10) **Patent No.:** **US D597,539 S**

(45) **Date of Patent:** **** *Aug. 4, 2009**

(54) **FRONT COVER OF A HANDSET**

D580,902 S * 11/2008 Bolton et al. D14/138 R
2007/0296702 A1 * 12/2007 Strawn et al. 345/169

(75) Inventor: **Mika Nenonen**, Copenhagen (DK)

OTHER PUBLICATIONS

(73) Assignee: **Nokia Corporation**, Espoo (FI)

Sony Ericsson K618, announced Aug. 2006, <URL:http://www.gsmarena.com/sony_ericsson_k618-pictures-1660.php>, retrieved from internet Dec. 14, 2008 2:20:59 PM.*

(*) Notice: This patent is subject to a terminal disclaimer.

LG KP130, announced Feb. 2008, <URL:http://www.gsmarena.com/lg_kp130-2310.php>, retrieved from internet Dec. 14, 2008 2:26:42 PM.*

(**) Term: **14 Years**

Nokia Model # 6300, Nokia Corporation, 1 color sheet of photographs, disclosed on or about Nov. 2006.

(21) Appl. No.: **29/304,434**

Nokia Model #6220, Nokia Corporation, 1 color sheet of photographs, disclosed on or about Feb. 11, 2008.

(22) Filed: **Feb. 29, 2008**

* cited by examiner

(51) **LOC (9) Cl.** **14-03**

(52) **U.S. Cl.** **D14/248**

(58) **Field of Classification Search** D14/137,
D14/138, 138 AA, 138 R, 147-148, 156,
D14/218, 247-248, 341-347, 390, 399, 455-456,
D14/496; D16/208; D21/329, 331, 333,
D21/517; 348/14.01-14.02; 361/814; 379/433.01-433.13;
455/90.3, 556.1-556.2, 566, 575.1, 575.3,
455/575.4; D13/164, 168; 439/165; 343/702;
345/167, 168, 169

Primary Examiner—Ian Simmons

Assistant Examiner—Carla Jobe Wright

(74) *Attorney, Agent, or Firm*—Banner & Witcoff, Ltd.

See application file for complete search history.

(57) **CLAIM**

The ornamental design for a front cover of a handset, as shown and described.

(56) **References Cited**

DESCRIPTION

U.S. PATENT DOCUMENTS

- D523,837 S * 6/2006 Lee D14/138 AA
- D532,767 S * 11/2006 Yoshino et al. D14/138 AA
- D539,257 S * 3/2007 Obata et al. D14/138 AA
- D545,800 S * 7/2007 Ou et al. D14/138 AA
- D546,314 S * 7/2007 Im D14/138 AA
- D549,208 S * 8/2007 Huang et al. D14/138 AA
- D560,648 S * 1/2008 Lee et al. D14/138 AA
- D563,379 S * 3/2008 Mai et al. D14/138 AA
- D570,833 S * 6/2008 He D14/248
- D575,282 S * 8/2008 Eroma et al. D14/248
- D576,589 S * 9/2008 Montin et al. D14/138 AA

FIG. 1 is a front perspective view of a front cover of a handset showing my new design;

FIG. 2 is a front view thereof;

FIG. 3 is a right side view thereof;

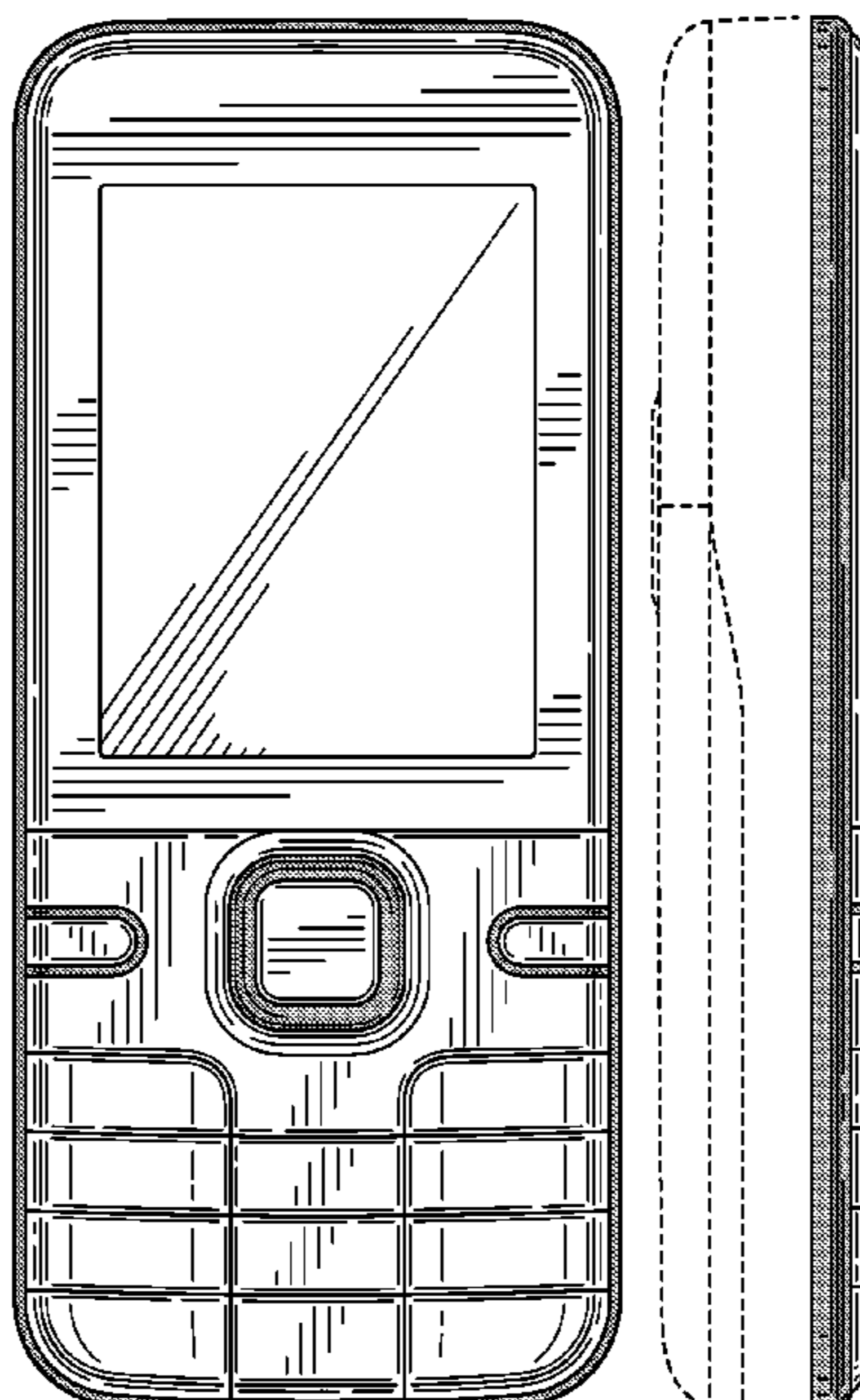
FIG. 4 is a left side view thereof;

FIG. 5 is a top view thereof; and,

FIG. 6 is a bottom view thereof.

The broken line showing of the remainder of the handset is for illustrative purposes only and forms no part of the claimed design.

1 Claim, 3 Drawing Sheets



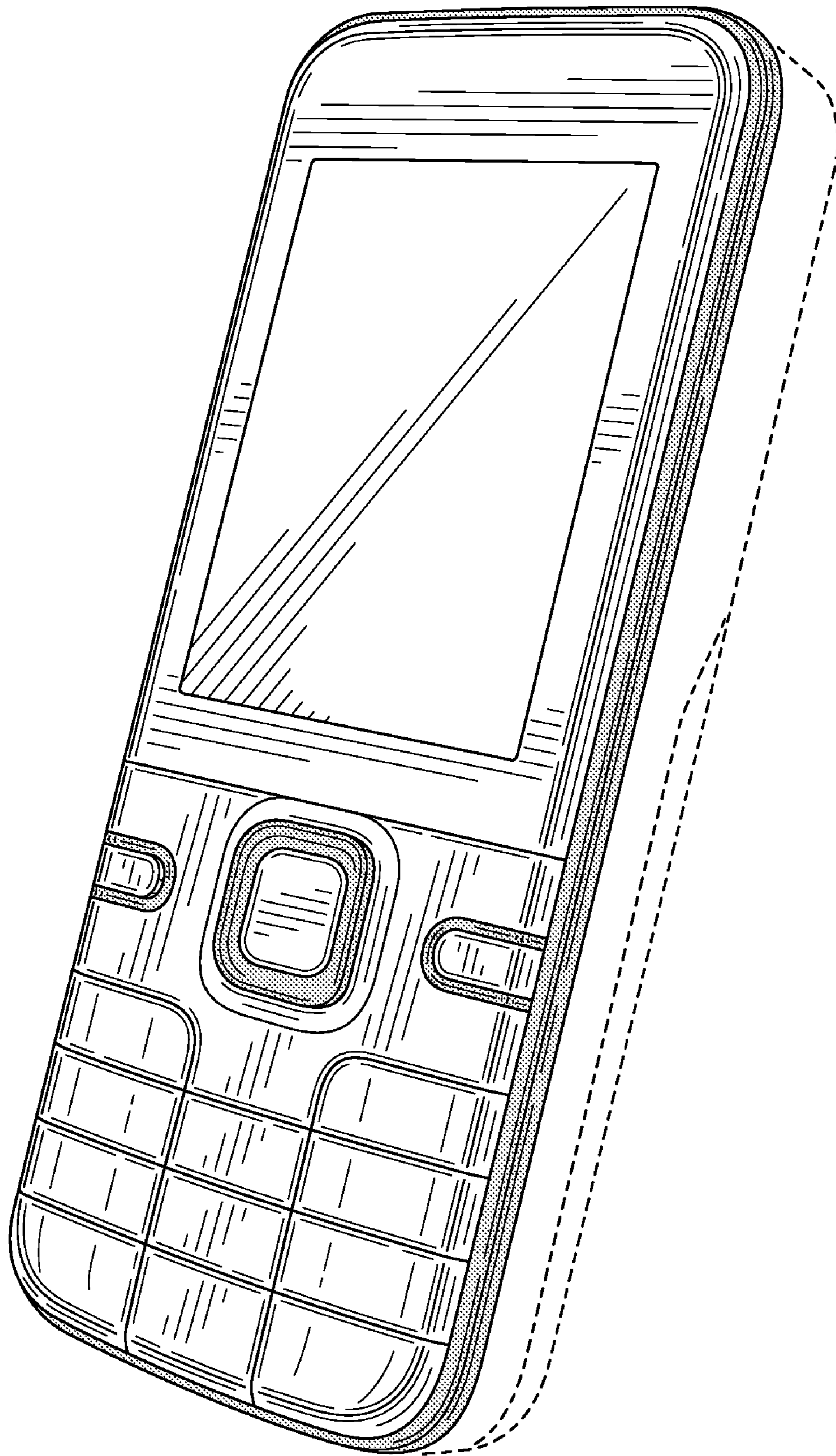


FIG. 1

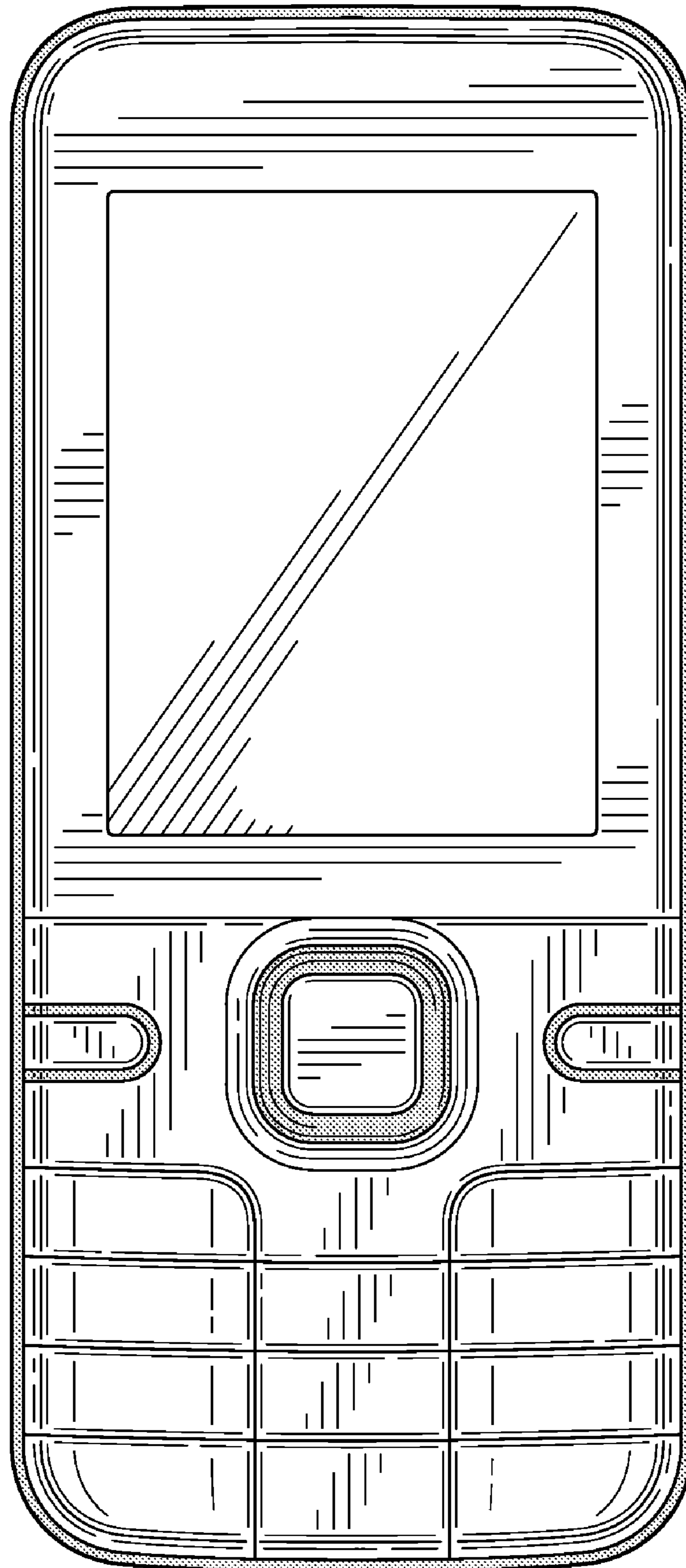


FIG. 2

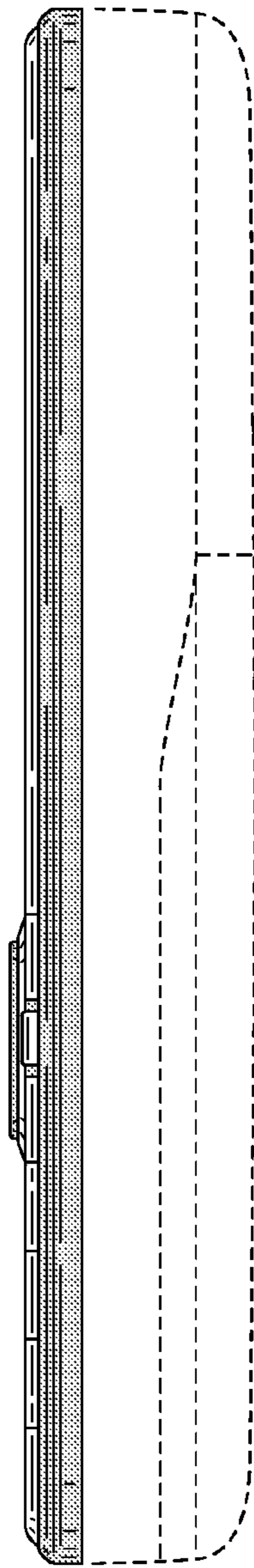


FIG. 3

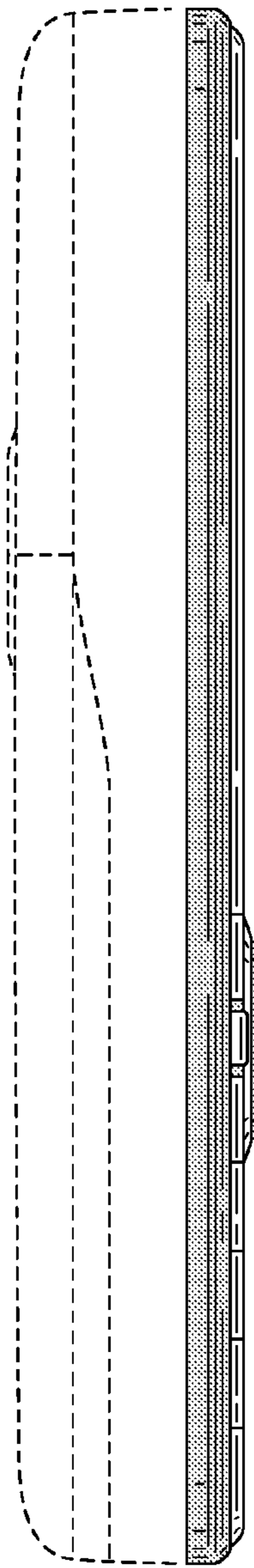


FIG. 4

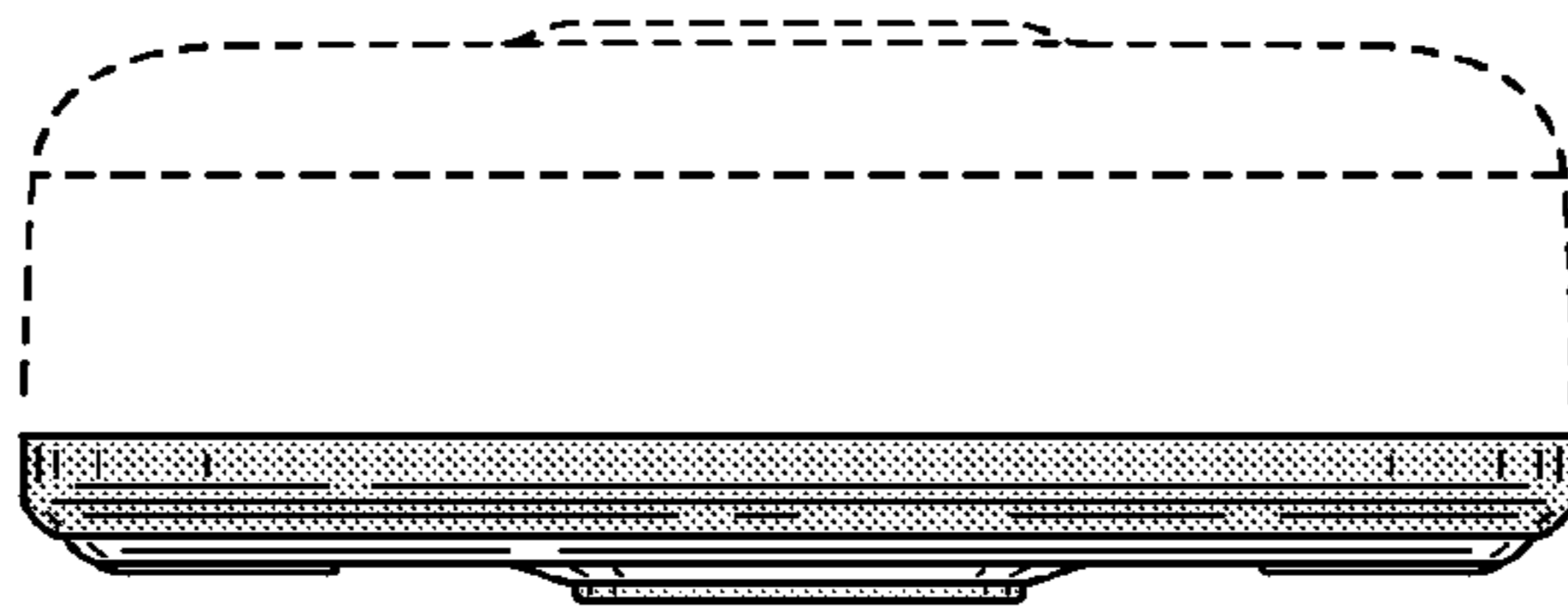


FIG. 5

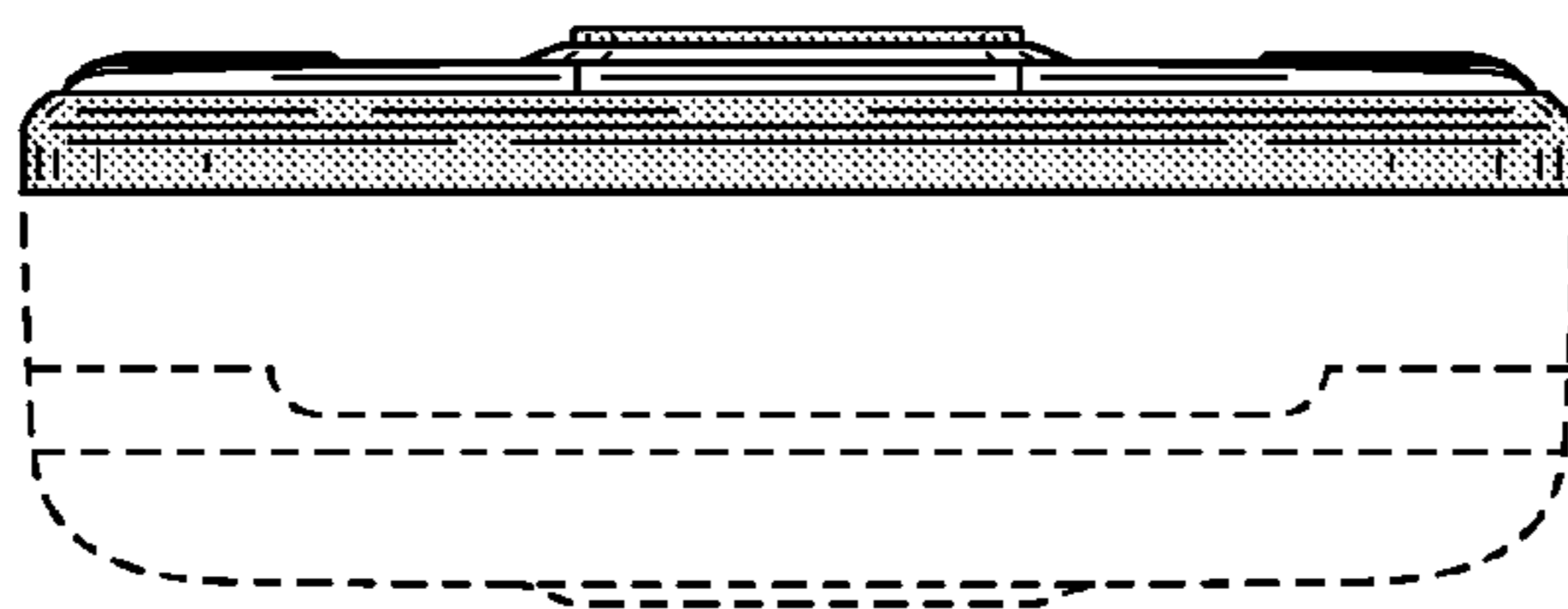


FIG. 6