



US00D597536S

(12) **United States Design Patent**
Ruohonen et al.

(10) **Patent No.:** **US D597,536 S**

(45) **Date of Patent:** **** Aug. 4, 2009**

(54) **SET OF KEY BUTTONS FOR A HANDSET**

(75) Inventors: **Matti Juhani Ruohonen**, Turku (FI);
Anthony Dalby, London (GB)

(73) Assignee: **Nokia Corporation**, Espoo (FI)

(**) Term: **14 Years**

(21) Appl. No.: **29/323,003**

(22) Filed: **Aug. 15, 2008**

D569,860	S	*	5/2008	Pegon et al.	D14/247
D570,816	S	*	6/2008	Lee et al.	D14/138 AD
D571,363	S	*	6/2008	Hering et al.	D14/247
D571,794	S	*	6/2008	Holmung et al.	D14/247
D572,690	S	*	7/2008	Kim et al.	D14/138 AB
D576,583	S	*	9/2008	Miles et al.	D14/138 AA
D576,590	S	*	9/2008	Benoit	D14/138 AD
D576,994	S	*	9/2008	Oh et al.	D14/138 AA
D577,702	S	*	9/2008	Hakamaki et al.	D14/138 AB
D577,716	S	*	9/2008	Hering et al.	D14/247
D580,902	S	*	11/2008	Bolton et al.	D14/138 R
D585,417	S	*	1/2009	Mitchell	D14/138 AB

(Continued)

Related U.S. Application Data

(62) Division of application No. 29/276,656, filed on Jan. 31, 2007, now abandoned.

(30) **Foreign Application Priority Data**

Aug. 18, 2006 (FI) M20060153

(51) **LOC (9) Cl.** **14-03**

(52) **U.S. Cl.** **D14/247**

(58) **Field of Classification Search** D14/137,
D14/138 R, 138 AA, 138 AB, 138 AC, 138 AD,
D14/138 C, 138 G, 147, 191, 203.1–203.8,
D14/218, 244, 247–248, 341–347, 432, 439,
D14/455–456, 496; D10/65, 78, 104; D13/168;
D18/7; 455/556.1, 566, 575.1, 575.3; 345/169
See application file for complete search history.

(56) **References Cited**

U.S. PATENT DOCUMENTS

D485,247	S	*	1/2004	Wang et al.	D14/138 AA
D511,771	S	*	11/2005	Burns et al.	D14/247
D524,274	S	*	7/2006	Choi et al.	D14/138 AA
D535,275	S	*	1/2007	Kim et al.	D14/138 AD
D535,960	S	*	1/2007	Kim et al.	D14/138 AB
D538,796	S	*	3/2007	Fahlgren	D14/247
D548,213	S	*	8/2007	Lee et al.	D14/138 AC
D550,189	S	*	9/2007	Kim et al.	D14/138 AD
D553,111	S	*	10/2007	Holmung et al.	D14/138 AD
D556,169	S	*	11/2007	Choi	D14/138 AD
D559,217	S	*	1/2008	Helin et al.	D14/138 AB

FOREIGN PATENT DOCUMENTS

WO	DM/068673	*	2/2007
WO	DM/069146	*	7/2007

(Continued)

OTHER PUBLICATIONS

Nokia N95, announced Sep. 2006, [online], [retrieved on Feb. 16, 2007]. Retrieved from Internet ,<URL: <http://www.gsmarena.com>>.*

(Continued)

Primary Examiner—Jeffrey D Asch
Assistant Examiner—Bridget L Eland
(74) *Attorney, Agent, or Firm*—Banner & Witcoff, Ltd.

(57) **CLAIM**

The ornamental design for a set of key buttons for a handset, as shown and described.

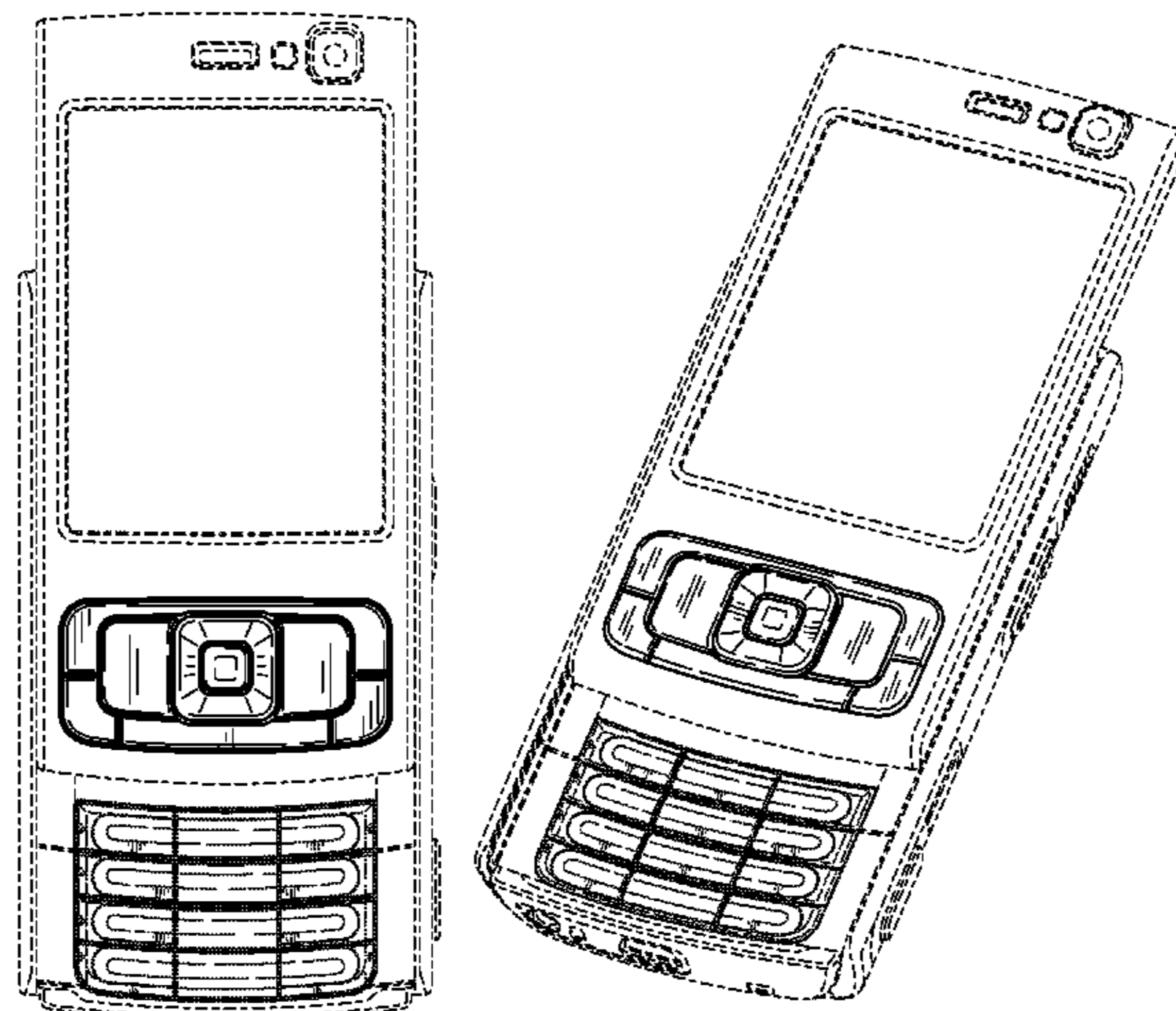
DESCRIPTION

FIG. 1 is front view of a set of key buttons for a handset showing our new design; and,

FIG. 2 is a perspective front view thereof.

The broken line showing the remainder of the handset is for illustrative purposes only and forms no part of the claimed design.

1 Claim, 1 Drawing Sheet



(56)

References Cited

WO DM/070035 * 3/2008

U.S. PATENT DOCUMENTS

2004/0162118 A1* 8/2004 Park et al. 455/575.1
2006/0211454 A1* 9/2006 Park et al. 455/566
2008/0268876 A1* 10/2008 Gelfand et al. 455/457

FOREIGN PATENT DOCUMENTS

WO DM/069161 * 7/2007
WO DM/070068 * 2/2008

OTHER PUBLICATIONS

Nokia N65, announced Feb. 2007, [online], [retrieved on Feb. 16, 2007]. Retrieved from Internet ,<URL: <http://www.gsmarena.com>>.*

Nokia N95 8GB, announced Aug. 2007, [online], [retrieved on Sep. 4, 2007]. Retrieved from Internet ,<URL: <http://www.gsmarena.com>>.*

* cited by examiner

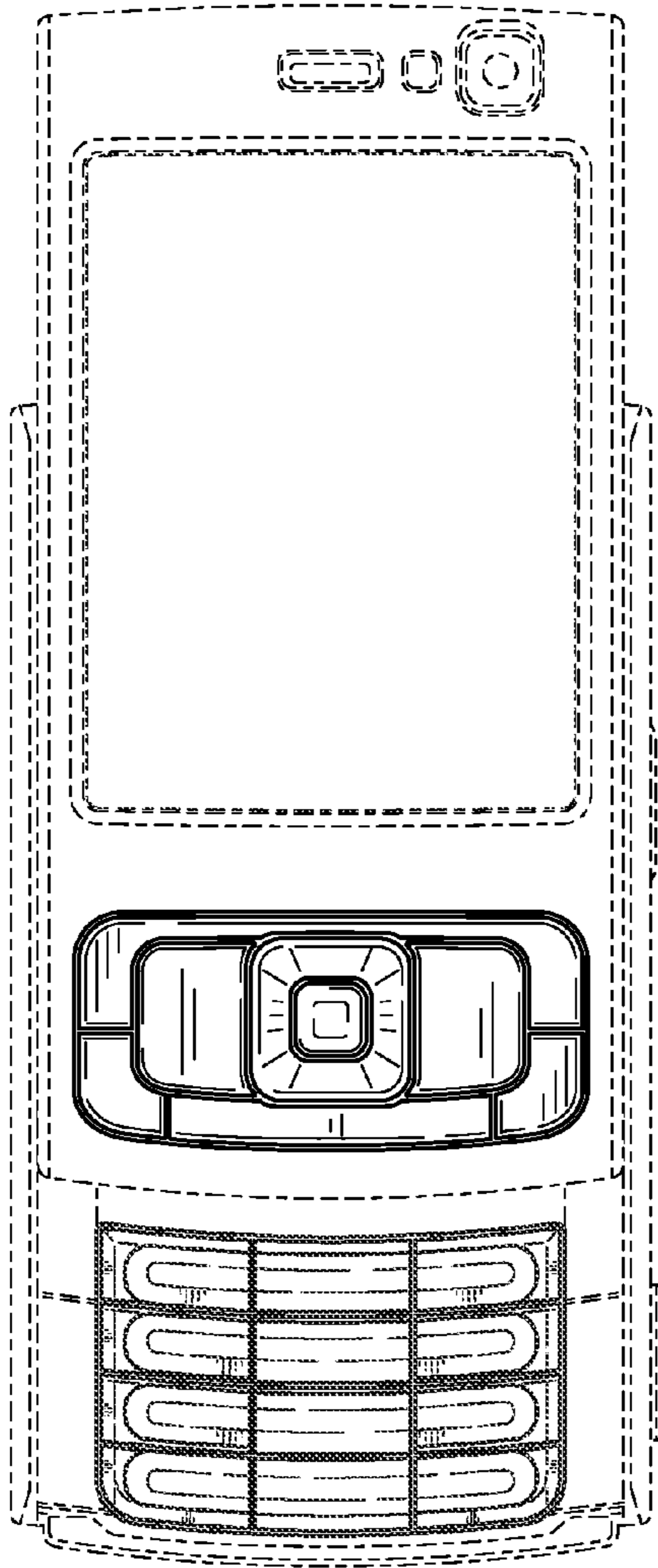


FIG. 1

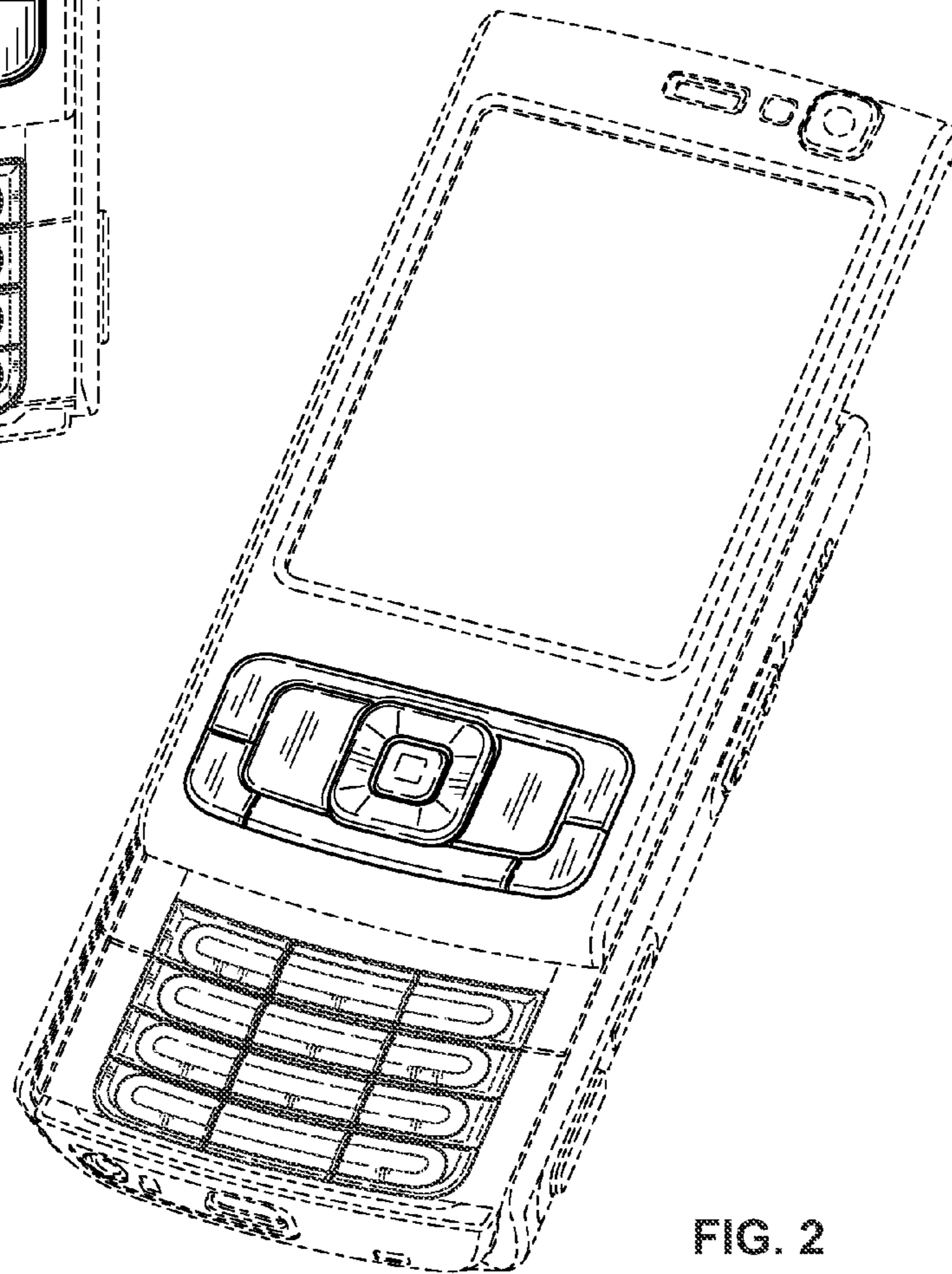


FIG. 2