

US00D597535S

(12) **United States Design Patent**  
**Brennwald**

(10) **Patent No.:** **US D597,535 S**

(45) **Date of Patent:** **\*\* \*Aug. 4, 2009**

(54) **TELEPHONE SWITCH BOX**

(75) Inventor: **Jörg Brennwald**, Kiel (DE)

(73) Assignee: **Sennheiser Communications A/S**,  
Solrod Strand (DK)

(\* ) Notice: This patent is subject to a terminal disclaimer.

(\*\* ) Term: **14 Years**

(21) Appl. No.: **29/287,963**

(22) Filed: **Oct. 4, 2007**

(30) **Foreign Application Priority Data**

Apr. 24, 2007 (EM) ..... 000712229-0001

(51) **LOC (9) Cl.** ..... **14-02**

(52) **U.S. Cl.** ..... **D14/240**

(58) **Field of Classification Search** ..... D14/356,  
D14/358, 233, 240, 242, 300, 348, 388, 433,  
D14/155; D13/184, 137.2, 107, 108, 144;  
360/69; 379/220.1, 220.14, 25, 93.09, 93.15,  
379/156, 900, 338, 329; 381/124; 607/36;  
307/10.1; 439/668

See application file for complete search history.

(56) **References Cited**

**U.S. PATENT DOCUMENTS**

D350,741 S \* 9/1994 Chen ..... D14/462

D460,968 S \* 7/2002 Dow et al. .... D14/388

D487,460 S \* 3/2004 Lee ..... D14/368

D532,038 S \* 11/2006 Hutchinson ..... D18/50

D538,795 S \* 3/2007 Wong et al. .... D14/240

D562,264 S \* 2/2008 Jeong et al. .... D13/164

D573,144 S \* 7/2008 Lin ..... D14/358

D580,932 S \* 11/2008 Tzou et al. .... D14/356

\* cited by examiner

*Primary Examiner*—Charles A Rademaker

*Assistant Examiner*—Charles D Hanson

(74) *Attorney, Agent, or Firm*—Birch, Stewart, Kolasch & Birch, LLP

(57) **CLAIM**

The ornamental design for a telephone switch box, as shown and described.

**DESCRIPTION**

FIG. 1 is a perspective view of a telephone switch box, showing my new design;

FIG. 2 is a front elevation thereof;

FIG. 3 is a right side elevation thereof;

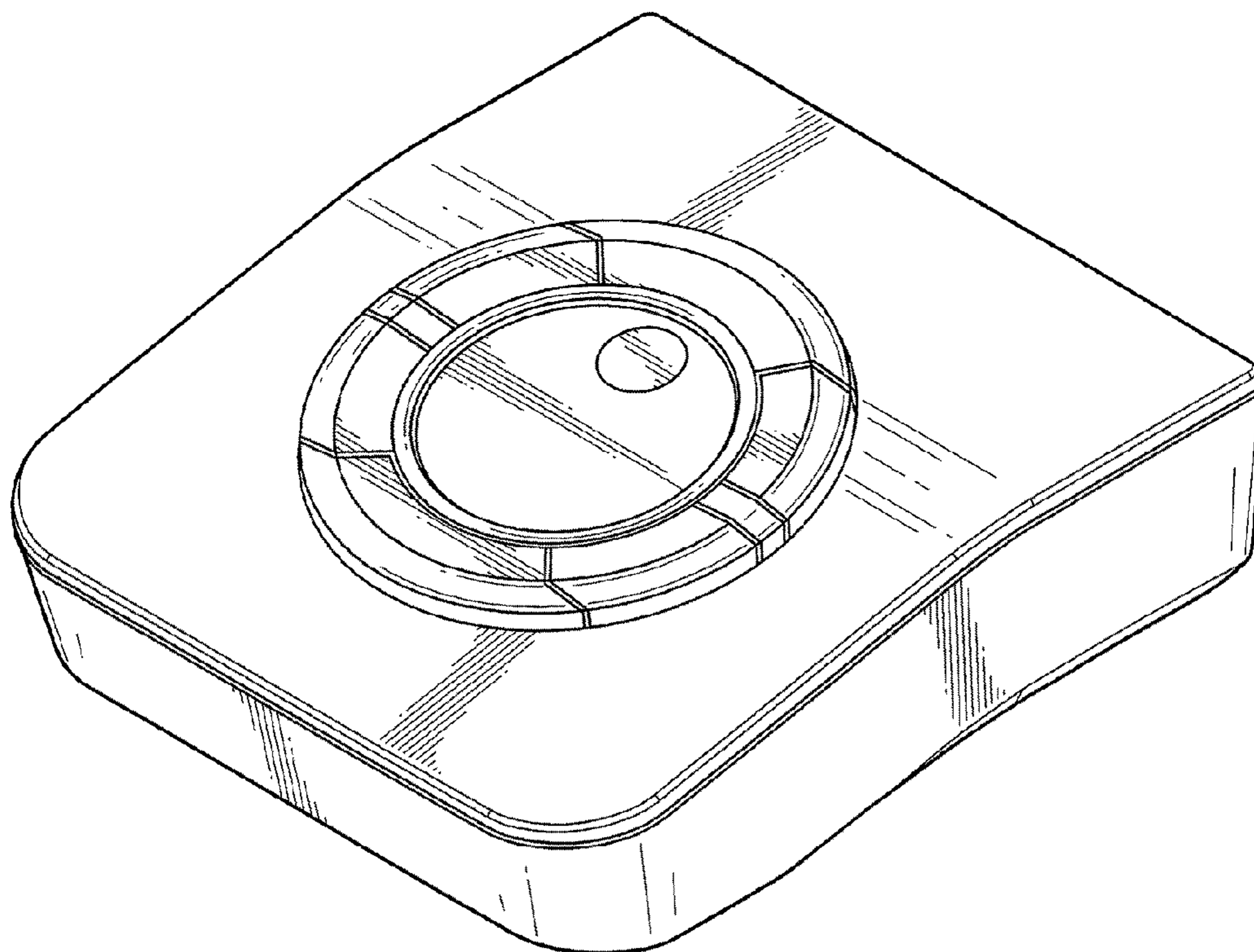
FIG. 4 is a top plan view thereof;

FIG. 5 is a left side elevation thereof;

FIG. 6 is a bottom plan view thereof; and,

FIG. 7 is a rear elevation thereof.

**1 Claim, 7 Drawing Sheets**



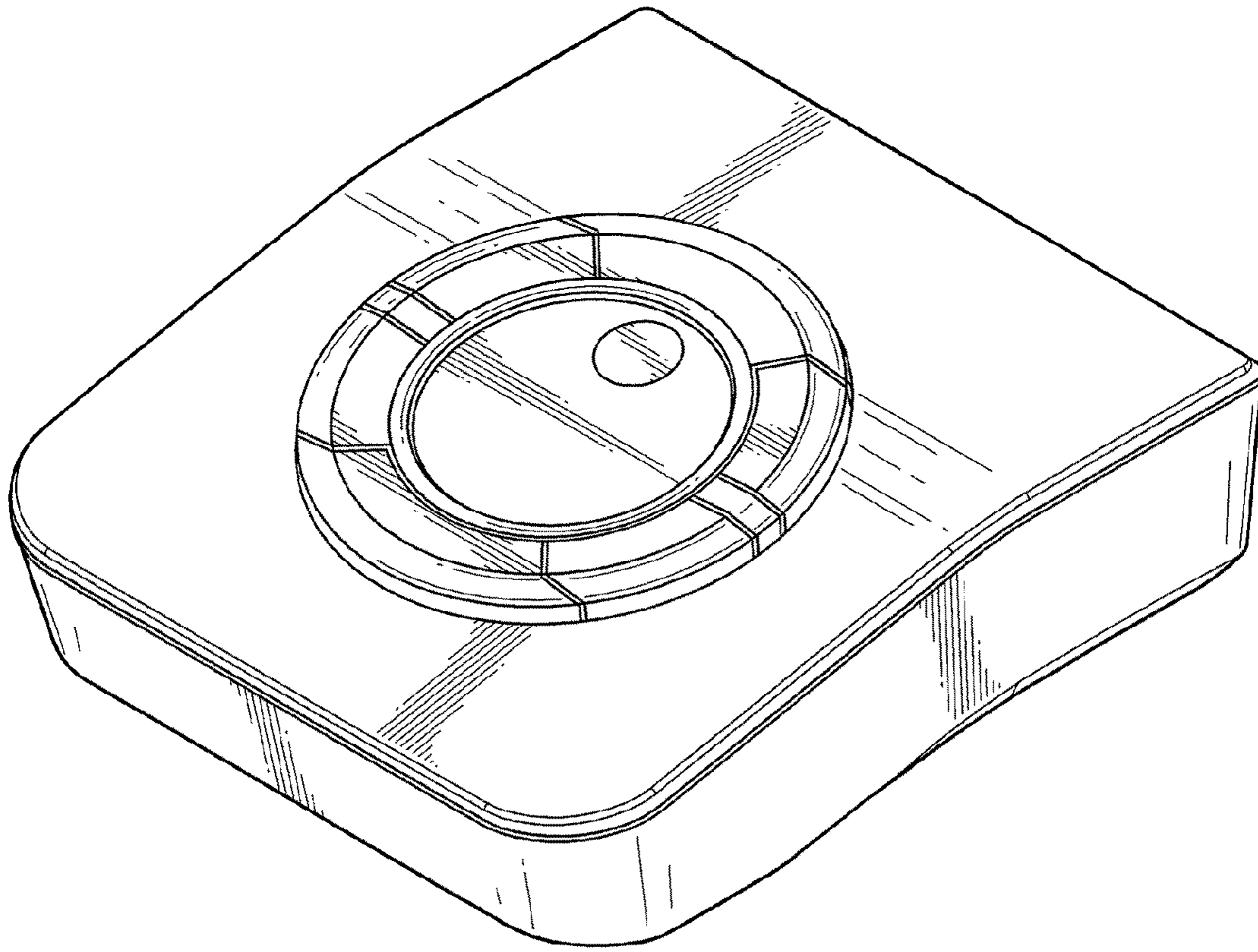


FIG.1

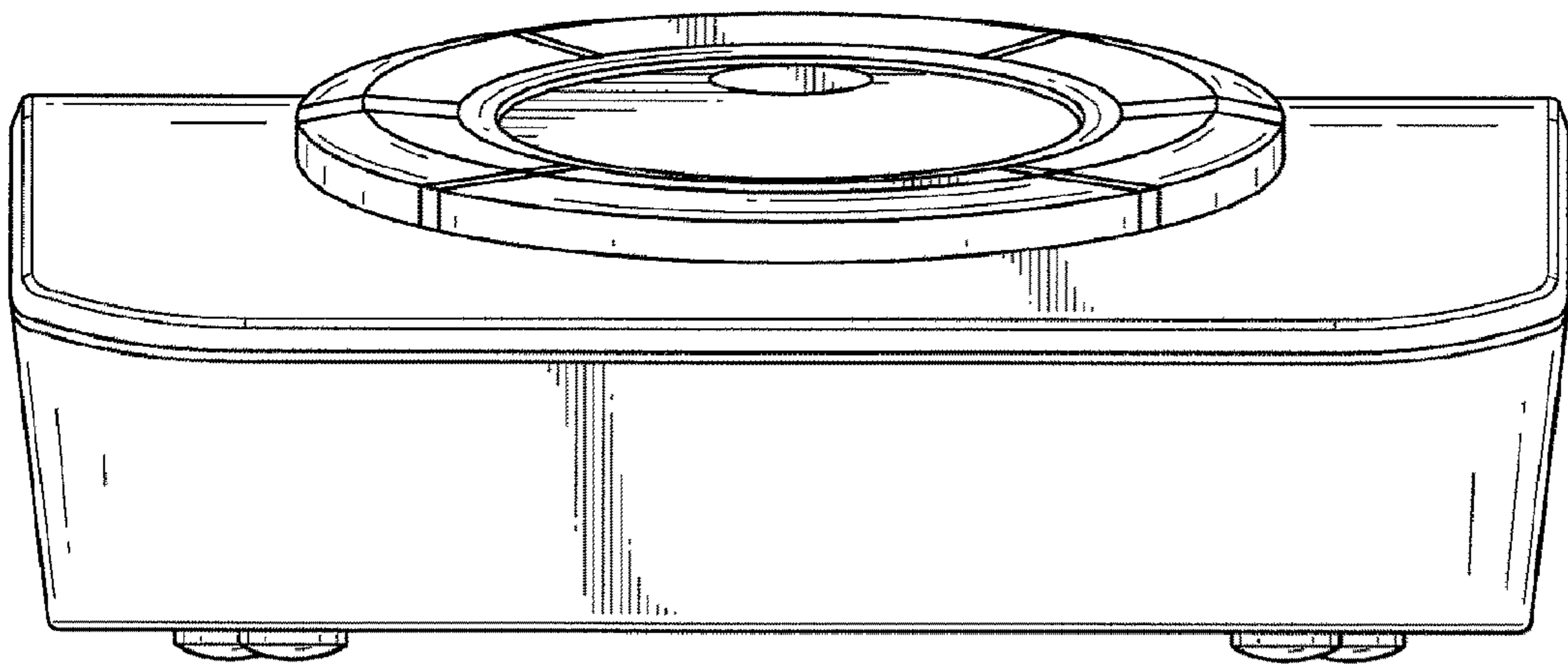


FIG. 2

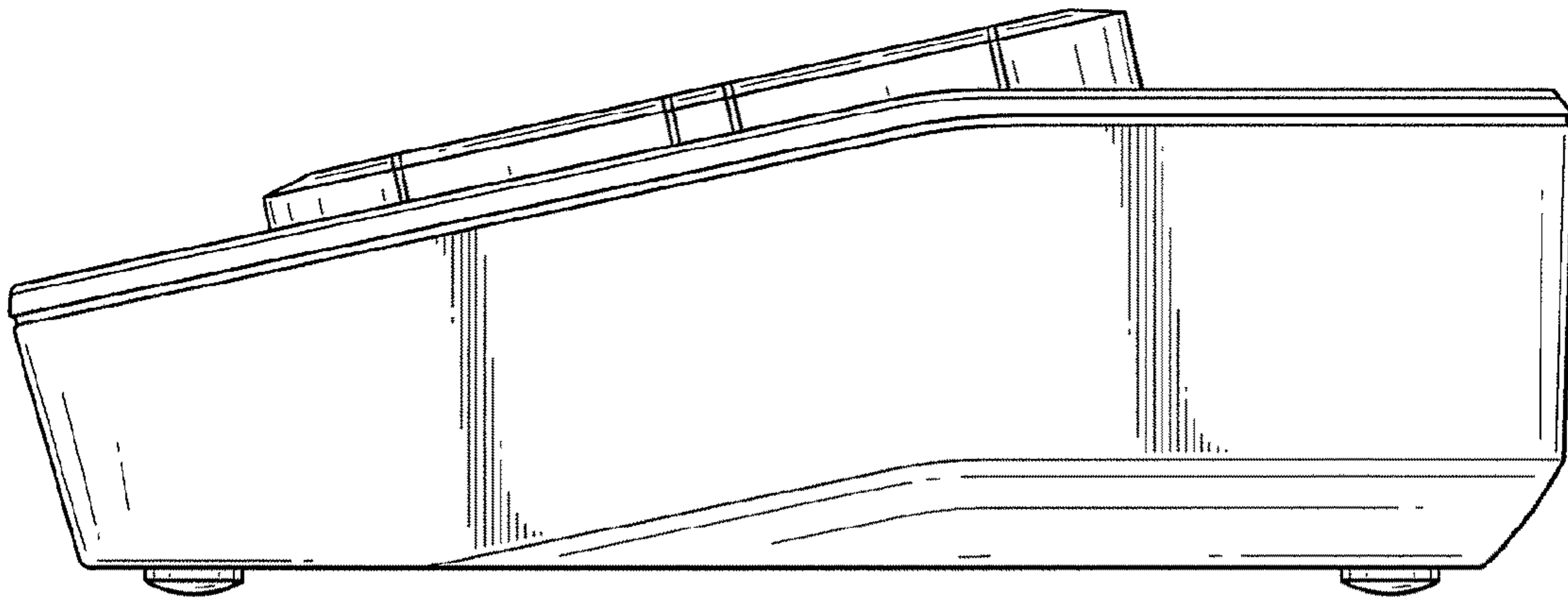


FIG.3

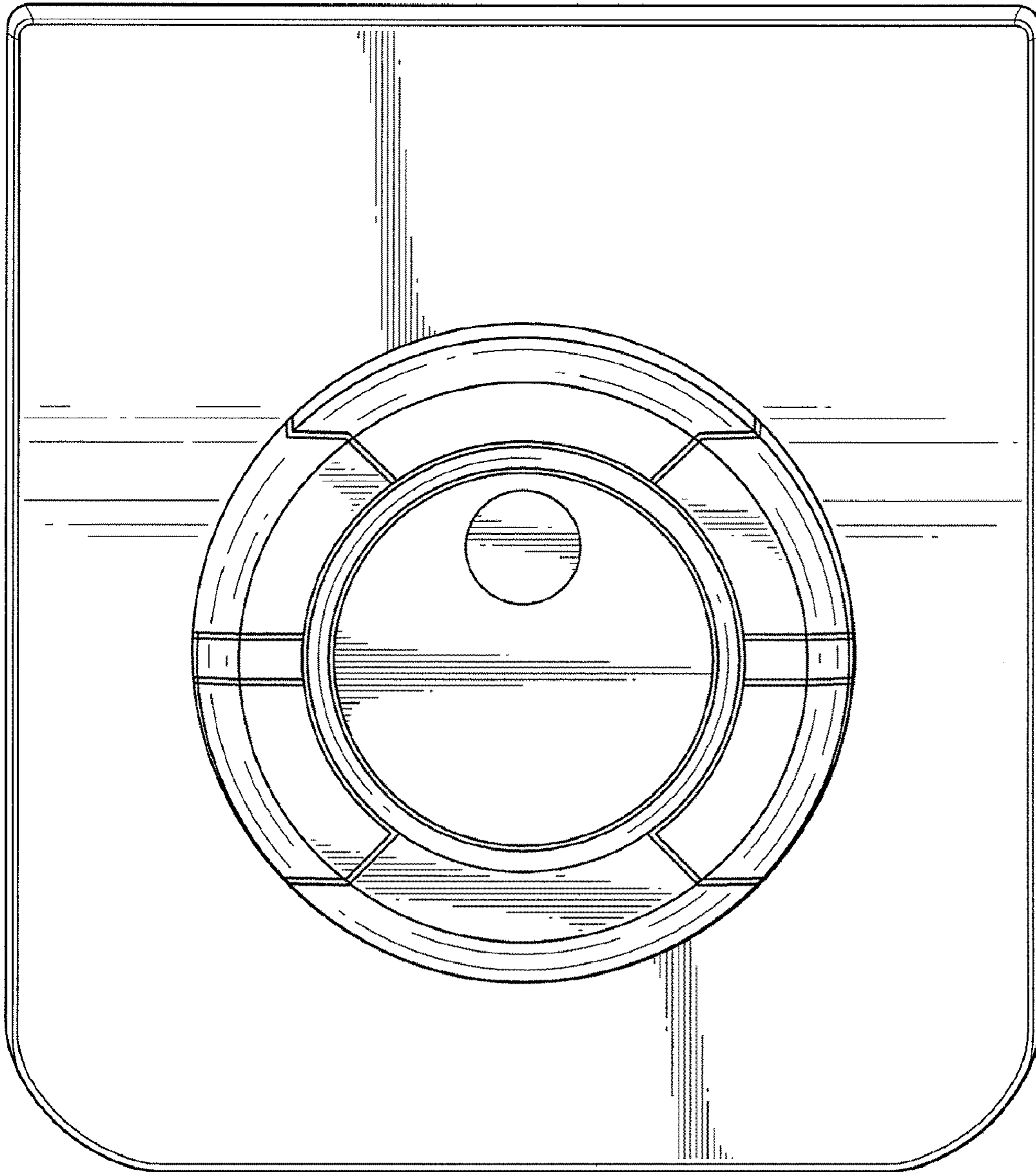


FIG.4

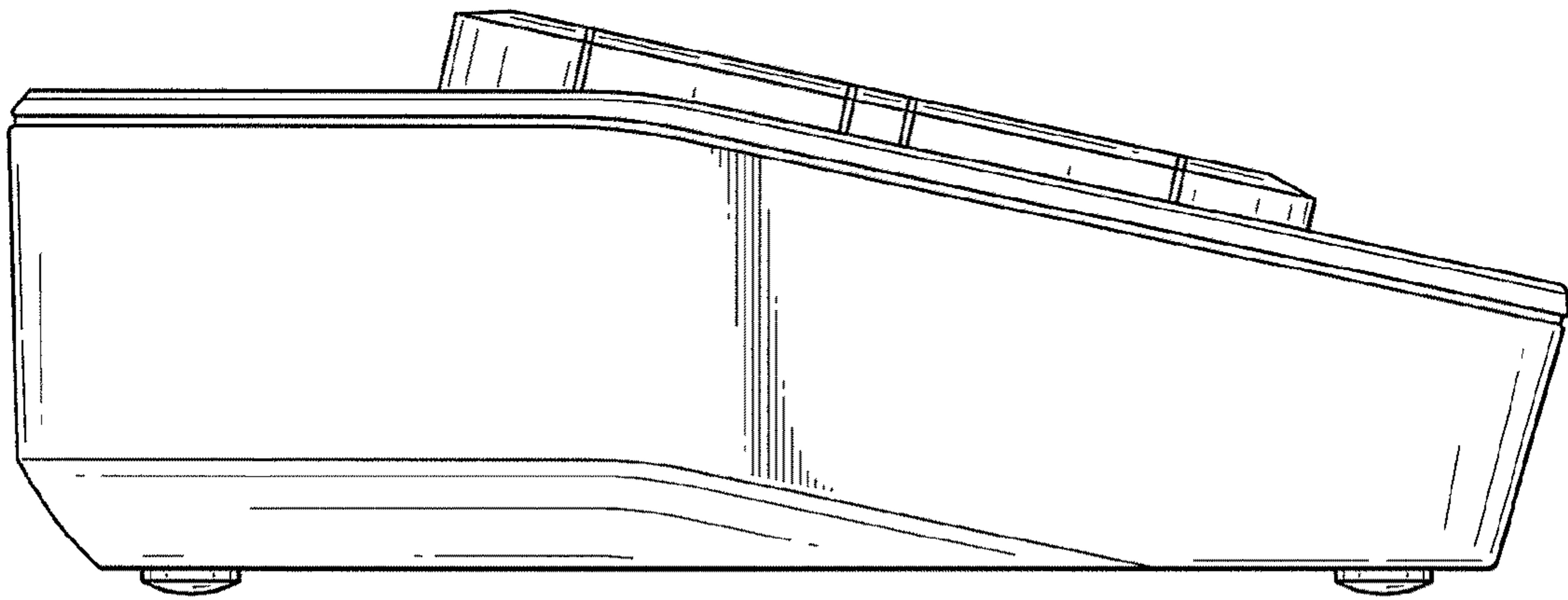


FIG.5

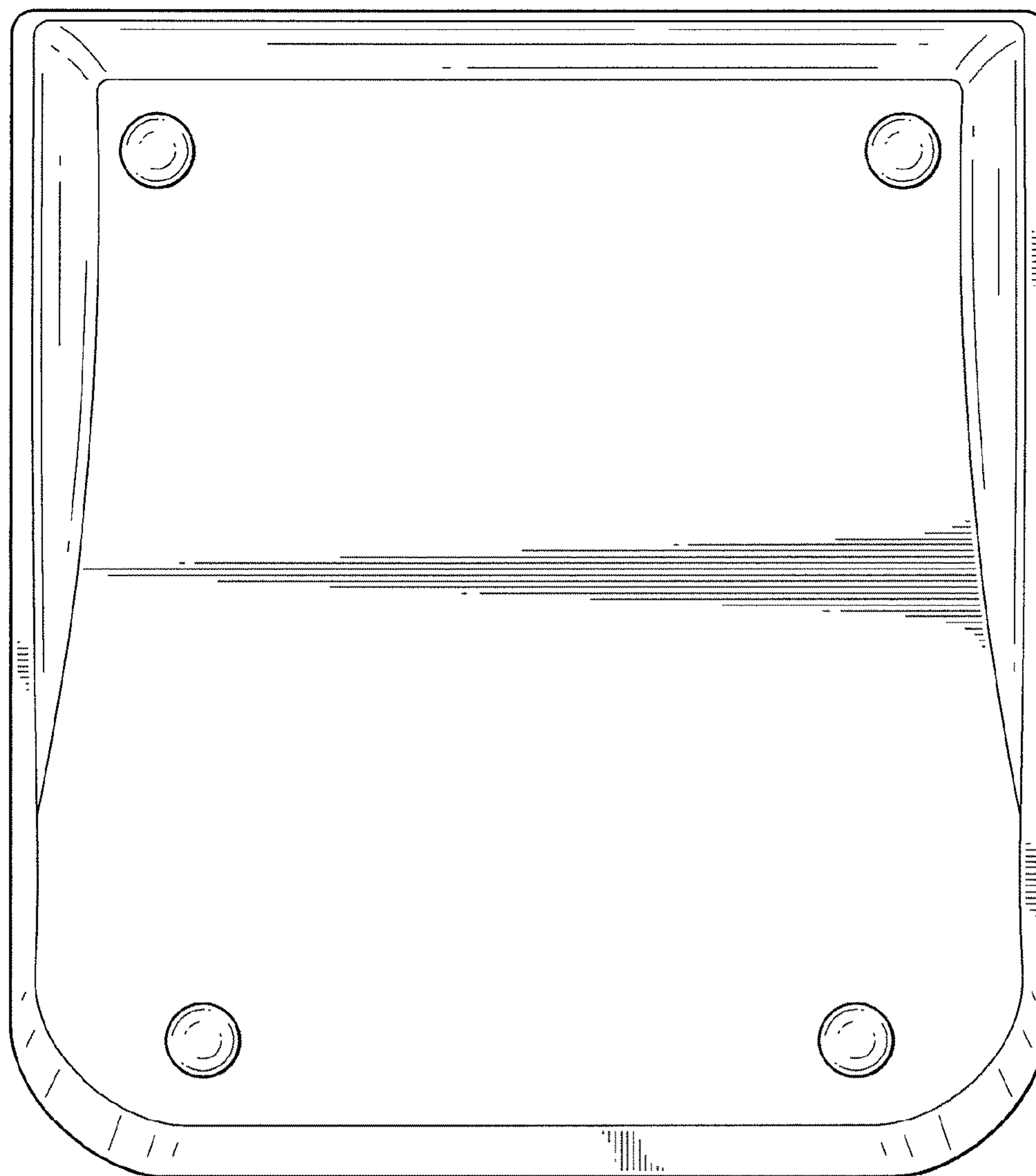


FIG.6

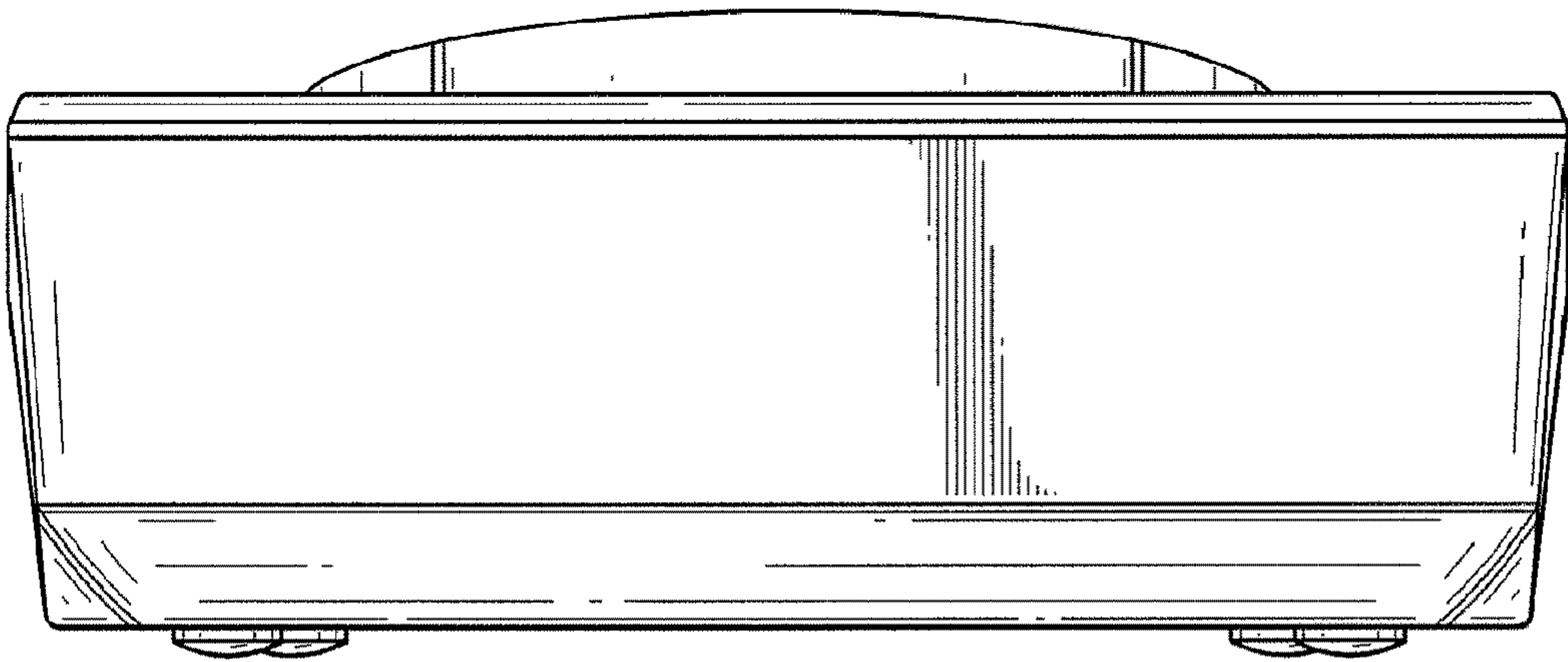


FIG.7