



US00D597534S

(12) **United States Design Patent**  
**Christopher**

(10) **Patent No.:** **US D597,534 S**

(45) **Date of Patent:** **\*\* Aug. 4, 2009**

(54) **HEADSET FOR A COMMUNICATIONS  
DEVICE**

(75) Inventor: **Stephen M. Christopher**, Chicago, IL  
(US)

(73) Assignee: **Motorola, Inc.**, Schaumburg, IL (US)

(\*\*) Term: **14 Years**

(21) Appl. No.: **29/305,316**

(22) Filed: **Mar. 18, 2008**

(51) **LOC (9) Cl.** ..... **14-01**

(52) **U.S. Cl.** ..... **D14/223**

(58) **Field of Classification Search** ..... D14/205,  
D14/206, 223; 181/129, 130; 379/430, 431;  
381/380, 381; 455/575.2

See application file for complete search history.

(56) **References Cited**

**U.S. PATENT DOCUMENTS**

D471,898 S *	3/2003	Bae	.....	D14/223
D480,386 S *	10/2003	Browne et al.	.....	D14/223
D502,171 S *	2/2005	Tang et al.	.....	D14/223
6,868,284 B2 *	3/2005	Bae	.....	455/575.2
D508,485 S *	8/2005	Katsumata	.....	D14/223
D510,337 S *	10/2005	Tages	.....	D14/205
D512,049 S *	11/2005	Yang	.....	D14/223
D520,497 S *	5/2006	Yang	.....	D14/223
D533,540 S *	12/2006	Murray	.....	D14/205
D538,271 S *	3/2007	Kim et al.	.....	D14/223
D538,792 S *	3/2007	Kim et al.	.....	D14/223
D542,267 S *	5/2007	Cha et al.	.....	D14/206
D552,087 S *	10/2007	Wei	.....	D14/223
D552,596 S *	10/2007	Christopher	.....	D14/205
7,289,640 B2 *	10/2007	Tsai et al.	.....	381/380
D554,626 S *	11/2007	Christopher	.....	D14/223
D555,150 S *	11/2007	Christopher et al.	.....	D14/223

D555,151 S *	11/2007	Eklund	.....	D14/223
D559,836 S *	1/2008	Lee	.....	D14/223
D562,310 S *	2/2008	Moon et al.	.....	D14/223
D562,808 S *	2/2008	Gwee	.....	D14/223
D564,500 S *	3/2008	Wang	.....	D14/223
D566,105 S *	4/2008	Yang et al.	.....	D14/223
D566,108 S *	4/2008	Kan	.....	D14/223
D566,692 S *	4/2008	Sade et al.	.....	D14/223
D568,301 S *	5/2008	Kim et al.	.....	D14/223
D573,582 S *	7/2008	Ma	.....	D14/205
D575,277 S *	8/2008	Gaarde et al.	.....	D14/223
D578,516 S *	10/2008	Christopher	.....	D14/223

\* cited by examiner

*Primary Examiner*—Paula Greene

(57) **CLAIM**

The ornamental design of a headset for a communications device, as shown and described.

**DESCRIPTION**

FIG. 1 is a perspective view of an ornamental design of a headset for a communications device;

FIG. 2 is a top view thereof;

FIG. 3 is a bottom view thereof;

FIG. 4 is a first side view thereof;

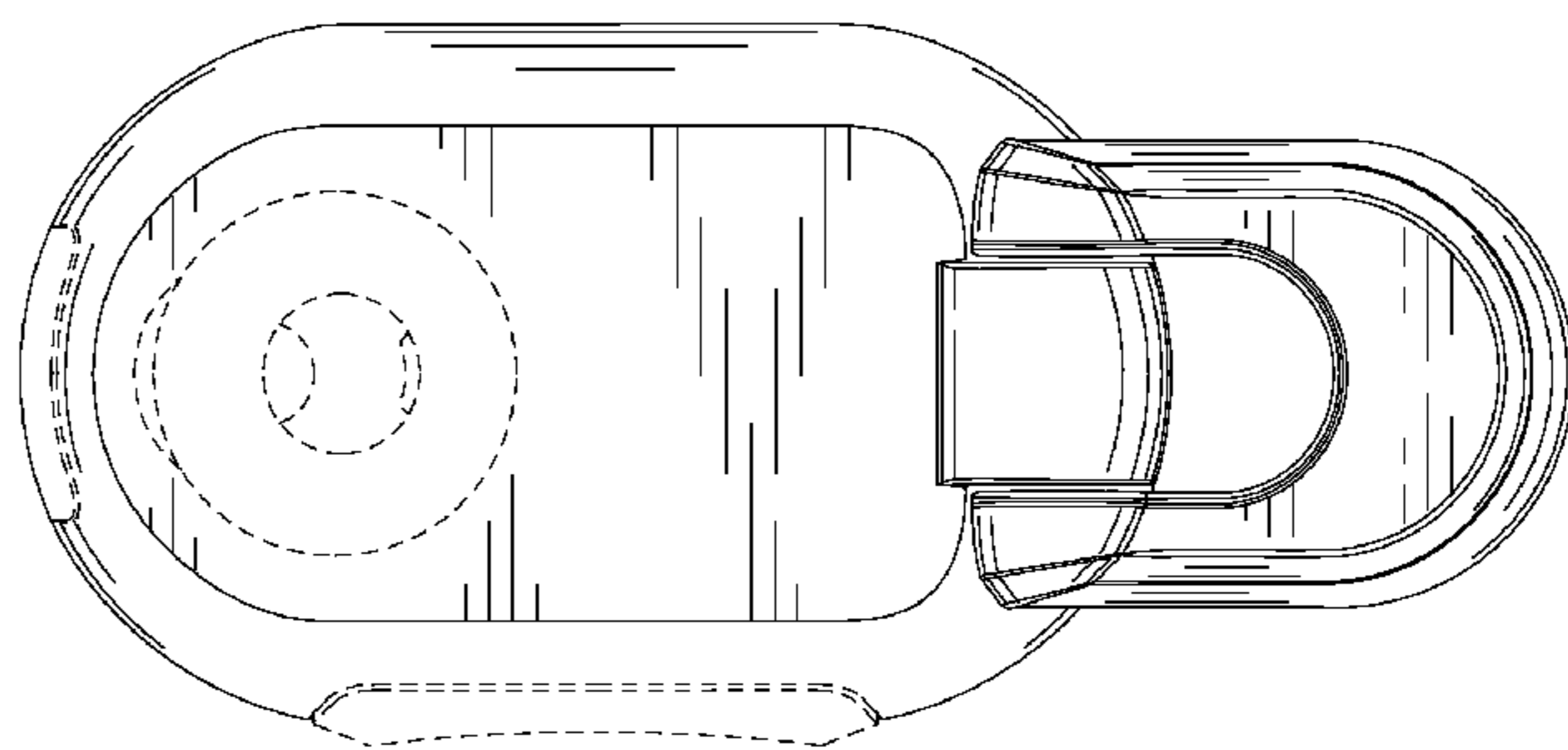
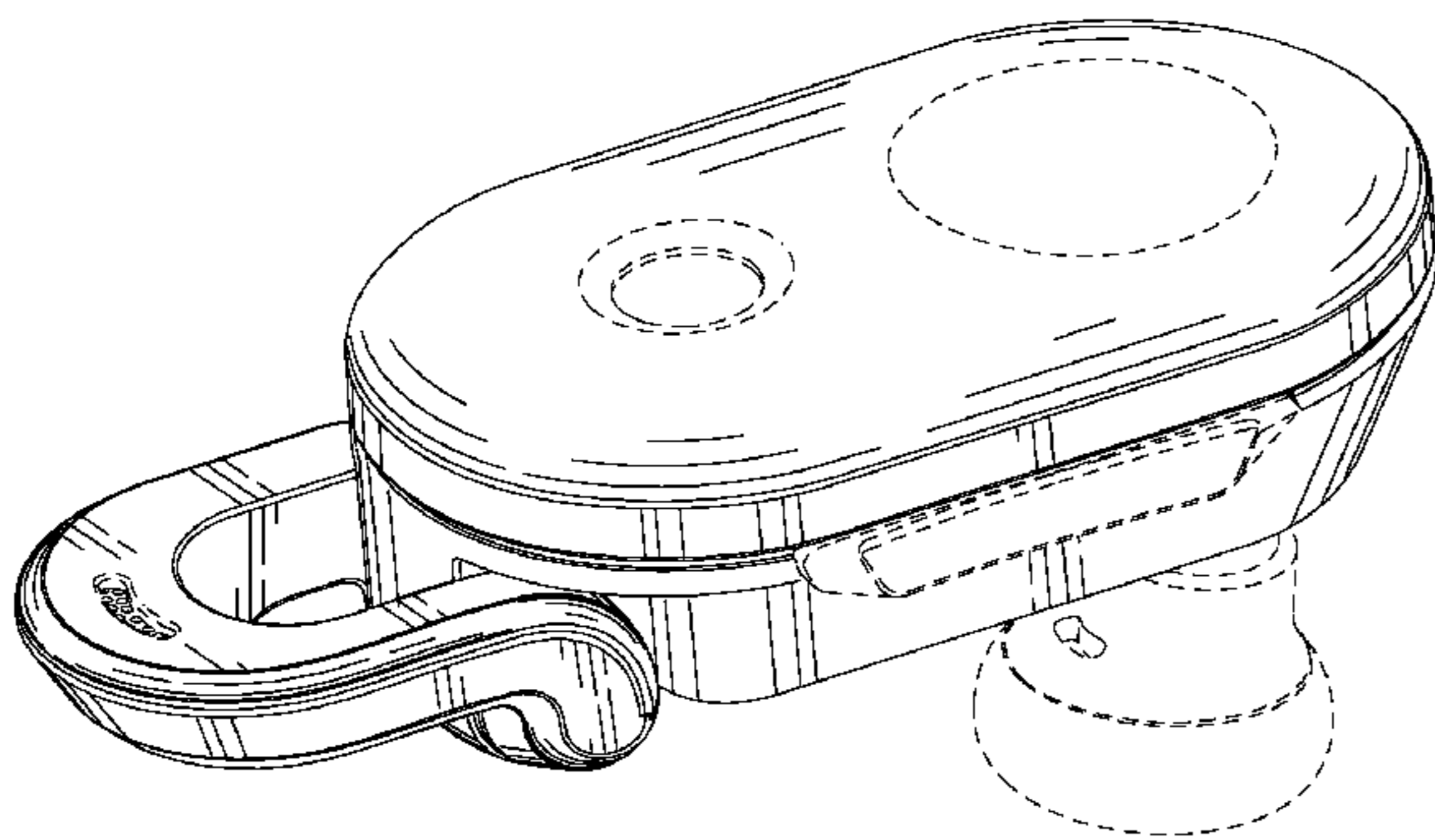
FIG. 5 is a second side view thereof;

FIG. 6 is a front view thereof; and,

FIG. 7 is a rear view thereof.

The broken lines shown in FIGS. 1–7 that are immediately adjacent to the shaded areas represent the bound of the claimed design, while all other broken lines are directed to environment and are for illustrative purposes only; the broken lines form no part of the claim design.

**1 Claim, 4 Drawing Sheets**



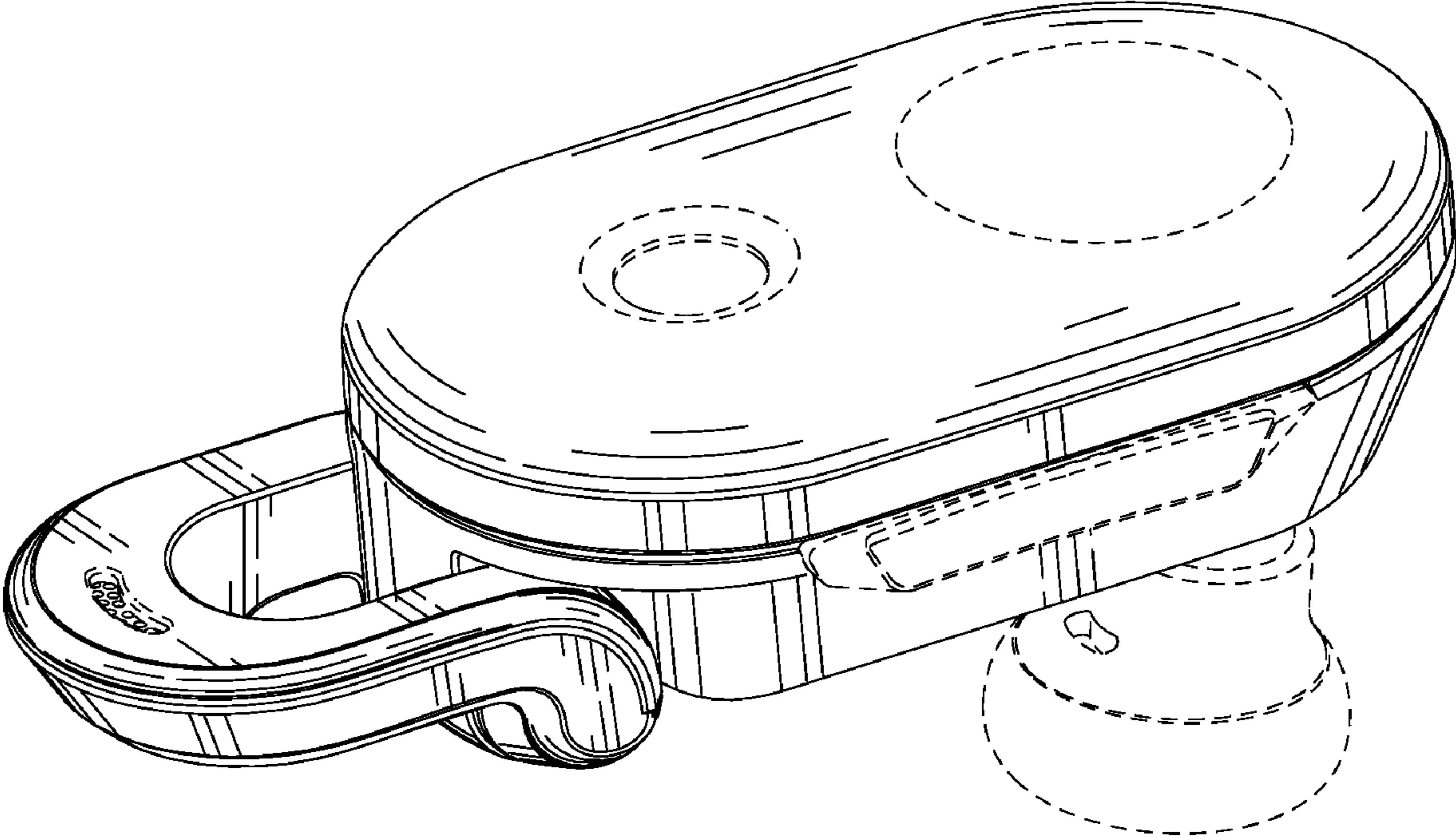


FIG. 1

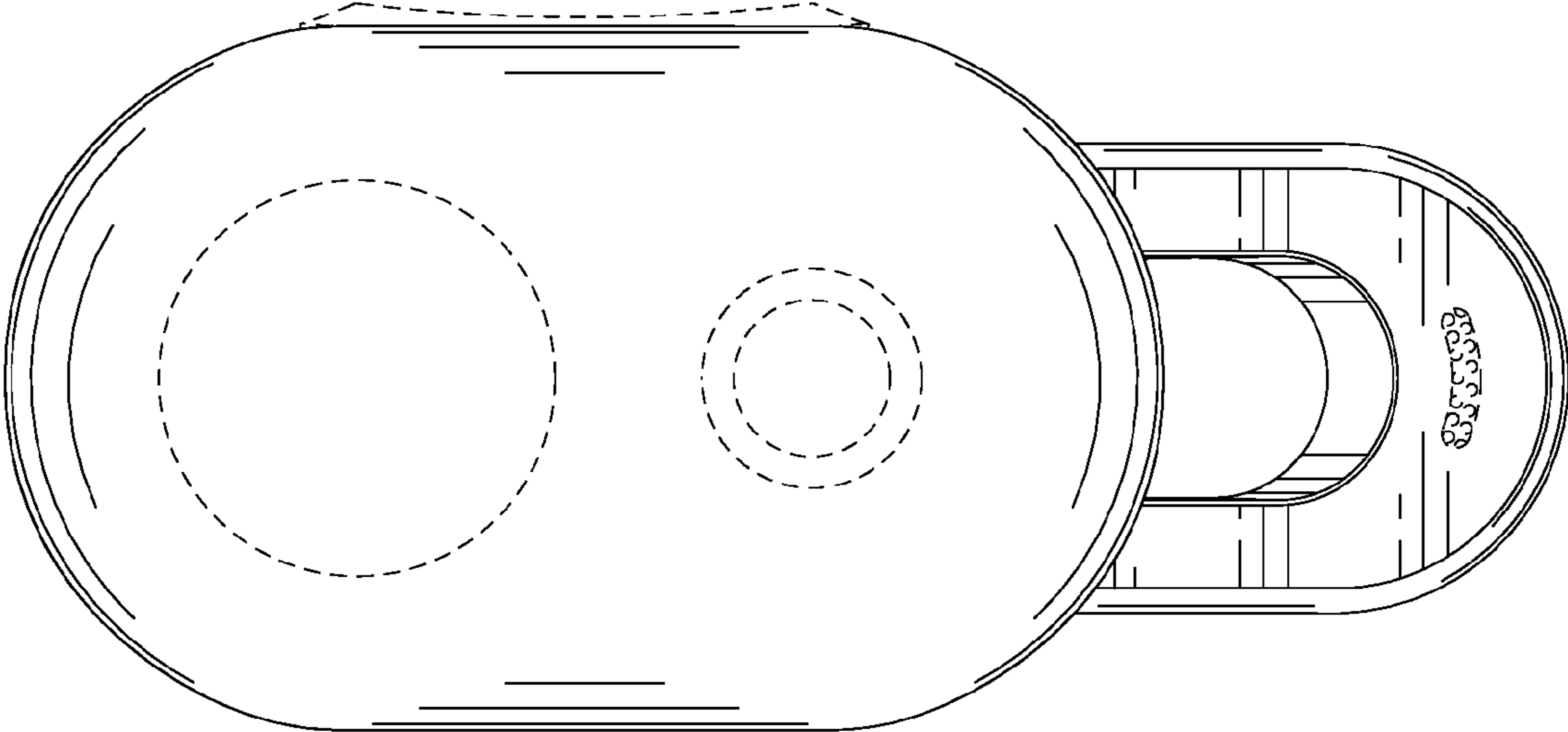


FIG. 2

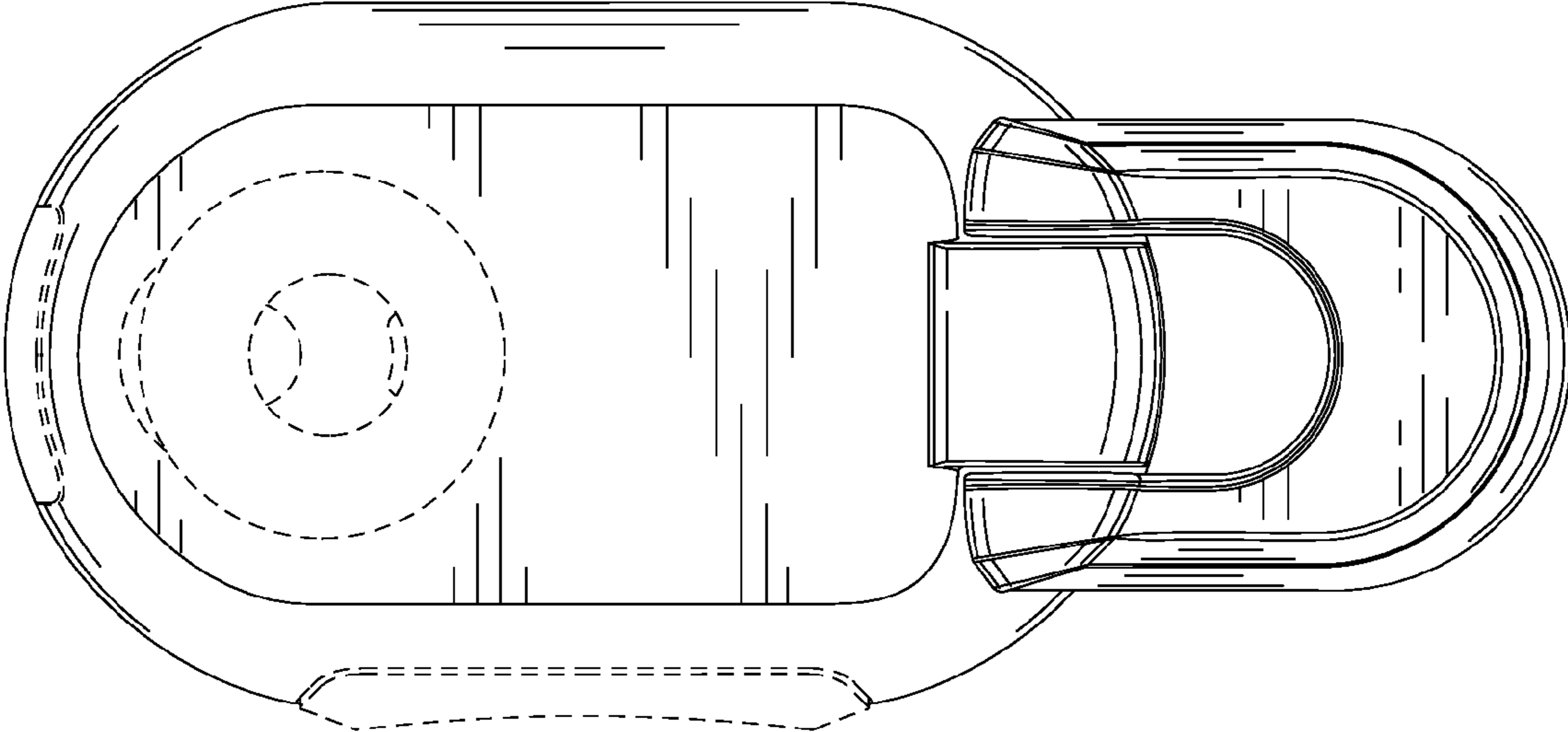


FIG. 3

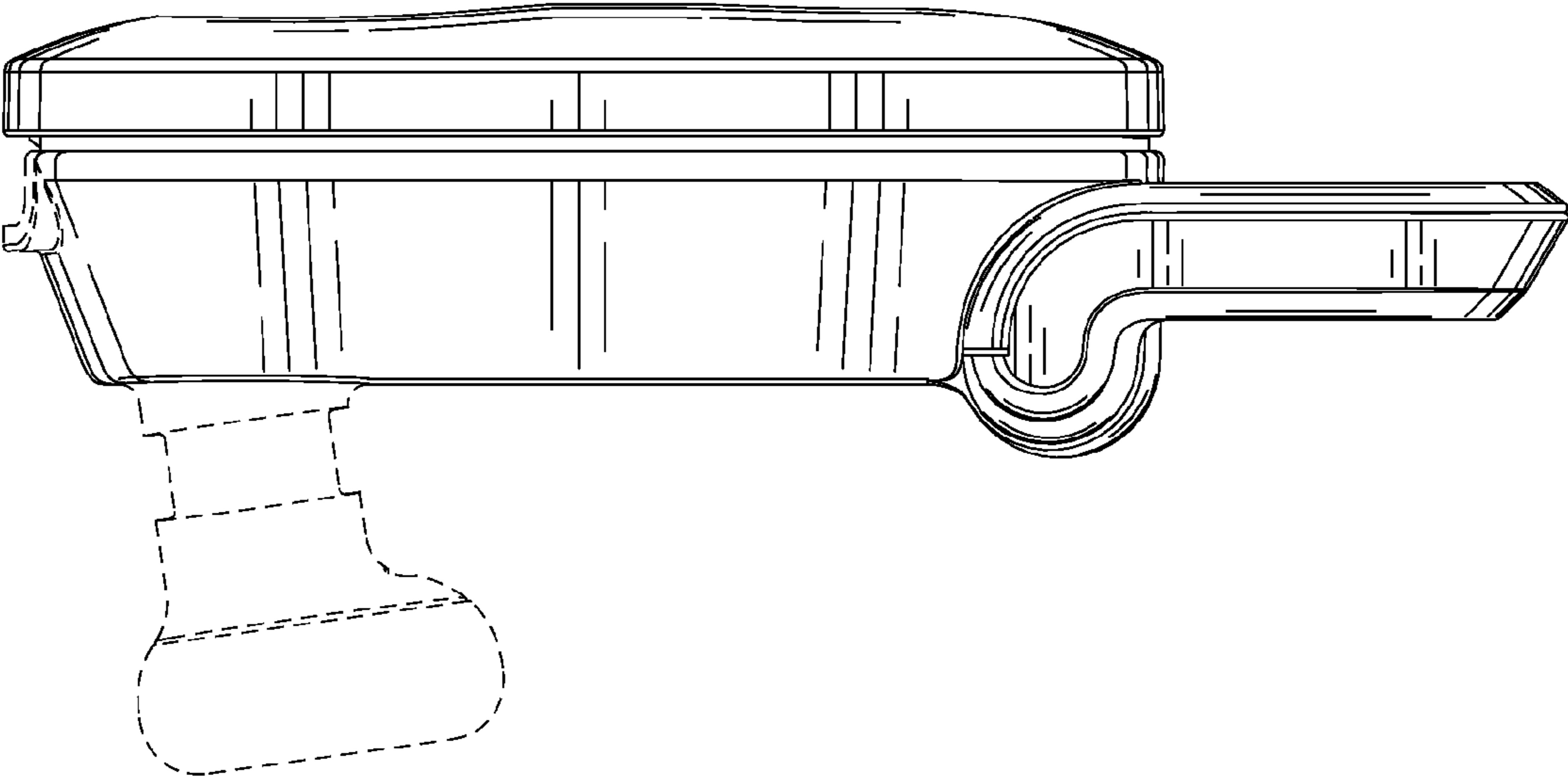


FIG. 4

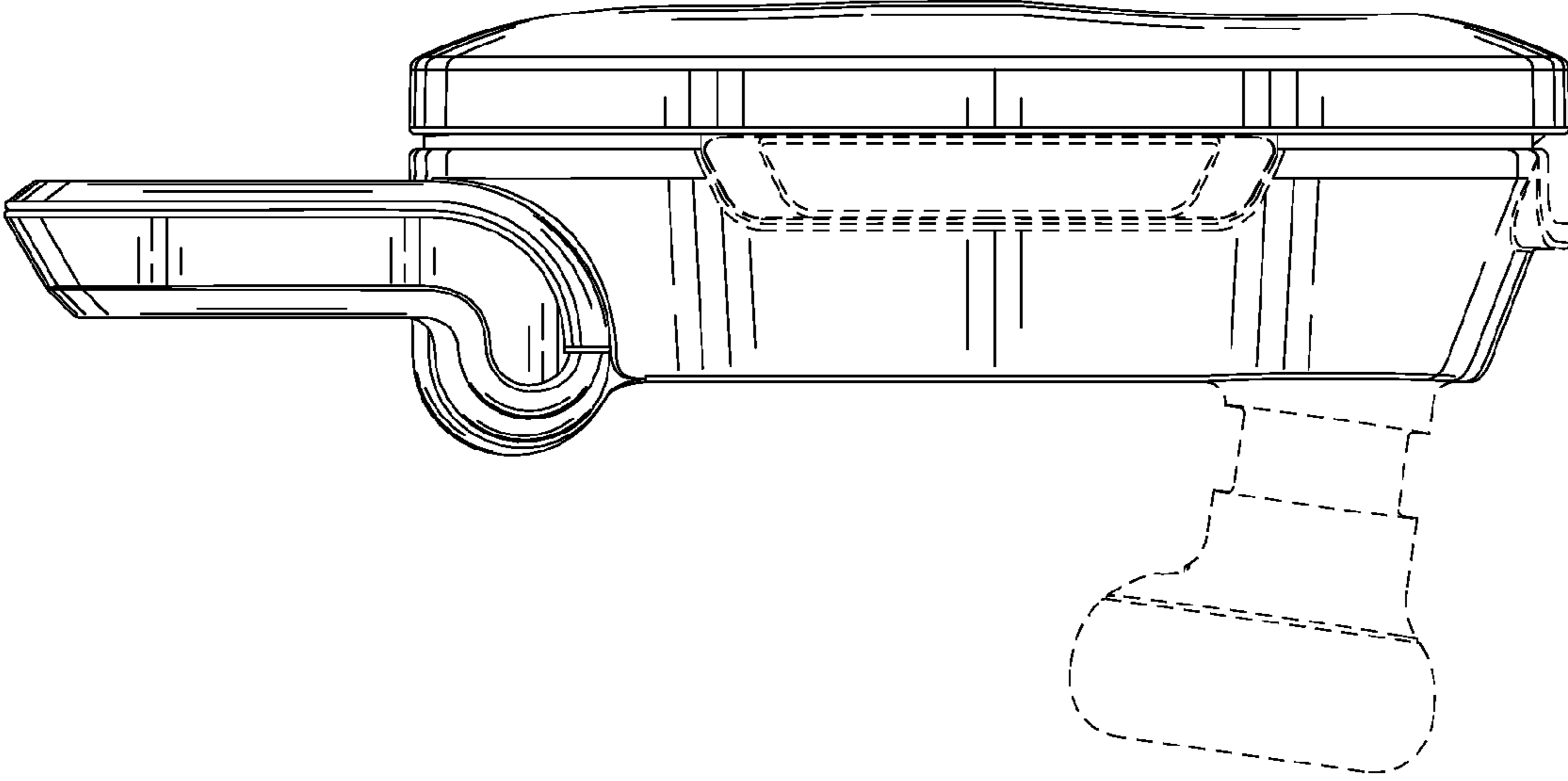


FIG. 5

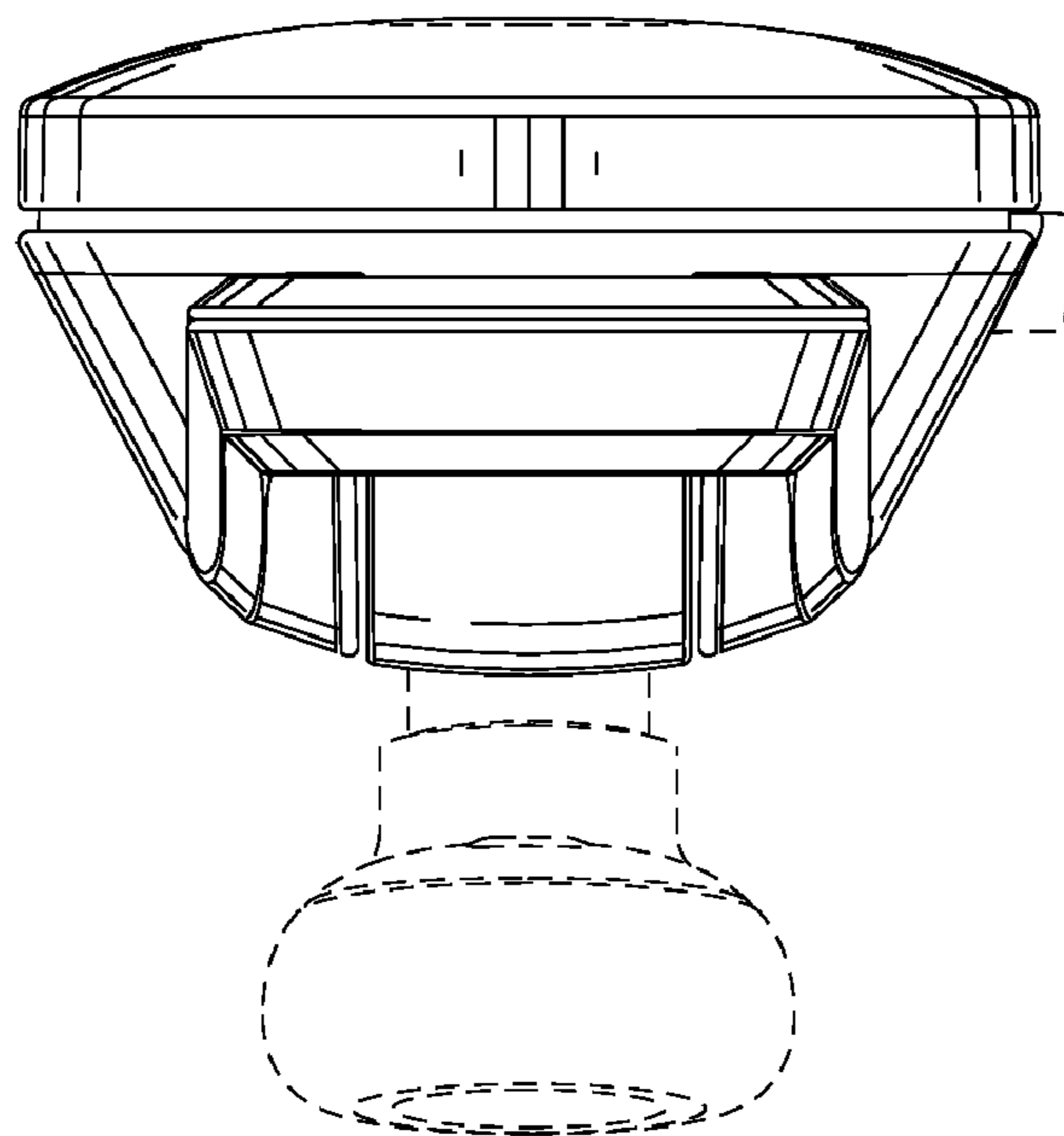


FIG. 6

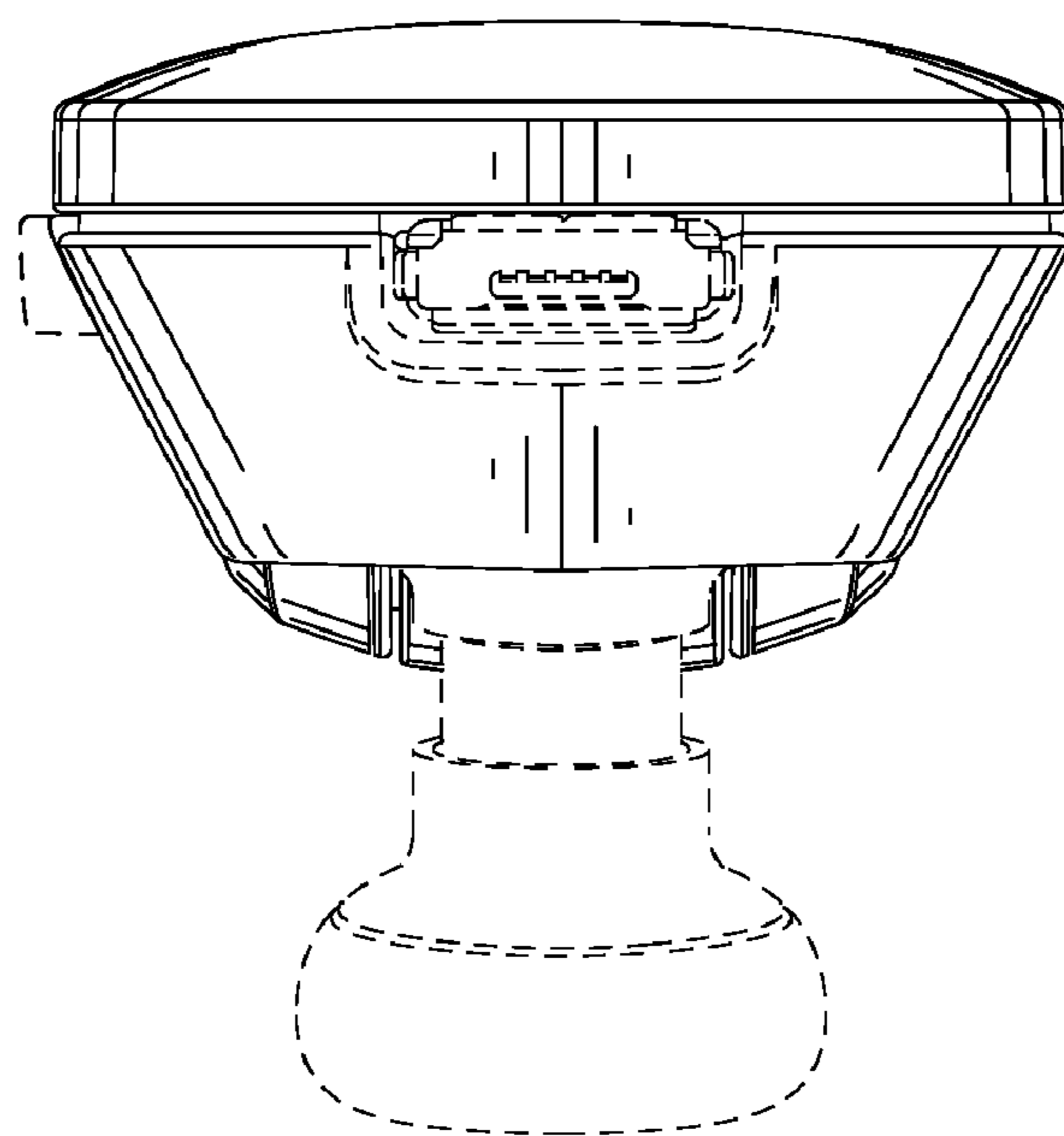


FIG. 7