



US00D597532S

(12) **United States Design Patent**  
**Wang**

(10) **Patent No.:** **US D597,532 S**

(45) **Date of Patent:** **\*\* Aug. 4, 2009**

(54) **LOUDSPEAKER**

(76) **Inventor:** **Li-Pen Wang**, 3F, 10 Alley 4, Lane 106,  
Sec. 4, Bade Rd., Taipei (TW)

(\*\*) **Term:** **14 Years**

(21) **Appl. No.:** **29/329,531**

(22) **Filed:** **Dec. 17, 2008**

(51) **LOC (9) Cl.** ..... **14-01**

(52) **U.S. Cl.** ..... **D14/216; D14/211**

(58) **Field of Classification Search** ..... D14/204,  
D14/207, 210–216, 170–172, 168, 500; 181/143–144,  
181/147–148, 150–153, 157, 198–199; 381/300–303,  
381/306, 332–333, 336, 345, 361–364, 386–388  
See application file for complete search history.

(56) **References Cited**

**U.S. PATENT DOCUMENTS**

D186,892 S *	12/1959	Wilber	.....	D14/211
D430,142 S *	8/2000	Kuo et al.	.....	D14/216
D440,557 S *	4/2001	Su	.....	D14/215
D466,887 S *	12/2002	Lewis	.....	D14/216
D467,238 S *	12/2002	Hlas et al.	.....	D14/216
D487,737 S *	3/2004	Lewis	.....	D14/215
D510,926 S *	10/2005	Jerome	.....	D14/500
D514,092 S *	1/2006	Christianson	.....	D14/216

D514,548 S *	2/2006	Chan	.....	D14/216
D524,291 S *	7/2006	Tsang	.....	D14/216
D526,644 S *	8/2006	Breit	.....	D14/216
D541,260 S *	4/2007	Christianson	.....	D14/215
D552,084 S *	10/2007	Chapman et al.	.....	D14/216

\* cited by examiner

*Primary Examiner*—Nanda Bondade

(57) **CLAIM**

The ornamental design for a loudspeaker, as shown and described.

**DESCRIPTION**

FIG. 1 is a perspective view of a loudspeaker showing the new design;

FIG. 2 is a front view thereof;

FIG. 3 is a rear view thereof;

FIG. 4 is a left side elevated view thereof;

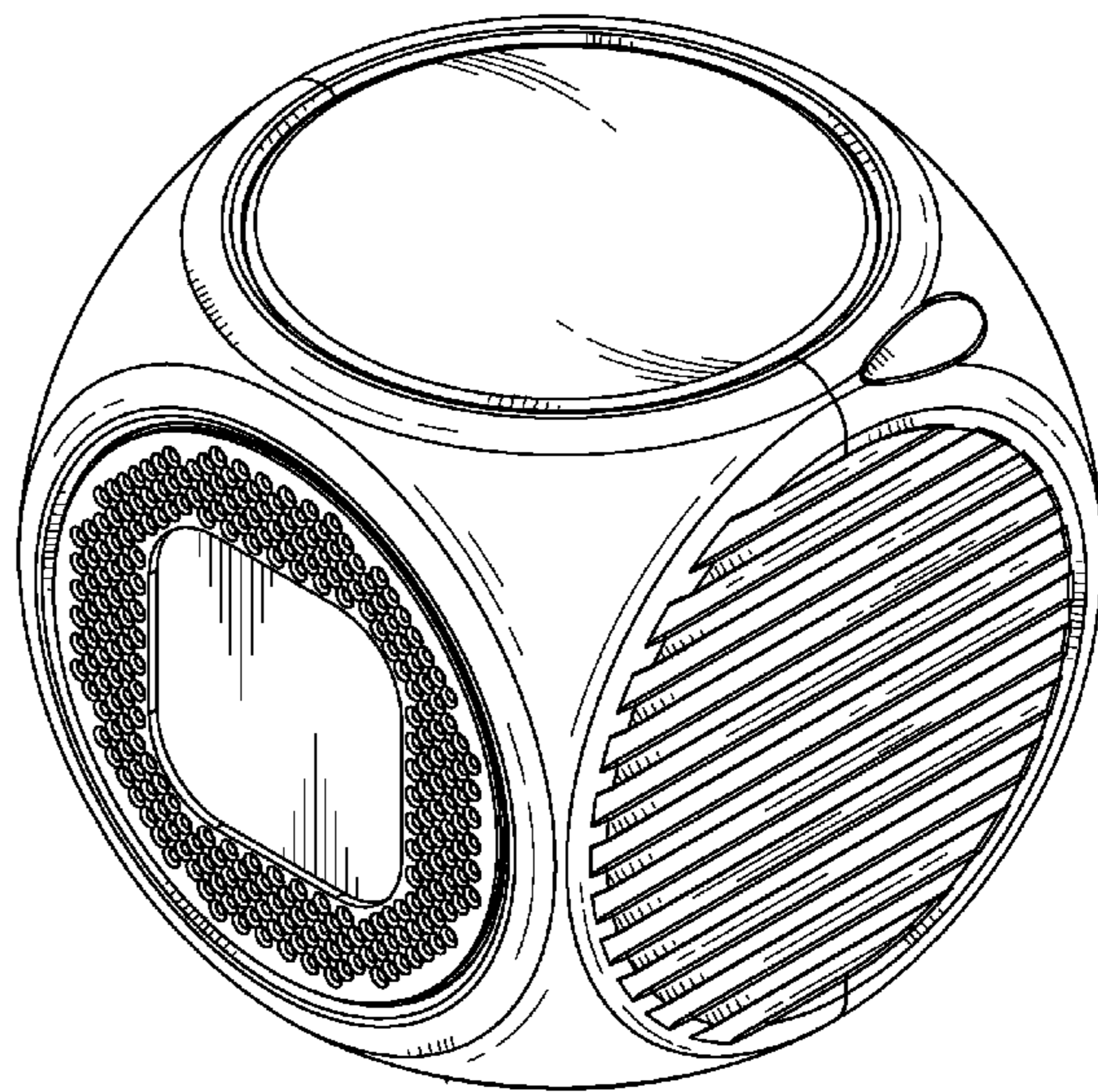
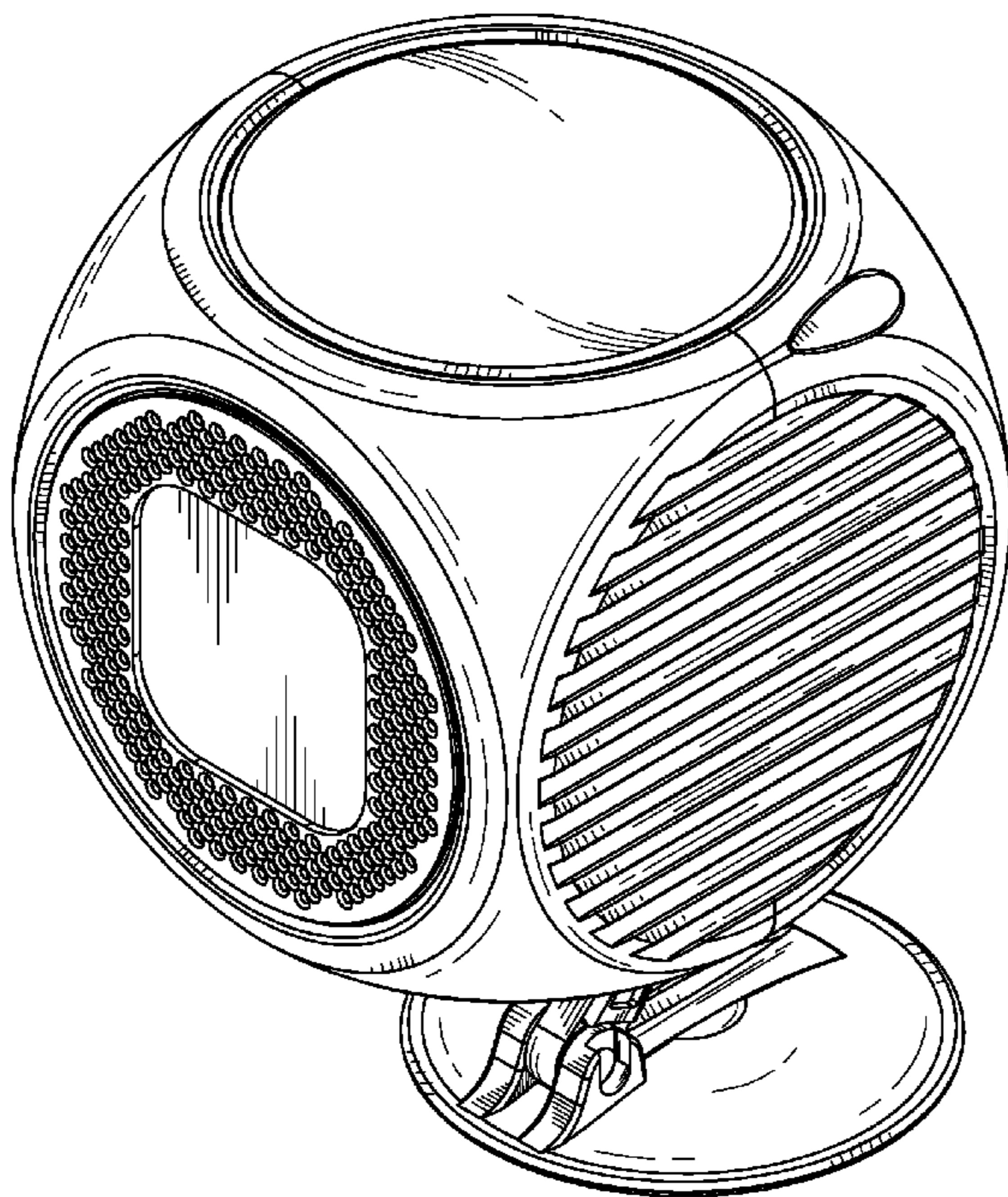
FIG. 5 is a right side elevated view thereof;

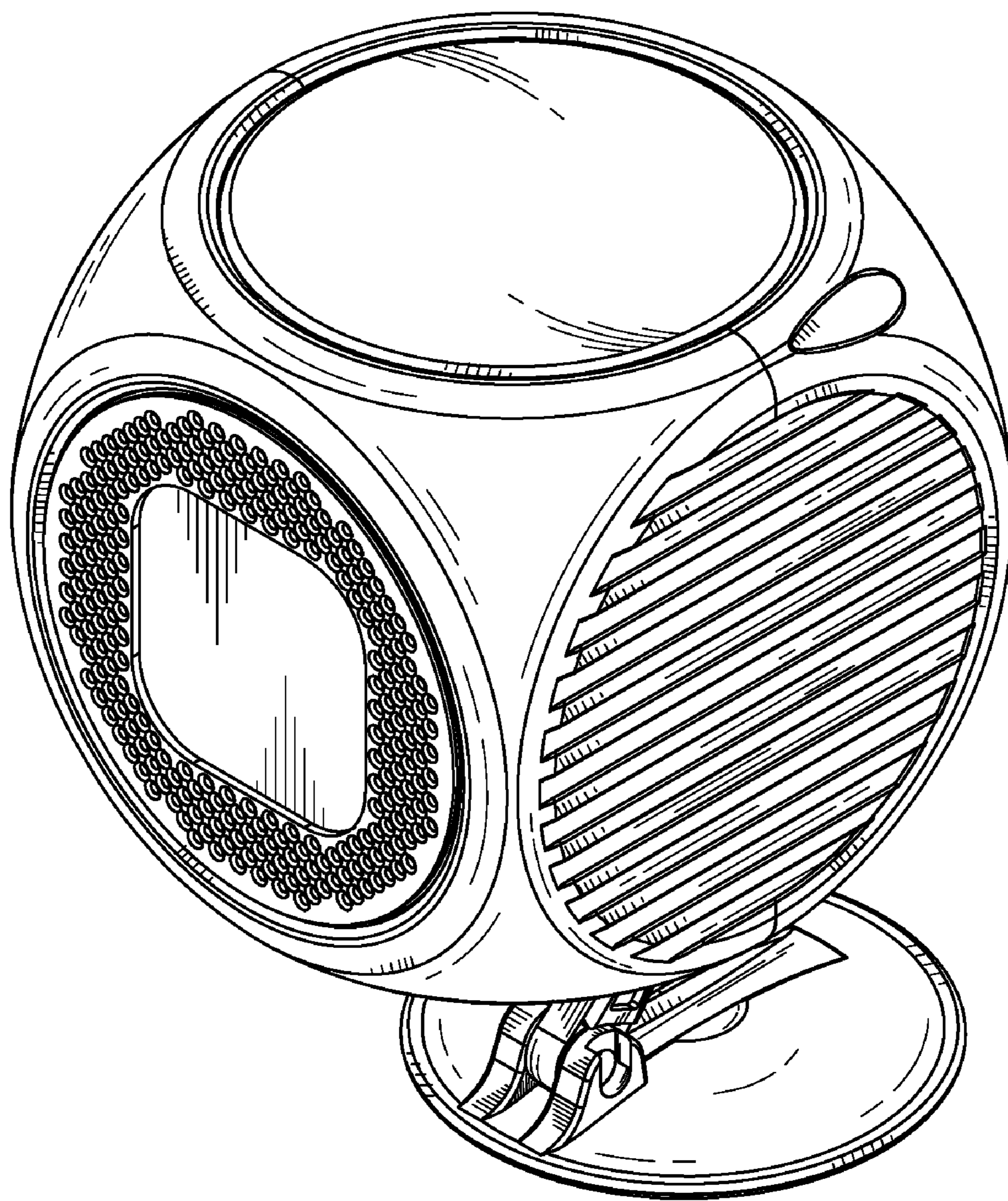
FIG. 6 is a top view thereof;

FIG. 7 is a bottom view thereof; and,

FIG. 8 is a view similar to FIG. 1 with the leg stand positioned inside the loudspeaker.

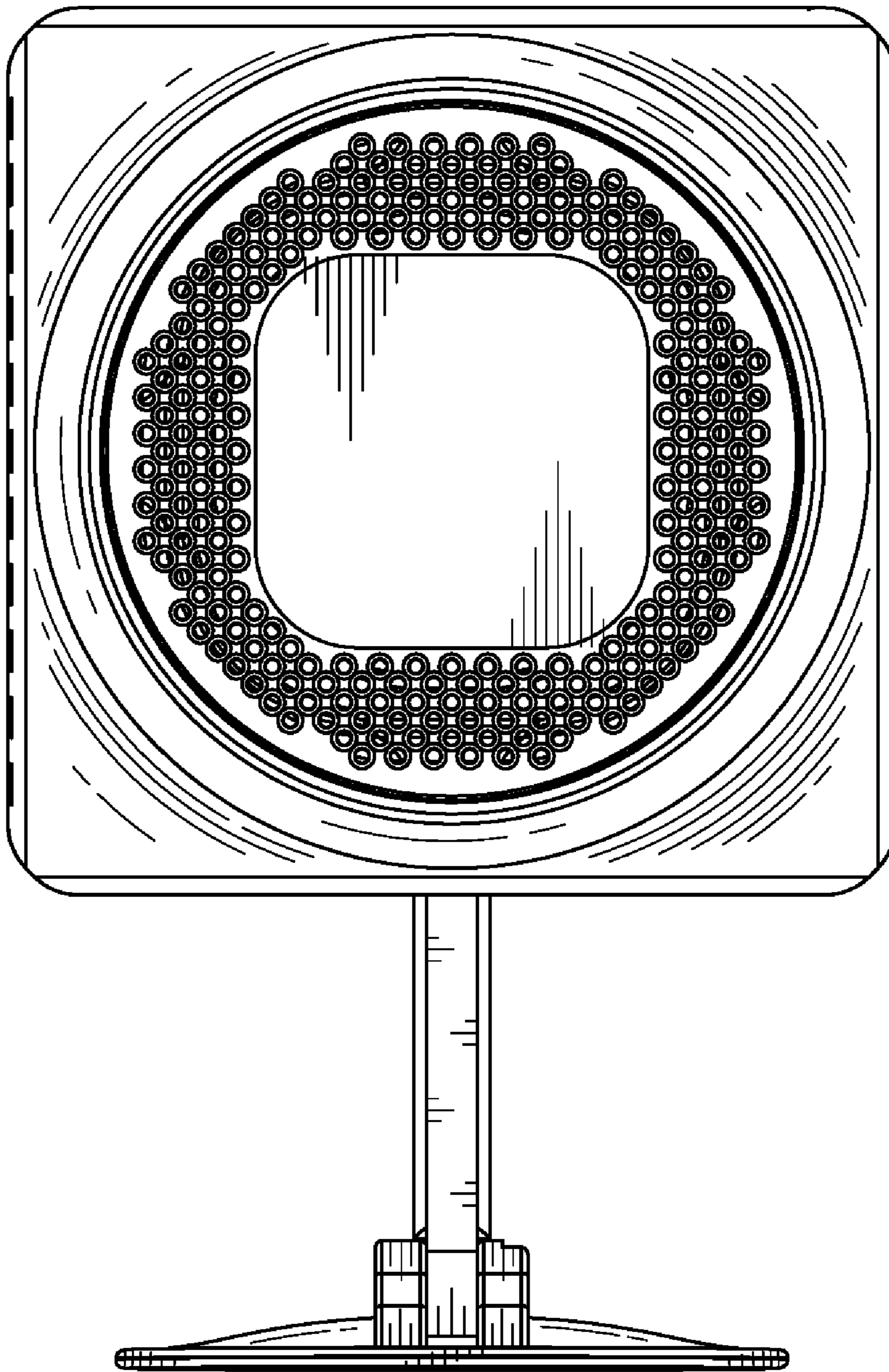
**1 Claim, 8 Drawing Sheets**



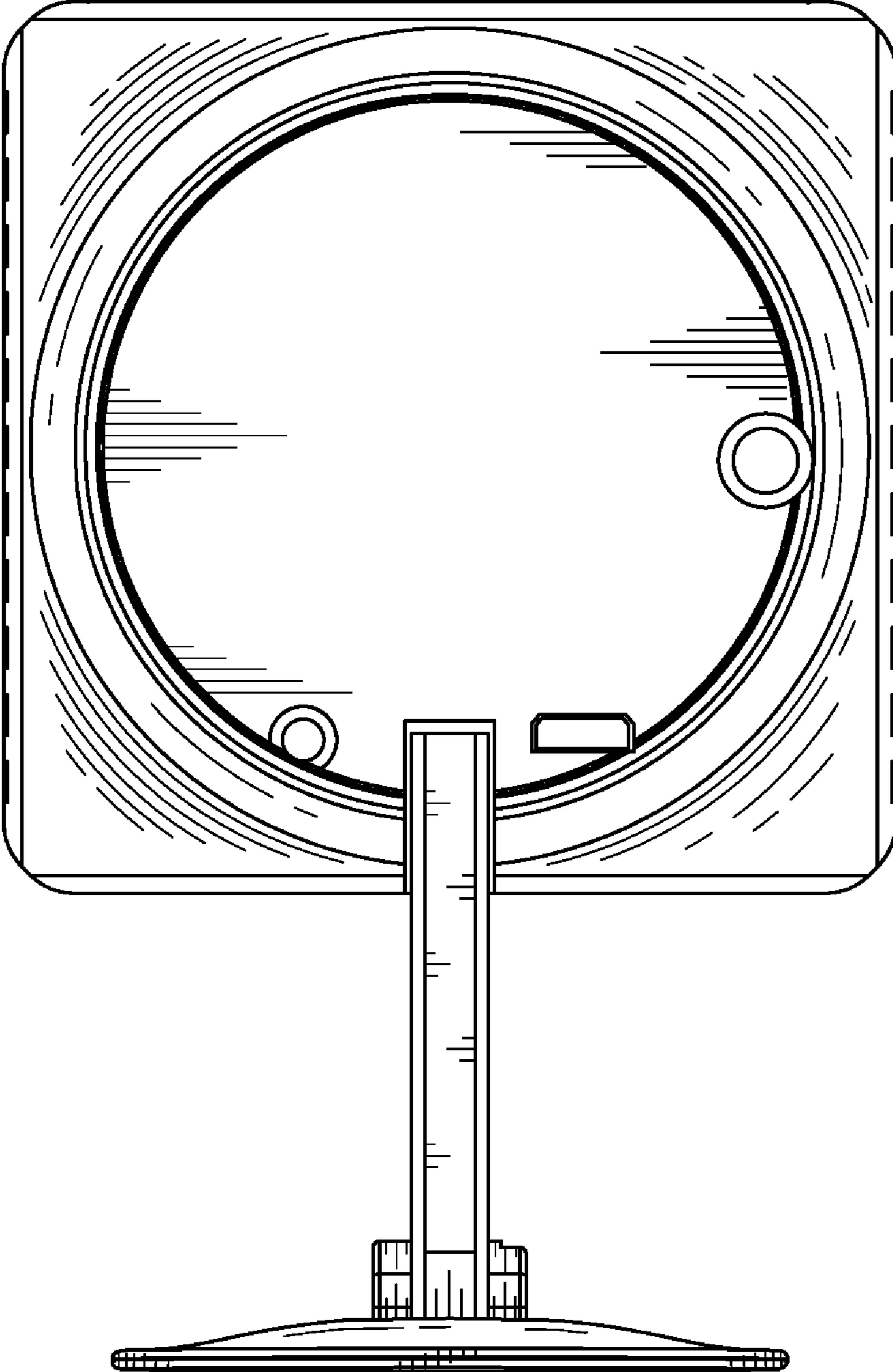


**FIG. 1**

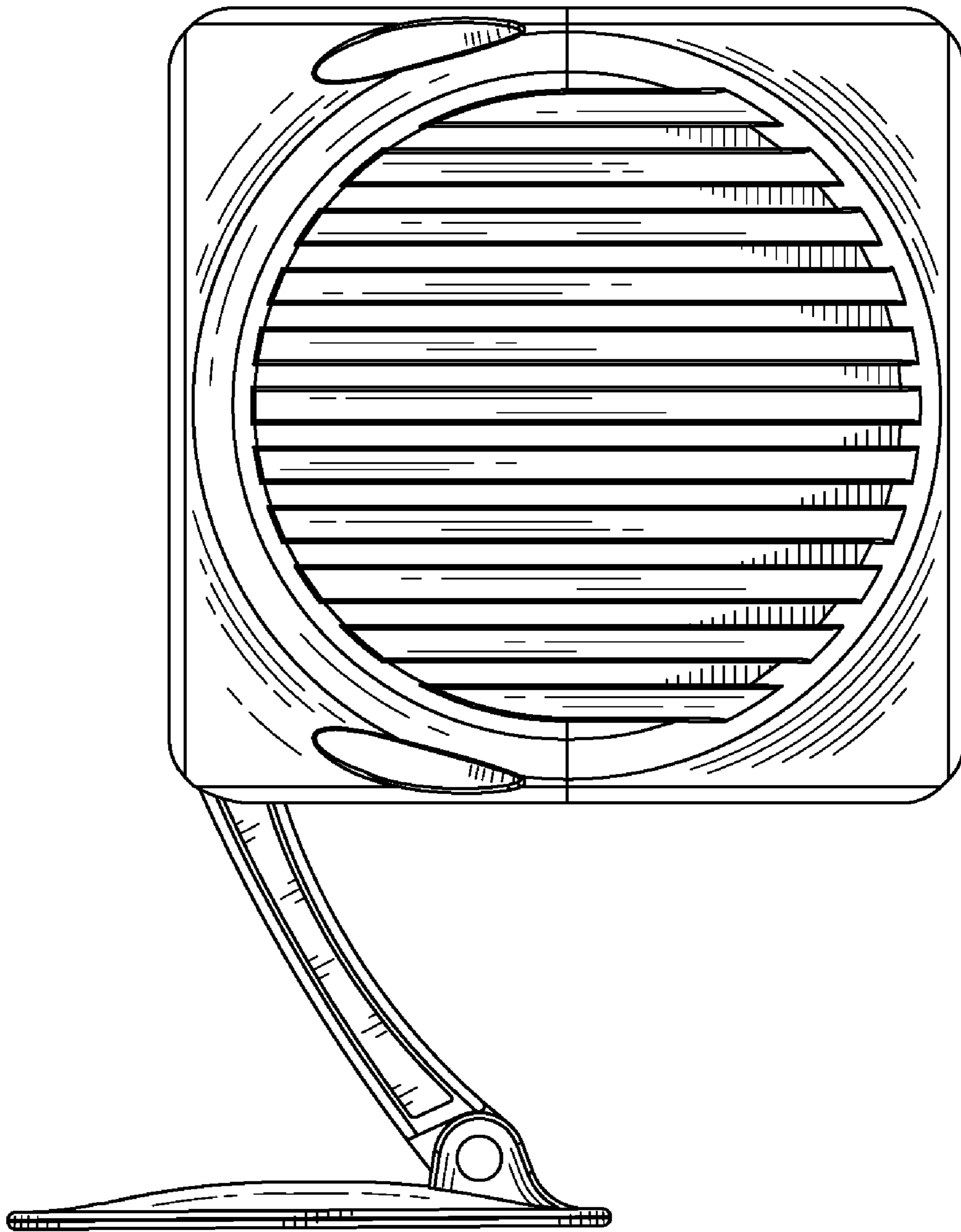




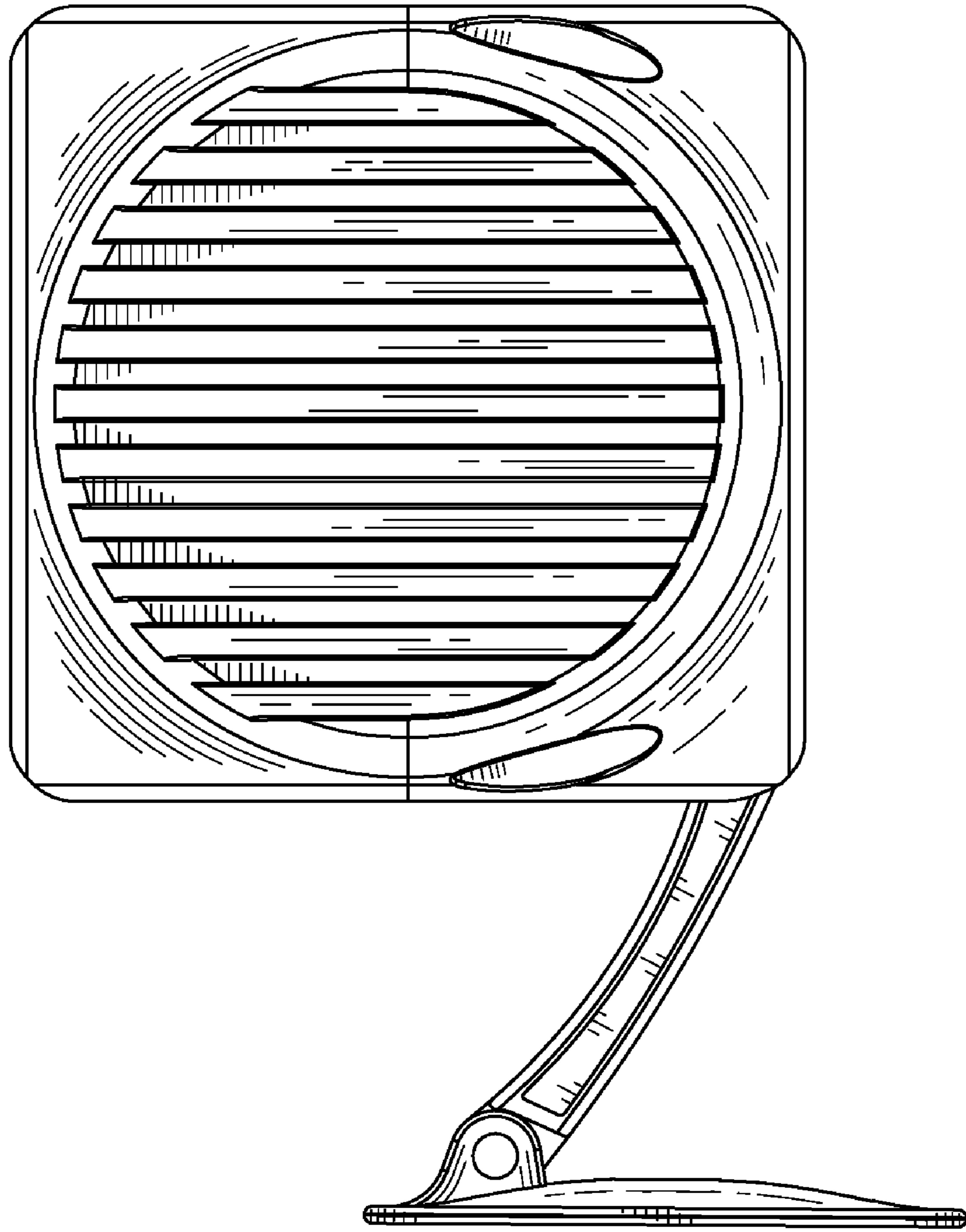
**FIG. 2**



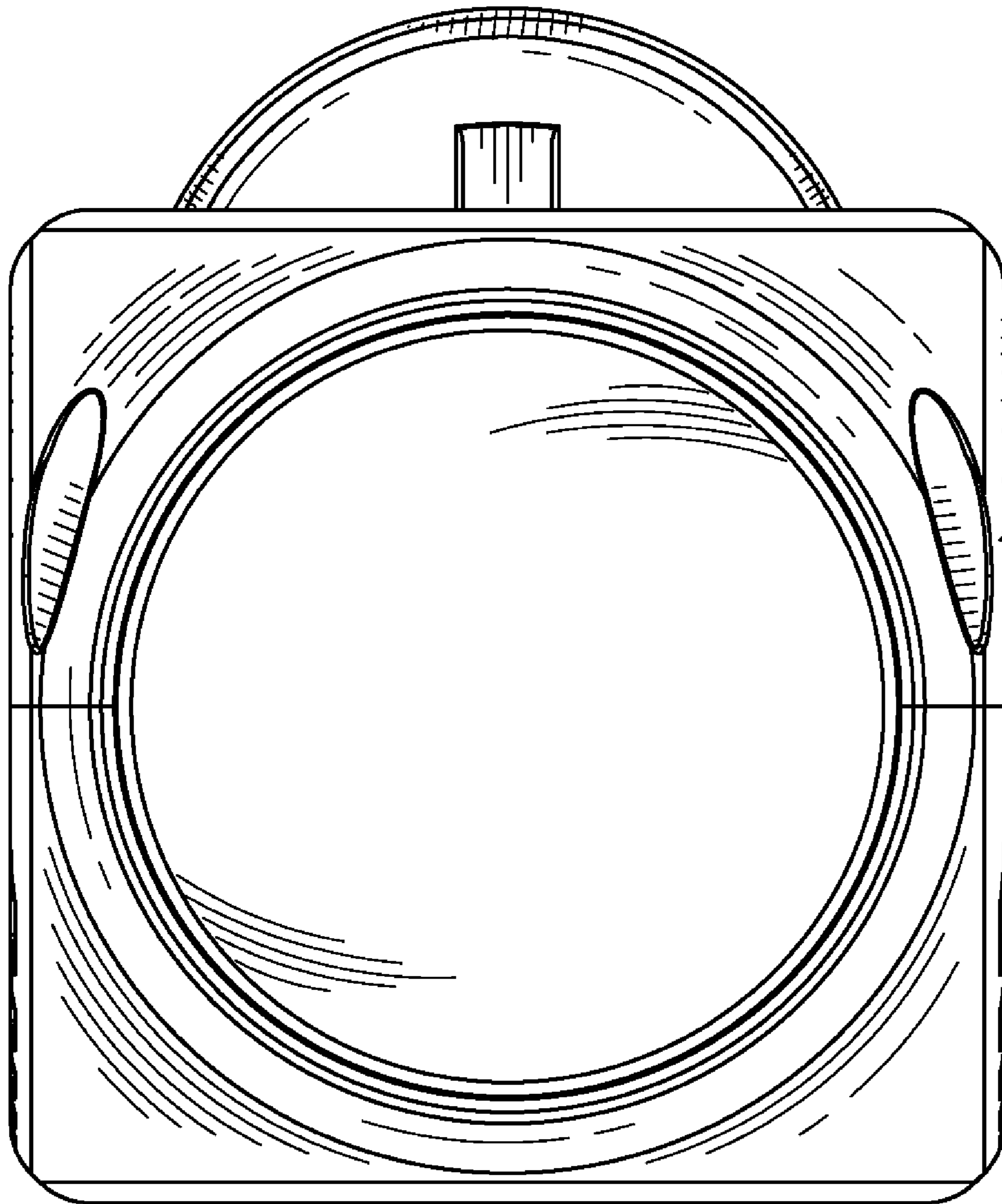
**FIG. 3**



**FIG. 4**

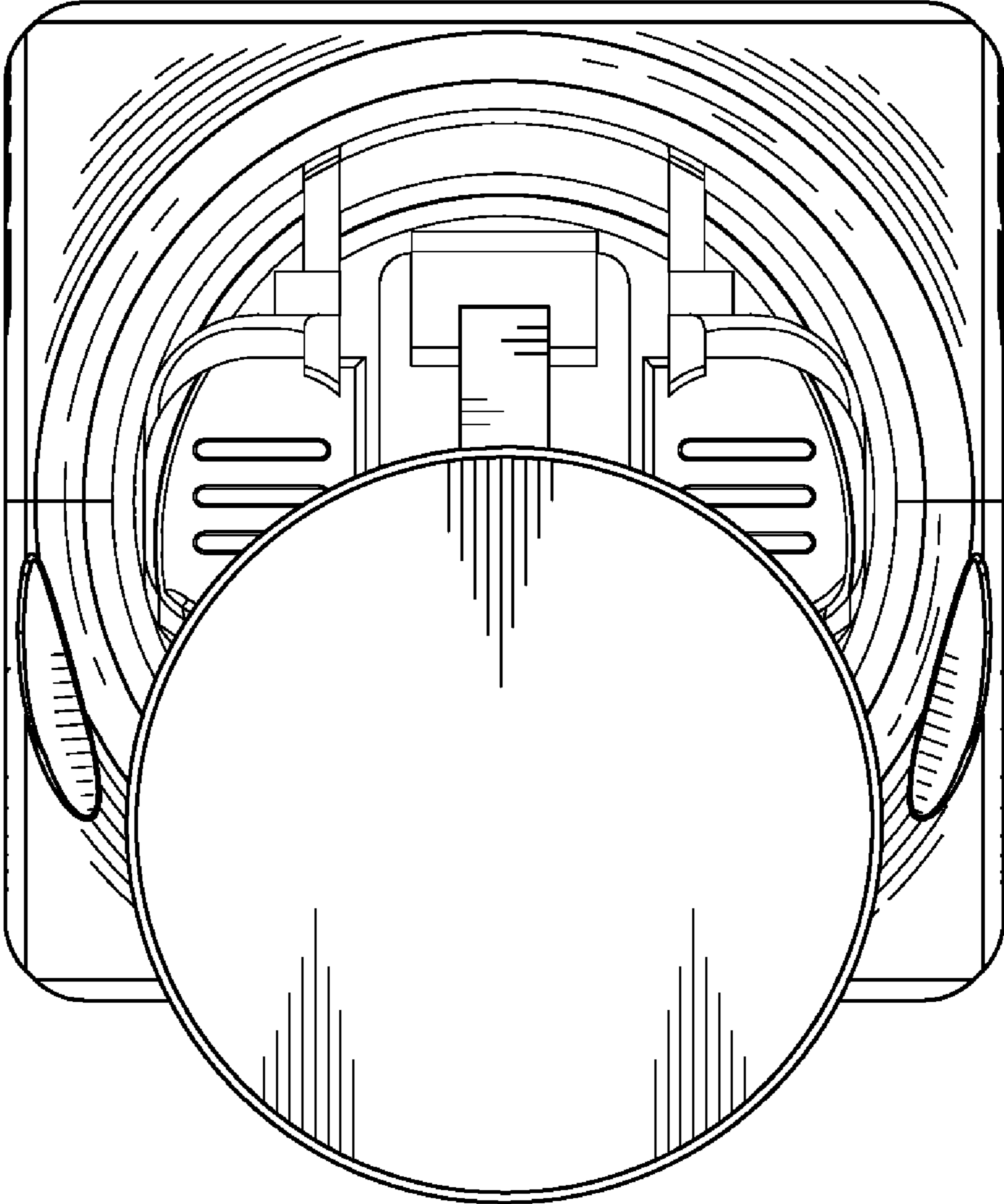


**FIG. 5**



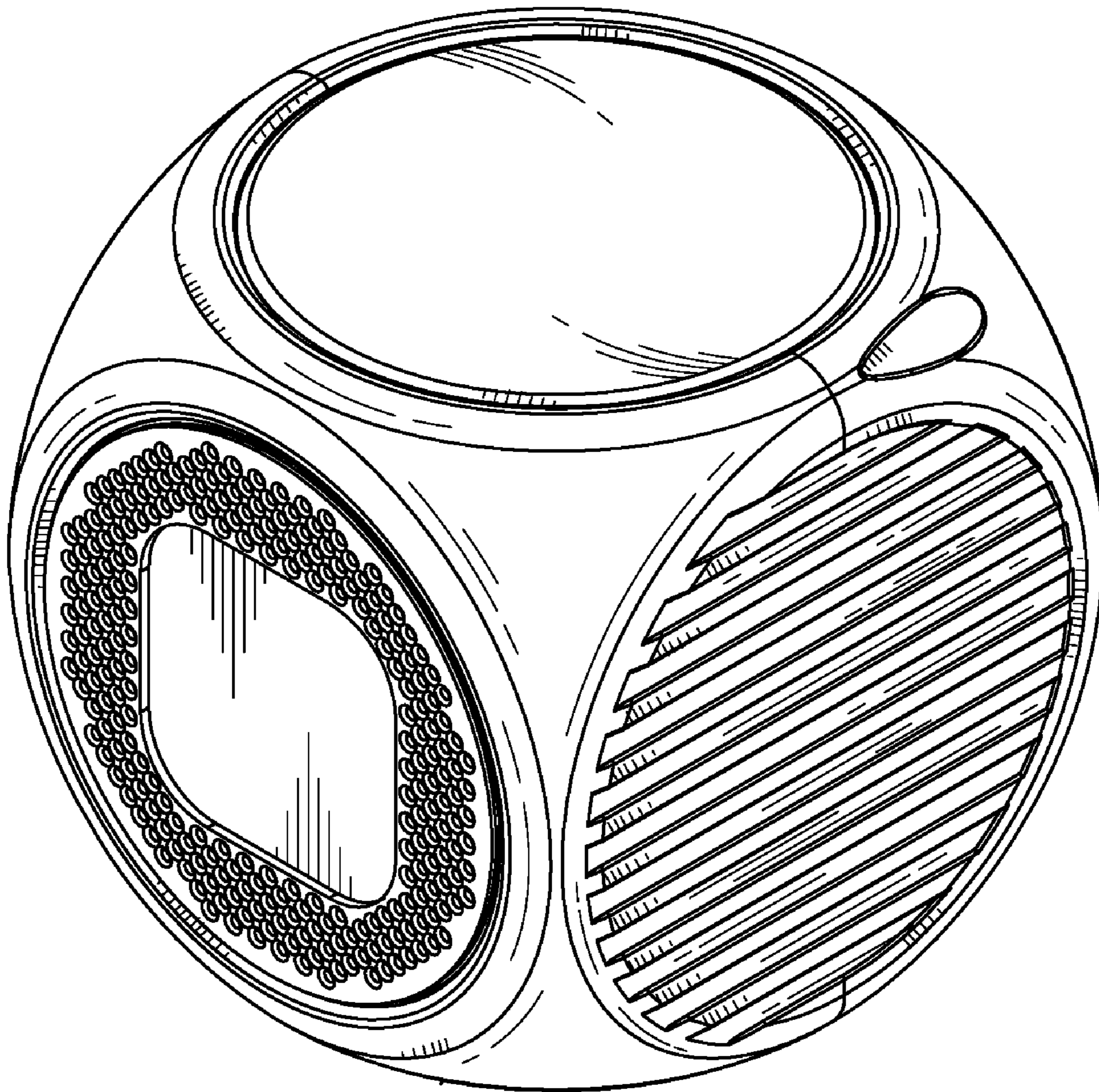
***FIG. 6***





**FIG. 7**





**FIG. 8**