



US00D597530S

(12) **United States Design Patent**
Andre et al.

(10) **Patent No.:** **US D597,530 S**
(45) **Date of Patent:** **** Aug. 4, 2009**

(54) **SPEAKER UNIT**

(75) Inventors: **Bartley K. Andre**, Menlo Park, CA (US); **Daniel J. Coster**, San Francisco, CA (US); **Daniele De Iuliis**, San Francisco, CA (US); **Richard P. Howarth**, San Francisco, CA (US); **Jonathan P. Ive**, San Francisco, CA (US); **Steve Jobs**, Palo Alto, CA (US); **Duncan Robert Kerr**, San Francisco, CA (US); **Shin Nishibori**, Portola Valley, CA (US); **Matthew Dean Rohrbach**, San Francisco, CA (US); **Douglas B. Satzger**, Menlo Park, CA (US); **Calvin Q. Seid**, Palo Alto, CA (US); **Christopher J. Stringer**, Woodside, CA (US); **Eugene Antony Whang**, San Francisco, CA (US); **Rico Zorkendorfer**, San Francisco, CA (US)

(73) Assignee: **Apple Inc.**, Cupertino, CA (US)

(**) Term: **14 Years**

(21) Appl. No.: **29/334,620**

(22) Filed: **Mar. 30, 2009**

Related U.S. Application Data

(60) Continuation of application No. 29/327,406, filed on Nov. 5, 2008, now Pat. No. Des. 592,644, which is a division of application No. 29/296,896, filed on Oct. 30, 2007, now Pat. No. Des. 580,912, which is a continuation of application No. 29/240,183, filed on Oct. 7, 2005, now Pat. No. Des. 560,656.

(51) **LOC (9) Cl.** **14-01**

(52) **U.S. Cl.** **D14/214**

(58) **Field of Classification Search** D14/204, D14/209–217, 188, 168, 156, 171–172; 181/143–144, 181/147–148, 150, 157, 198–199, 151, 153; 381/300–302, 306, 333, 345, 361–364, 386–388, 381/332, 336

See application file for complete search history.

(56) **References Cited**

U.S. PATENT DOCUMENTS

3,143,182 A 8/1964 Sear et al.

(Continued)

OTHER PUBLICATIONS

U.S. Appl. No. 29/327,406, Andre et al., “Speaker Unit”, filed Nov. 5, 2008.

Primary Examiner—Nanda Bondade

(74) *Attorney, Agent, or Firm*—Sterne, Kessler, Goldstein & Fox, P.L.L.C.

(57) **CLAIM**

We claim the ornamental design for a speaker unit, as shown and described.

DESCRIPTION

FIG. 1 is a front perspective view of a speaker unit in accordance with the present design;

FIG. 2 is a rear perspective view thereof;

FIG. 3 is a front view thereof;

FIG. 4 is a rear view thereof;

FIG. 5 is a top view thereof;

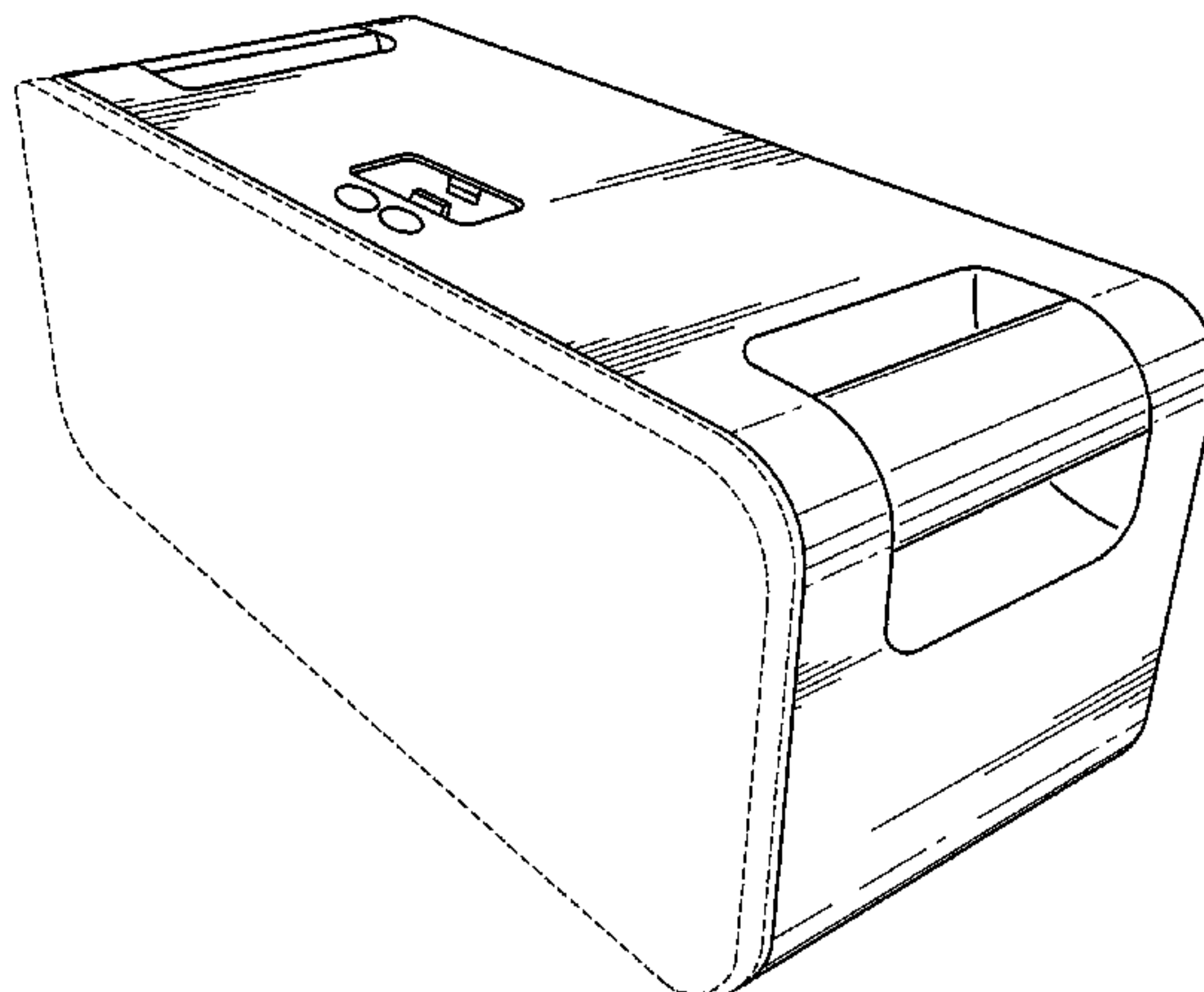
FIG. 6 is a bottom view thereof;

FIG. 7 is a right side view thereof; and,

FIG. 8 is a left side view thereof.

The broken line showing on the drawing disclosure is for illustrative purpose only and forms no part of the claimed design.

1 Claim, 5 Drawing Sheets



US D597,530 S

Page 2

U.S. PATENT DOCUMENTS

D369,356 S	4/1996	Olson	D514,090 S	1/2006	Carbone et al.	
D385,530 S	10/1997	Hames et al.	7,075,579 B2	7/2006	Whitby et al.	
D395,047 S	6/1998	Segan et al.	D526,321 S	8/2006	Hayes et al.	
D397,996 S	9/1998	Smith	D530,717 S	10/2006	Mori et al.	
5,952,814 A	9/1999	Van Lerberghe	D532,005 S	11/2006	Leith	
D418,138 S	12/1999	Miyazaki	7,145,603 B2	12/2006	Whitby et al.	
D442,939 S	5/2001	Goldenburg	D535,614 S	1/2007	Majanen et al.	
6,591,085 B1	7/2003	Grady	D560,656 S	1/2008	Andre et al.	
D480,708 S	10/2003	Bothe	D561,741 S *	2/2008	Huang	D14/214
D503,396 S	3/2005	Hisatsune	D580,911 S	11/2008	Andre et al.	
D508,041 S	8/2005	Carbone et al.	D581,399 S	11/2008	Andre et al.	
D508,689 S	8/2005	Schul et al.	D581,912 S	11/2008	Andre et al.	
D510,091 S	9/2005	Mori et al.	D582,887 S *	12/2008	Poandl	D14/217
			2004/0162029 A1	8/2004	Grady	

* cited by examiner

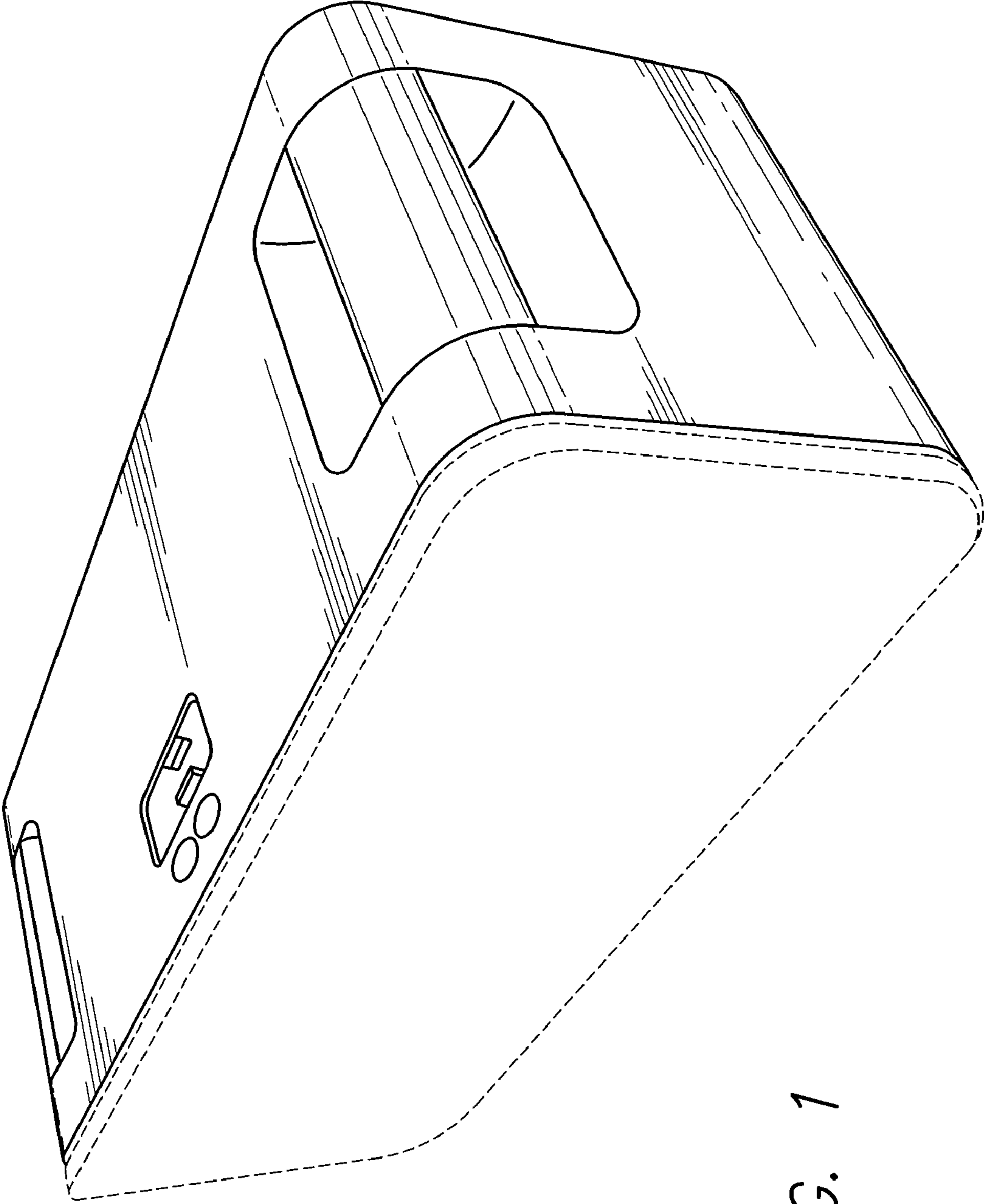


FIG. 1

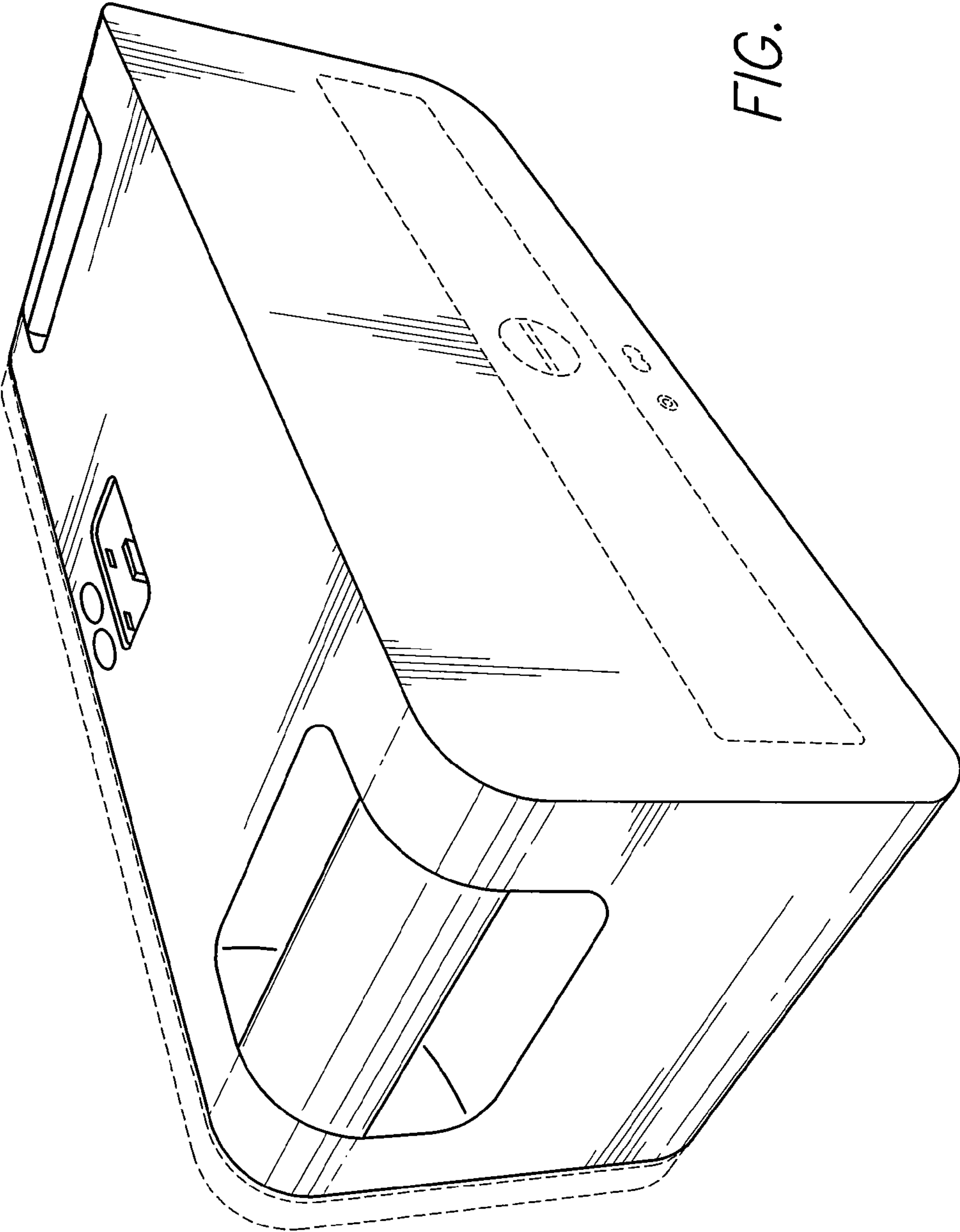


FIG. 2



FIG. 3

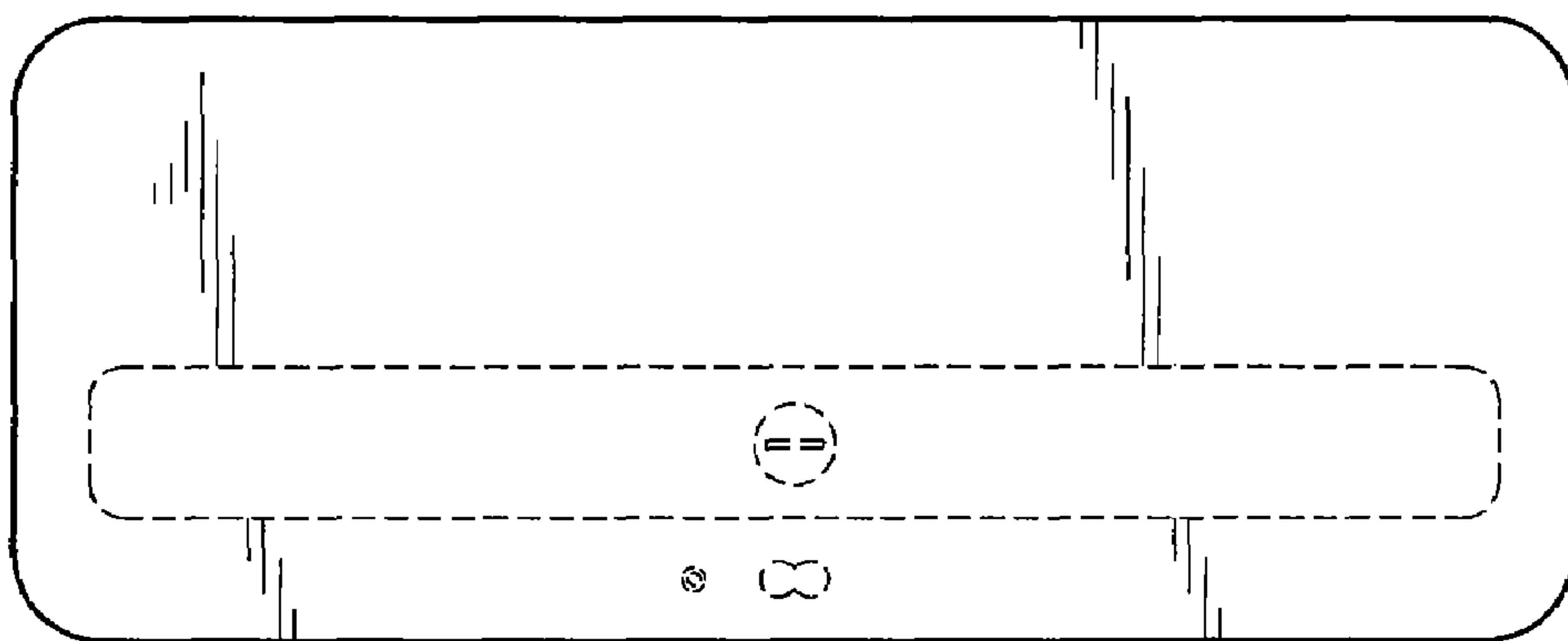


FIG. 4

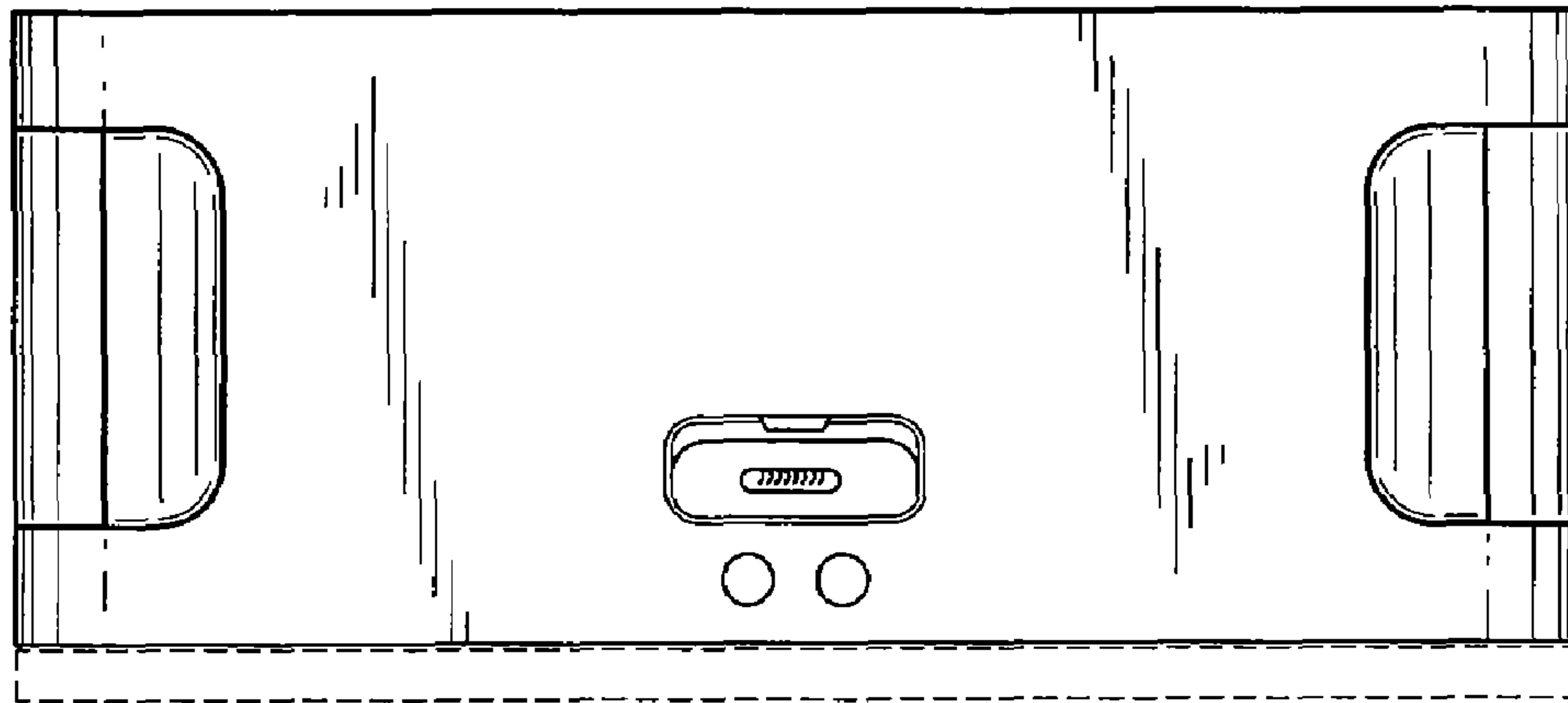


FIG. 5

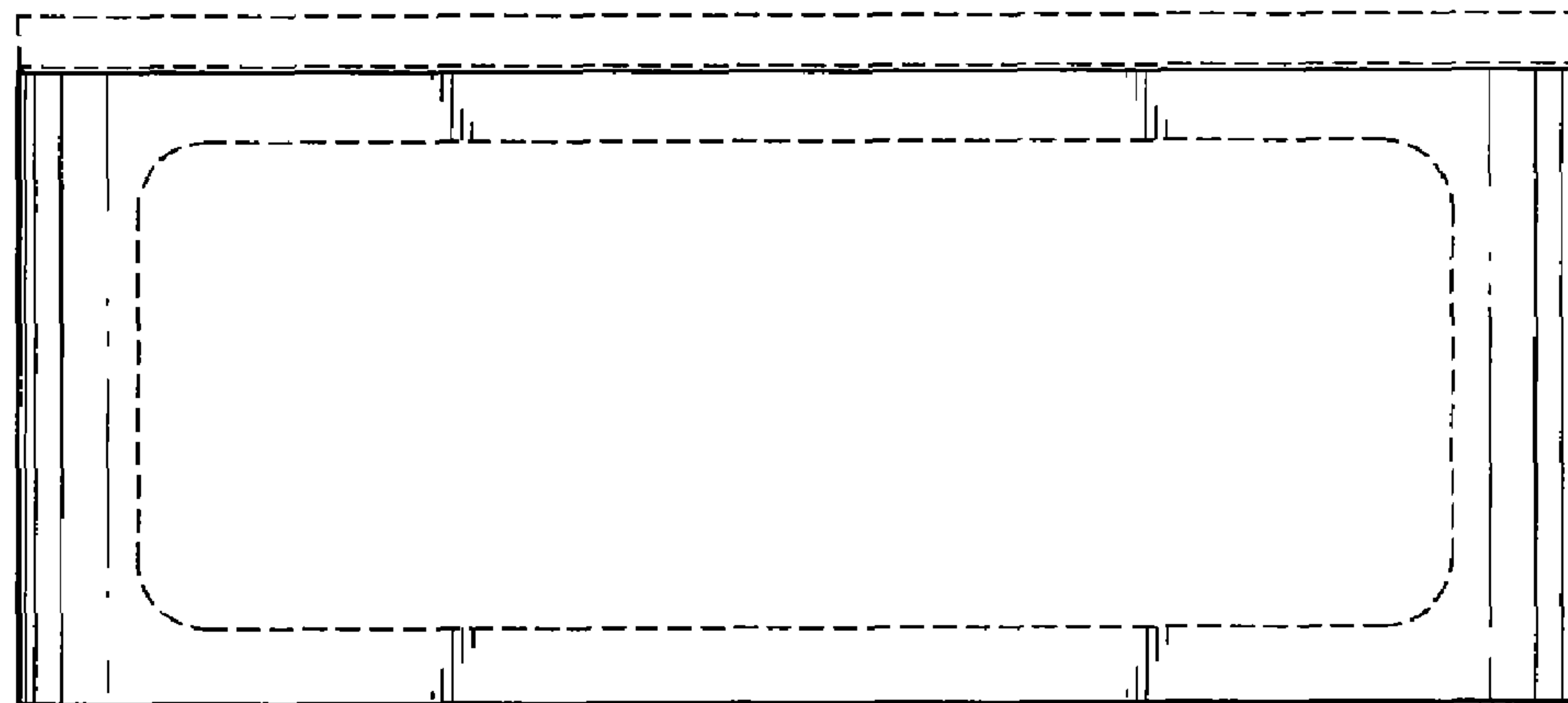


FIG. 6

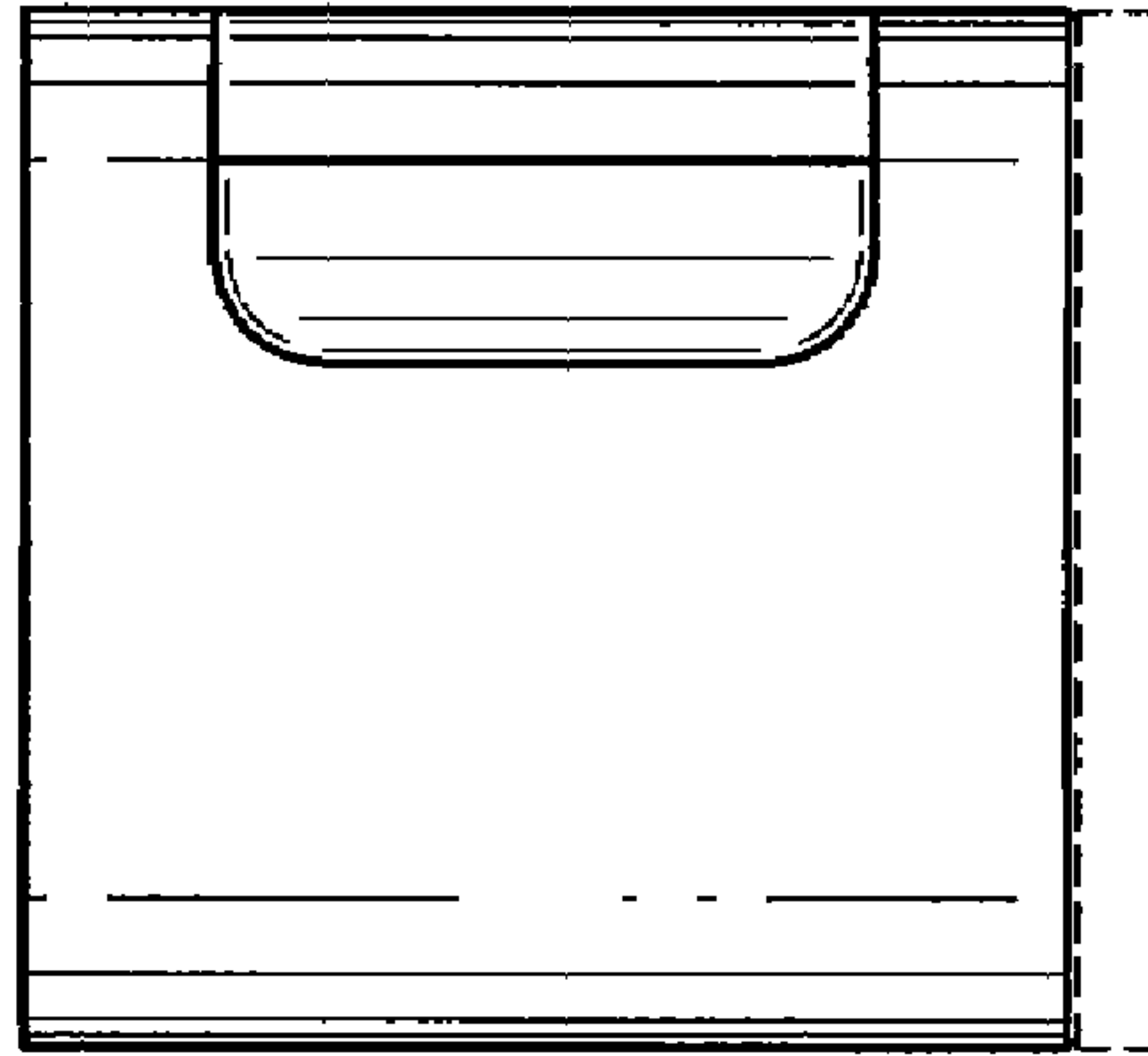


FIG. 7

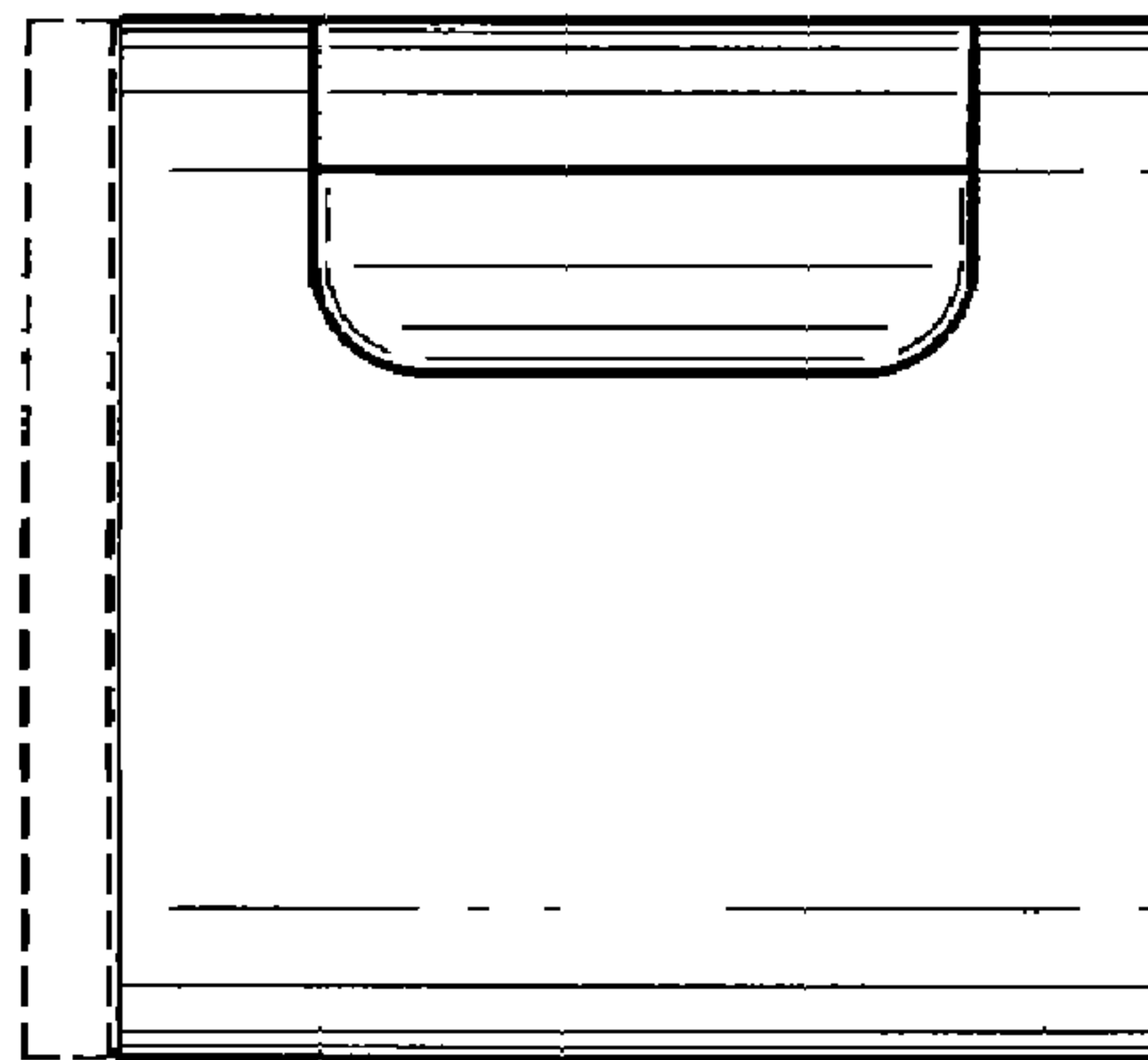


FIG. 8