



US00D597526S

(12) **United States Design Patent**
Garrett

(10) **Patent No.:** **US D597,526 S**

(45) **Date of Patent:** **** Aug. 4, 2009**

(54) **ALARM CLOCK AMPLIFIER FOR DIGITAL MEDIA PLAYER**

D503,933 S * 4/2005 Lum D14/215
D538,267 S * 3/2007 Christianson et al. D14/216
D541,260 S * 4/2007 Christianson D14/215
D549,220 S * 8/2007 Tsang D14/216

(75) Inventor: **Jennifer Elizabeth Garrett**, Ardsley, PA (US)

* cited by examiner

(73) Assignee: **SDI Technologies, Inc.**, Rahway, NJ (US)

Primary Examiner—Nanda Bondade
(74) *Attorney, Agent, or Firm*—Ostrolenk Faber LLP

(**) Term: **14 Years**

(57) **CLAIM**

(21) Appl. No.: **29/320,794**

The ornamental design for alarm clock amplifier for digital media player, as shown and described.

(22) Filed: **Jul. 3, 2008**

DESCRIPTION

(51) **LOC (9) Cl.** **14-01**

FIG. 1 is a front perspective view of an alarm clock amplifier for digital media player showing my new design;

(52) **U.S. Cl.** **D14/209.1; D14/171**

FIG. 2 is a front view thereof;

(58) **Field of Classification Search** D14/204, D14/209.1, 210–216, 168, 170–172, 188; 181/143–144, 147–148, 150–153, 157, 198–199; 381/300–303, 306, 332–333, 336, 345, 361–364, 381/386–388; D10/1, 2, 15

FIG. 3 is a rear view thereof;

See application file for complete search history.

FIG. 4 is a right, side view thereof, the opposite side view being a mirror image;

FIG. 5 is a top view thereof; and,

FIG. 6 is a bottom thereof.

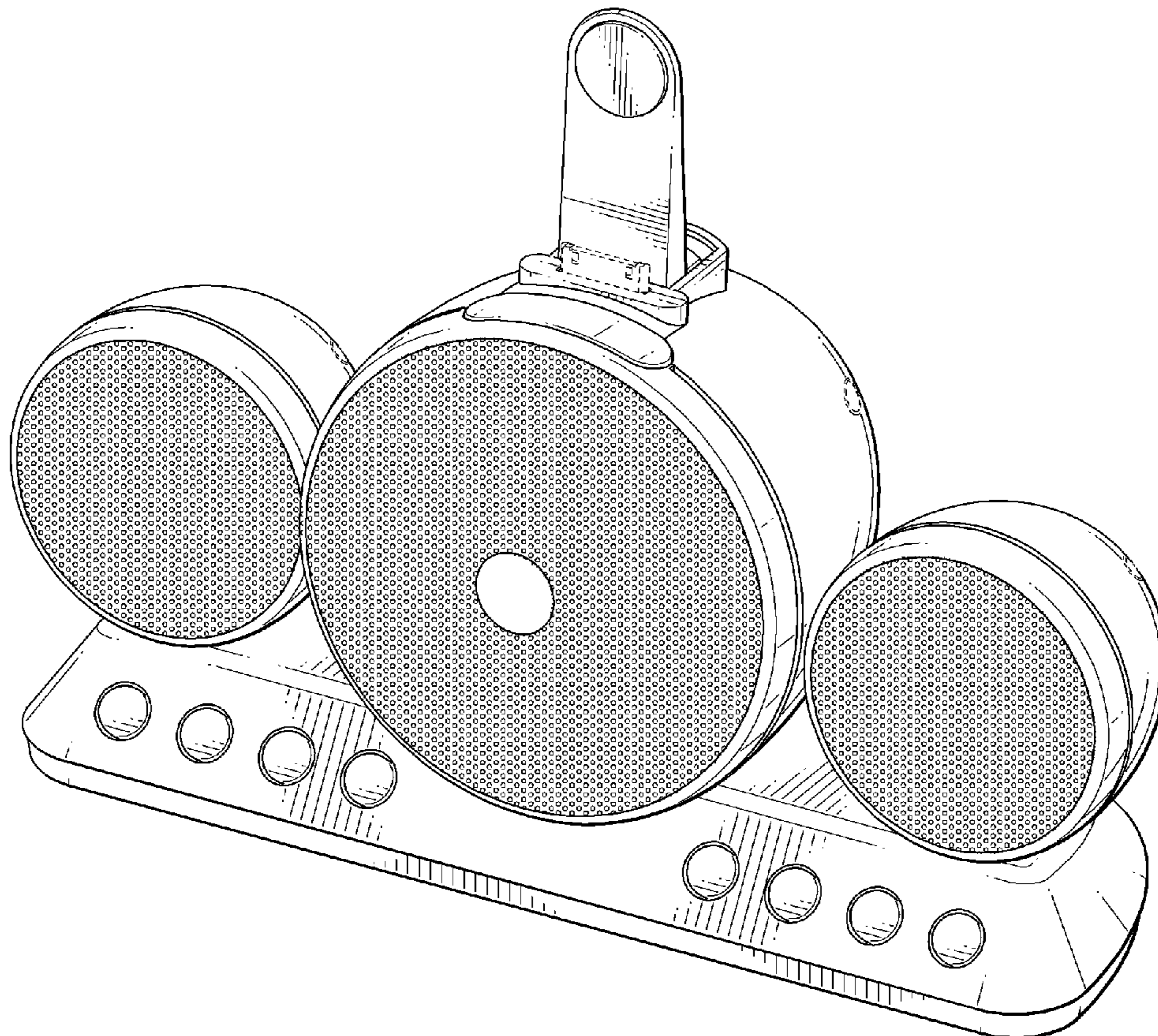
Environmental material shown in broken lines form no part claimed of the design.

(56) **References Cited**

U.S. PATENT DOCUMENTS

D283,510 S * 4/1986 Hsu D14/170
D374,444 S * 10/1996 Blessing D14/216
D494,567 S * 8/2004 Borsboom D14/215

1 Claim, 6 Drawing Sheets



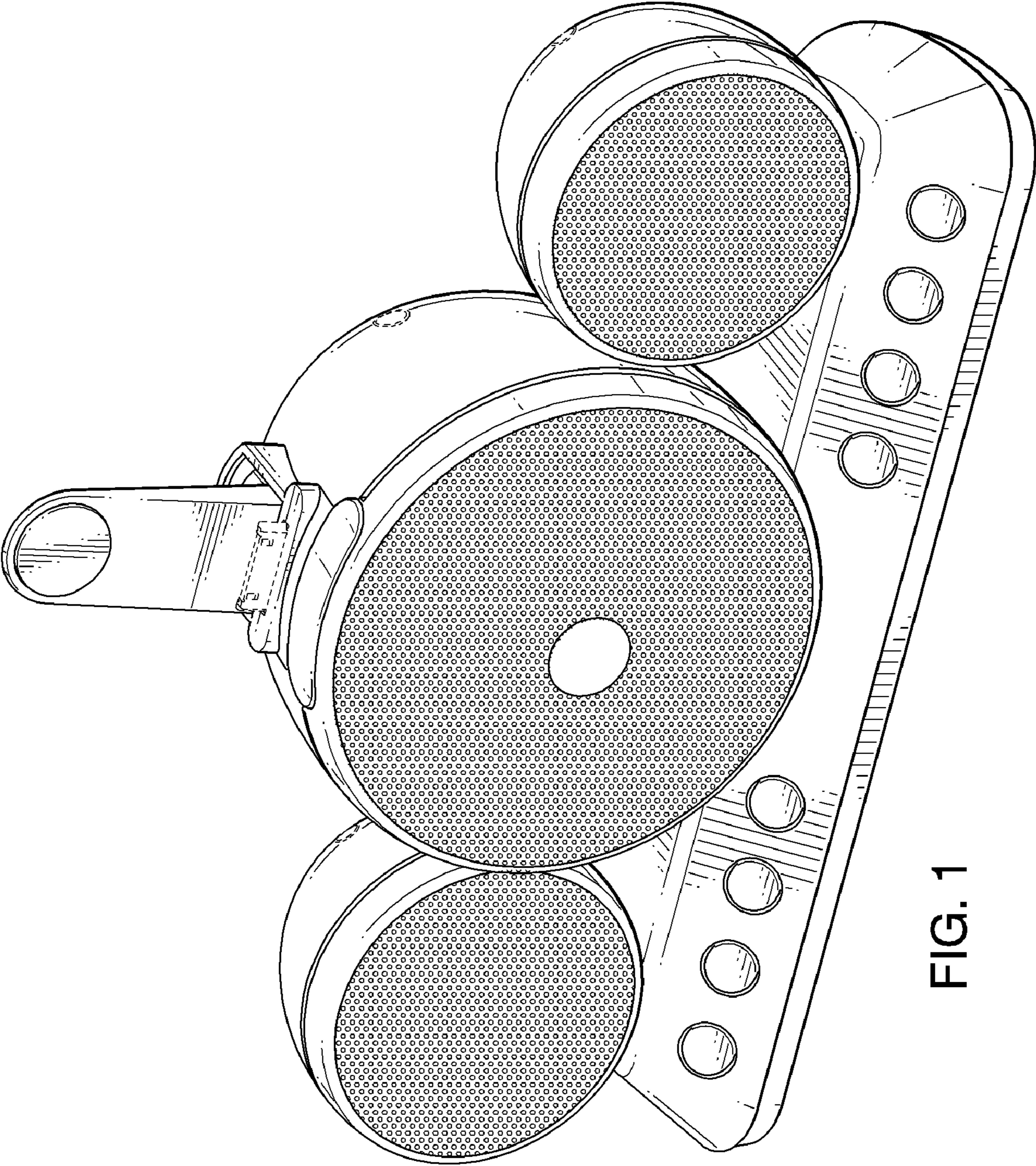


FIG. 1

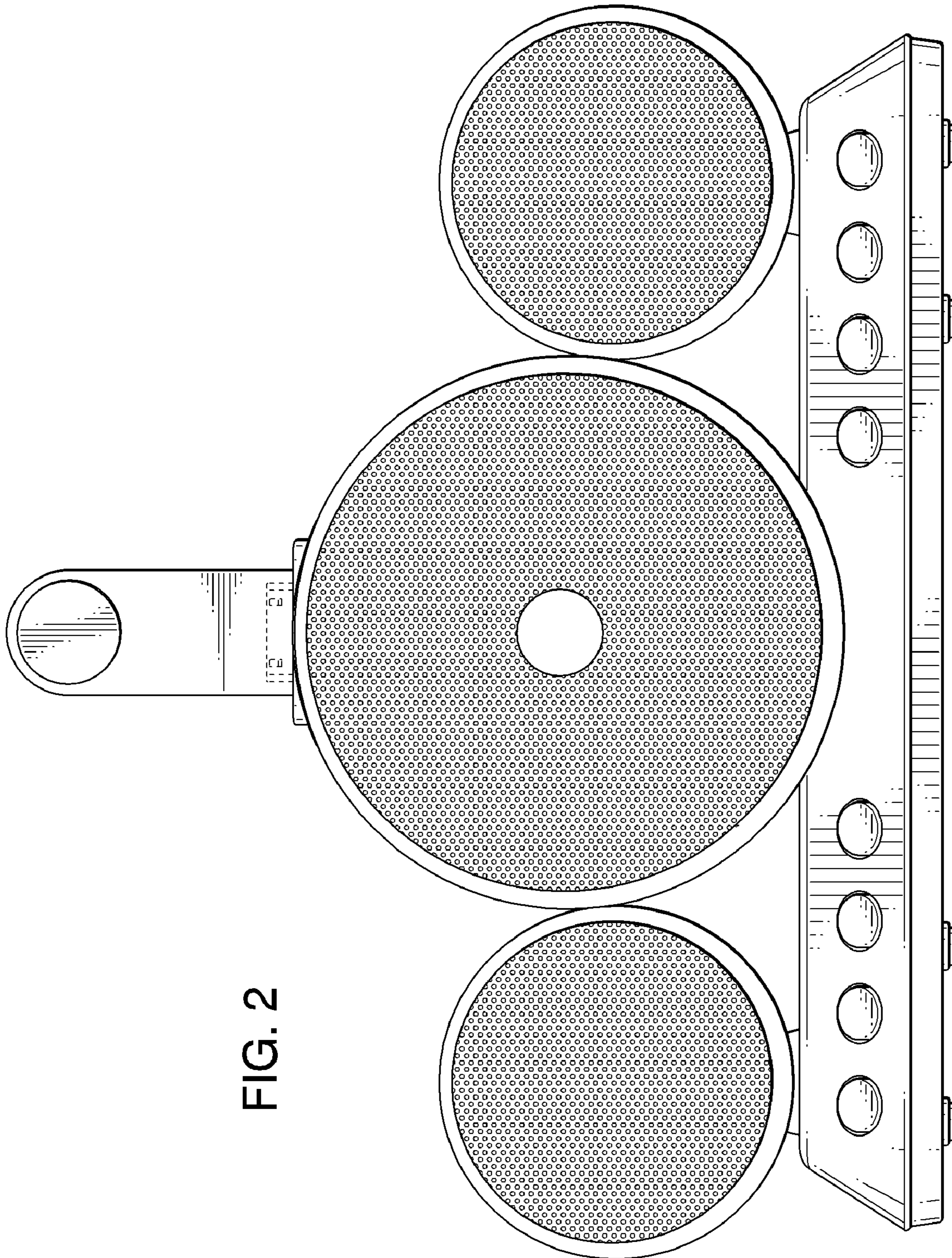


FIG. 2

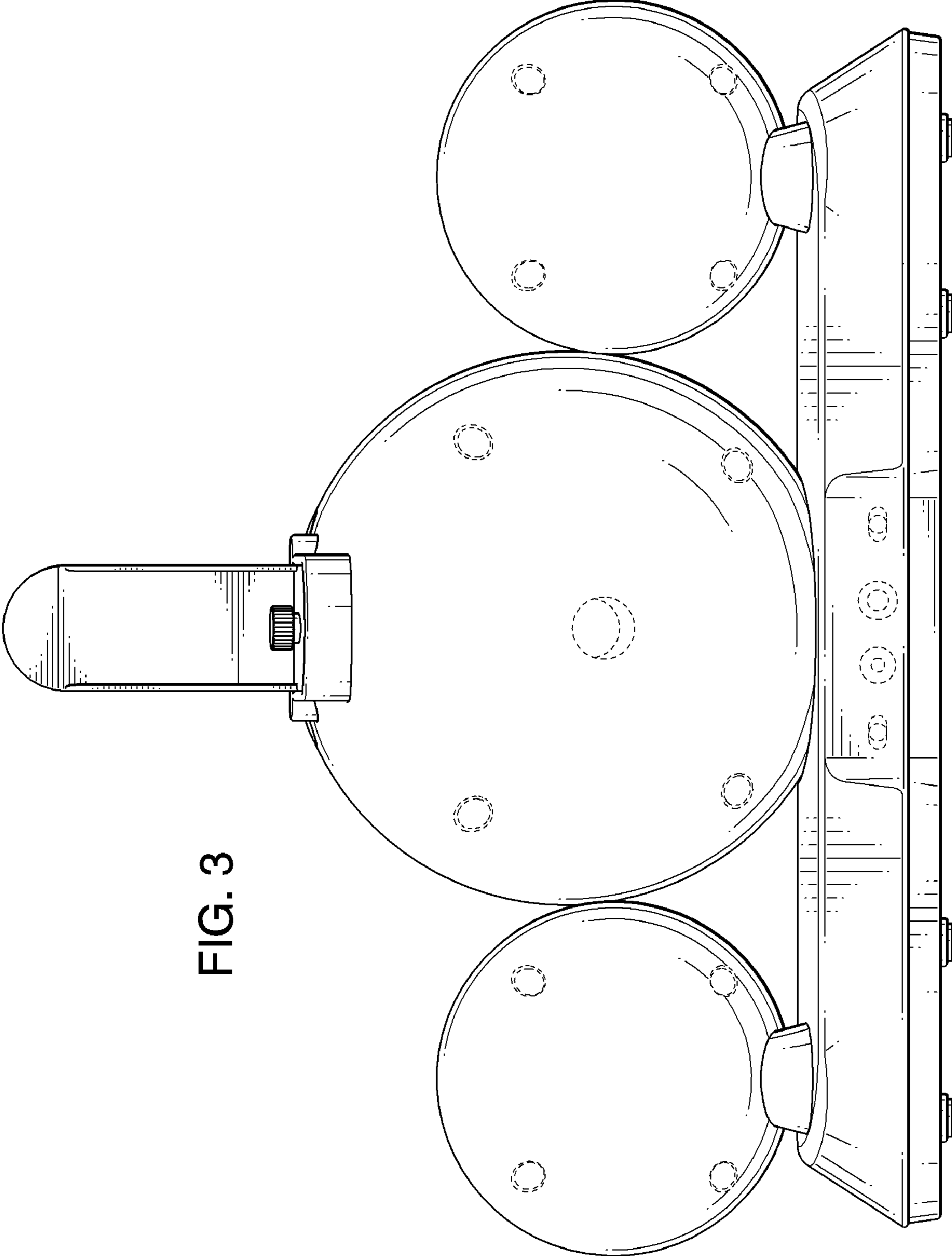


FIG. 3

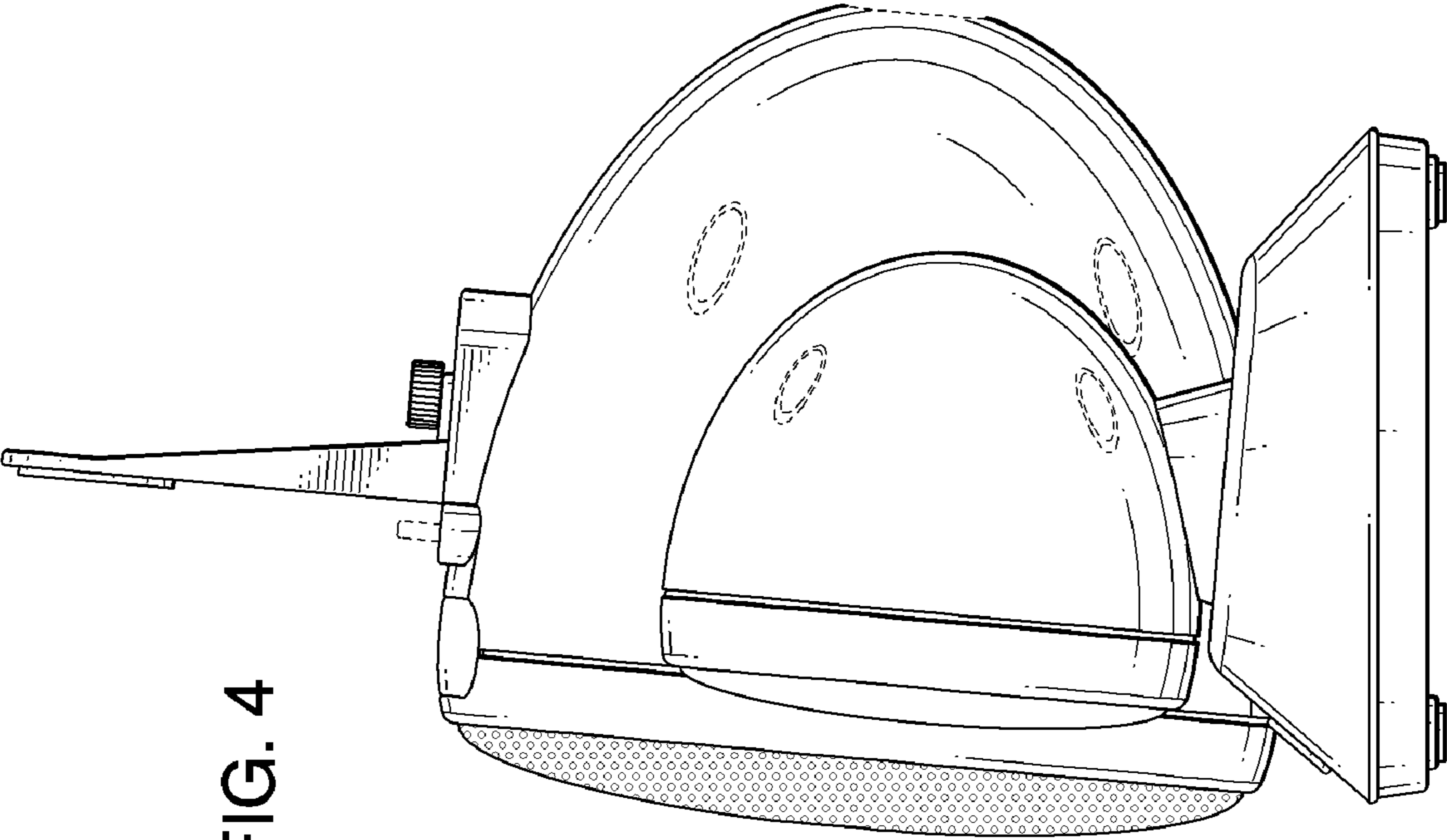


FIG. 4

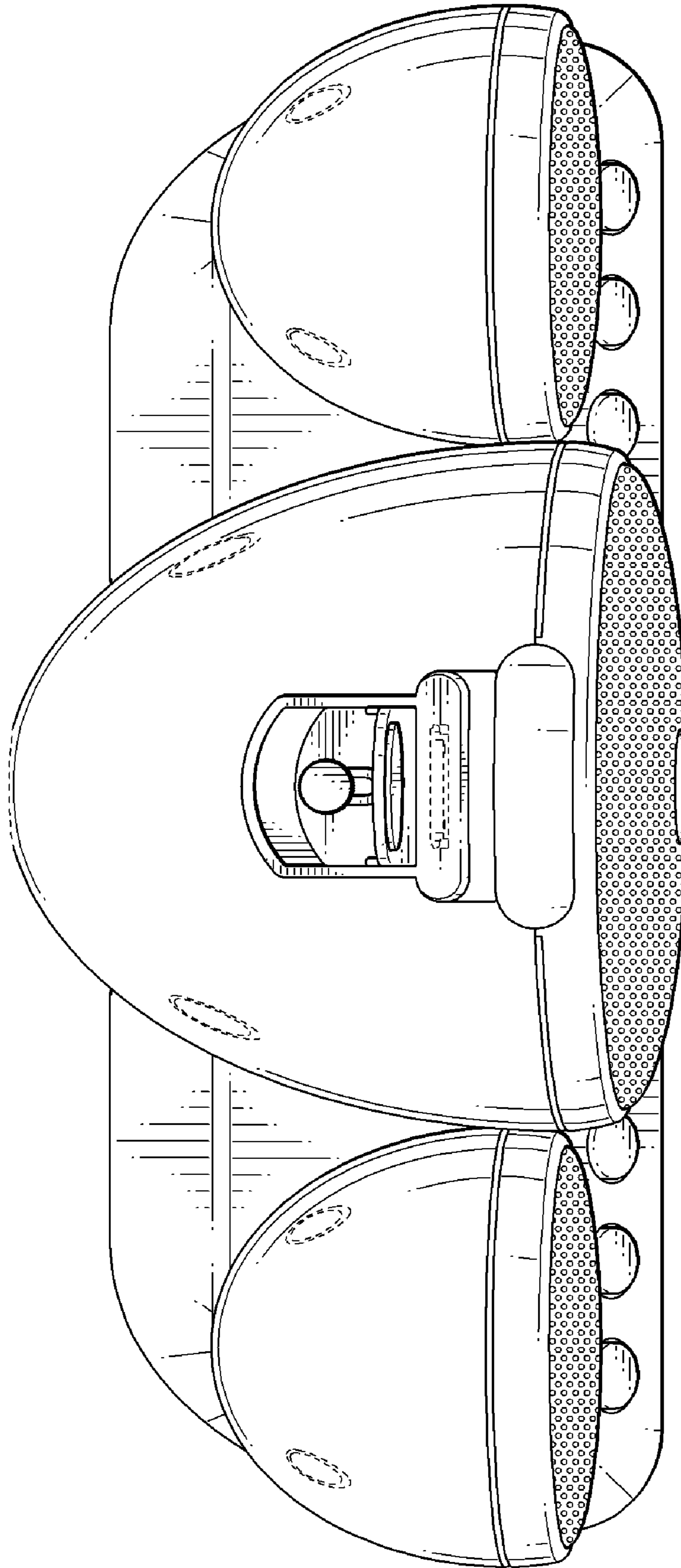


FIG. 5

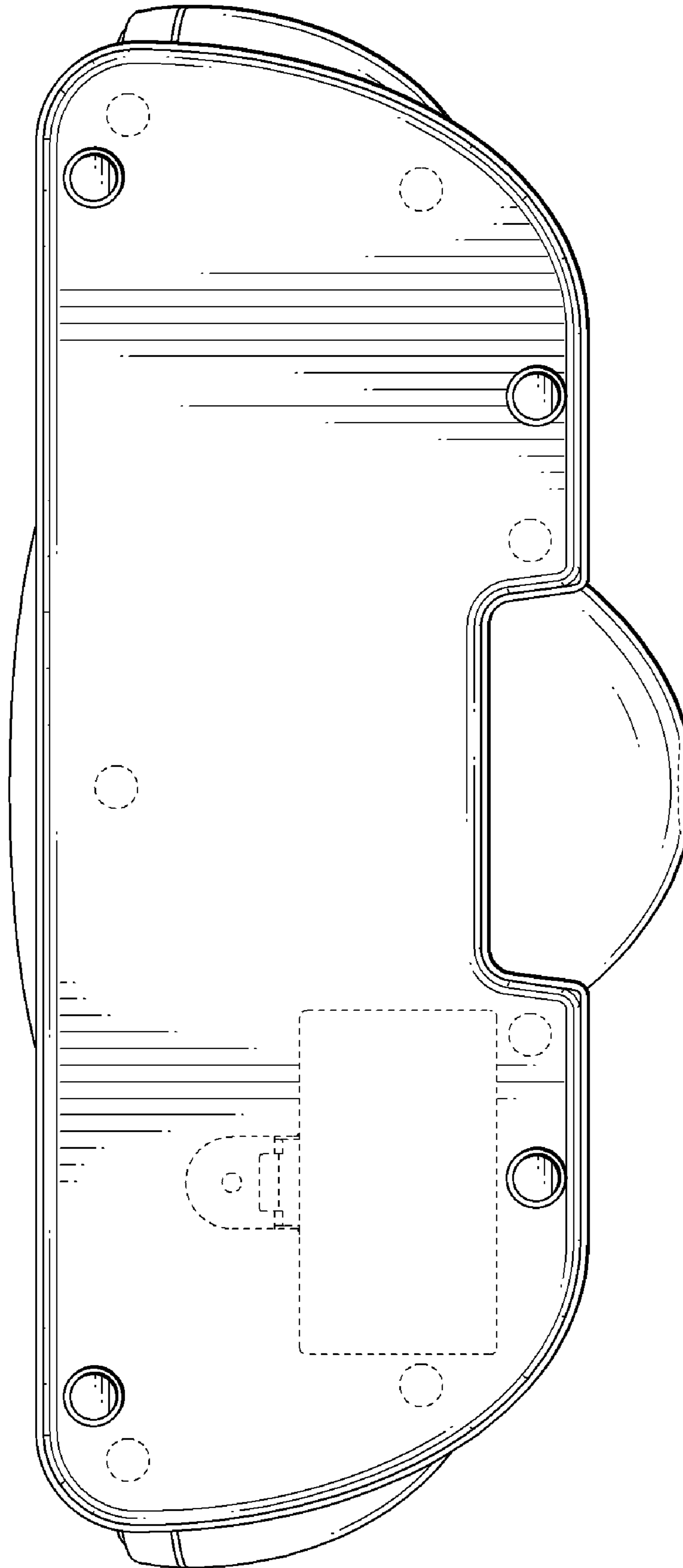


FIG. 6