

US00D597525S

(12) **United States Design Patent**
Jha

(10) **Patent No.:** **US D597,525 S**
(45) **Date of Patent:** **** Aug. 4, 2009**

(54) **MODULAR ENTERTAINMENT SYSTEM**

JP 2002367491 12/2002
JP 2005292767 6/2005

(75) Inventor: **Hemant Jha**, Los Angeles, CA (US)

(73) Assignees: **Sony Corporation**, Tokyo (JP); **Sony Electronics Inc.**, Park Ridge, NJ (US)

(**) Term: **14 Years**

(21) Appl. No.: **29/250,432**

(22) Filed: **Nov. 14, 2006**

(51) **LOC (9) Cl.** **14-01**

(52) **U.S. Cl.** **D14/207; D14/168**

(58) **Field of Classification Search** D14/496,
D14/498, 204, 207, 209, 209.1, 210–217,
D14/167–168, 189, 1; 181/147–148, 150–153,
181/157, 198–199; 369/75.11, 75.21, 77.11,
369/77.21; 345/1.2, 2.1; 455/344, 347–351;
381/300–303, 306, 322–333, 336, 345, 361–364,
381/386–388; D11/131, 139, 141, 155, 164

See application file for complete search history.

(56) **References Cited**

U.S. PATENT DOCUMENTS

D359,492 S * 6/1995 Dyas D14/214
D360,637 S * 7/1995 Arie D14/214
5,898,650 A 4/1999 Porsbo et al.
6,154,201 A 11/2000 Levin et al.
6,236,398 B1 5/2001 Kojima et al.
D477,829 S * 7/2003 Hussaini et al. D14/496
D477,830 S * 7/2003 Hussaini et al. D14/496
6,710,754 B2 * 3/2004 Hanson et al. 345/2.1
D516,082 S 2/2006 Lewis
7,095,867 B2 * 8/2006 Schul et al. 381/386
2004/0100440 A1 5/2004 Levin et al.
2004/0207607 A1 10/2004 Specks et al.
2005/0168435 A1 8/2005 Reed et al.
2006/0184871 A1 8/2006 Waters
2007/0216665 A1 9/2007 Jha et al.
2007/0229215 A1 10/2007 Jha

FOREIGN PATENT DOCUMENTS

EP 1631118 3/2006

OTHER PUBLICATIONS

www.bang-olufsen.com; *Product features and specifications*; Bang & Olufsen; 26 pps.

www.bang-olufsen.com; *BeoCenter2*; 2 pps.

Non Final Office Action from 11559639 mailed Mar. 17, 2009.

iDrive system in the new 7er, www.7-forum.com; 11 pps.

“iPod User’s Guide”, <http://www.apple.com/support/manuals/ipod/>; 2004 *Apple Computer, Inc.*; 64 pps.

“Robert Bosch GmbH”, *Blaupunkt*; <http://www.bosch-presse.de/>; Aug. 2004; 3 pps.

“Smart Architectural Surfaces; Object-Based Media Group”, *MIT Media Laboratory*; Fall/Winter 2005-2006/ 2 pps.; <http://web.media.mit.edu>.

“User’s Manual for the Automated Denture Furnace for Metal Ceramics”, <http://www.tokmet.com/software/D500M%20Manual.pdf>; *Dentamatic 550/Chameleon-M*; 7 pps.

Rivituso. Monica, “Sirius Unveils its Latest Products”, *SmartMoney.com*; Aug. 26, 2005; 2 pps/.

* cited by examiner

Primary Examiner—Nanda Bondade

(74) *Attorney, Agent, or Firm*—Fitch, Even, Tabin & Flannery

(57) **CLAIM**

The ornamental design for a modular entertainment system, substantially as shown and described.

DESCRIPTION

FIG. 1 is a front perspective view of the modular entertainment system showing my new design;

FIG. 2 is a front elevational view thereof;

FIG. 3 is a rear elevational view thereof;

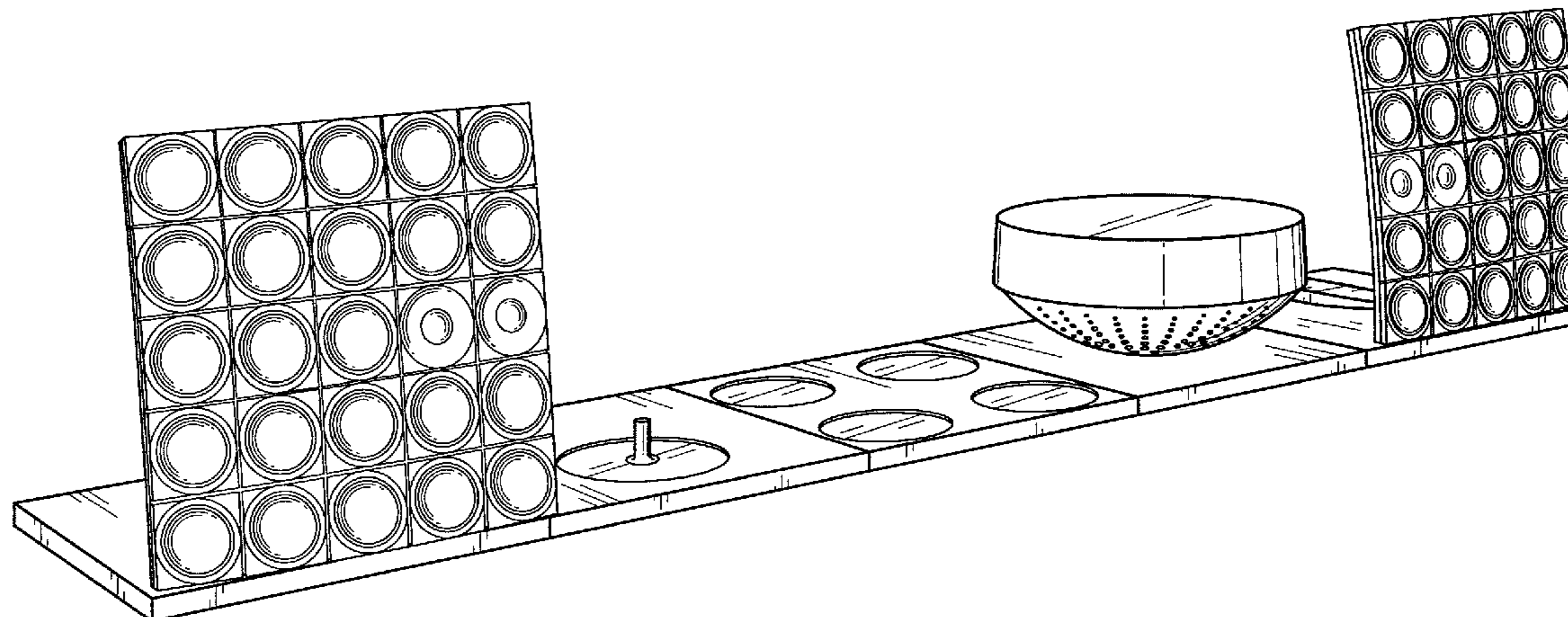
FIG. 4 is a top plan view thereof;

FIG. 5 is a bottom plan view thereof;

FIG. 6 is a left side elevational view thereof; and,

FIG. 7 is a right side elevational view thereof.

1 Claim, 4 Drawing Sheets



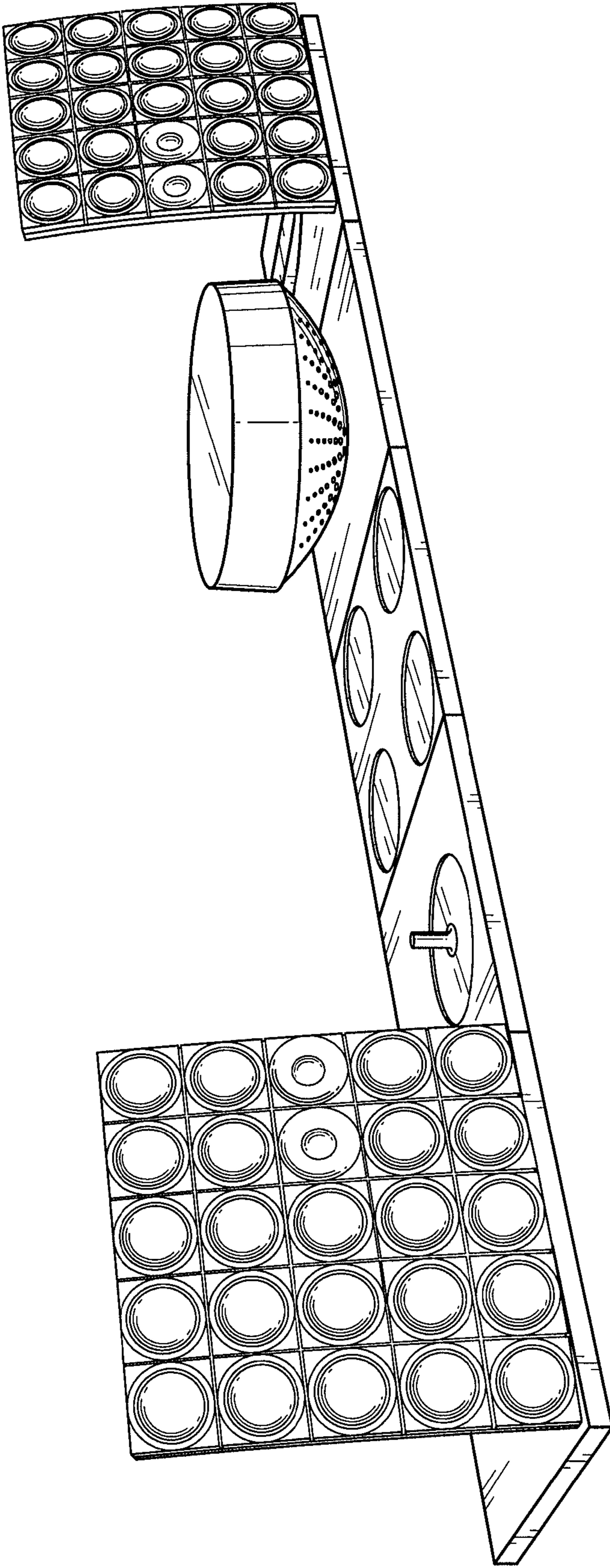


FIG. 1

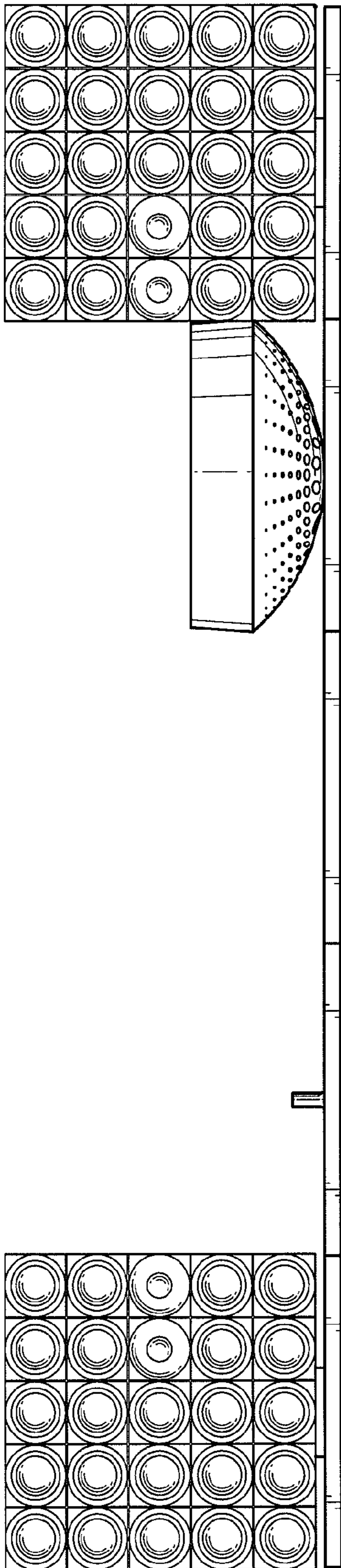


FIG. 2

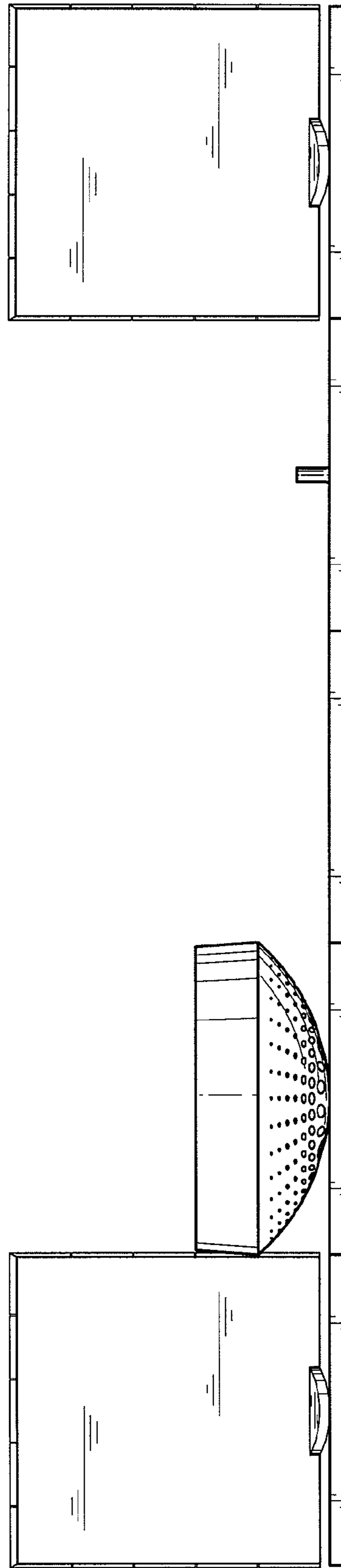


FIG. 3

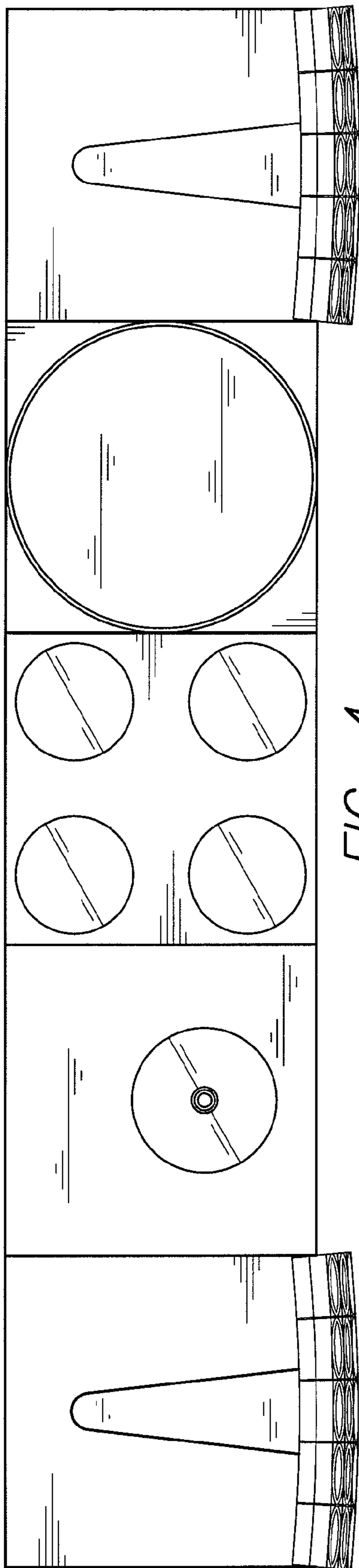


FIG. 4

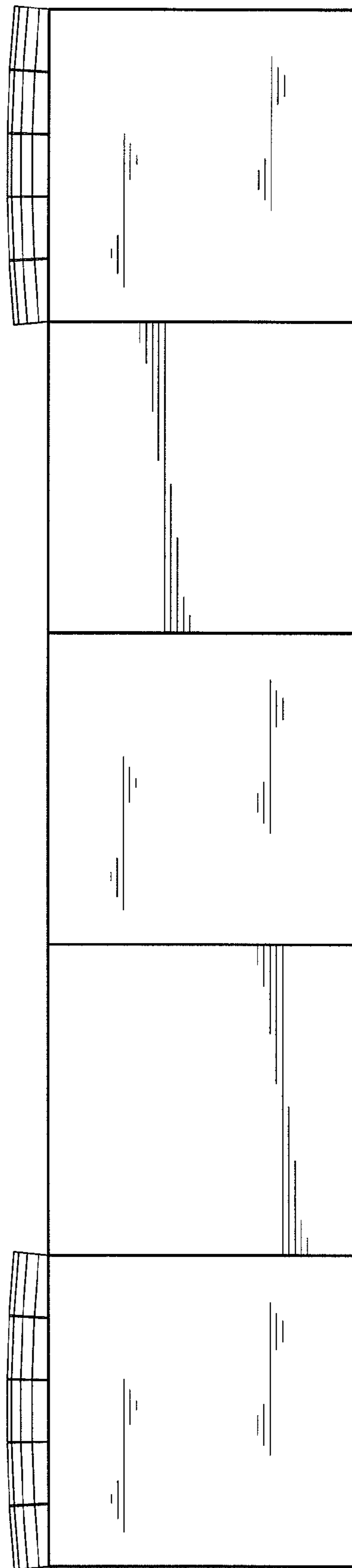


FIG. 5

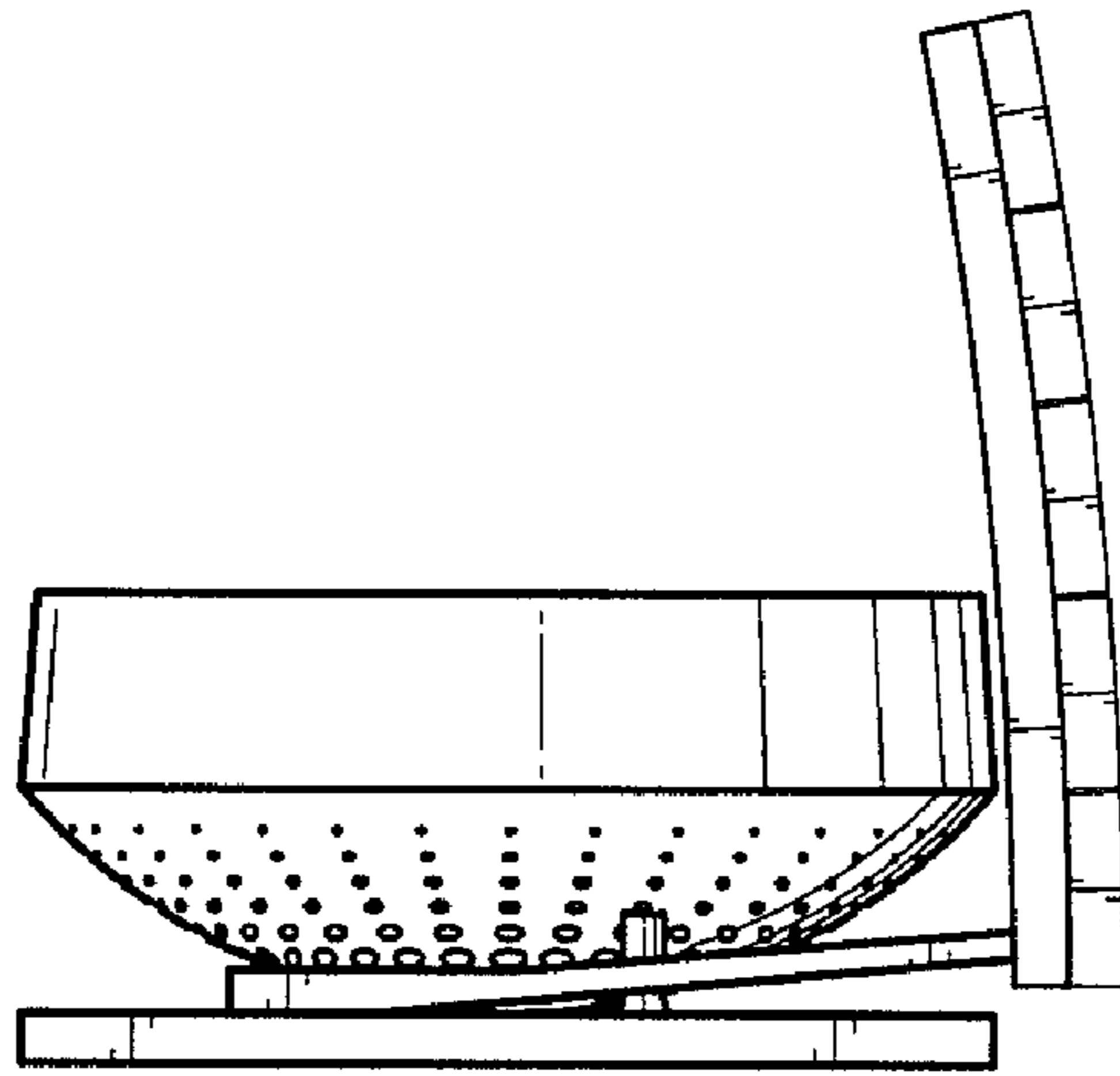


FIG. 6

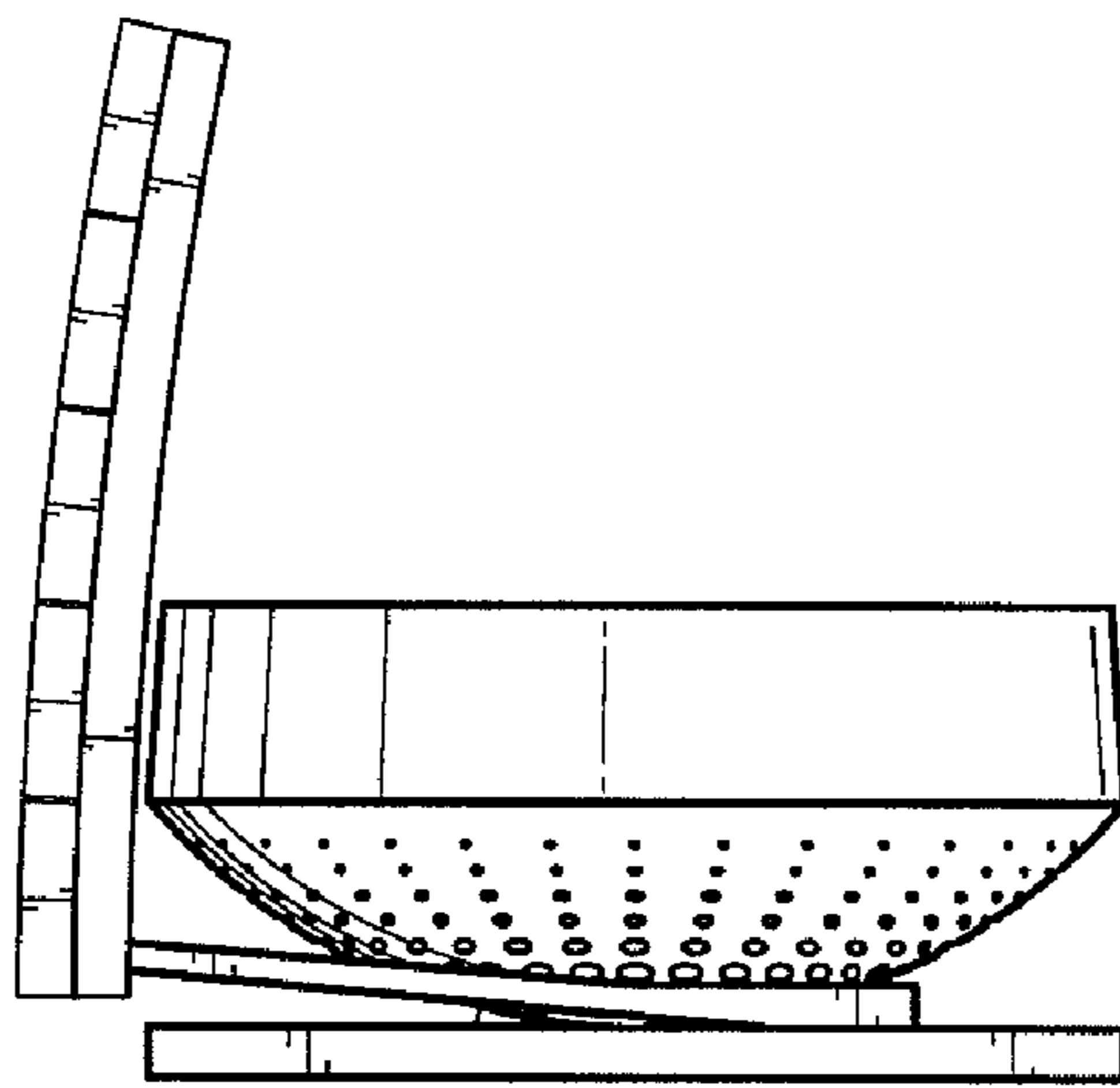


FIG. 7