



US00D597521S

(12) **United States Design Patent**
Andre et al.

(10) **Patent No.:** **US D597,521 S**
(45) **Date of Patent:** **** Aug. 4, 2009**

(54) **ELECTRONIC DEVICE**

(75) Inventors: **Bartley K. Andre**, Menlo Park, CA (US); **Daniel J. Coster**, San Francisco, CA (US); **Daniele De Iuliis**, San Francisco, CA (US); **Richard P. Howarth**, San Francisco, CA (US); **Jonathan P. Ive**, San Francisco, CA (US); **Steve Jobs**, Palo Alto, CA (US); **Duncan Robert Kerr**, San Francisco, CA (US); **Shin Nishibori**, San Francisco, CA (US); **Matthew Dean Rohrbach**, San Francisco, CA (US); **Peter Russell-Clarke**, San Francisco, CA (US); **Douglas B. Satzger**, Menlo Park, CA (US); **Calvin Q. Seid**, Palo Alto, CA (US); **Vincent Keane Seid**, legal representative, Los Gatos, CA (US); **Christopher J. Stringer**, Portola Valley, CA (US); **Eugene Antony Whang**, San Francisco, CA (US); **Rico Zorkendorfer**, San Francisco, CA (US)

(73) Assignee: **Apple Inc.**, Cupertino, CA (US)

(**) Term: **14 Years**

(21) Appl. No.: **29/284,186**

(22) Filed: **Aug. 31, 2007**

(51) **LOC (9) Cl.** **14-03**

(52) **U.S. Cl.** **D14/203.7; D14/203.3; D14/496**

(58) **Field of Classification Search** **D14/496, D14/401, 435, 474, 483, 217, 137, 138, 160, D14/168, 356, 203.1-203.8, 507; 345/156, 345/169, 173-179, 905; 715/727-729, 864; 710/1, 5, 8; 713/1, 600; 455/1.1, 1.7, 73, 455/344-347, 93, 95, 3.01-3.06, 550.1, 573.1; 370/342-344; 369/1, 2, 6-12; 463/43-47; 273/148 B**

See application file for complete search history.

(56) **References Cited**

U.S. PATENT DOCUMENTS

D425,885 S	5/2000	Amron	
D469,109 S	1/2003	Jobs et al.	
D472,245 S	3/2003	Andre et al.	
6,591,085 B1	7/2003	Grady	
6,593,914 B1 *	7/2003	Nuovo et al.	345/169
D489,052 S	4/2004	Shiraki et al.	

FOREIGN PATENT DOCUMENTS

CN	3260632D	10/2002
----	----------	---------

(Continued)

OTHER PUBLICATIONS

“Microsoft Launches the Zune!”, Engadget.com (on line) (c) 2006, retrieved on Mar. 28, 2008, URL: <http://www.engadget.com/2006/09/14/microsoft-launches-the-zune/>, 7 pages.

Primary Examiner—Prabhakar Deshmukh
(74) *Attorney, Agent, or Firm*—Sterne, Kessler, Goldstein & Fox P.L.L.C.

(57) **CLAIM**

The ornamental design for an electronic device, substantially as shown and described.

DESCRIPTION

FIG. 1 is a front perspective view of an electronic device showing our new design;

FIG. 2 is a rear perspective thereof;

FIG. 3 is a front view thereof;

FIG. 4 is a rear view thereof;

FIG. 5 is a left side view thereof;

FIG. 6 is right side view thereof;

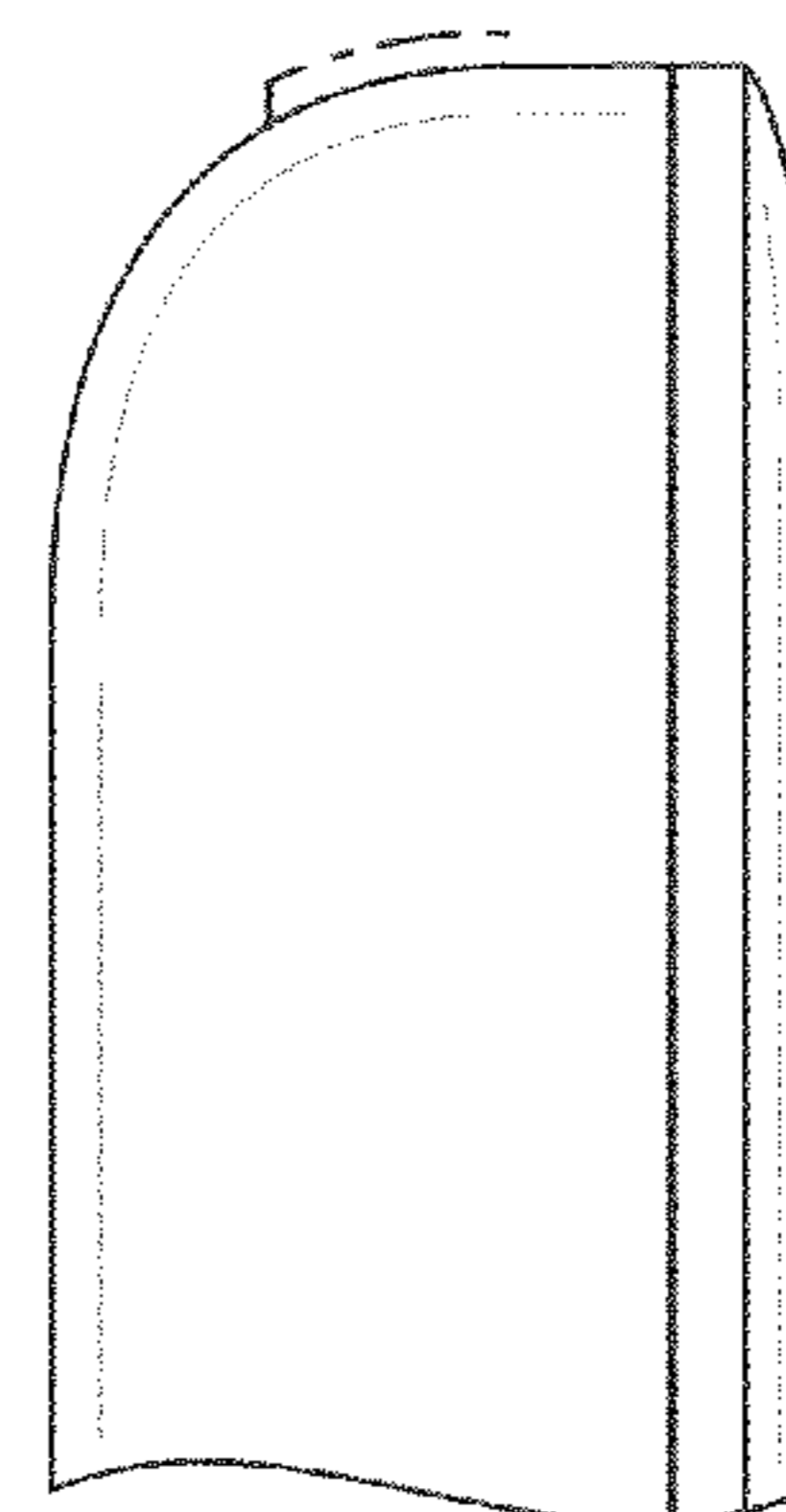
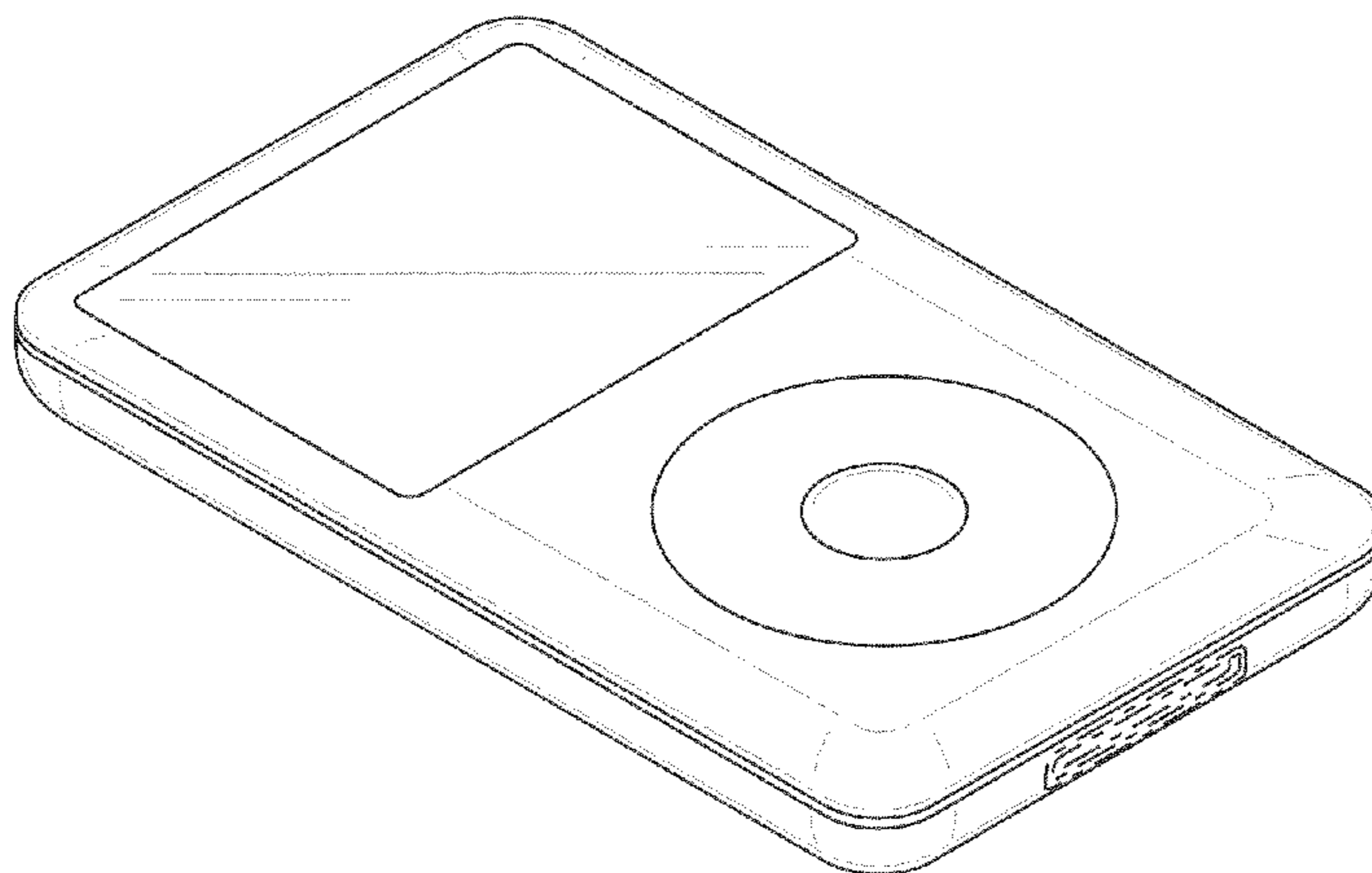
FIG. 7 is a top plan view thereof;

FIG. 8 is a bottom plan view thereof; and,

FIG. 9 is an enlarged elevational view of a representative corner of the electronic device.

The broken lines in the Figures are for illustrative purposes only and form no part of the claimed design.

1 Claim, 6 Drawing Sheets



US D597,521 S

U.S. PATENT DOCUMENTS

			CN	3484184D	11/2005
			CN	3490573D	12/2005
			CN	3490574D	12/2005
D494,188	S	8/2004	Huang		
6,781,523	B2 *	8/2004	Matsui et al.	340/910	
D497,618	S	10/2004	Andre et al.		
D506,476	S	6/2005	Andre et al.		
D507,277	S	7/2005	Sitoh		
D509,833	S	9/2005	Yang		
D513,512	S	1/2006	Tsai		
D514,121	S	1/2006	Johnson		
D515,099	S	2/2006	Lee		
D516,576	S	3/2006	Ive et al.		
D516,579	S	3/2006	Nakamura		
D517,088	S	3/2006	Chong et al.		
D519,523	S	4/2006	Chiu et al.		
D520,020	S	5/2006	Senda et al.		
7,046,230	B2	5/2006	Zadesky et al.		
D538,820	S	3/2007	Andre et al.		
D541,298	S	4/2007	Andre et al.		
D548,744	S	8/2007	Andre et al.		
D548,745	S	8/2007	Andre et al.		
D584,303	S *	1/2009	Andre et al.	D14/341	
D584,740	S *	1/2009	Sheba et al.	D14/496	
D584,742	S *	1/2009	Sheba et al.	D14/496	
D587,280	S *	2/2009	Lee et al.	D14/496	
D589,979	S *	4/2009	Andre et al.	D14/496	
2004/0224638	A1	11/2004	Fadell et al.		

FOREIGN PATENT DOCUMENTS

CN	3260633D	10/2002	CN	3615600D	2/2007
CN	3286007D	4/2003	CN	3615602D	2/2007
CN	3287344D	4/2003	CN	3615603D	2/2007
CN	3331371D	10/2003	CN	3621245D	3/2007
CN	339759D	12/2003	CN	3634314D	4/2007
CN	3375890D	6/2004	CN	3646242D	5/2007
CN	3380859D	7/2004	CN	3660093D	6/2007
CN	3389184D	9/2004	CN	3665655D	7/2007
CN	3453893D	6/2005	CN	200730131203.5	1/2008
CN	3453894D	6/2005	JP	30-0452305	6/2007
CN	3468582D	8/2005	JP	D1312270	10/2007
CN	3468598D	8/2005	JP	D1313431	10/2007
CN	3480659D	10/2005	JP	D1313439	10/2007

* cited by examiner

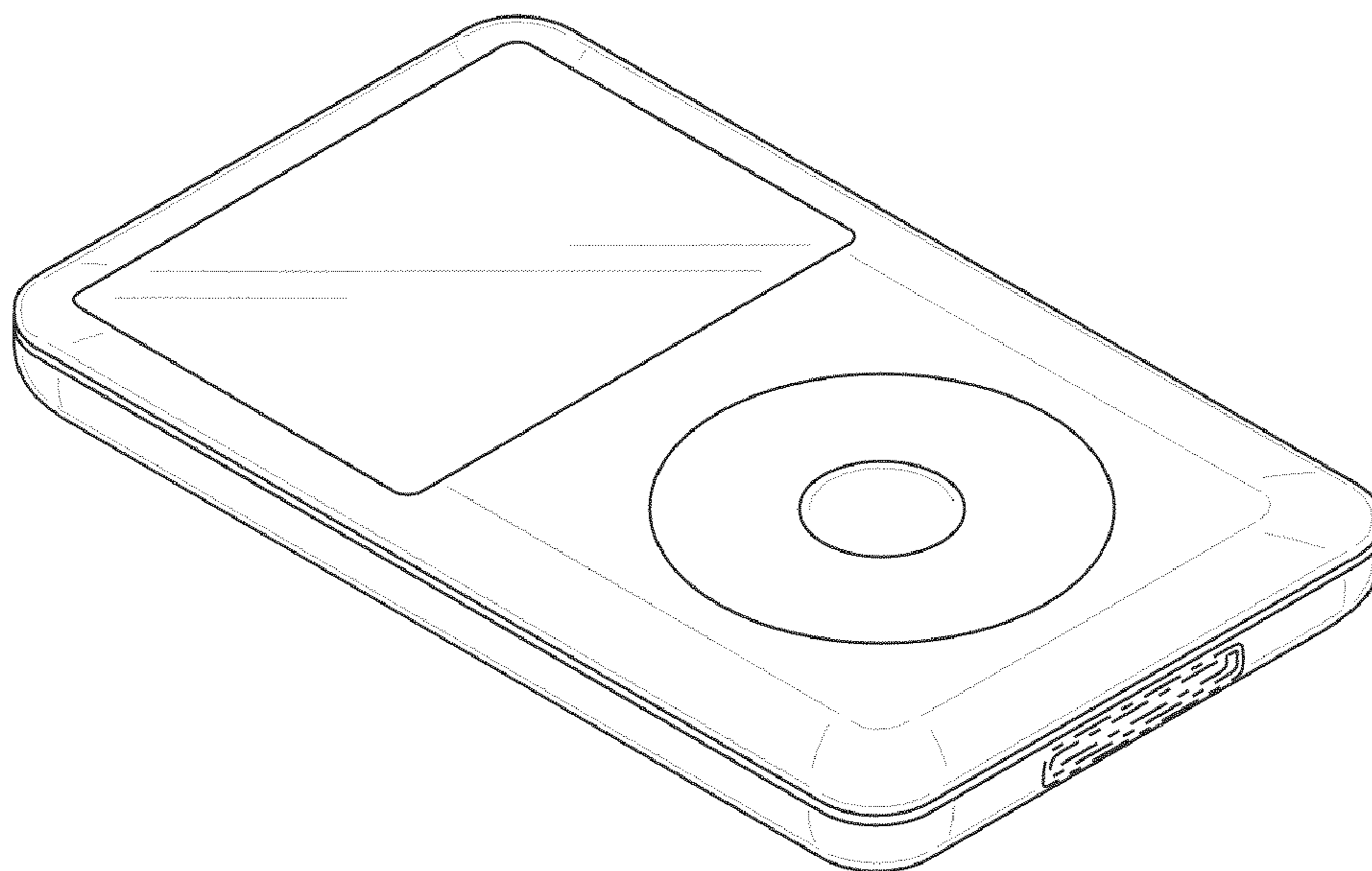


FIG. 1

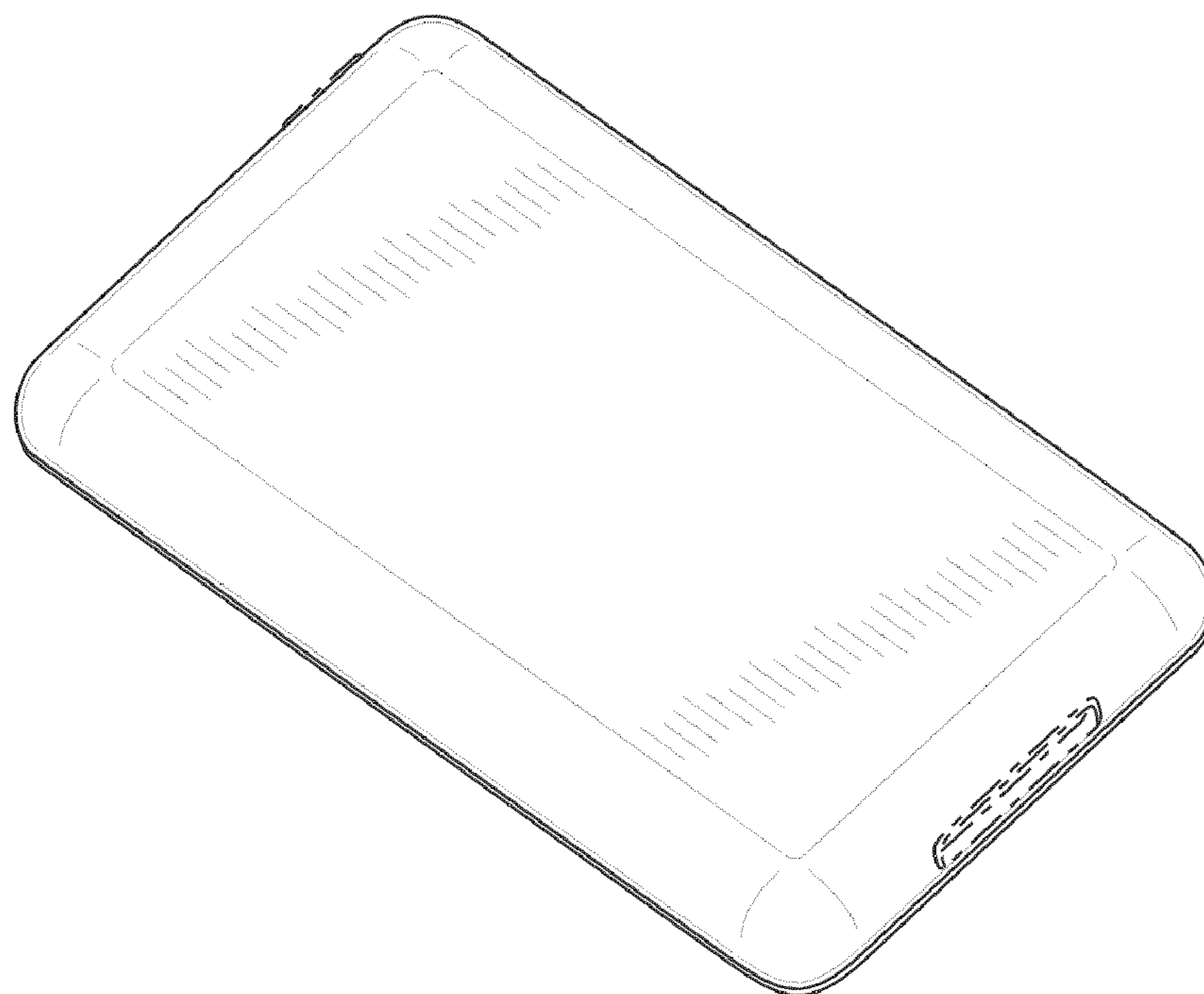


FIG. 2

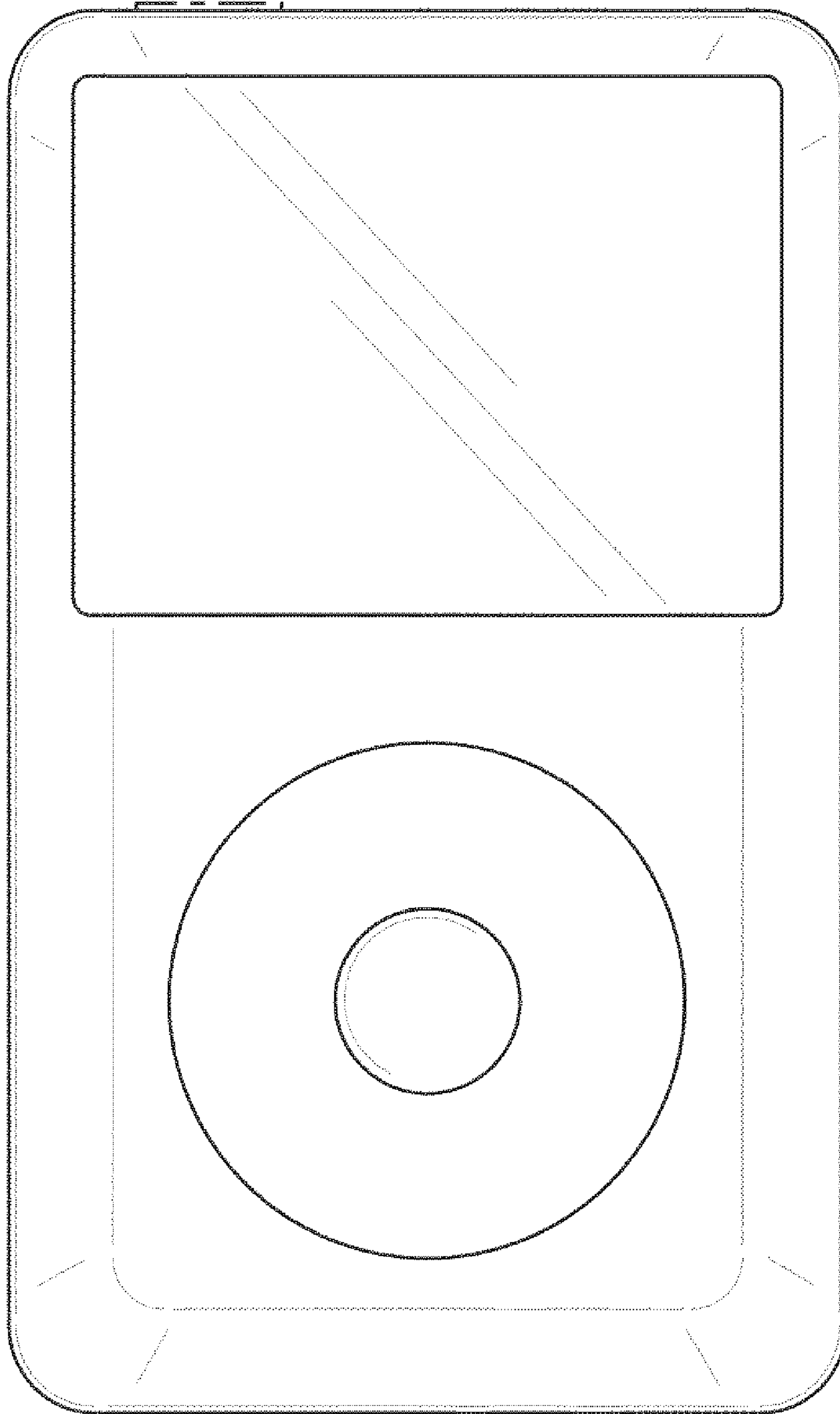


FIG. 3

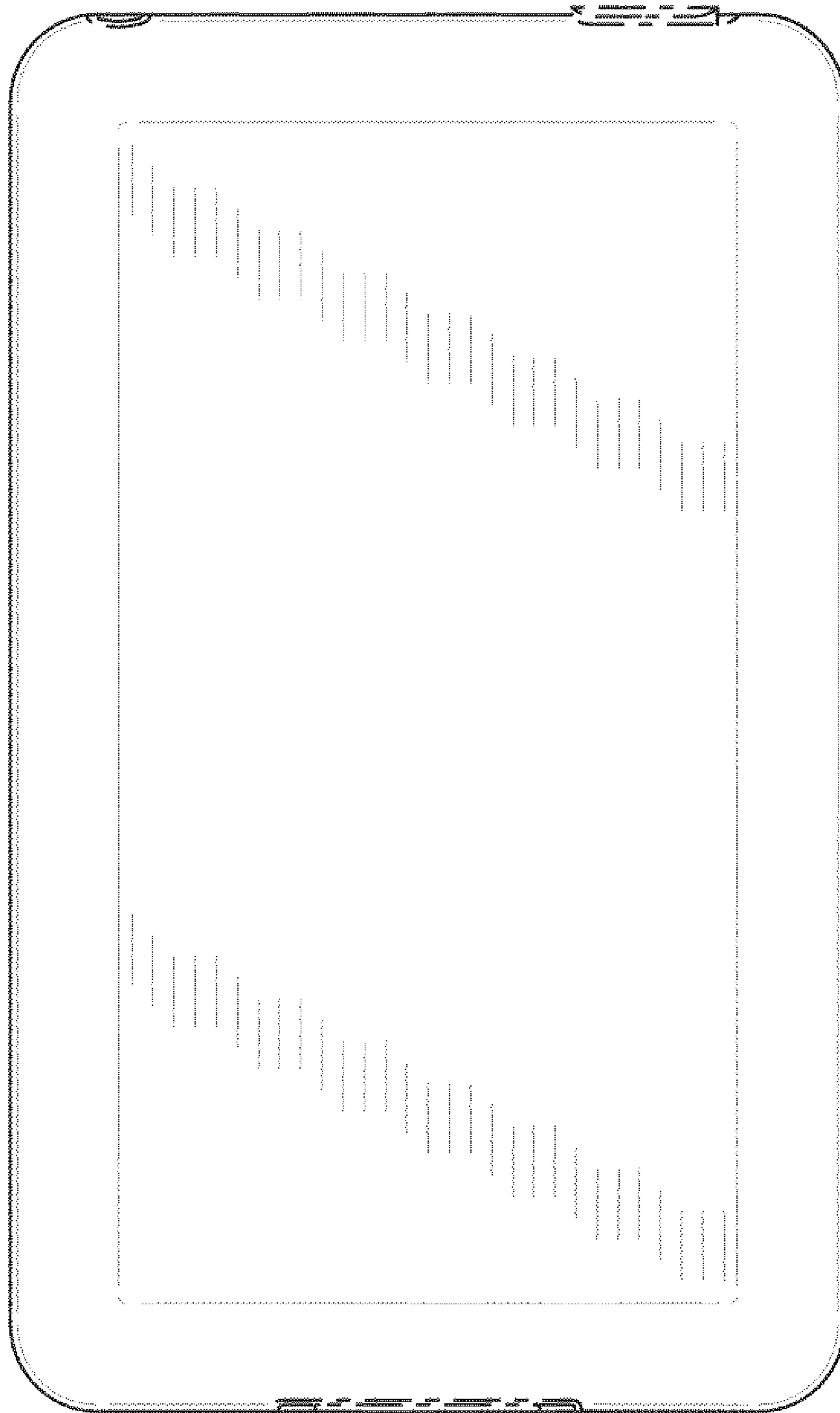


FIG. 4

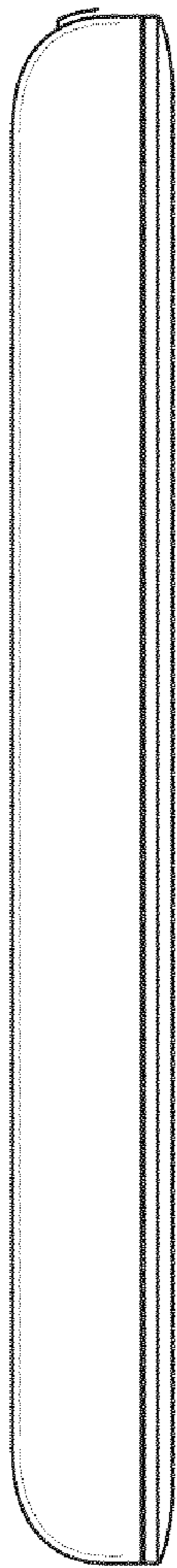


FIG. 5

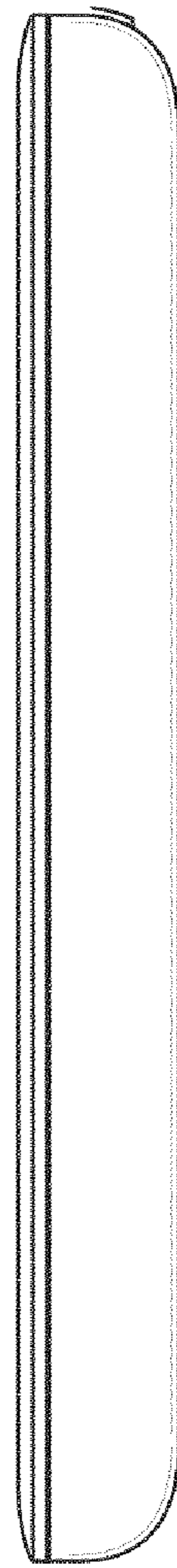


FIG. 6



FIG. 7

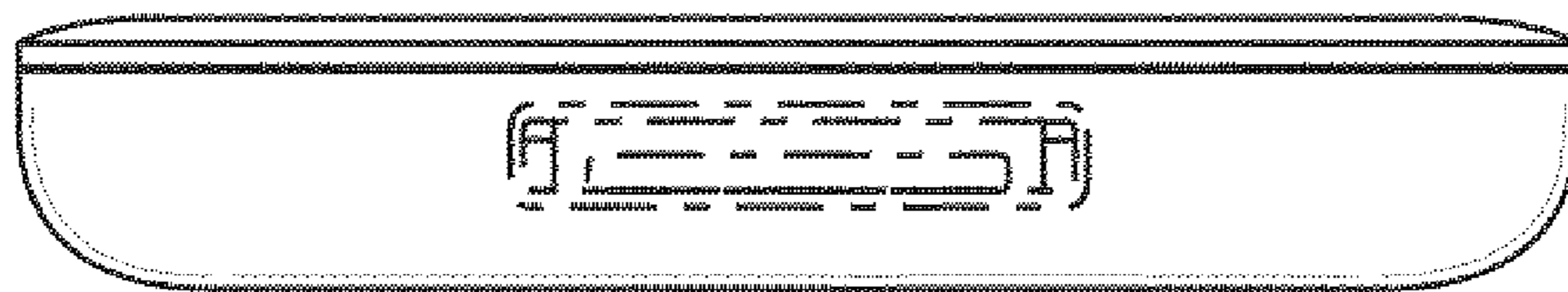


FIG. 8

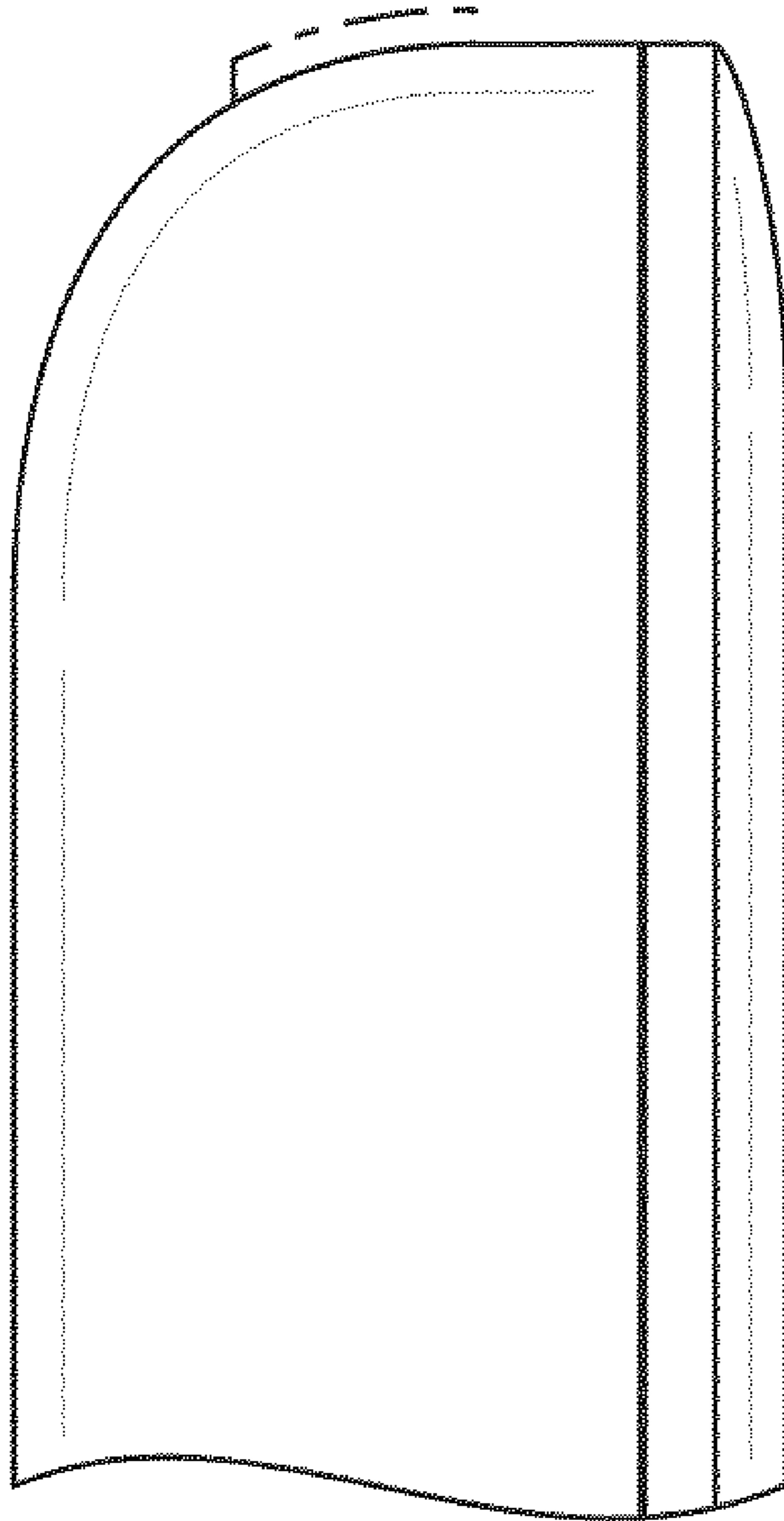


FIG. 9

UNITED STATES PATENT AND TRADEMARK OFFICE
CERTIFICATE OF CORRECTION

PATENT NO. : D597,521 S
APPLICATION NO. : 29/284186
DATED : August 4, 2009
INVENTOR(S) : Andre et al.

Page 1 of 4

It is certified that error appears in the above-identified patent and that said Letters Patent is hereby corrected as shown below:

The title page showing the illustrative figure should be deleted to be replaced with the attached title page.

The drawing sheets, consisting of Figs. 1 and 3, should be deleted to be replaced with the drawing sheets, consisting of Figs. 1 and 3, as shown on the attached pages.

Signed and Sealed this
Eleventh Day of June, 2013



Teresa Stanek Rea
Acting Director of the United States Patent and Trademark Office

(12) **United States Design Patent**
Andre et al.

(10) **Patent No.:** **US D597,521 S**
(45) Date of Patent: **** Aug. 4, 2009**

(54) **ELECTRONIC DEVICE**

(75) Inventors: **Bartley K. Andre**, Menlo Park, CA (US); **Daniel J. Coster**, San Francisco, CA (US); **Daniele De Iulius**, San Francisco, CA (US); **Richard P. Howarth**, San Francisco, CA (US); **Jonathan P. Ive**, San Francisco, CA (US); **Steve Jobs**, Palo Alto, CA (US); **Duncan Robert Kerr**, San Francisco, CA (US); **Shin Nishihori**, San Francisco, CA (US); **Matthew Dean Rohrbach**, San Francisco, CA (US); **Peter Russell-Clarke**, San Francisco, CA (US); **Douglas B. Satzger**, Menlo Park, CA (US); **Calvin Q. Seid**, Palo Alto, CA (US); **Vincent Keane Seid**, legal representative, Los Gatos, CA (US); **Christopher J. Stringer**, Portola Valley, CA (US); **Eugene Antony Whang**, San Francisco, CA (US); **Rico Zorkendorfer**, San Francisco, CA (US)

(73) Assignee: **Apple Inc.**, Cupertino, CA (US)

(7*) Term: **14 Years**

(21) Appl. No.: **29/284,186**

(22) Filed: **Aug. 31, 2007**

(51) **LOC (9) Cl.** **14-03**

(52) **U.S. Cl.** **D14/203.7, D14/203.3, D14/496**

(58) **Field of Classification Search** **D14/496, D14/401, 435, 474, 483, 217, 137, 138, 160, D14/168, 355, 203.1, 203.8, 507, 345/156, 345/169, 173-179, 905, 715/727, 729, 864, 710/1, 5, 8; 713/1, 600; 455/1.1, 1.7, 73, 455/344, 347, 93, 95, 3.01, 3.06, 550.1, 573.1; 370/342, 344, 369/1, 2, 6, 12; 463/43, 47; 273/148-13**

See application file for complete search history

(56) **References Cited**

U.S. PATENT DOCUMENTS

D4,25,885 S	5/2000	Amgen	
D469,139 S	1/2003	Jobs et al.	
D472,245 S	3/2003	Andre et al.	
6,591,085 B1	7/2003	Grady	
6,593,914 B1 *	7/2003	Narayo et al.	345-109
D489,052 S	4/2004	Shirak et al.	

FOREIGN PATENT DOCUMENTS

CN	3260632D	10/2002	
----	----------	---------	--

(Continued)

OTHER PUBLICATIONS

"Microsoft Launches the Zune"; Engadget.com (on line) (c) 2006, retrieved on Mar. 28, 2008, URL: <http://www.engadget.com/2006/09/14/microsoft-launches-the-zune/> 7 pages

Primary Examiner: Prabhakar Deshmukh;
 (74) *Attorney, Agent, or Firm*: Sterne, Kessler, Goldstein & Fox P.L.L.C.

(57) **CLAIM**

The ornamental design for an electronic device, substantially as shown and described.

DESCRIPTION

FIG. 1 is a front perspective view of an electronic device showing our new design;

FIG. 2 is a rear perspective thereof;

FIG. 3 is a front view thereof;

FIG. 4 is a rear view thereof;

FIG. 5 is a left side view thereof;

FIG. 6 is right side view thereof;

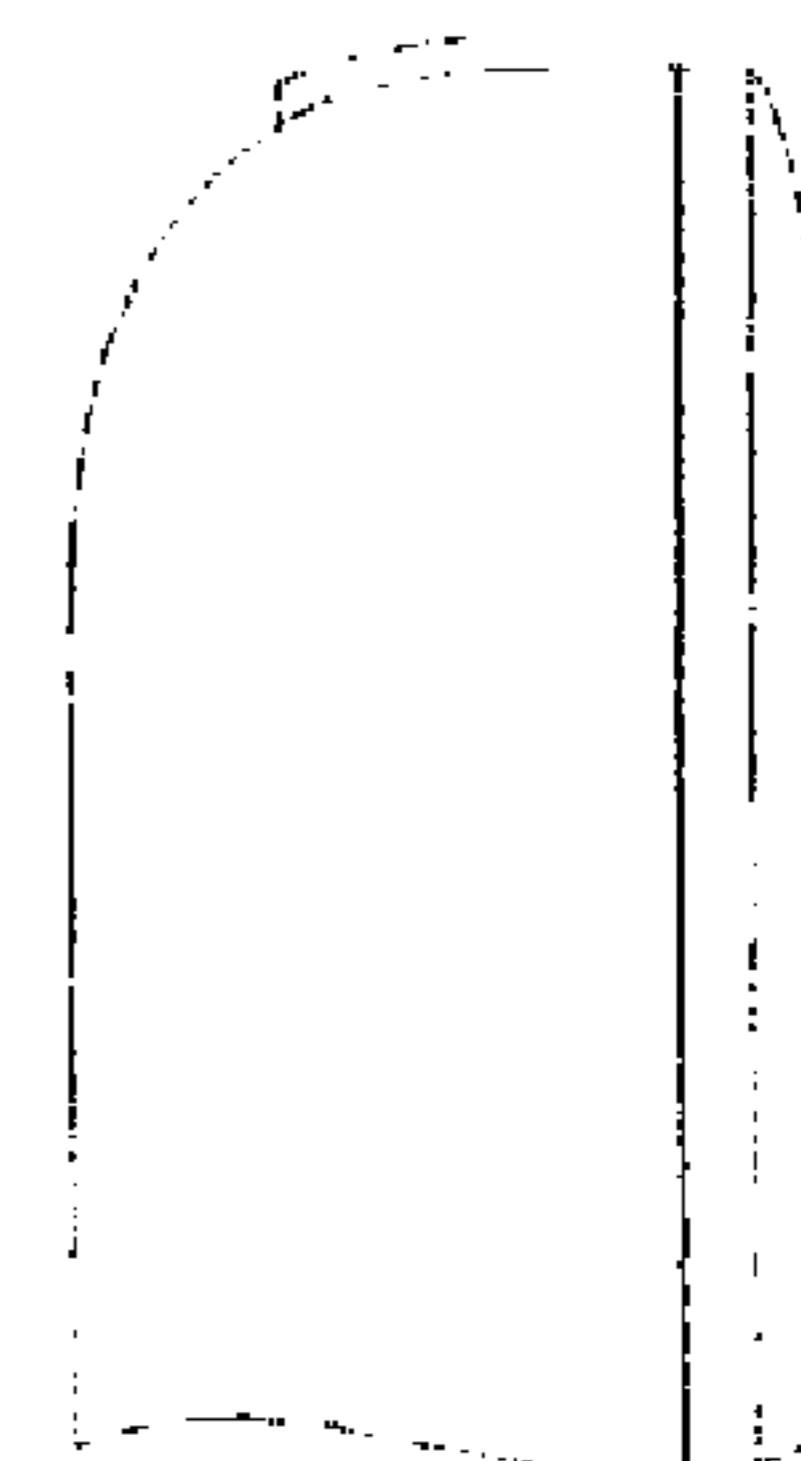
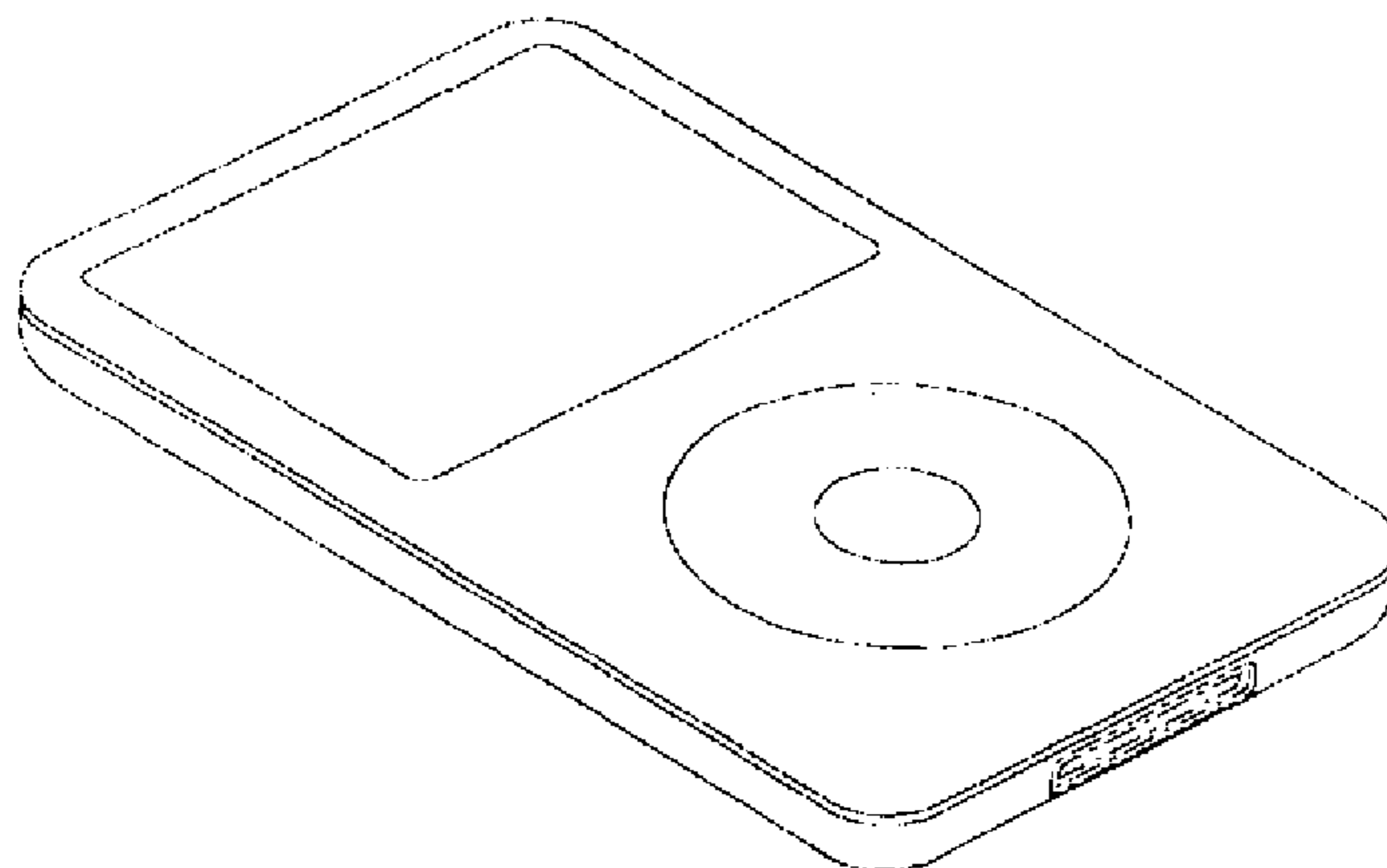
FIG. 7 is a top plan view thereof;

FIG. 8 is a bottom plan view thereof, and;

FIG. 9 is an enlarged elevational view of a representative corner of the electronic device.

The broken lines in the Figures are for illustrative purposes only and form no part of the claimed design.

1 Claim, 6 Drawing Sheets



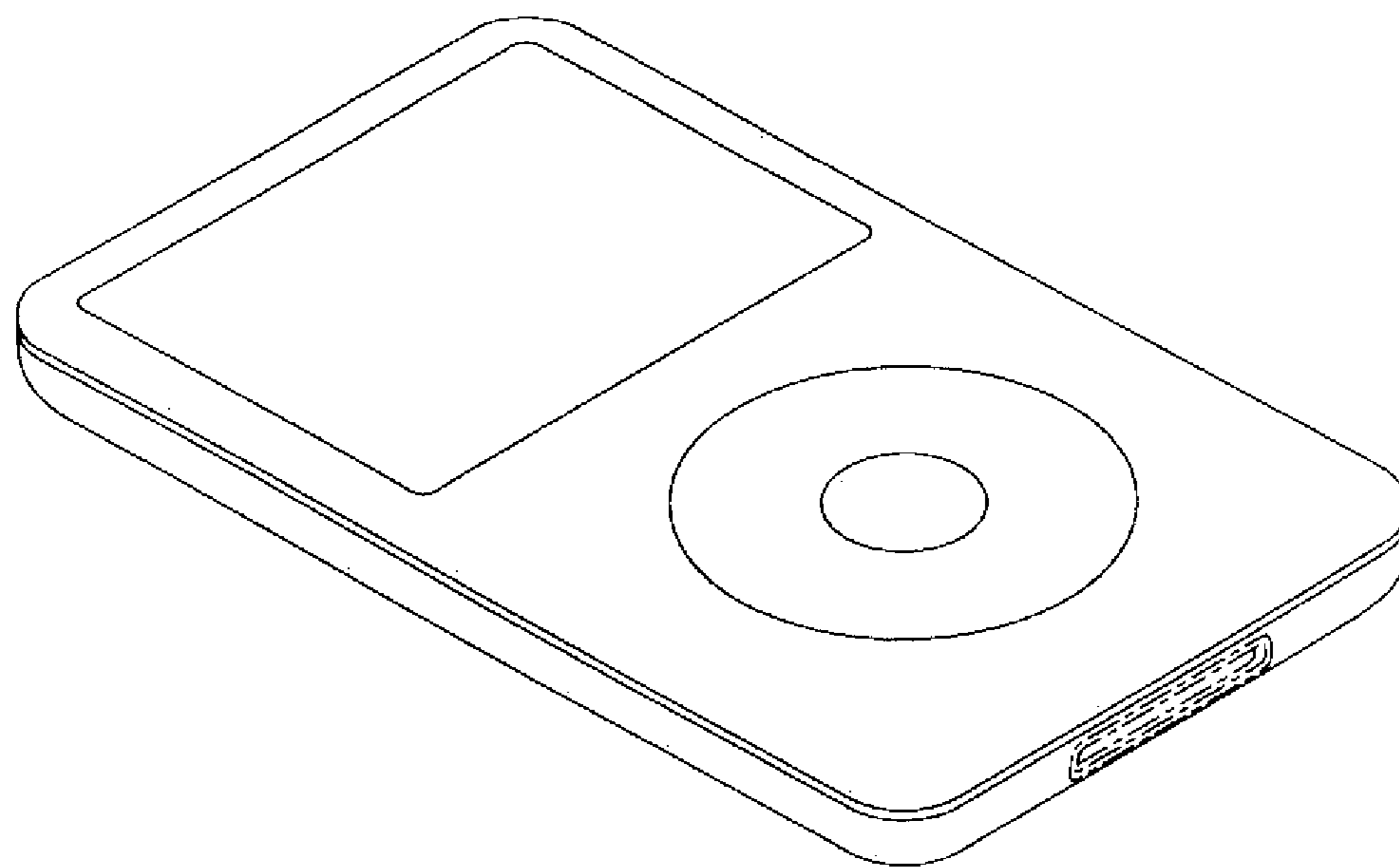


FIG. 1

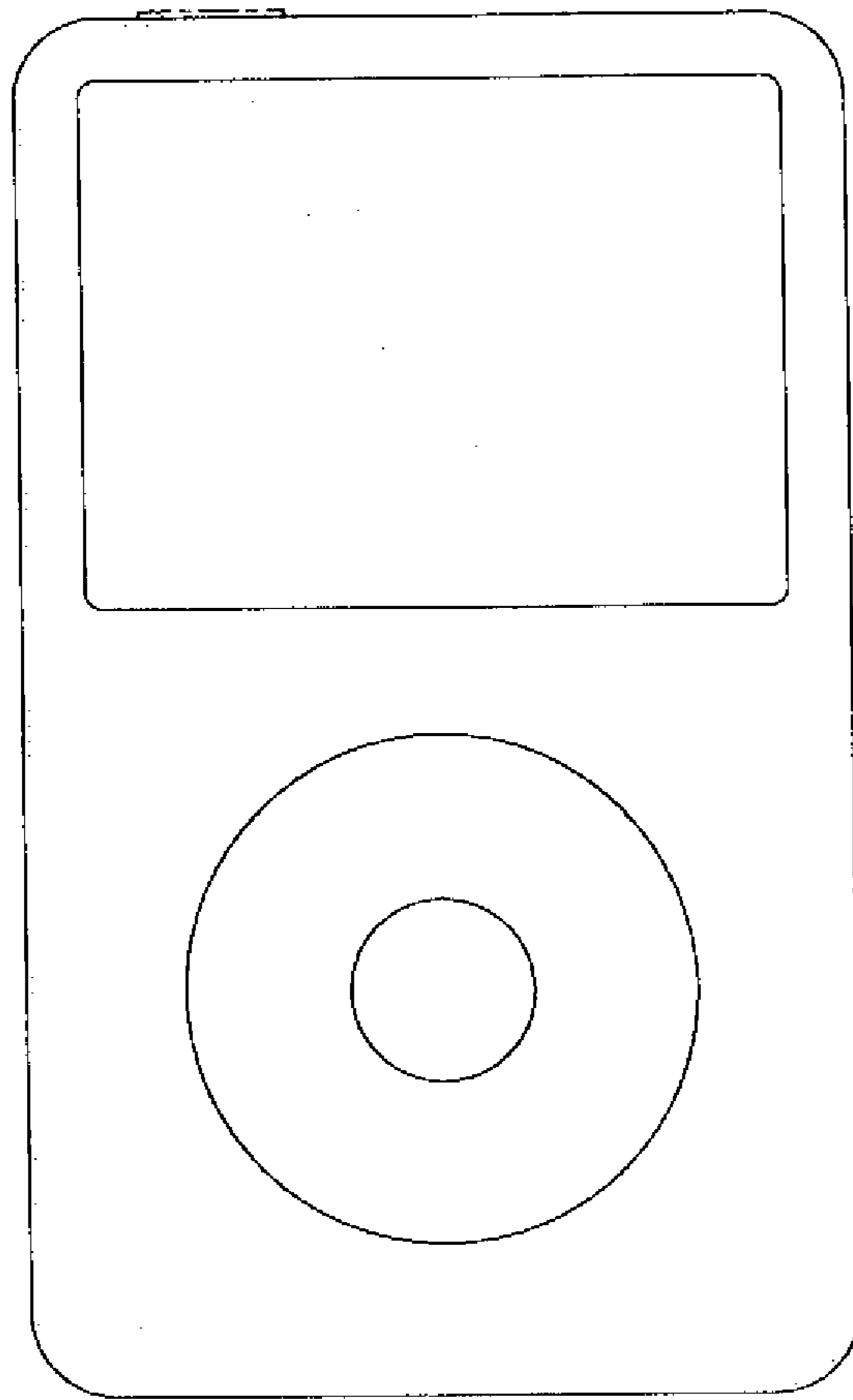


FIG. 3

UNITED STATES PATENT AND TRADEMARK OFFICE
CERTIFICATE OF CORRECTION

PATENT NO. : D597,521 S
APPLICATION NO. : 29/284186
DATED : August 4, 2009
INVENTOR(S) : Andre et al.

Page 1 of 4

It is certified that error appears in the above-identified patent and that said Letters Patent is hereby corrected as shown below:

The title page showing the illustrative figure should be deleted to be replaced with the attached title page.

The drawing sheets, consisting of Figs. 1 and 3, should be deleted to be replaced with the drawing sheets, consisting of Figs. 1 and 3, as shown on the attached pages.

This certificate supersedes the Certificate of Correction issued June 11, 2013.

Signed and Sealed this
Eighth Day of October, 2013



Teresa Stanek Rea
Deputy Director of the United States Patent and Trademark Office

(12) **United States Design Patent** (10) **Patent No.:** **US D597,521 S**
Andre et al. (45) **Date of Patent:** **** Aug. 4, 2009**

(54) **ELECTRONIC DEVICE**

(75) Inventors: **Bartley K. Andre**, Menlo Park, CA (US); **Daniel J. Coster**, San Francisco, CA (US); **Daniele De Iulio**, San Francisco, CA (US); **Richard P. Howarth**, San Francisco, CA (US); **Jonathan P. Ive**, San Francisco, CA (US); **Steve Jobs**, Palo Alto, CA (US); **Duncan Robert Kerr**, San Francisco, CA (US); **Shin Nishibori**, San Francisco, CA (US); **Matthew Dean Rohrbach**, San Francisco, CA (US); **Peter Russell-Clarke**, San Francisco, CA (US); **Douglas B. Satzger**, Menlo Park, CA (US); **Calvin Q. Seid**, Palo Alto, CA (US); **Vincent Keane Seid**, legal representative, Los Gatos, CA (US); **Christopher J. Stringer**, Portola Valley, CA (US); **Eugene Antony Whang**, San Francisco, CA (US); **Rico Zorkendorfer**, San Francisco, CA (US)

(73) Assignee: **Apple Inc.**, Cupertino, CA (US)

(**) Term: **14 Years**

(21) Appl. No.: **29/284,186**

(22) Filed: **Aug. 31, 2007**

(51) **LOC (9) Cl.** **14-03**

(52) **U.S. Cl.** **D14/203.7; D14/203.3; D14/496**

(58) **Field of Classification Search** **D14/496, D14/401, 435, 474, 483, 217, 137, 138, 160, D14/168, 356, 203.1-203.8, 507; 345/156, 345/169, 173-179, 905; 715/727-729, 864; 710/1, 5, 8; 713/1, 600; 455/1.1, 1.7, 73, 455/344-347, 93, 95, 3.01-3.06, 550.1, 573.1; 370/342-344; 369/1, 2, 6-12; 463/43-47; 273/148 B**

See application file for complete search history.

(56) **References Cited**

U.S. PATENT DOCUMENTS

D425,885 S	5/2000	Amrzn	
D469,109 S	1/2003	Jobs et al.	
D472,245 S	3/2003	Andre et al.	
6,591,085 B1	7/2003	Grady	
6,593,914 B1 *	7/2003	Nuovo et al.	345/169
D489,052 S	4/2004	Shiraki et al.	

FOREIGN PATENT DOCUMENTS

CN	3260632D	10/2002
----	----------	---------

(Continued)

OTHER PUBLICATIONS

"Microsoft Launches the Zune!". Engadget.com (on line) (c) 2006, retrieved on Mar. 28, 2008, URL: <http://www.engadget.com/2006/09/14/microsoft-launches-the-zune/>, 7 pages.

Primary Examiner—Prabhakar Deshmukh
(74) Attorney, Agent, or Firm—Sterne, Kessler, Goldstein & Fox P.L.L.C.

(57) **CLAIM**

The ornamental design for an electronic device, substantially as shown and described.

DESCRIPTION

FIG. 1 is a front perspective view of an electronic device showing our new design;

FIG. 2 is a rear perspective thereof;

FIG. 3 is a front view thereof;

FIG. 4 is a rear view thereof;

FIG. 5 is a left side view thereof;

FIG. 6 is right side view thereof;

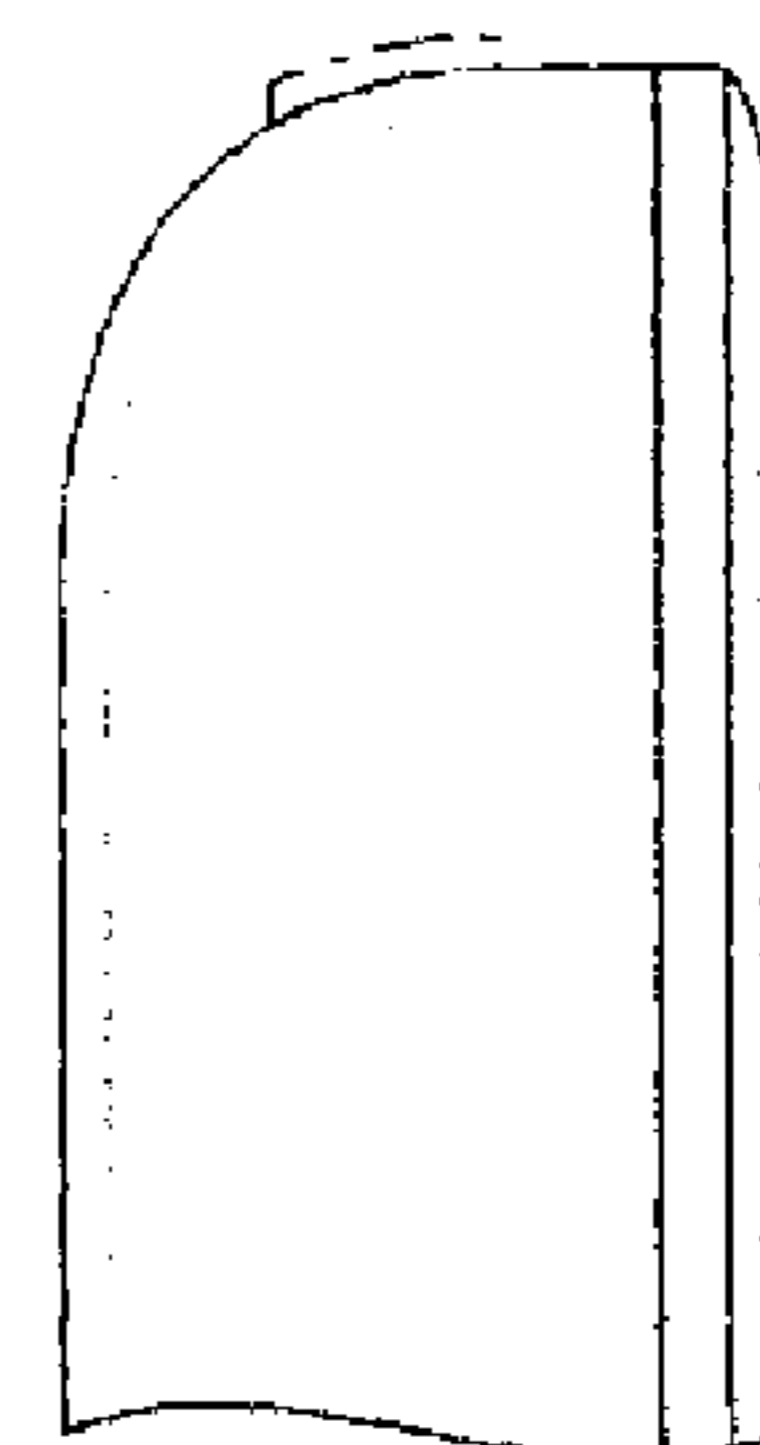
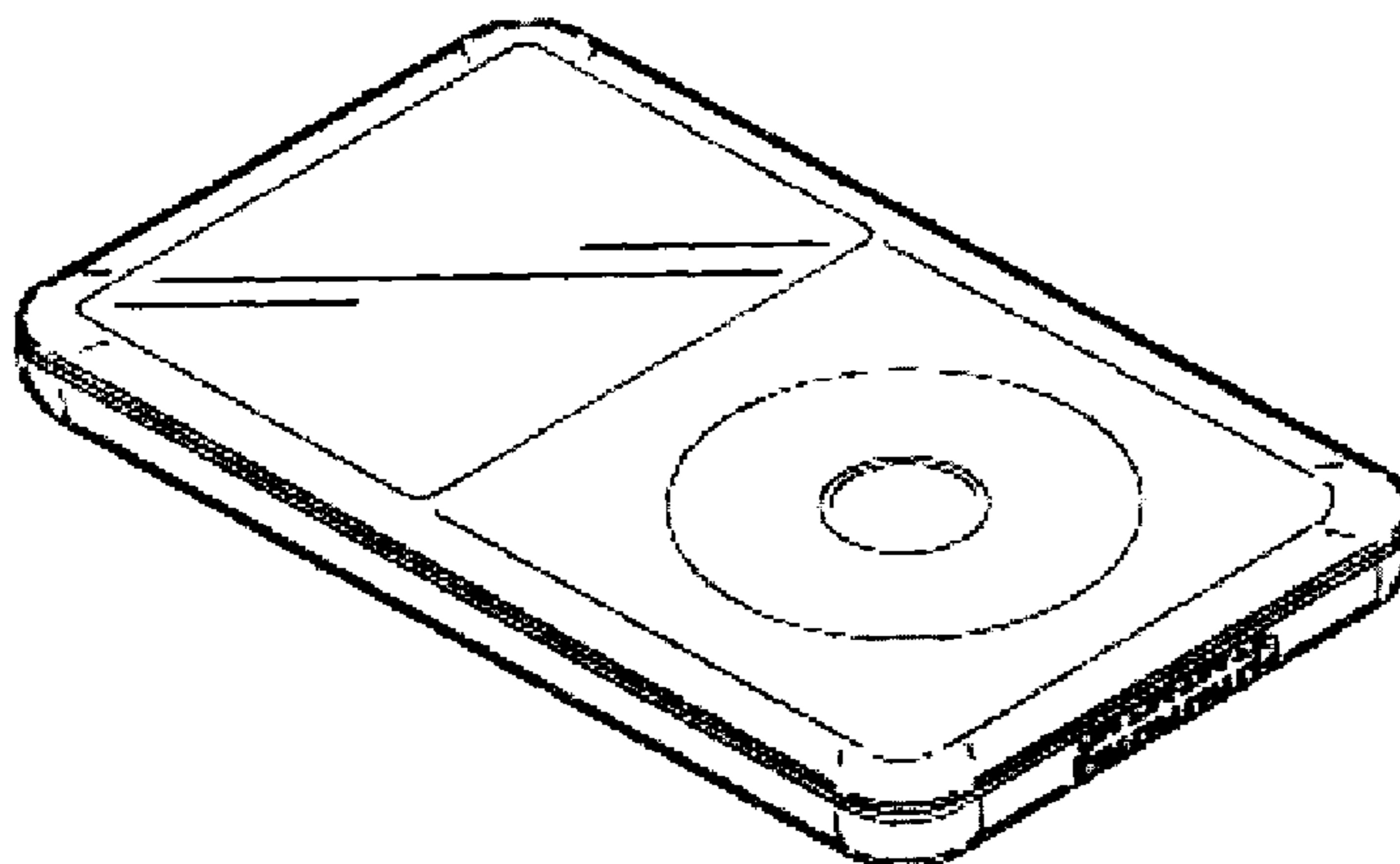
FIG. 7 is a top plan view thereof;

FIG. 8 is a bottom plan view thereof; and,

FIG. 9 is an enlarged elevational view of a representative corner of the electronic device.

The broken lines in the Figures are for illustrative purposes only and form no part of the claimed design.

1 Claim, 6 Drawing Sheets



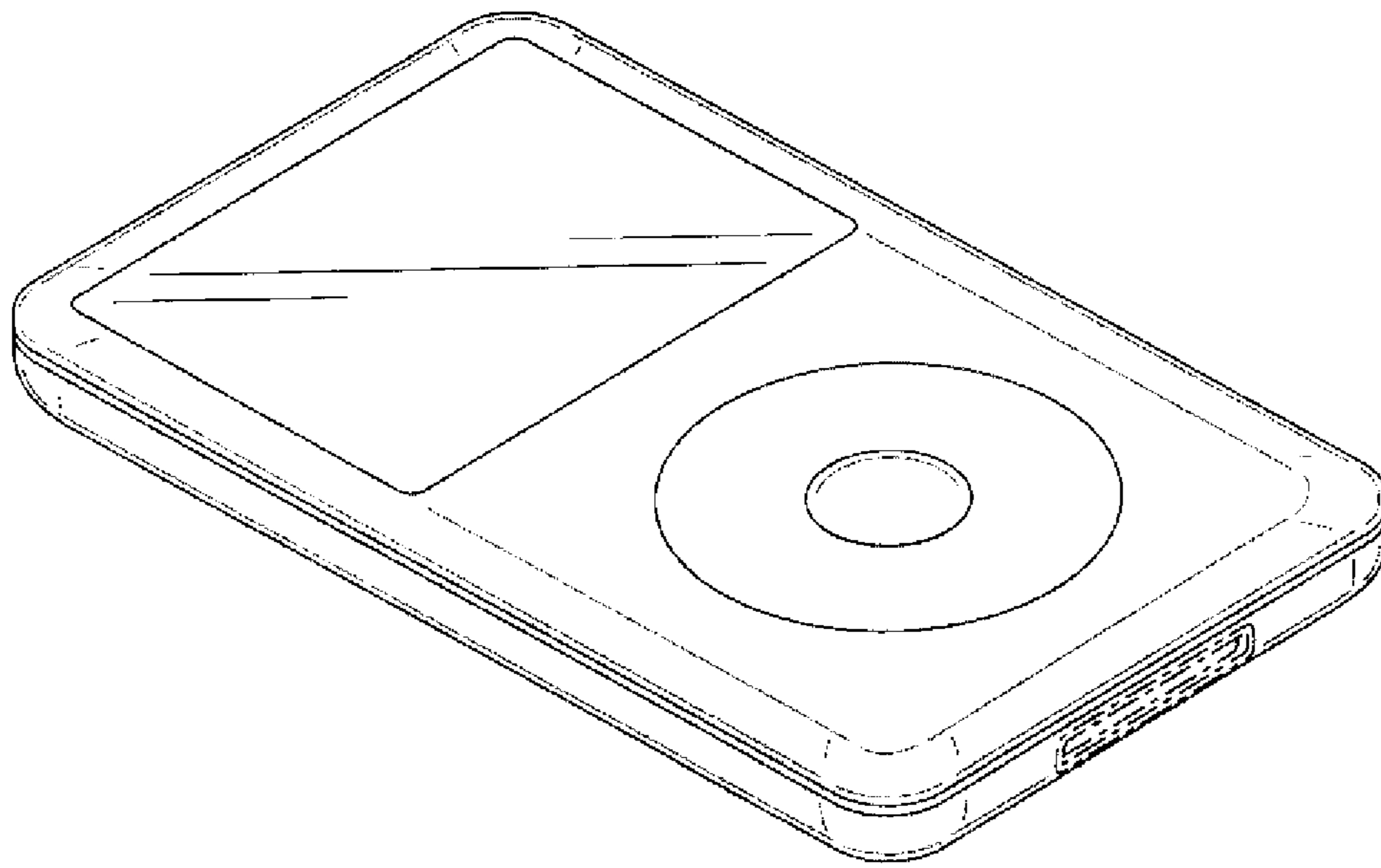


FIG. 1

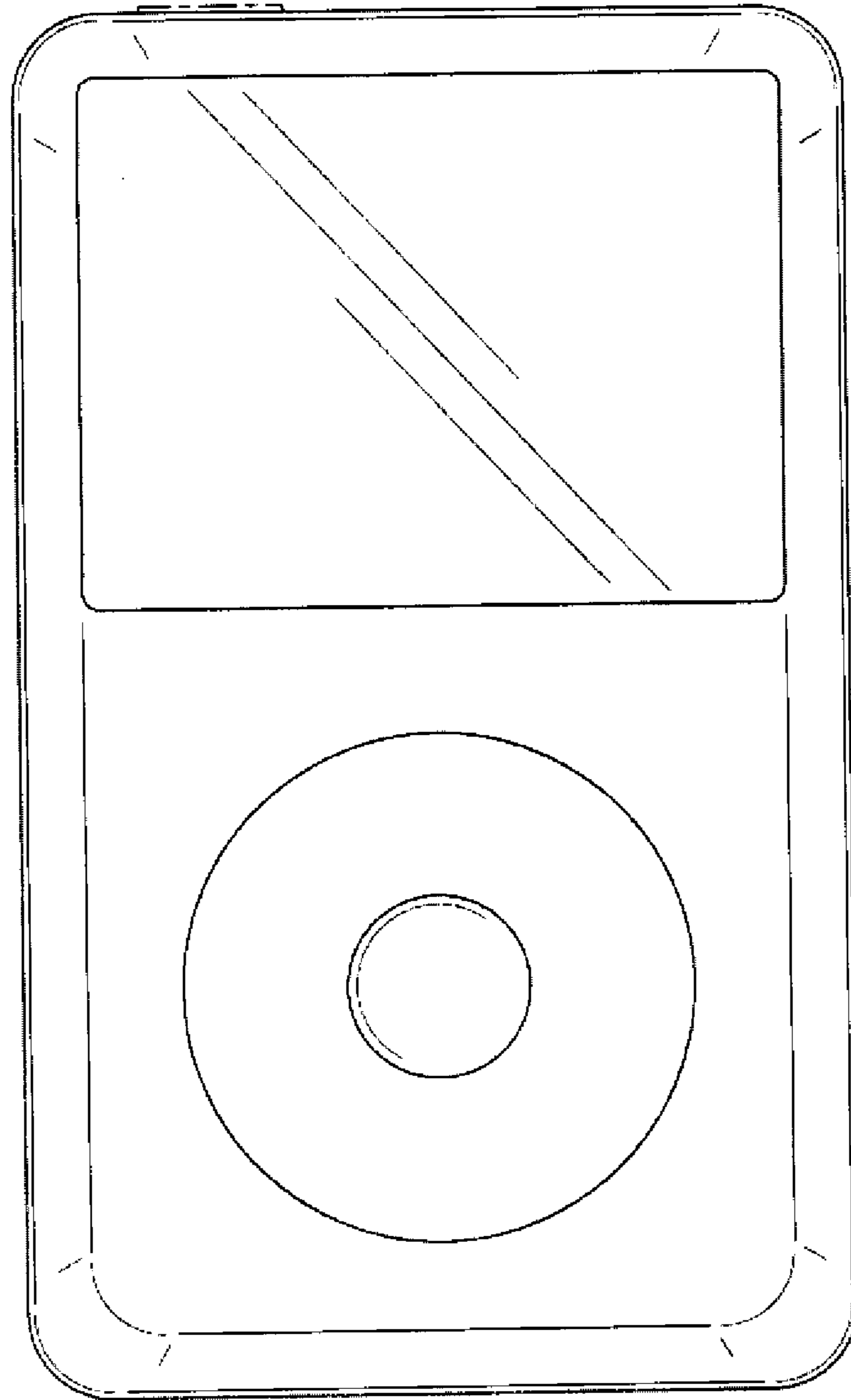


FIG. 3