



US00D597520S

(12) **United States Design Patent**
Shiono et al.

(10) **Patent No.:** **US D597,520 S**

(45) **Date of Patent:** **** Aug. 4, 2009**

(54) **COMBINED DISC PLAYER, CLOCK AND RADIO RECEIVER**

(75) Inventors: **Daisuke Shiono**, Tokyo (JP); **Naoya Sakeda**, Tokyo (JP); **Yoshiaki Kumagai**, Tokyo (JP)

(73) Assignee: **Sony Corporation**, Tokyo (JP)

(**) Term: **14 Years**

(21) Appl. No.: **29/309,095**

(22) Filed: **Jun. 20, 2008**

(30) **Foreign Application Priority Data**

Dec. 26, 2007 (JP) D2007-035518

(51) **LOC (9) Cl.** **14-01**

(52) **U.S. Cl.** **D14/168; D10/2; D14/171**

(58) **Field of Classification Search** D14/496, D14/498-511, 167-168, 188, 197-198, 169-172; 360/99.02, 99.07; 369/75.11, 75.21, 77.11, 369/77.21; 720/601, 612, 619, 649, 655; 455/344, 347-351; D10/2, 15

See application file for complete search history.

(56) **References Cited**

U.S. PATENT DOCUMENTS

D302,664 S * 8/1989 Dawson, Jr. D10/15

D455,793 S * 4/2002 Lin D14/496
D468,717 S * 1/2003 Cuvelier D14/168
D476,636 S 7/2003 Ota
D485,251 S * 1/2004 Lee D14/509
D488,796 S 4/2004 Hirano
D518,016 S 3/2006 Hirano
D519,976 S * 5/2006 Lee D14/509

* cited by examiner

Primary Examiner—Nanda Bondade

(74) *Attorney, Agent, or Firm*—Rader, Fishman & Grauer, PLLC

(57) **CLAIM**

The ornamental design for a combined disc player, clock and radio receiver, as shown.

DESCRIPTION

FIG. 1 is a perspective view of a combined disc player, clock and radio receiver showing our new design;

FIG. 2 is a front elevational view thereof;

FIG. 3 is a rear elevational view thereof;

FIG. 4 is a left side elevational view thereof;

FIG. 5 is a right side elevational view thereof;

FIG. 6 is a top plan view thereof; and,

FIG. 7 is a bottom plan view thereof.

1 Claim, 7 Drawing Sheets

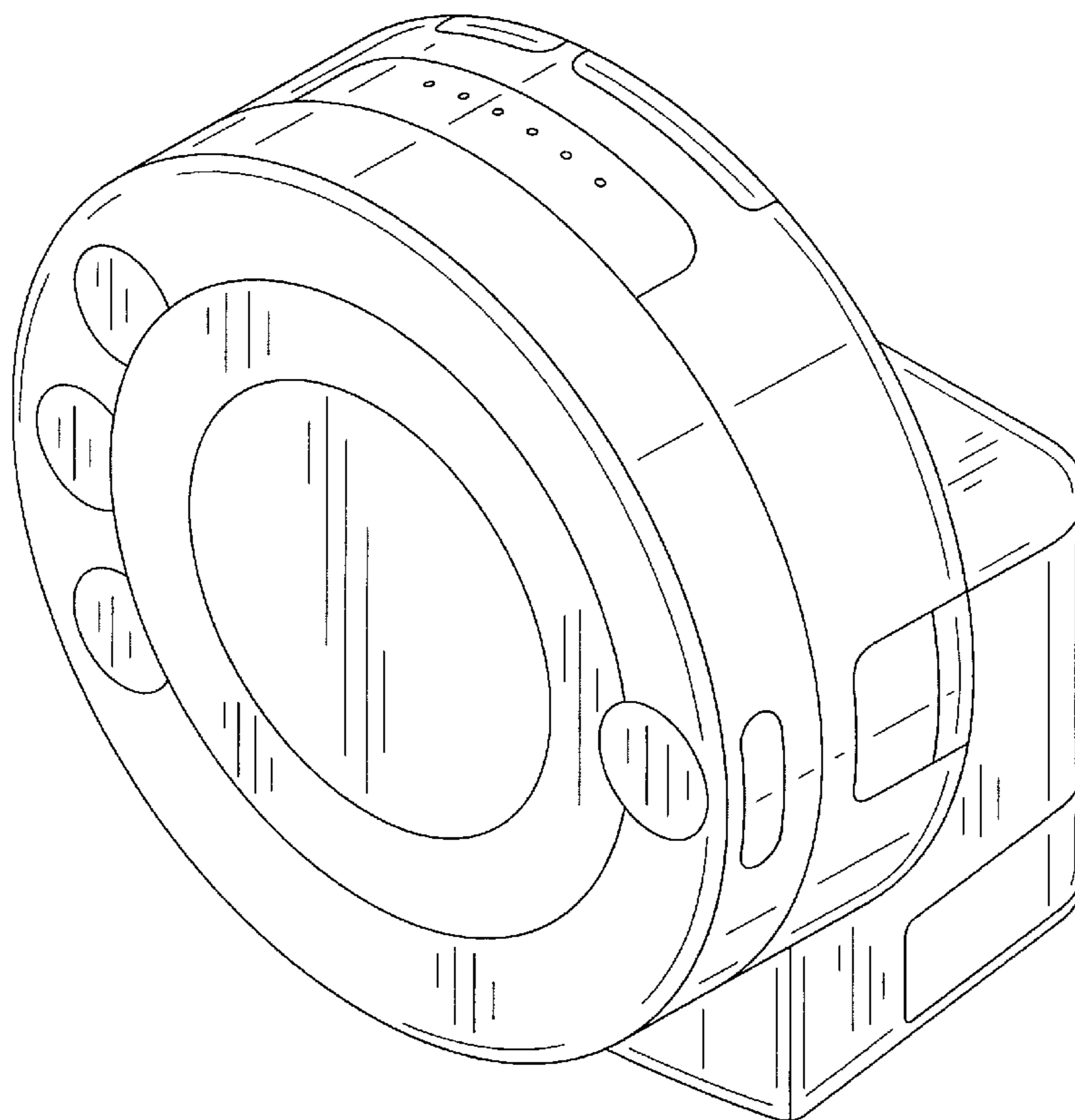


FIG.1

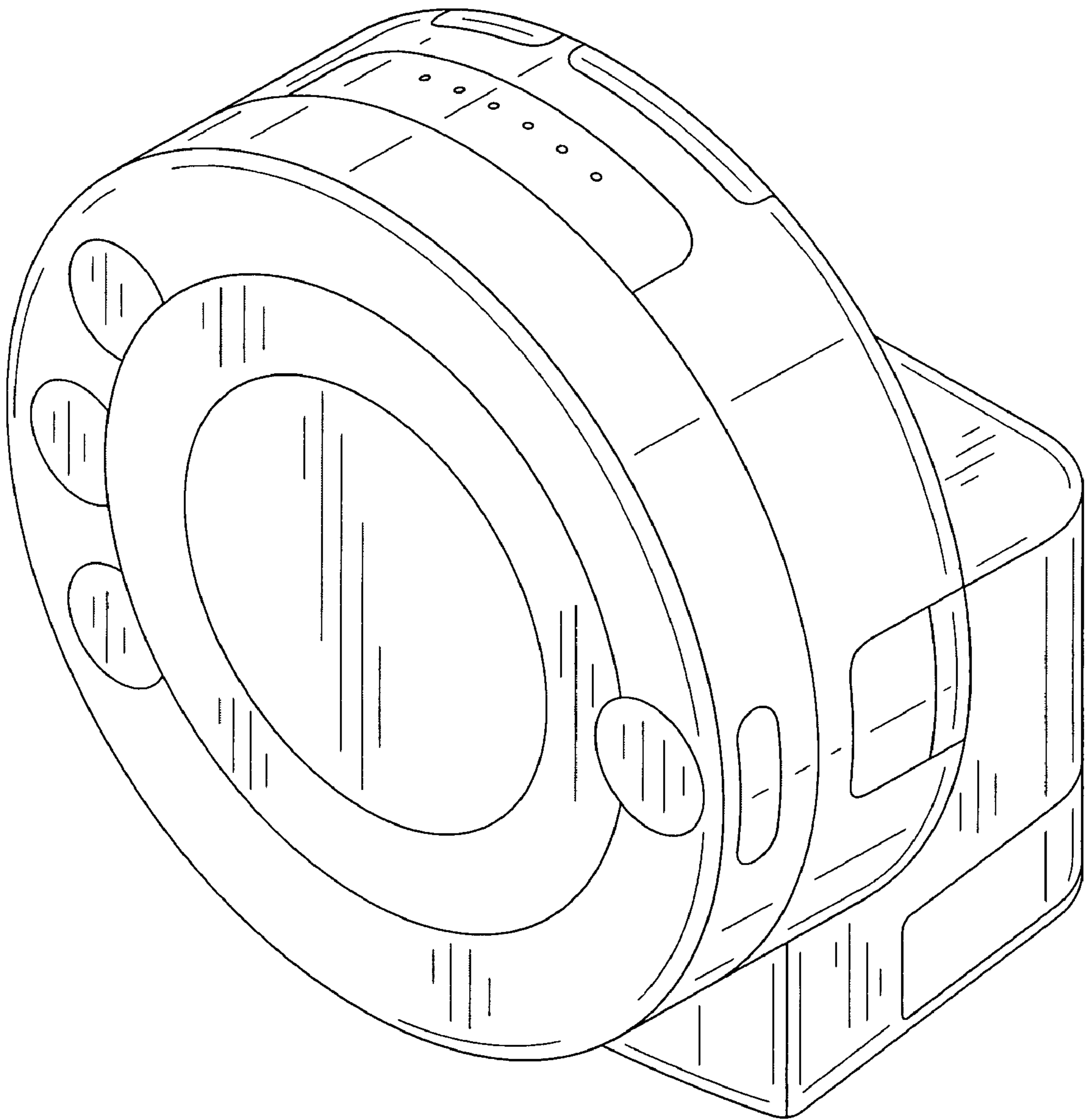


FIG.2

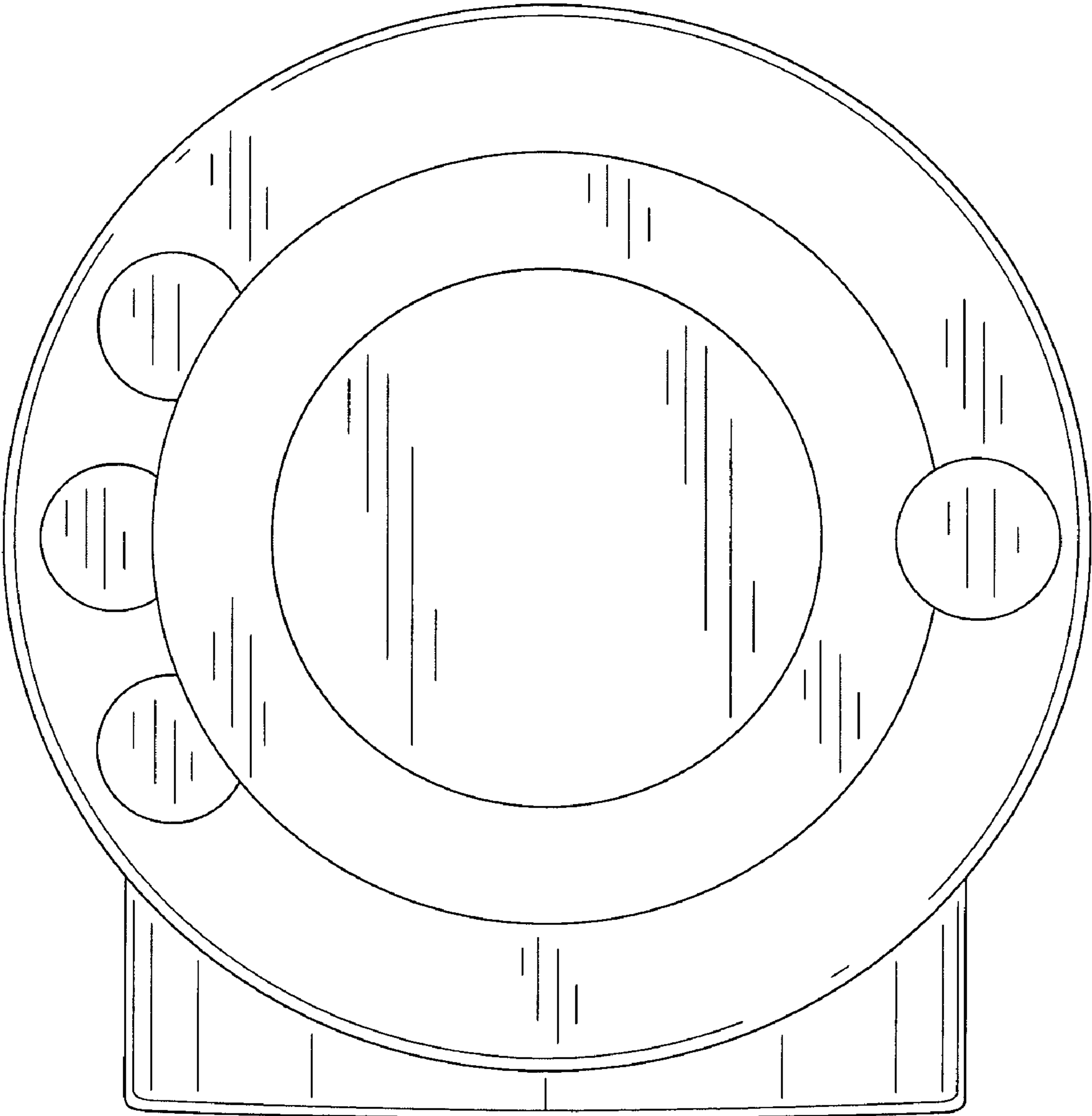


FIG.3

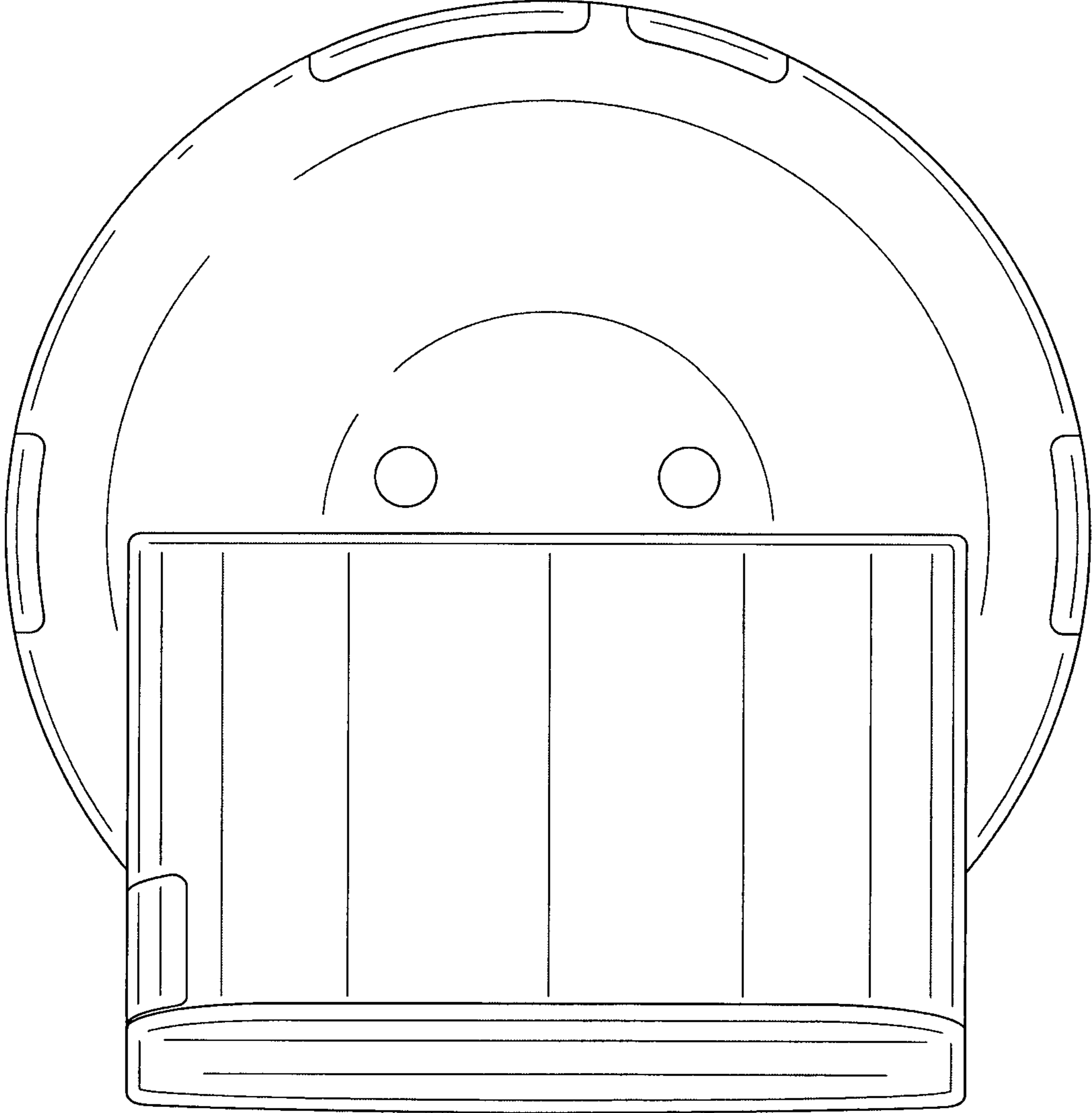


FIG.4

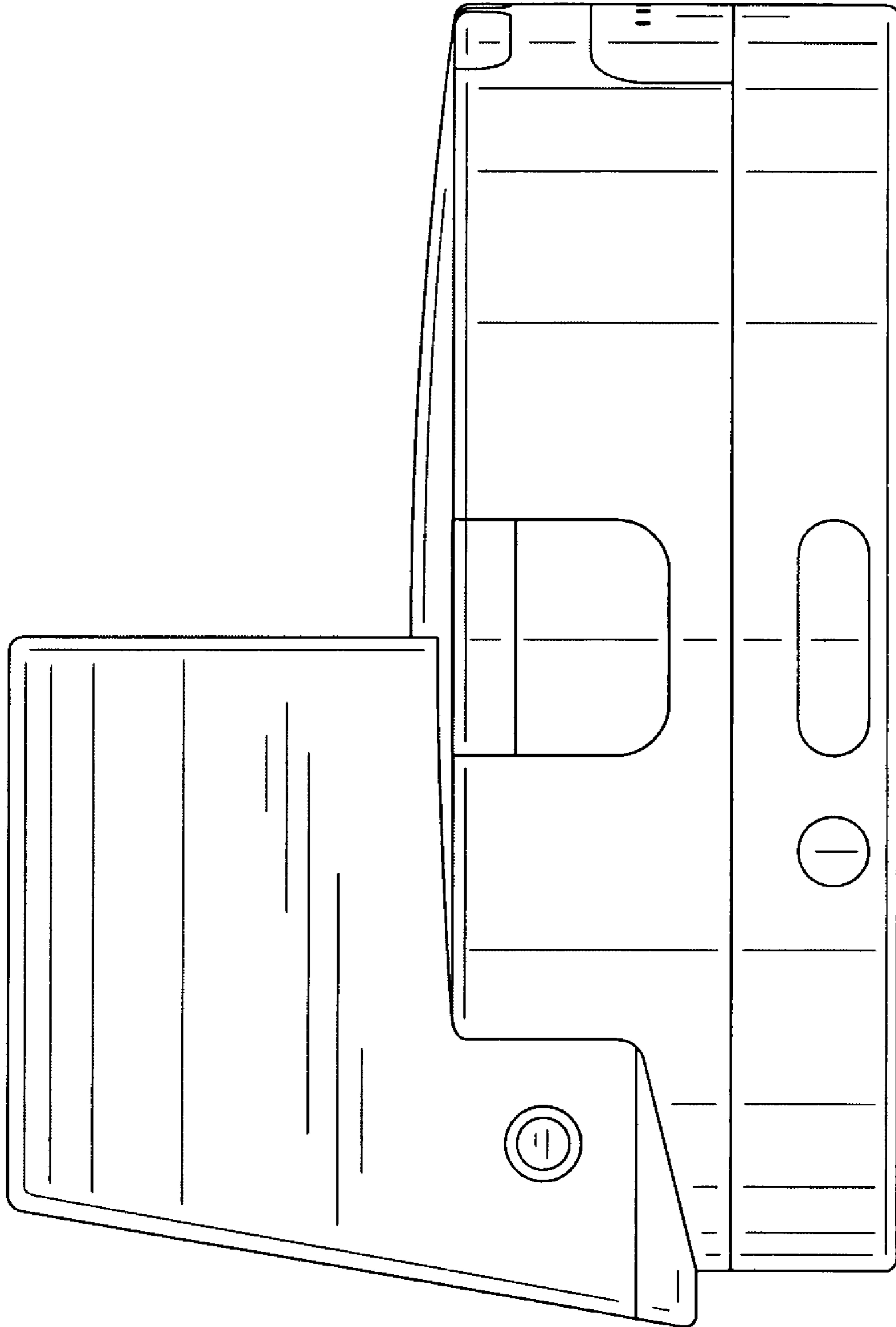


FIG.5

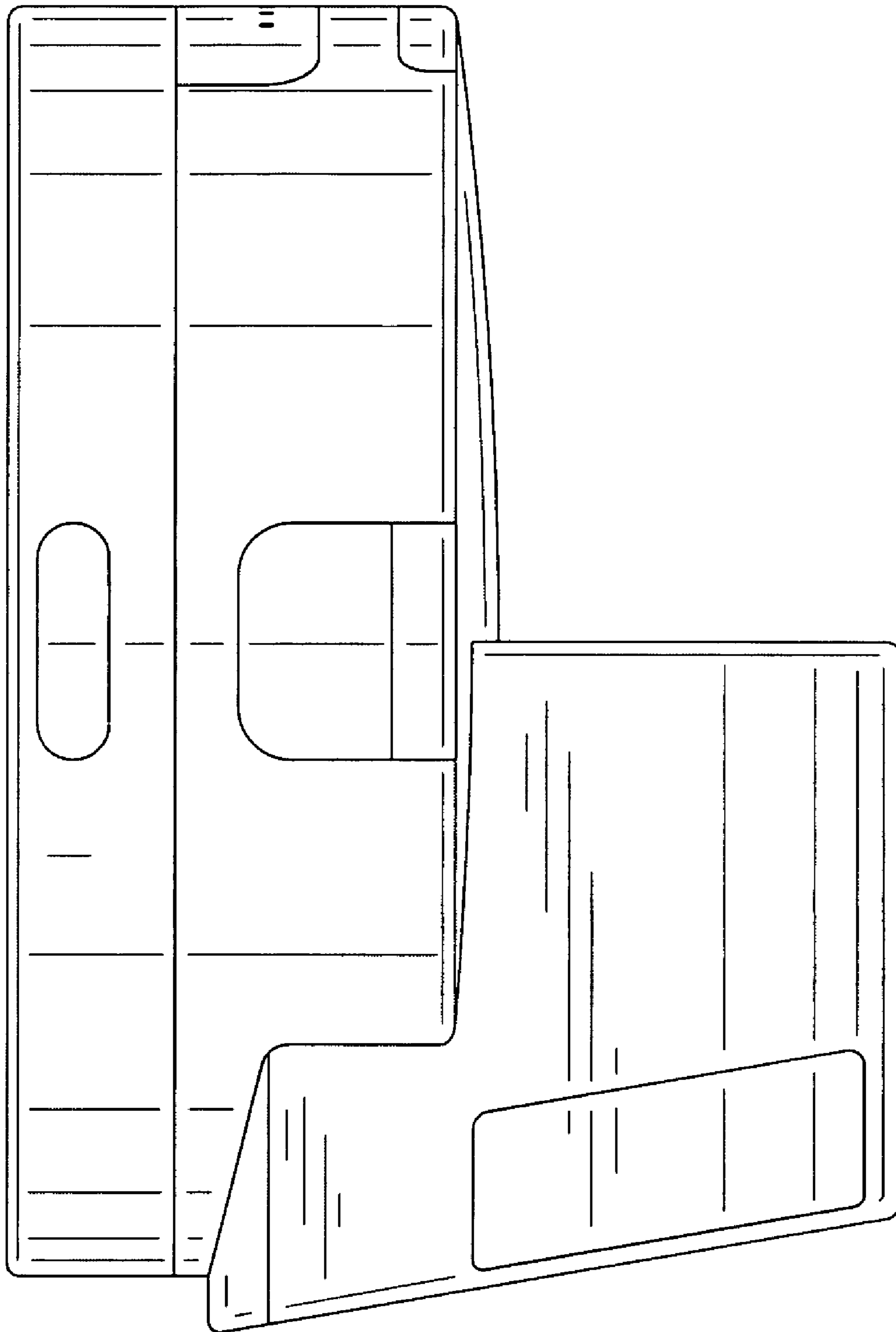


FIG.6

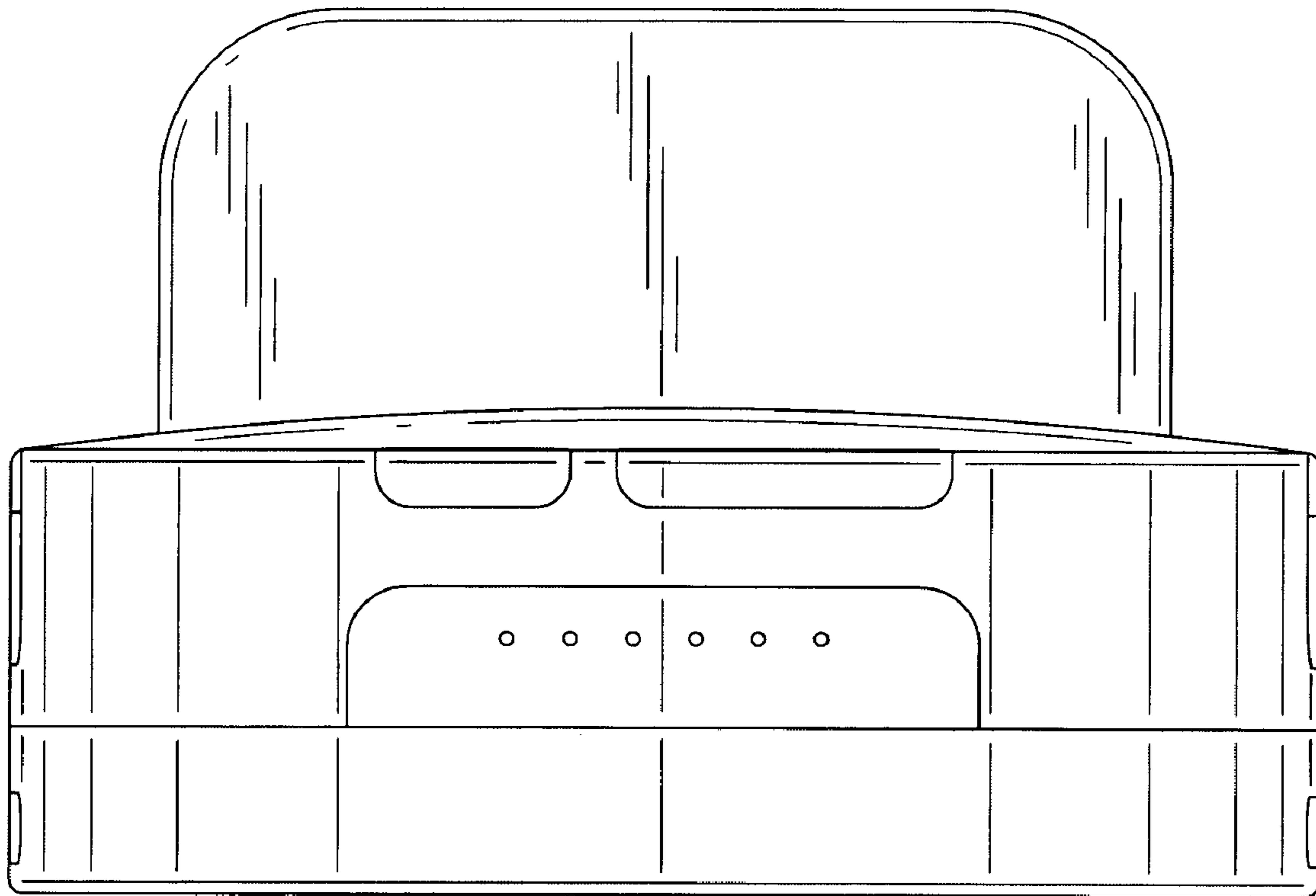


FIG.7

