



US00D597514S

(12) **United States Design Patent**
Gencarella et al.

(10) **Patent No.:** **US D597,514 S**

(45) **Date of Patent:** **** Aug. 4, 2009**

(54) **CIRCULAR CELL PHONE**

(76) Inventors: **Francesca P. Gencarella**, 710 Lakeway Dr., Sunnyvale, CA (US) 94085; **Krystal L. Feri**, 710 Lakeway Dr., Sunnyvale, CA (US) 94085

(**) Term: **14 Years**

(21) Appl. No.: **29/323,885**

(22) Filed: **Sep. 2, 2008**

(51) **LOC (9) Cl.** **14-03**

(52) **U.S. Cl.** **D14/138 AC**

(58) **Field of Classification Search** D14/138 R, D14/138 AD, 138 C, 138 G, 191, 203.1–203.8, D14/496, 138 AA, 138 AB, 138 AC, 137, D14/147, 218, 341–347, 247–248; D10/65, D10/78, 104; D13/168; D18/7; 455/566, 455/575.1, 575.3

See application file for complete search history.

(56) **References Cited**

U.S. PATENT DOCUMENTS

D232,863 S *	9/1974	Tong	D14/192
D276,535 S *	11/1984	Seifert	D18/7
5,243,430 A *	9/1993	Emmons	348/734
D346,598 S *	5/1994	McCay et al.	D14/137
D353,343 S *	12/1994	Eberhardt	D10/104
D358,149 S *	5/1995	Fellinger	D14/138 AB
D371,793 S *	7/1996	Patton	D14/218
D378,578 S *	3/1997	Eberhardt	D10/104
D407,985 S *	4/1999	Pimentel	D10/104
D417,465 S *	12/1999	Kreitz et al.	D19/60
D427,172 S *	6/2000	Bequir	D14/138 AC
D427,993 S *	7/2000	Seal	D14/218
D453,751 S *	2/2002	Bearden	D14/138 AB
D463,404 S *	9/2002	Sadatsuki	D14/218
D482,018 S *	11/2003	Christianson	D14/191
D488,142 S *	4/2004	Wang et al.	D14/138 AB
D496,916 S *	10/2004	Wang et al.	D14/138 AB
D507,257 S *	7/2005	Lovegreen et al.	D14/191
D511,985 S *	11/2005	Kelly, Jr.	D10/106

D512,417 S *	12/2005	Hirakawa et al.	D14/223
D516,031 S *	2/2006	Han et al.	D13/147
D518,030 S *	3/2006	Lin	D14/218
D526,973 S *	8/2006	Gates et al.	D13/184
D542,234 S *	5/2007	Shimizu	D13/168
D550,633 S *	9/2007	Gupta	D13/168
D568,304 S *	5/2008	Park	D14/240

FOREIGN PATENT DOCUMENTS

WO DM/061922 * 11/2002

* cited by examiner

Primary Examiner—Jeffrey D Asch

Assistant Examiner—Bridget L Eland

(74) *Attorney, Agent, or Firm*—Martine Penilla & Gencarella, LLP

(57) **CLAIM**

The ornamental design for circular cell phone, as shown and described.

DESCRIPTION

FIG. 1 is a perspective view of a circular cell phone in a closed position in accordance with the design.

FIG. 2 is a top view of the circular cell phone of FIG. 1.

FIG. 3 is a bottom view of the circular cell phone of FIG. 1.

FIG. 4 is a left side view of the circular cell phone of FIG. 1.

FIG. 5 is a right side view of the circular cell phone of FIG. 1.

FIG. 6 is a back side view of the circular cell phone of FIG. 1.

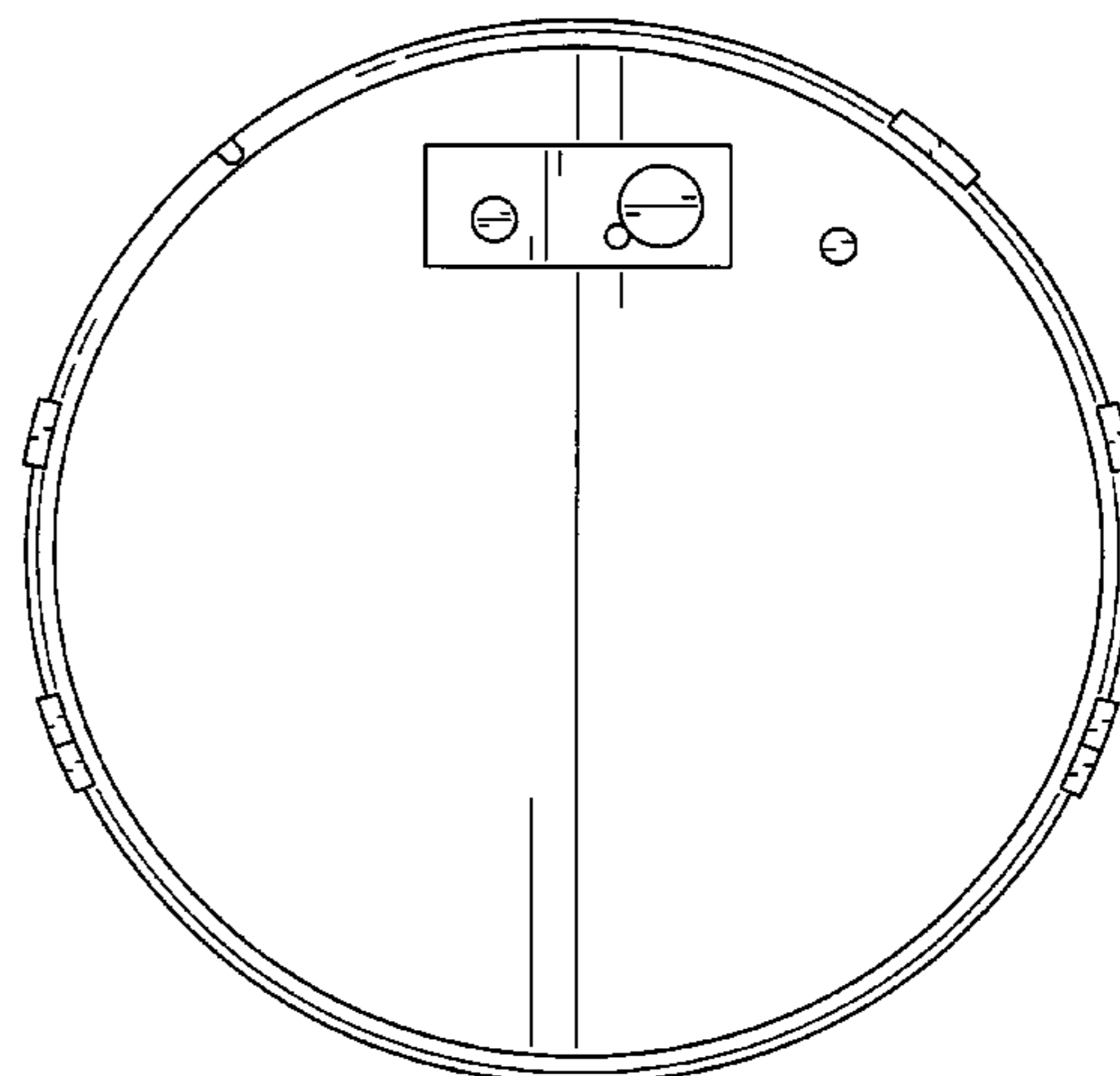
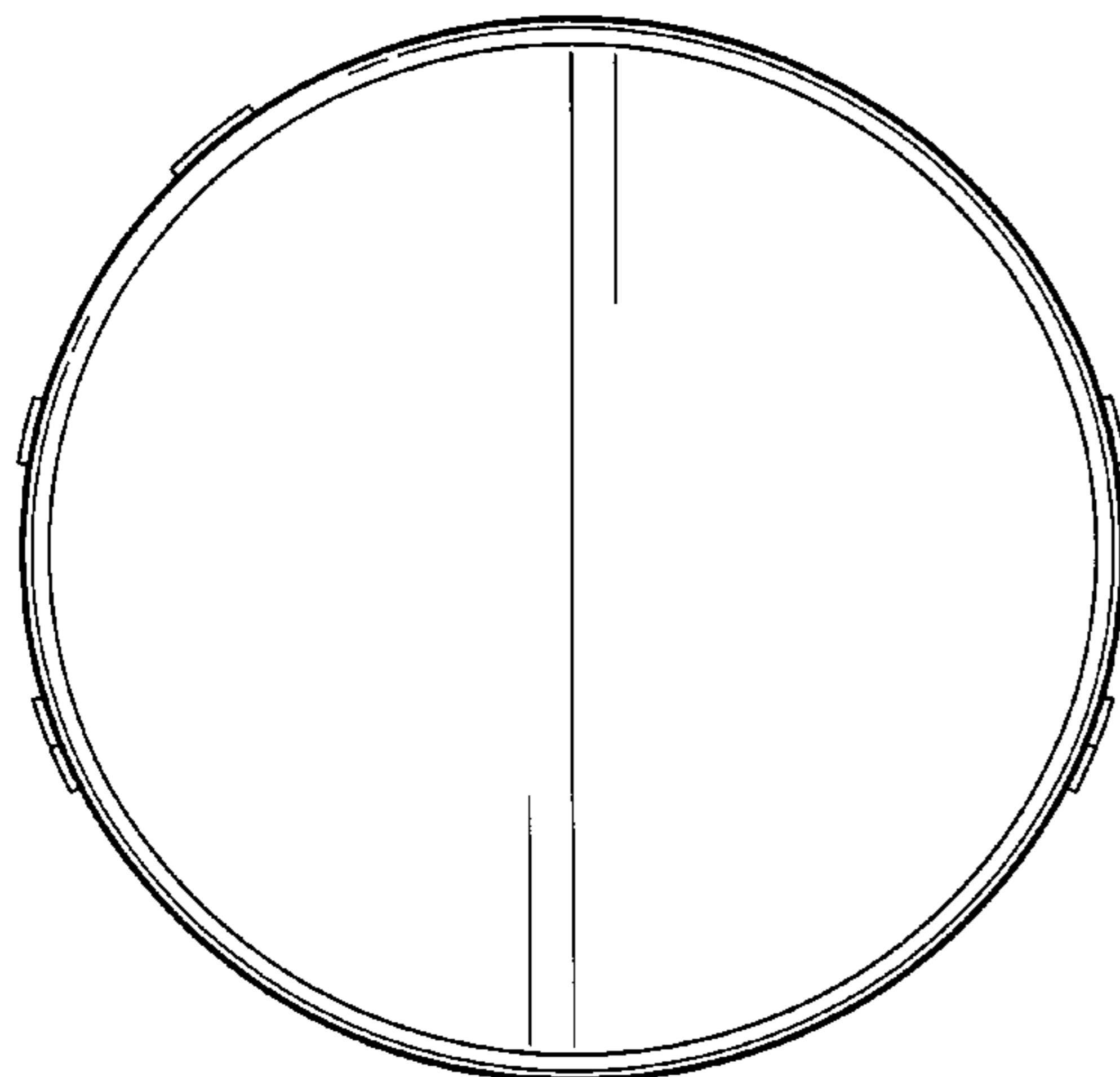
FIG. 7 is a front side view of the circular cell phone of FIG. 1.

FIG. 8 is a top view of the circular cell phone in an open position in accordance with the design; and,

FIG. 9 is a back view of the circular cell phone in an open position in accordance with the design.

The broken lines showing the indicia on the keys are superimposed on a continuous surface, are directed to environment, and are for illustrative purposes only; the broken lines form no part of the claimed design.

1 Claim, 7 Drawing Sheets



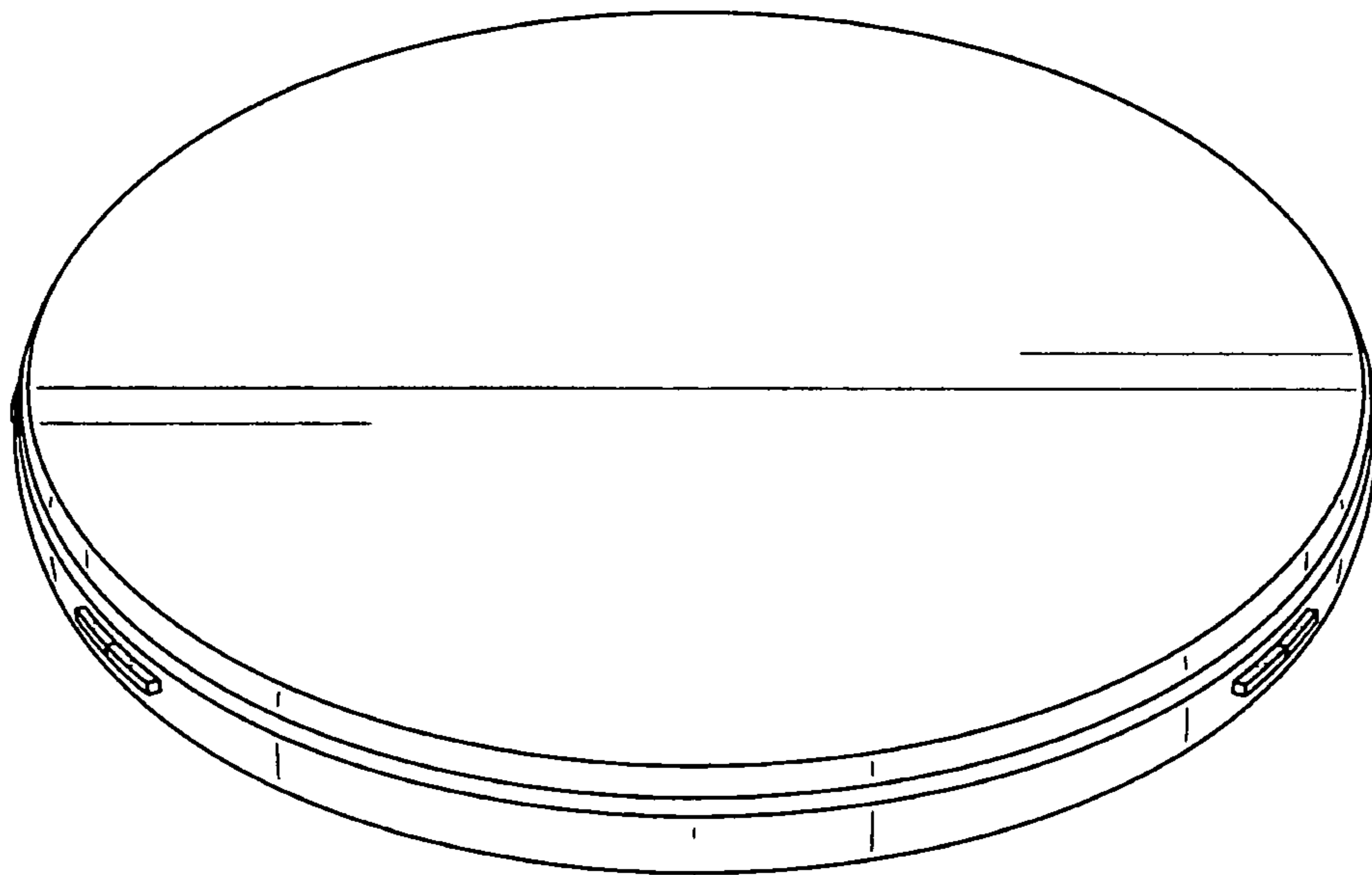


FIG. 1

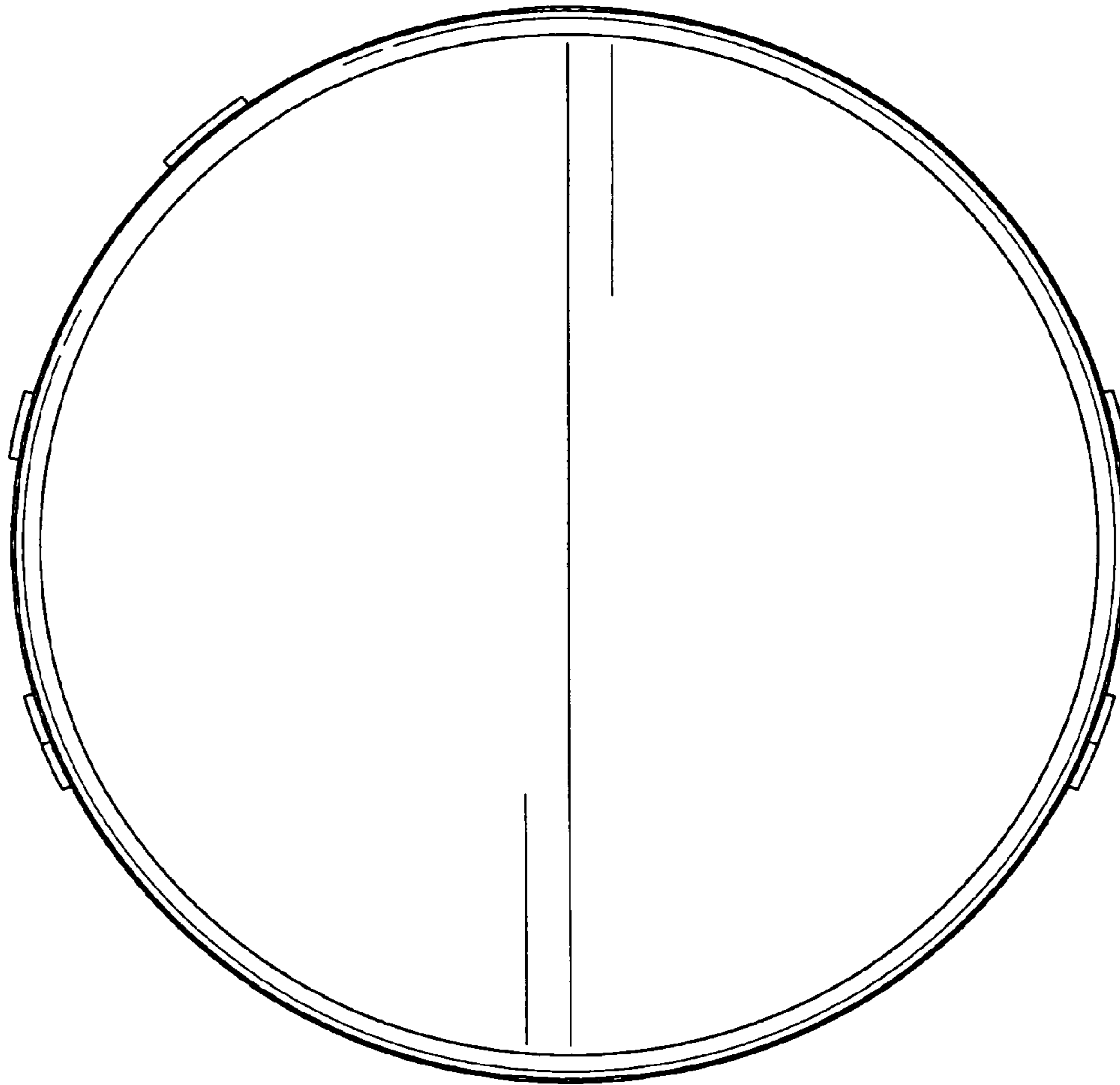


FIG. 2

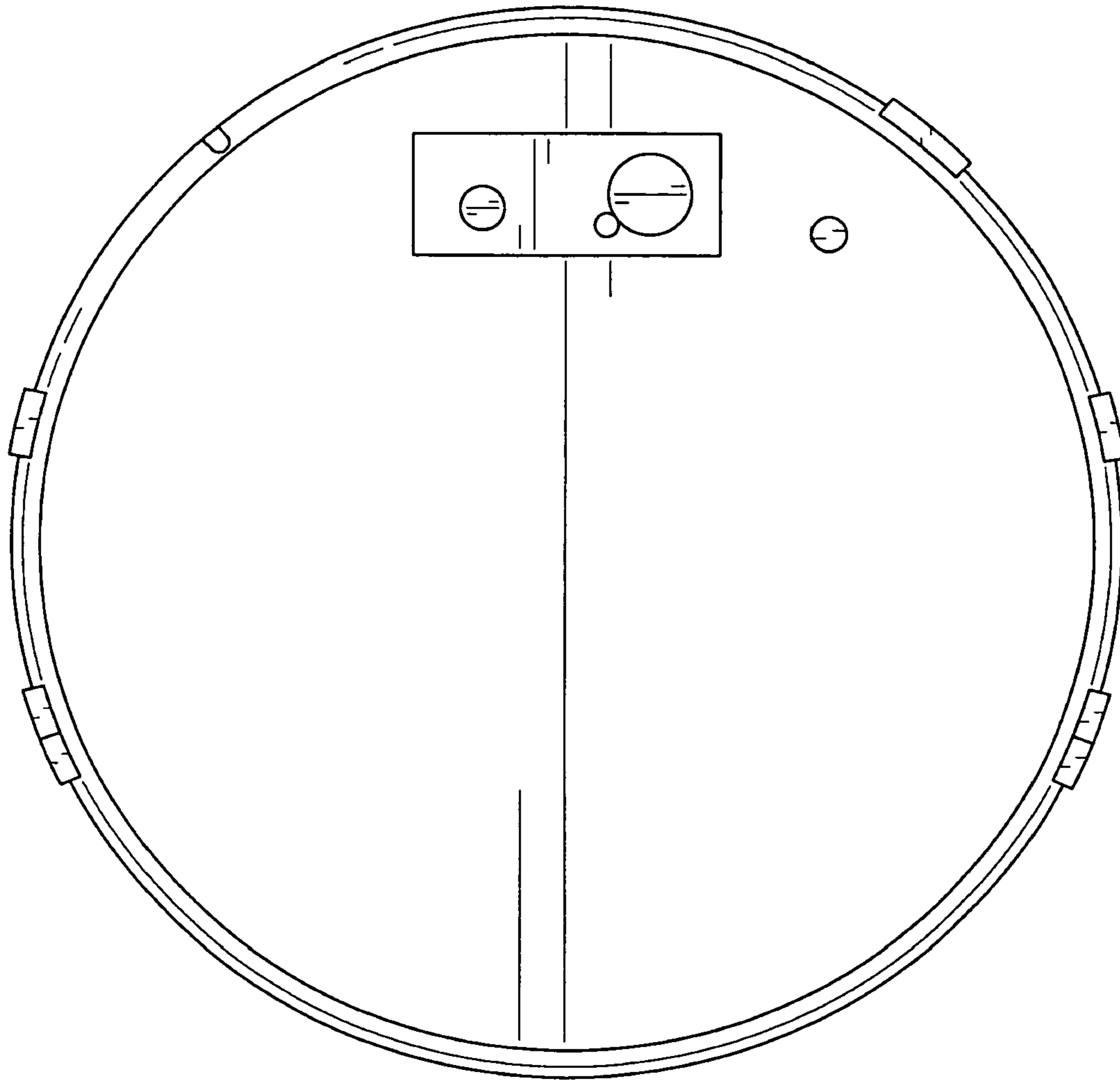


FIG. 3

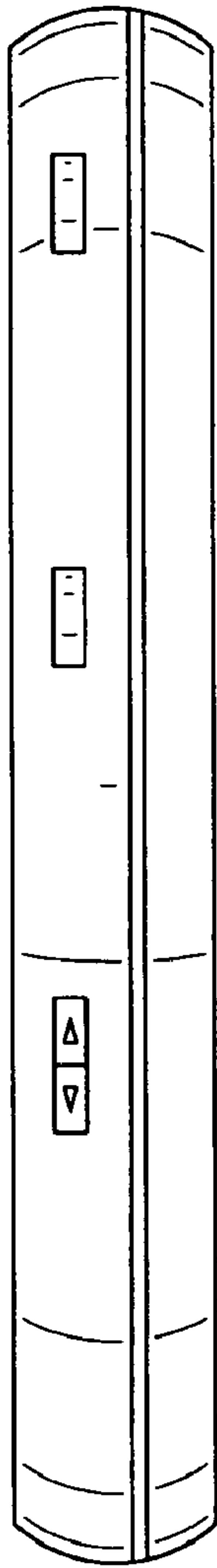


FIG. 4

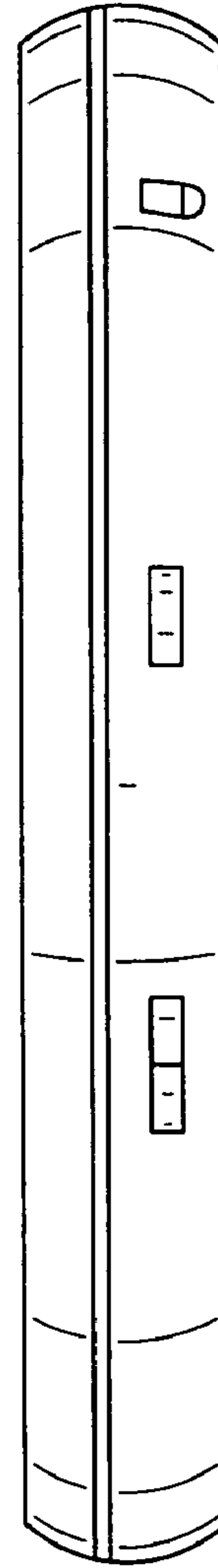


FIG. 5

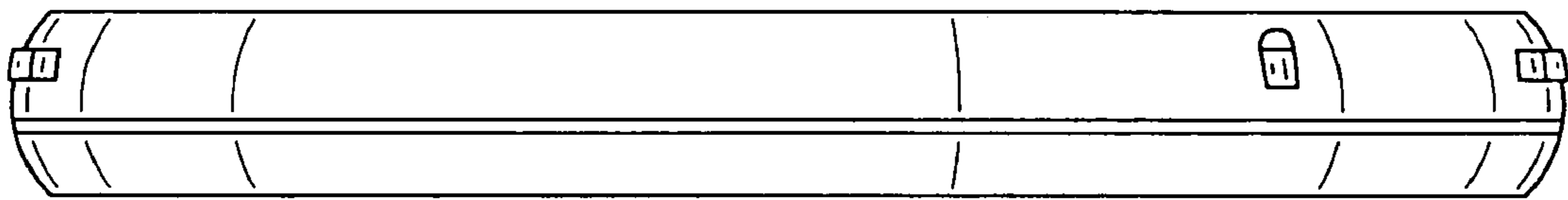


FIG. 6

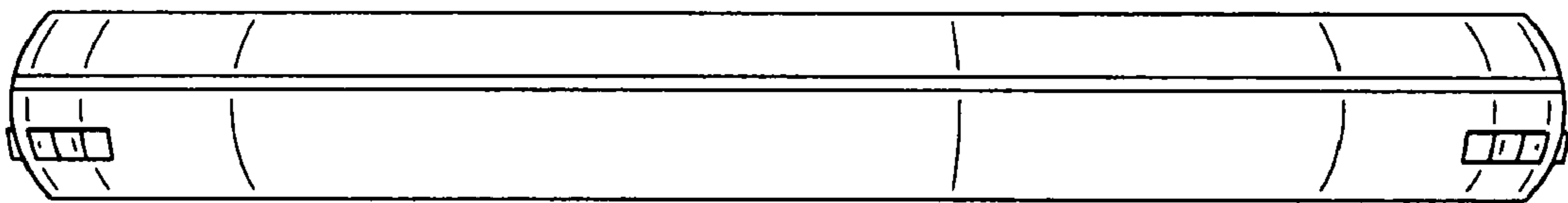


FIG. 7

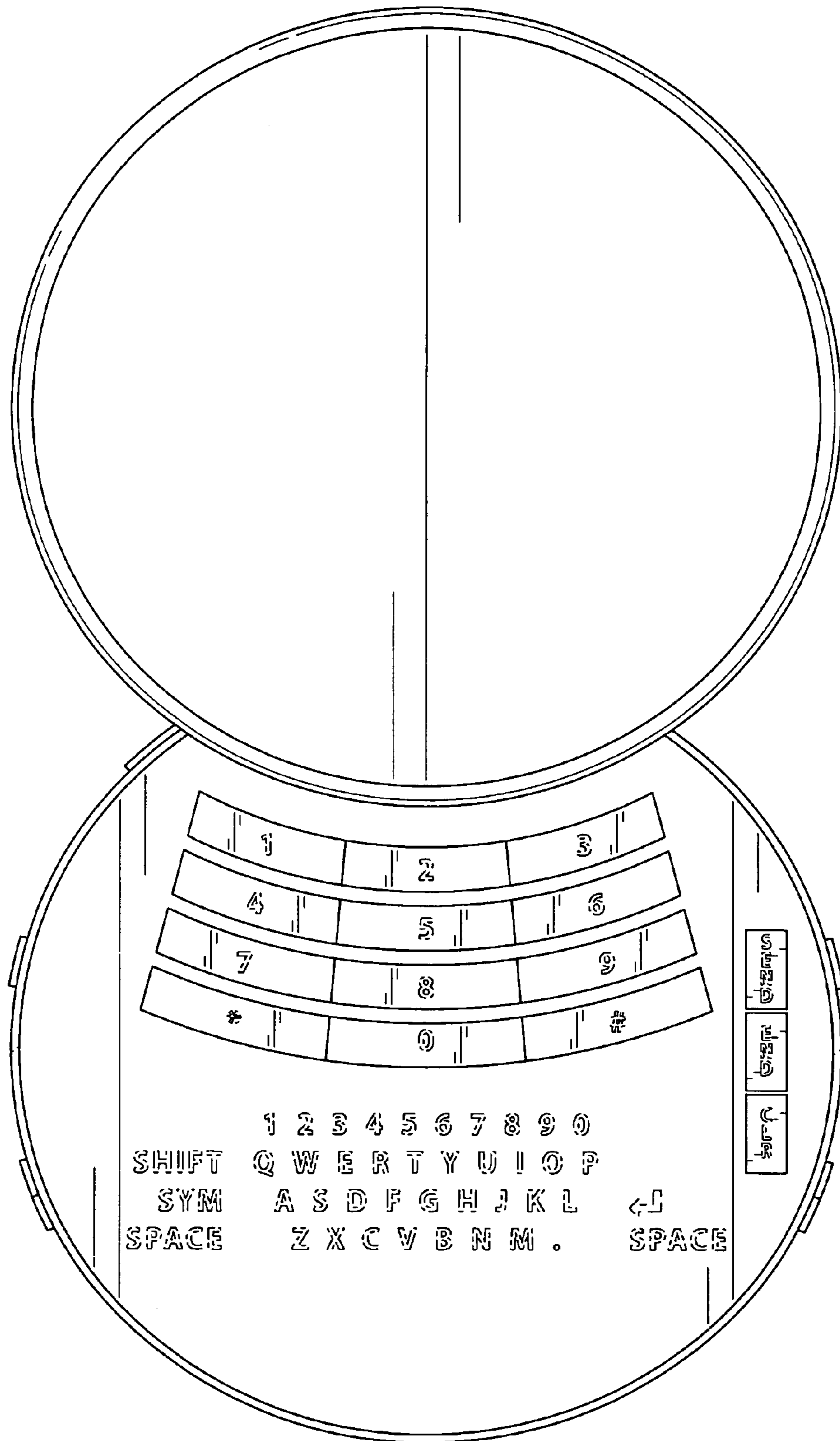


FIG. 8

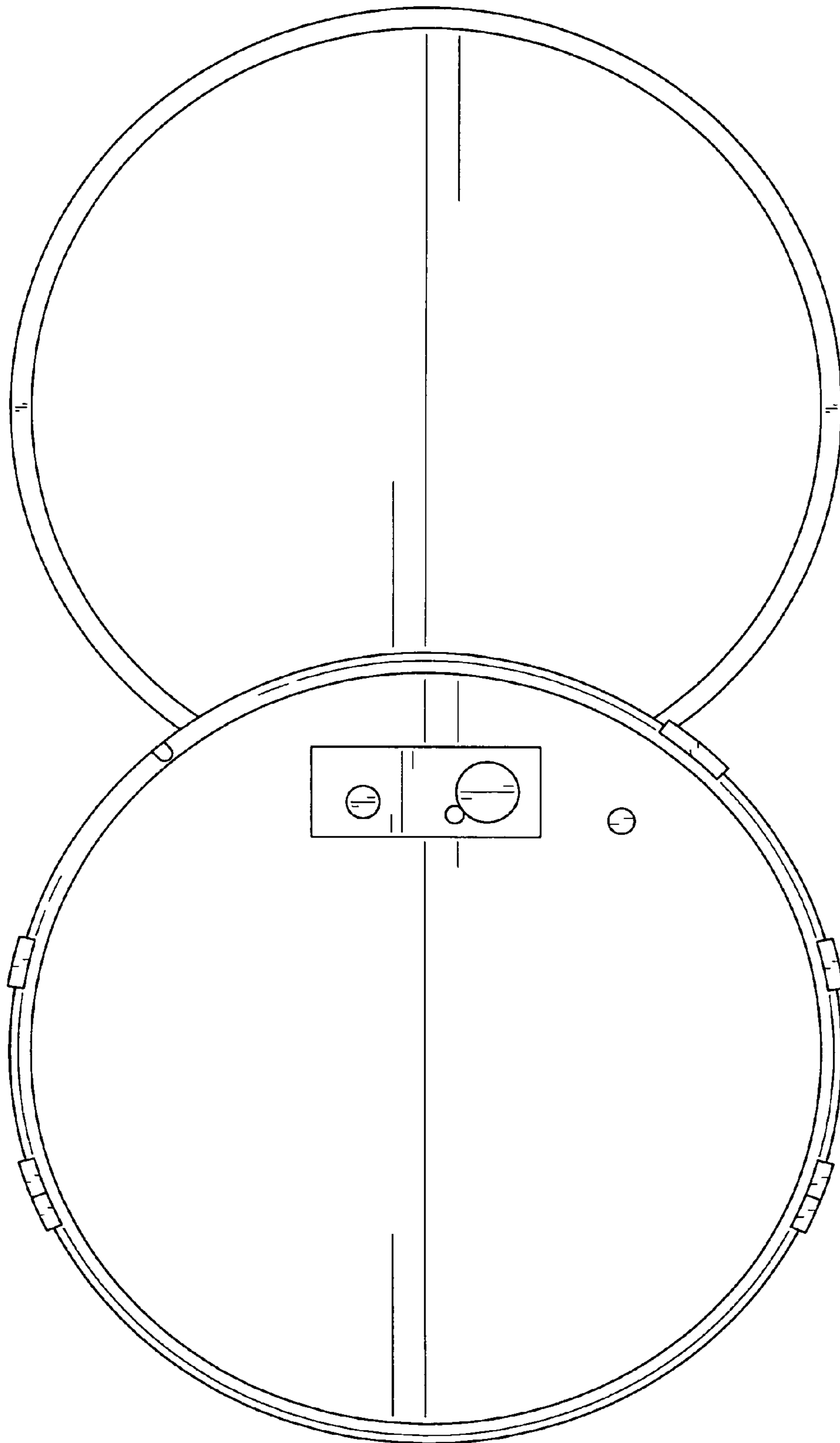


FIG. 9