

US00D597513S

(12) **United States Design Patent**
Kim et al.

(10) **Patent No.:** **US D597,513 S**
(45) **Date of Patent:** **** Aug. 4, 2009**

(54) **MOBILE PHONE**

D562,796 S * 2/2008 Sohn et al. D14/138 AD
D563,372 S * 3/2008 Park D14/138 AA

(75) Inventors: **Kang-Moon Kim**, Seoul (KR);
Young-Ju Yeo, Seoul (KR); **Chang-Soo Lee**, Incheon (KR)

(Continued)

(73) Assignee: **Samsung Electronics Co., Ltd.**,
Suwon-si (KR)

OTHER PUBLICATIONS

(**) Term: **14 Years**

LG KM500, announced Feb. 2008, [online], [retrieved on Mar. 21, 2008]. Retrieved from Internet ,<URL: http://www.gsmarena.com>.*

LG KM710, announced Feb. 2008, [online], [retrieved on Mar. 21, 2008]. Retrieved from Internet ,<URL: http://www.gsmarena.com>.*

(21) Appl. No.: **29/323,738**

Pantech PG-3600V, announced Feb. 2006, [online], [retrieved on Feb. 20, 2007]. Retrieved from Internet ,<URL: http://www.gsmarena.com>.*Pantech U-4000, announced Nov. 2006, [online], [retrieved on Feb. 20, 2007]. Retrieved from Internet ,<URL: http://www.gsmarena.com>.*

(22) Filed: **Aug. 29, 2008**

(30) **Foreign Application Priority Data**

(Continued)

May 23, 2008 (KR) 30-2008-0021799

Primary Examiner—Jeffrey D Asch

Assistant Examiner—Bridget L Eland

(51) **LOC (9) Cl.** **14-03**

(52) **U.S. Cl.** **D14/138 AD**

(74) *Attorney, Agent, or Firm*—Staas & Halsey LLP

(58) **Field of Classification Search** D14/137,
D14/138 R, 138 AA, 138 AB, 138 AC, 138 AD,
D14/138 C, 138 G, 147, 191, 203.1–203.8,
D14/218, 247–248, 341–347, 496, 244, 432,
D14/439, 455, 456; D10/65, 78, 104; D13/168;
D18/7; 455/566, 575.1, 575.3; 345/169
See application file for complete search history.

(57) **CLAIM**

The ornamental design for a mobile phone, as shown and described.

(56) **References Cited**

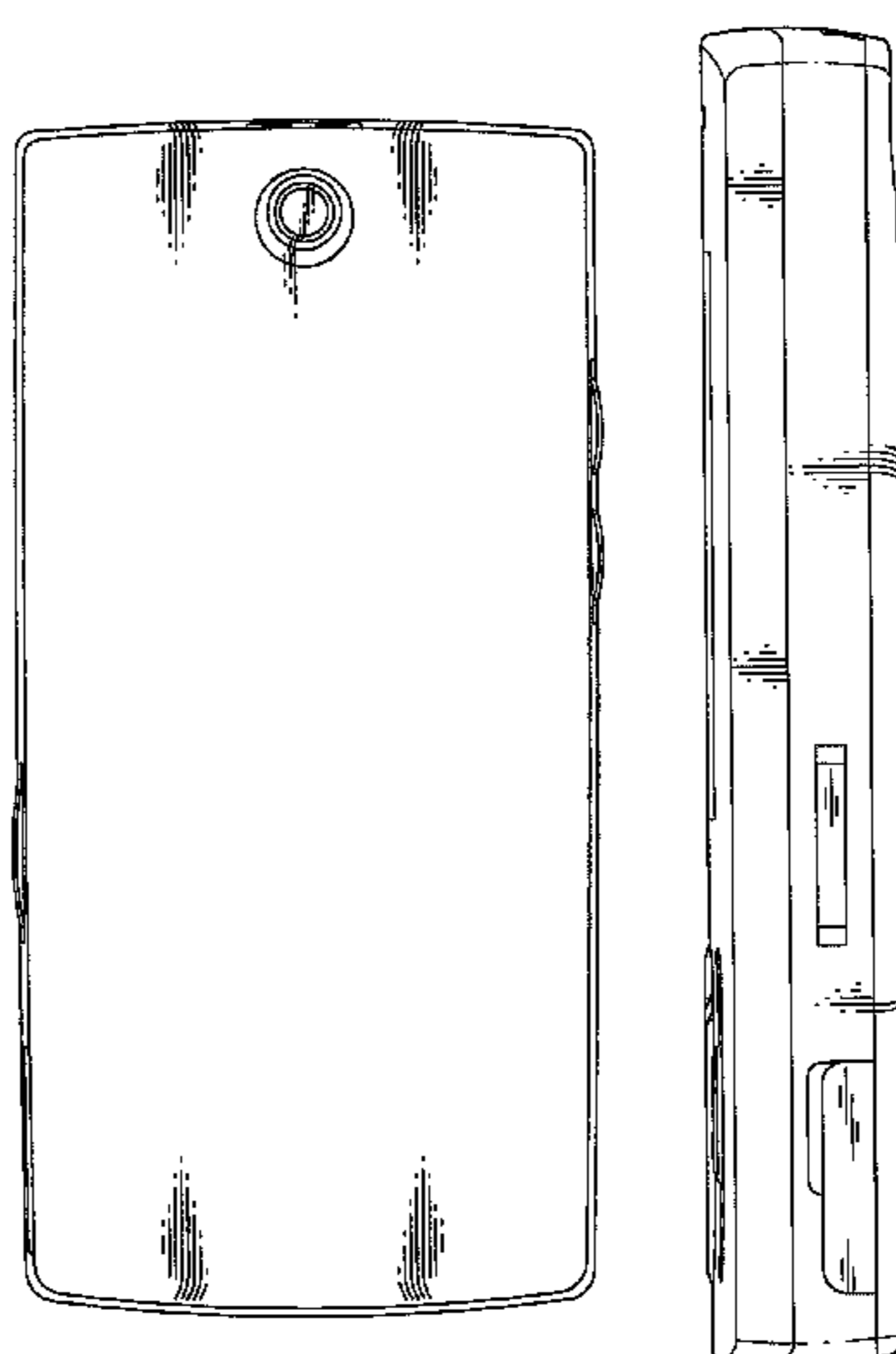
DESCRIPTION

U.S. PATENT DOCUMENTS

D534,144 S * 12/2006 Chung et al. D14/138 AD
D534,518 S * 1/2007 Choi et al. D14/138 AD
D557,242 S * 12/2007 Kim et al. D14/138 AD
D558,177 S * 12/2007 Han et al. D14/138 AD
D558,719 S * 1/2008 Choi et al. D14/138 AA
D560,195 S * 1/2008 Moon et al. D14/138 AD
D560,644 S * 1/2008 Choi et al. D14/138 AD
D562,287 S * 2/2008 Kim et al. D14/138 AD
D562,291 S * 2/2008 Bang et al. D14/138 AD

FIG. 1 is a front perspective view of a mobile phone;
FIG. 2 is a front view of the mobile phone of FIG. 1;
FIG. 3 is a rear view of the mobile phone of FIG. 1;
FIG. 4 is a left-side view of the mobile phone of FIG. 1;
FIG. 5 is a right-side view of the mobile phone of FIG. 1;
FIG. 6 is a top plan view of the mobile phone of FIG. 1;
FIG. 7 is a bottom plan view of the mobile phone of FIG. 1;
FIG. 8 is a front open view, with the front panel slid up, of the mobile phone of FIG. 1; and,
FIG. 9 is a front view, with the front panel slid down, of the mobile phone of FIG. 1.

1 Claim, 6 Drawing Sheets



(56)

References Cited

U.S. PATENT DOCUMENTS

D563,373 S * 3/2008 Suk et al. D14/138 AD
D566,090 S * 4/2008 Moon D14/138 AD
D567,794 S * 4/2008 Kim et al. D14/138 AD
D569,833 S * 5/2008 Suk et al. D14/138 AD
D569,834 S * 5/2008 Suk et al. D14/138 AD
D570,346 S * 6/2008 Suk et al. D14/341
D570,838 S * 6/2008 Suk et al. D14/341
D575,761 S * 8/2008 Kim D14/138 AD
D580,395 S * 11/2008 Oh et al. D14/138 R

D580,403 S * 11/2008 Jung et al. D14/138 AD
D580,904 S * 11/2008 Park et al. D14/138 R
D581,382 S * 11/2008 Jeoung et al. D14/138 R
2004/0242288 A1* 12/2004 Balle et al. 455/575.1
2008/0058022 A1* 3/2008 Ahn 455/566
2008/0225109 A1* 9/2008 Lee 348/14.02

OTHER PUBLICATIONS

Pantech Matrix, announced Oct. 2008, [online], [retrieved on Nov. 8, 2008]. Retrieved from Internet ,<URL: <http://www.gsmarena.com>>.*

* cited by examiner

FIG. 1

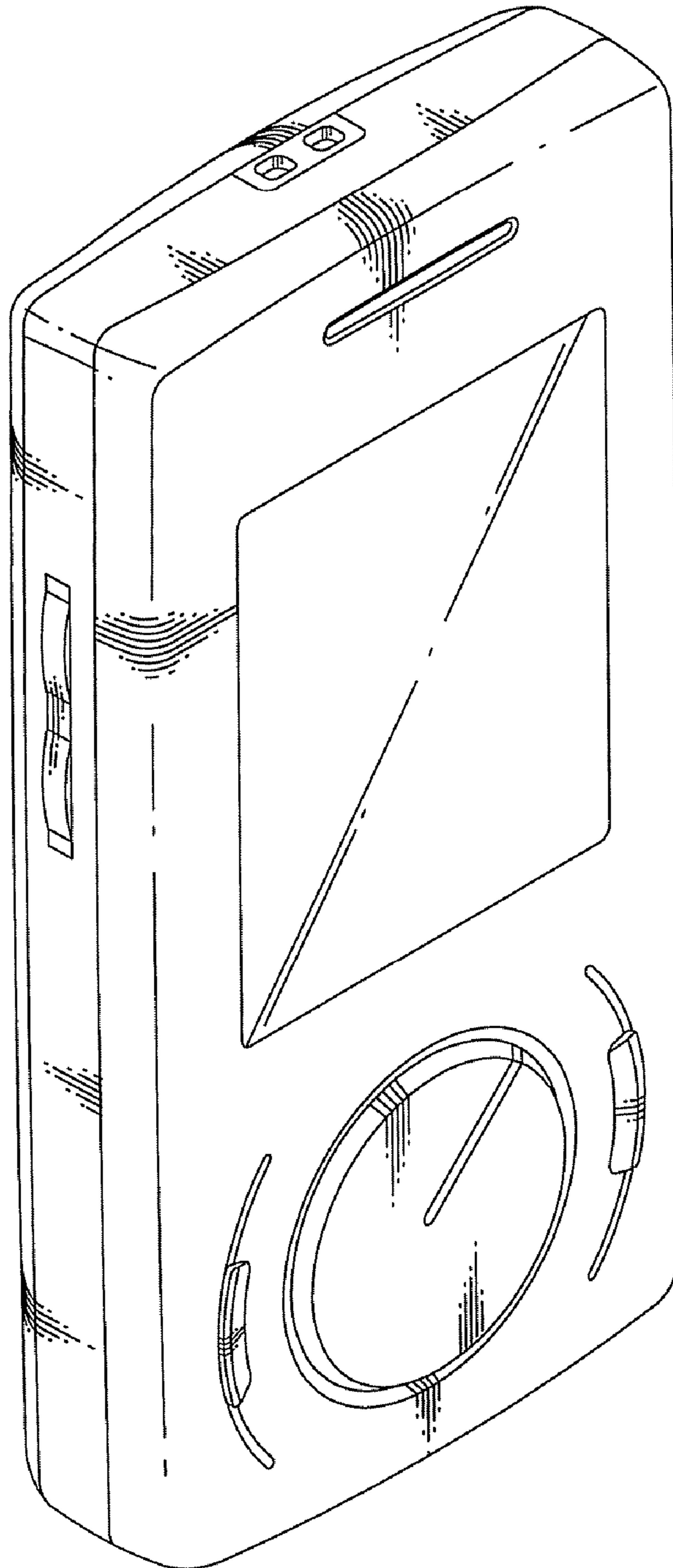


FIG. 2

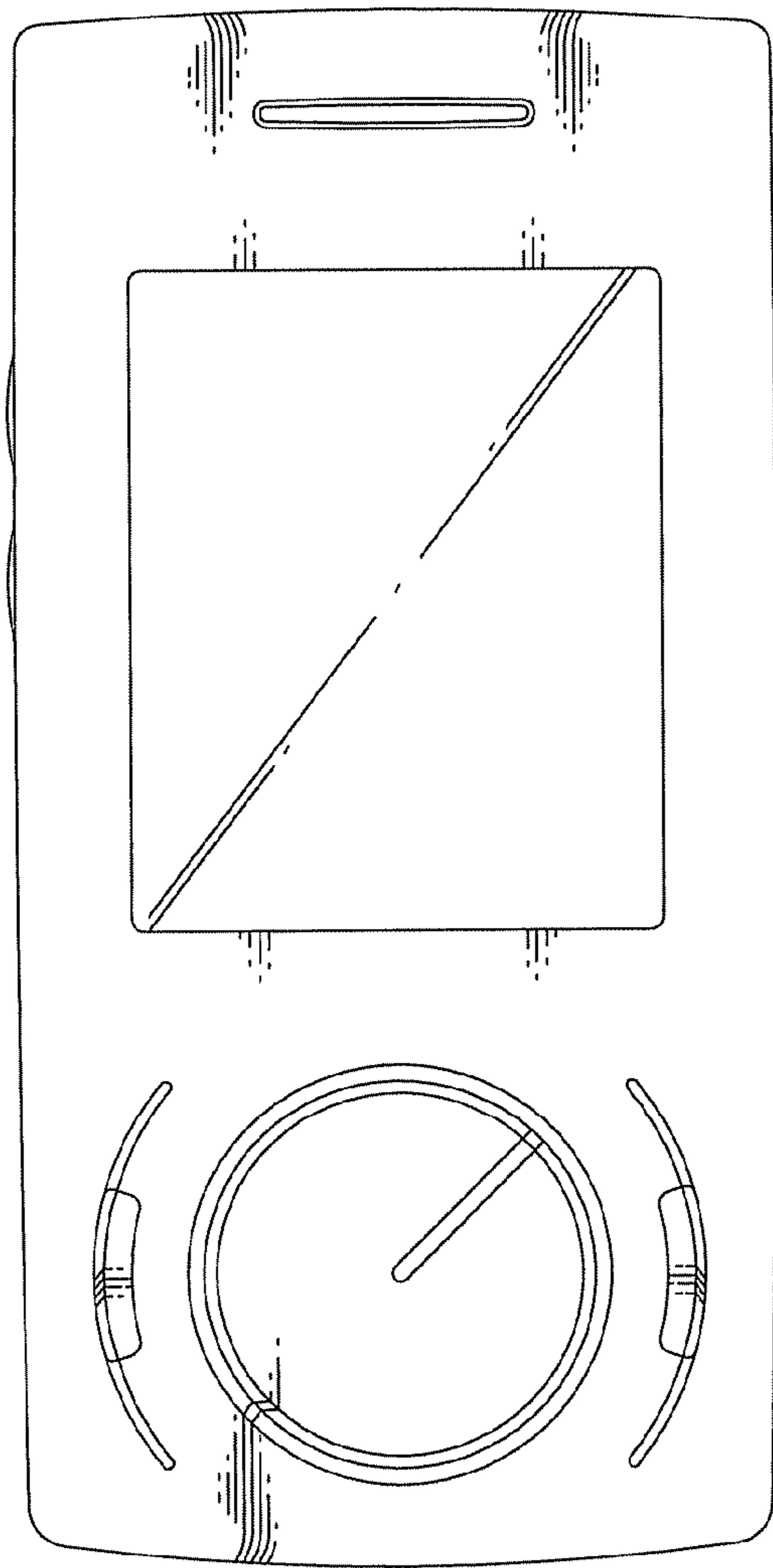


FIG. 3

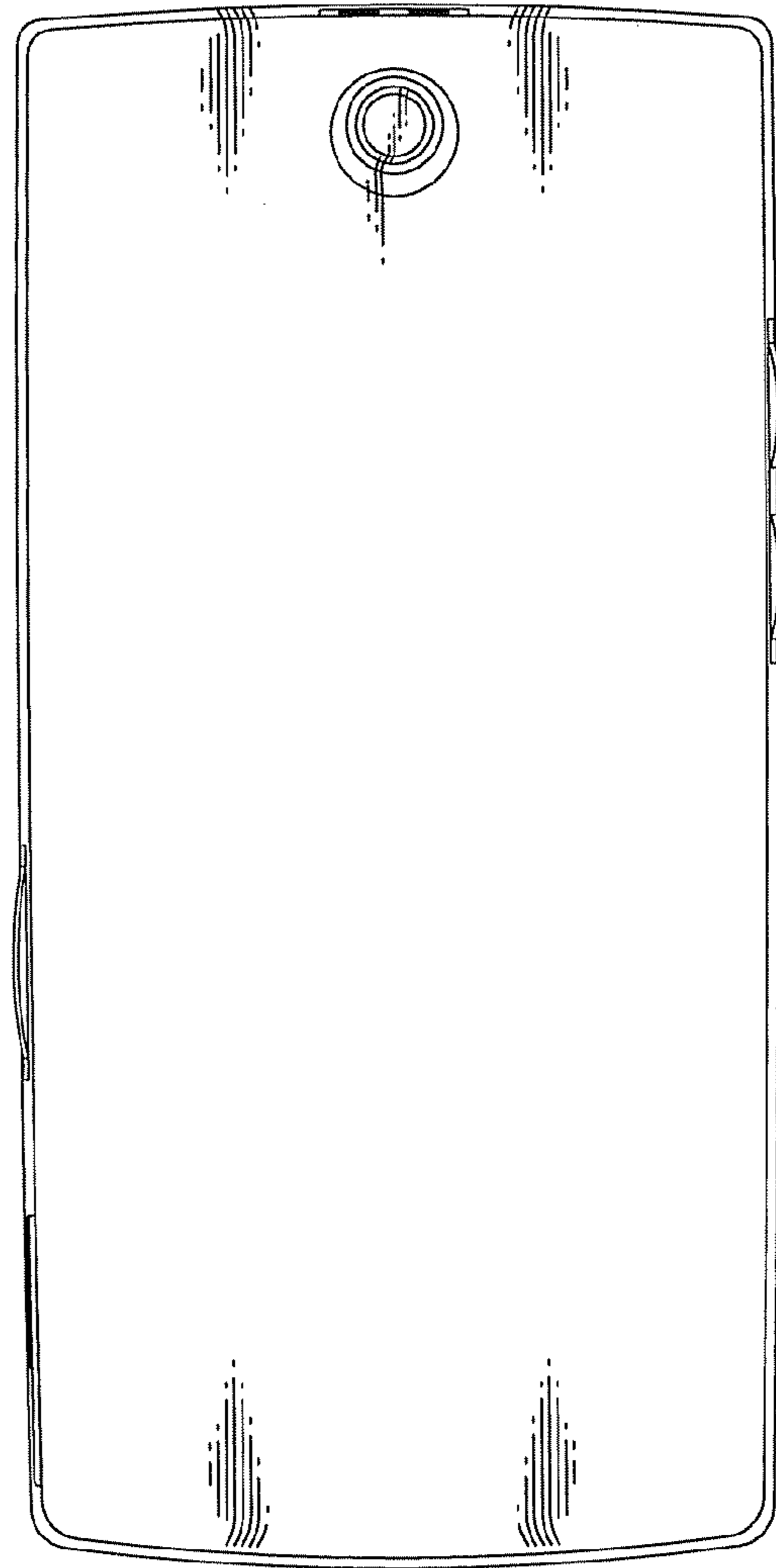


FIG. 4

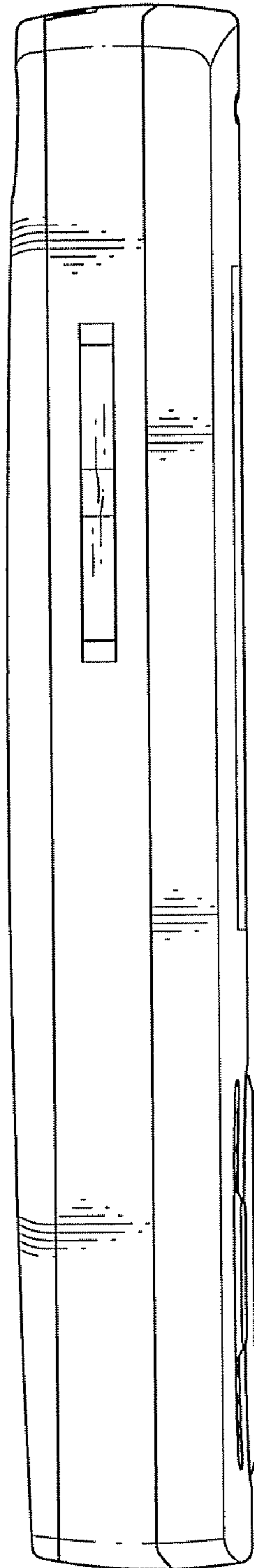


FIG. 5

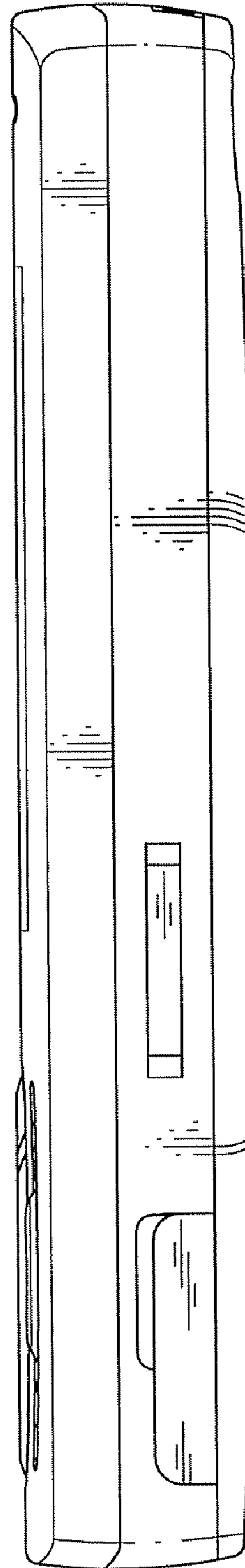


FIG. 6

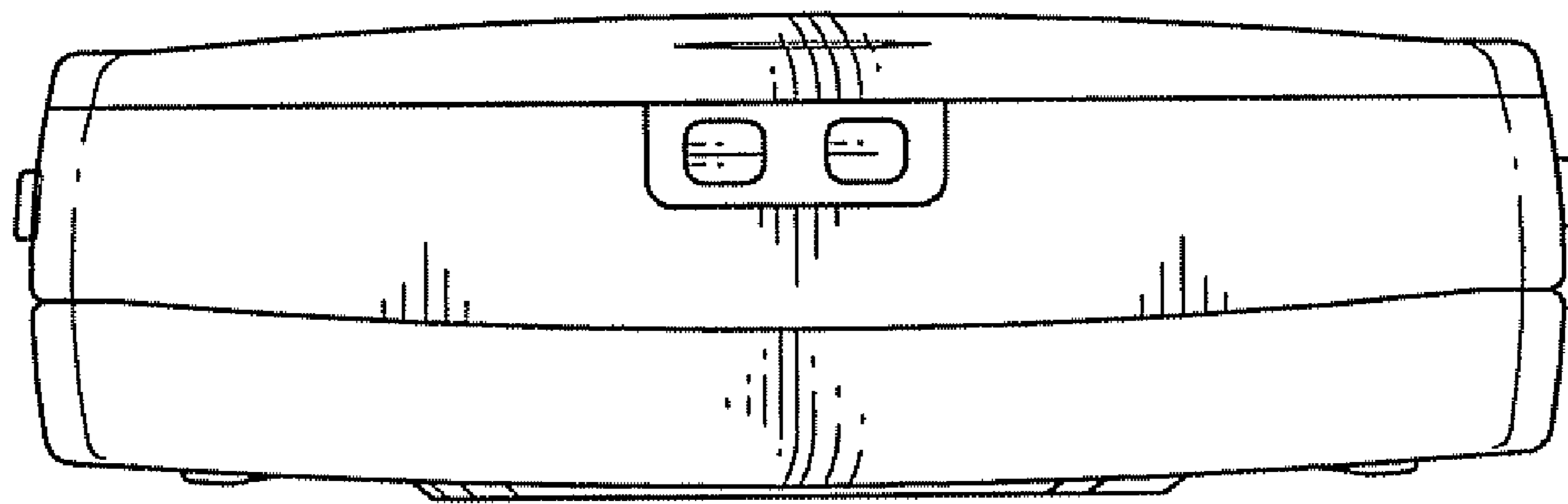


FIG. 7

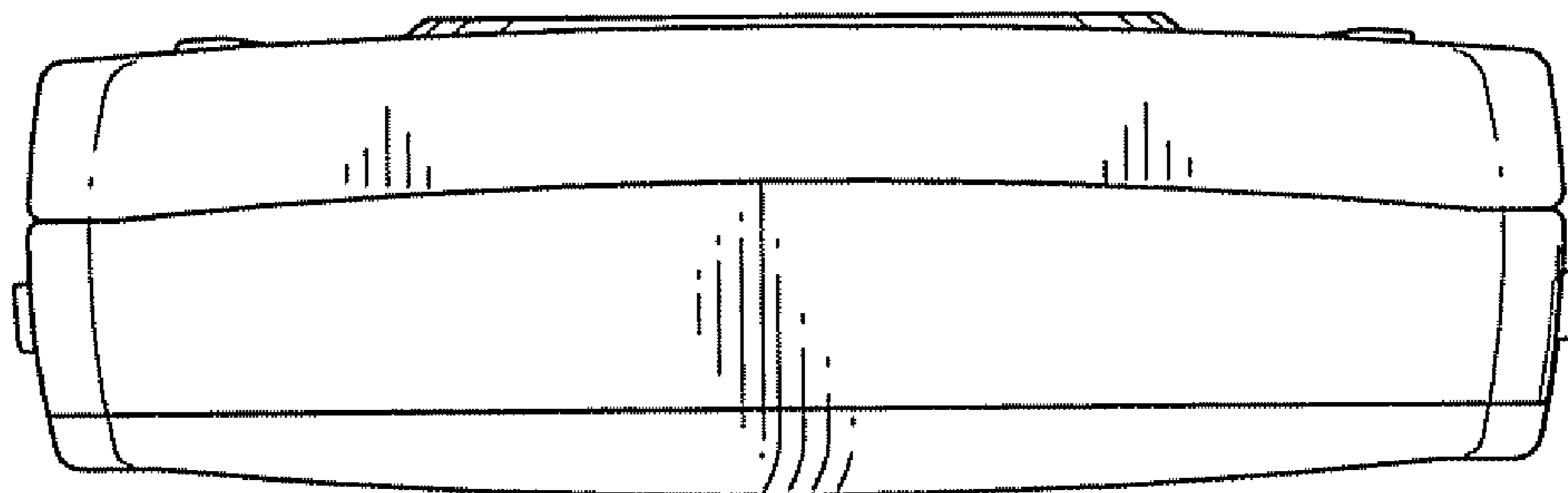


FIG. 8

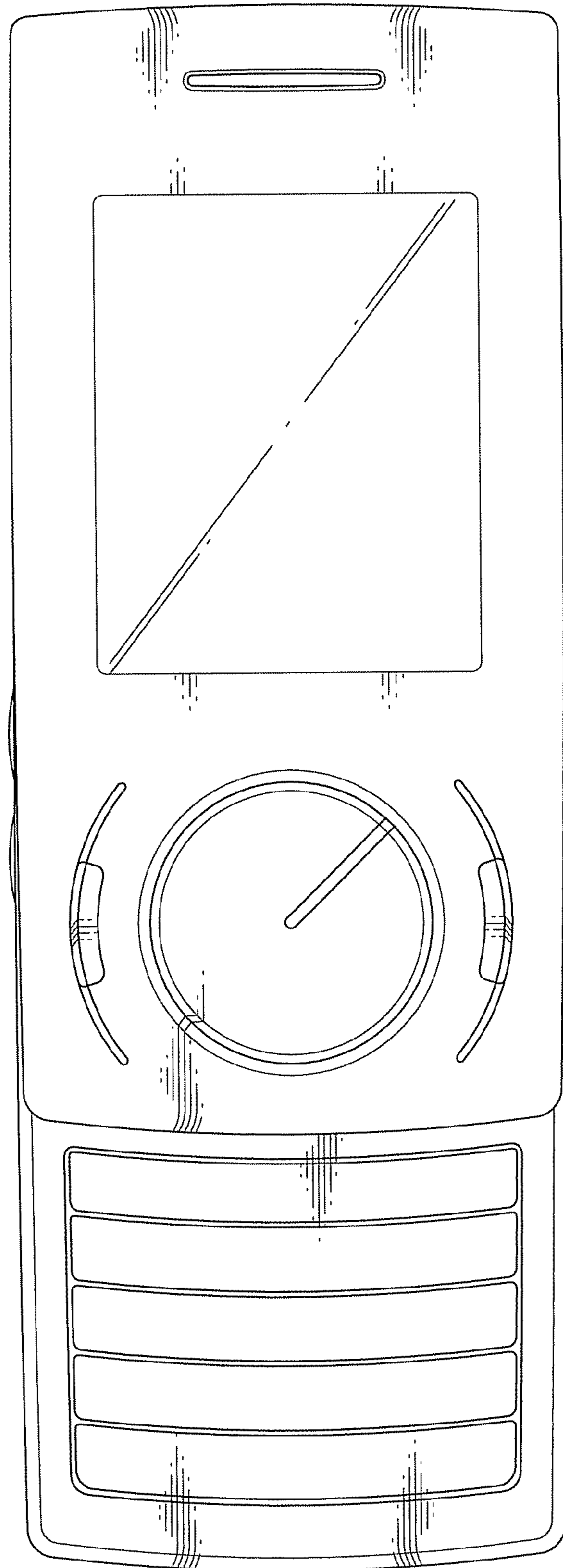


FIG. 9

