



US00D597505S

(12) **United States Design Patent**
Hirasawa et al.

(10) **Patent No.:** **US D597,505 S**

(45) **Date of Patent:** **** Aug. 4, 2009**

(54) **DISPLAY**

(75) Inventors: **Kenichi Hirasawa**, Tokyo (JP);
Tadayuki Ito, Tokyo (JP); **Chin-Jen Lin**, Taipei (TW)

(73) Assignee: **NEC Display Solutions, Ltd.**, Tokyo (JP)

(**) Term: **14 Years**

(21) Appl. No.: **29/321,623**

(22) Filed: **Jul. 21, 2008**

(30) **Foreign Application Priority Data**

Jan. 28, 2008 (JP) 2008-001603

(51) **LOC (9) Cl.** **14-03**

(52) **U.S. Cl.** **D14/126**

(58) **Field of Classification Search** D14/125-134,
D14/239, 371, 136, 374-377, 440, 450, 448,
D14/336, 342; 312/7.2; 348/836, 838, 180,
348/184, 325, 739; 341/12; 248/917-924,
248/465; 345/104, 133, 156, 168, 87, 173;
720/605, 669, 600, 655; 369/99, 197; 455/344,
455/347; D21/329, 515, 577, 622, 333, 433,
D21/448, 452, 450, 331; D6/477, 479, 300;
273/148 B; 446/484, 175, 356; D10/15,
D10/26

See application file for complete search history.

(56) **References Cited**

U.S. PATENT DOCUMENTS

D434,738 S * 12/2000 Takemasa D14/133
D469,432 S * 1/2003 Tsuji D14/375
D517,549 S * 3/2006 Depay D14/375
D517,551 S * 3/2006 Kim et al. D14/375
D529,498 S * 10/2006 Chen et al. D14/375

D540,321 S * 4/2007 Hasegawa et al. D14/375
D541,773 S * 5/2007 Chong et al. D14/126
D550,222 S * 9/2007 Park D14/375
D554,120 S * 10/2007 Hasegawa et al. D14/375
D556,709 S * 12/2007 Kim et al. D14/126
D558,200 S * 12/2007 Tsai D14/375
D578,529 S * 10/2008 Huang et al. D14/375
D578,530 S * 10/2008 Hasegawa et al. D14/375
2004/0113031 A1 * 6/2004 Sung 248/917

* cited by examiner

Primary Examiner—Raphael Barkai

(74) *Attorney, Agent, or Firm*—Sughrue Mion, PLLC

(57) **CLAIM**

The ornamental design for a display, as shown and described.

DESCRIPTION

FIG. 1 is a front, right side, top perspective view of a display showing our new design;

FIG. 2 is a front elevational view thereof;

FIG. 3 is a rear elevational view thereof;

FIG. 4 is a left side view thereof;

FIG. 5 is a right side view thereof;

FIG. 6 is a top plan view thereof;

FIG. 7 is a bottom plan view thereof;

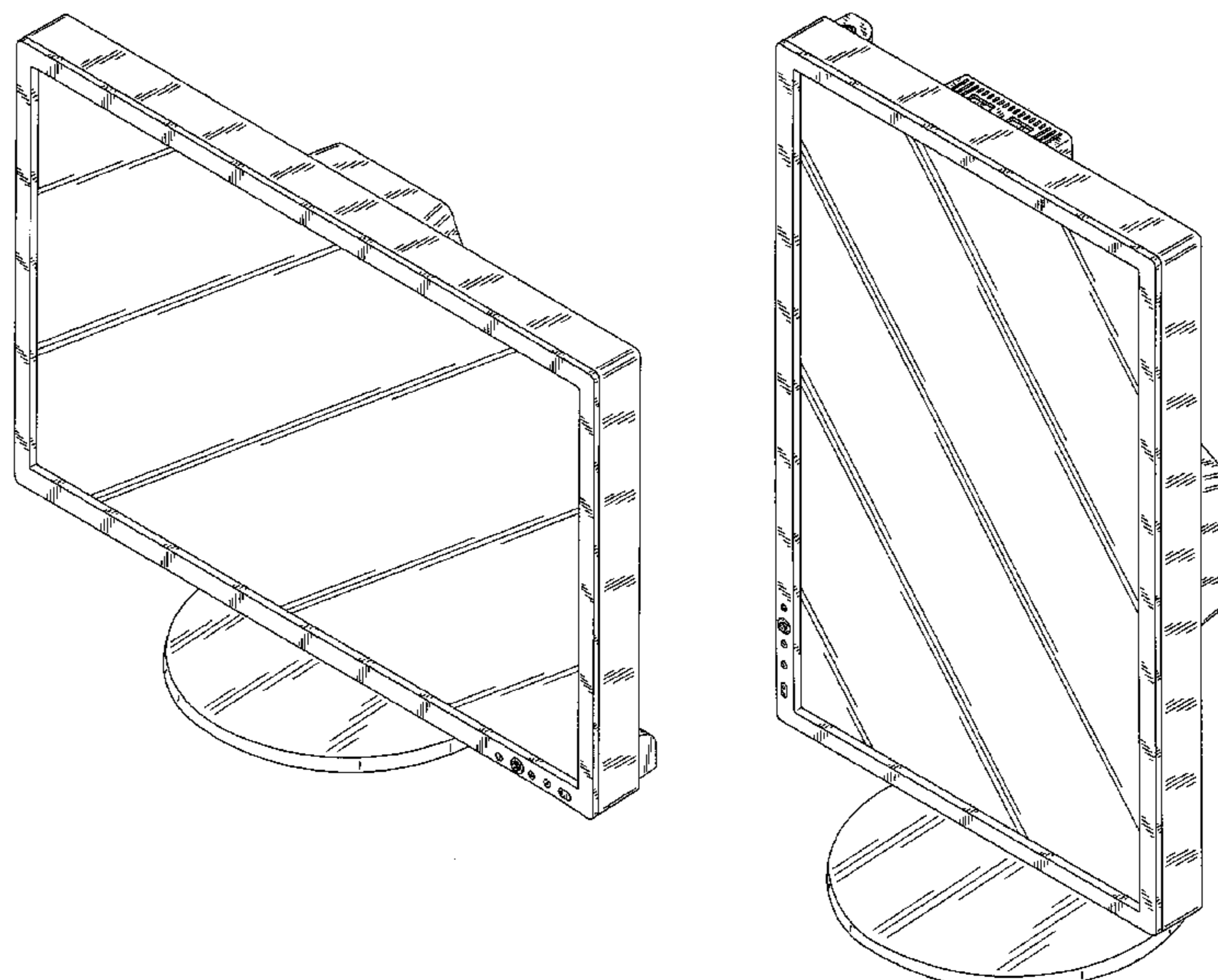
FIG. 8 is a perspective view thereof showing a state in which the leg part is extended;

FIG. 9 is a rear elevational view thereof showing a state in which the leg part is extended;

FIG. 10 is a right side view thereof showing a state in which the leg part is extended; and,

FIG. 11 is a perspective view thereof showing a state in which the leg part is extended and the display portion is rotated.

1 Claim, 10 Drawing Sheets



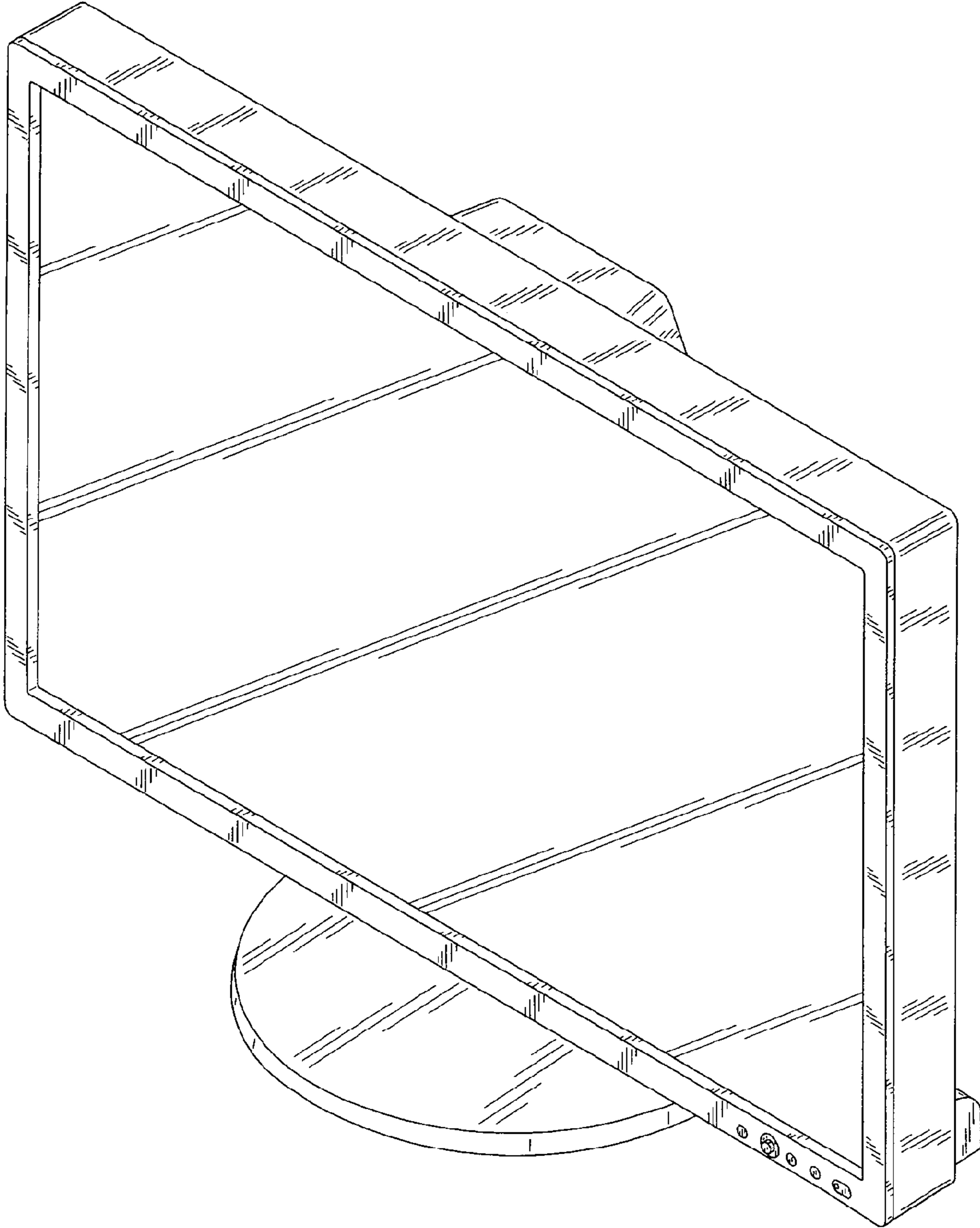


FIG. 1

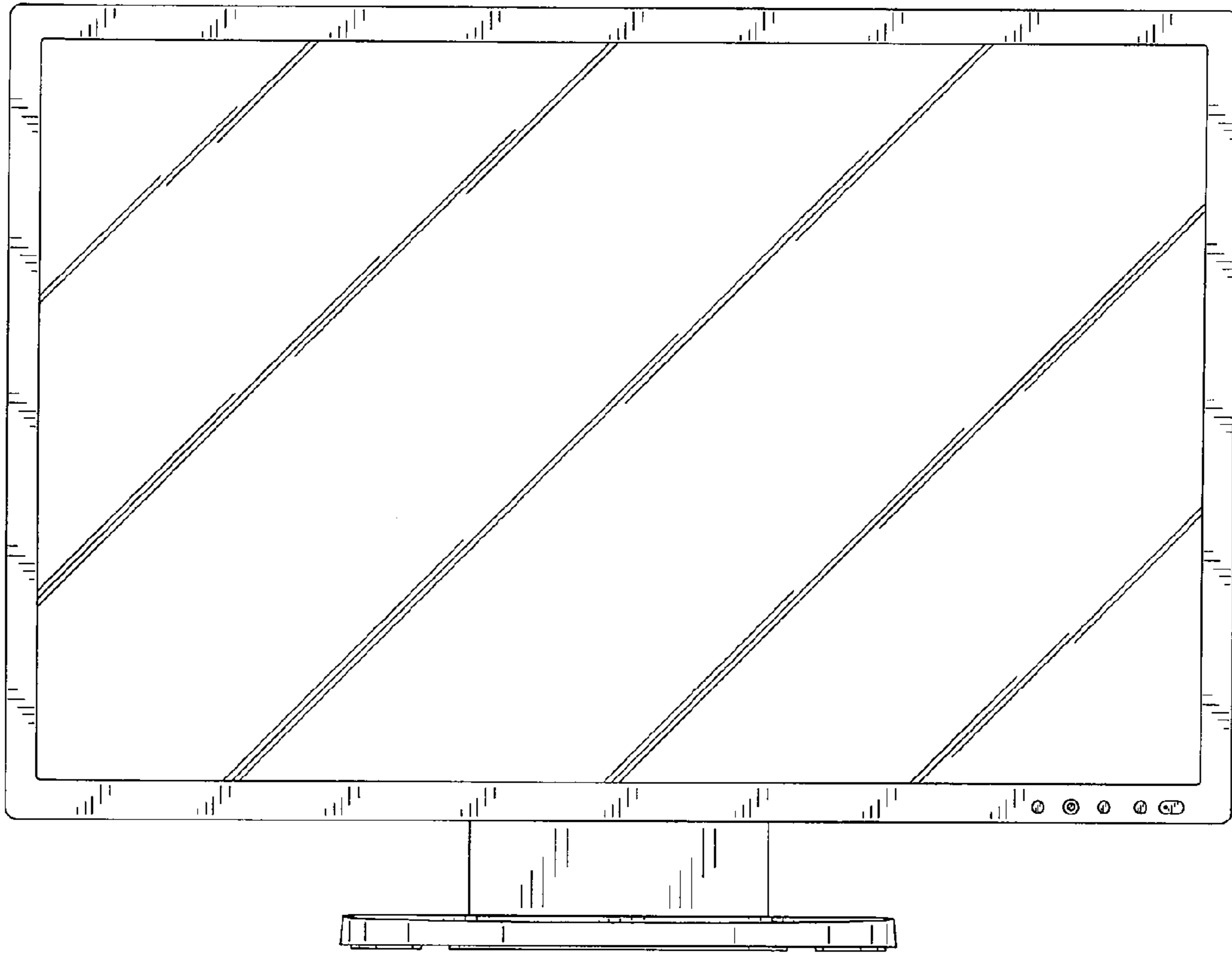


FIG. 2

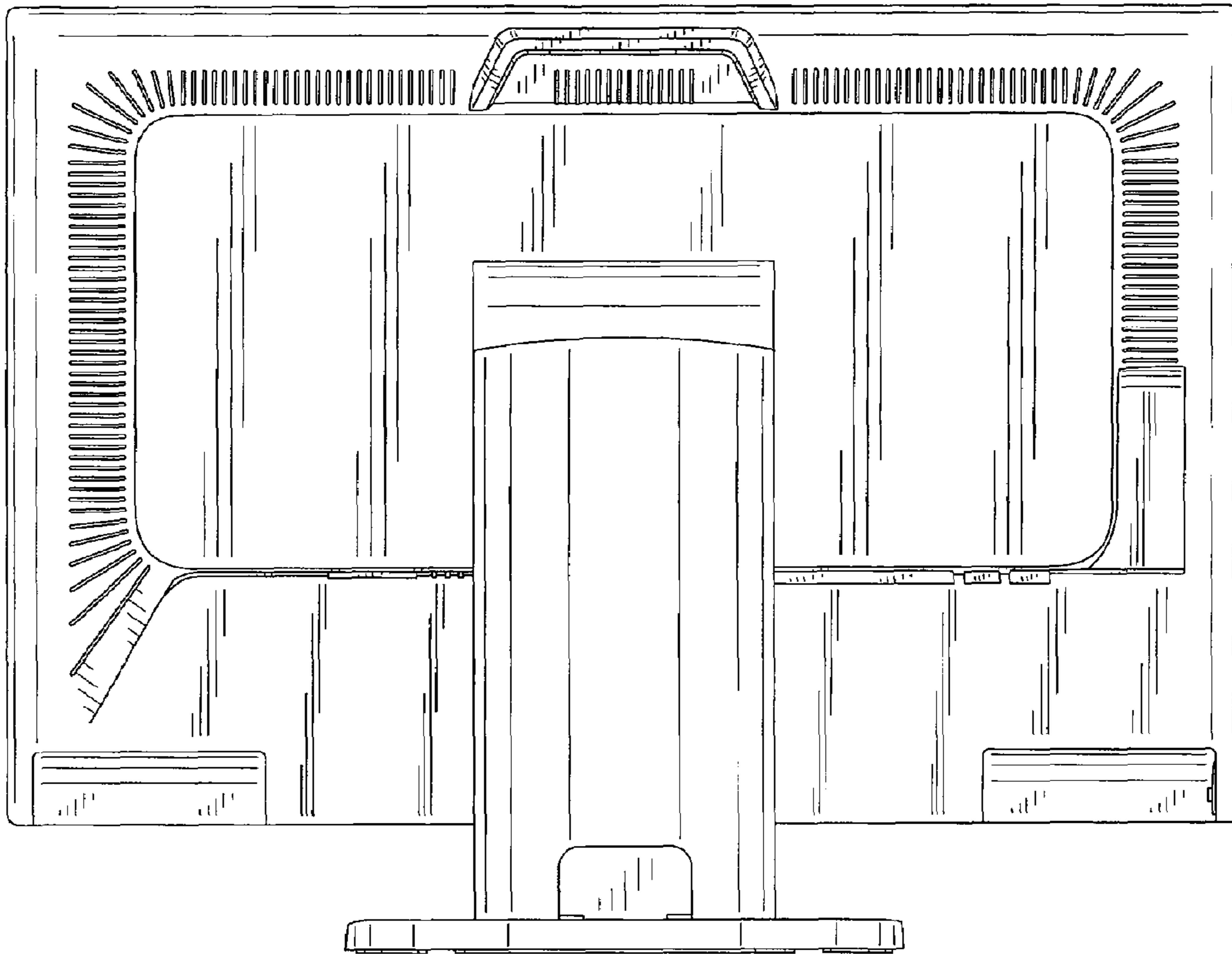


FIG. 3

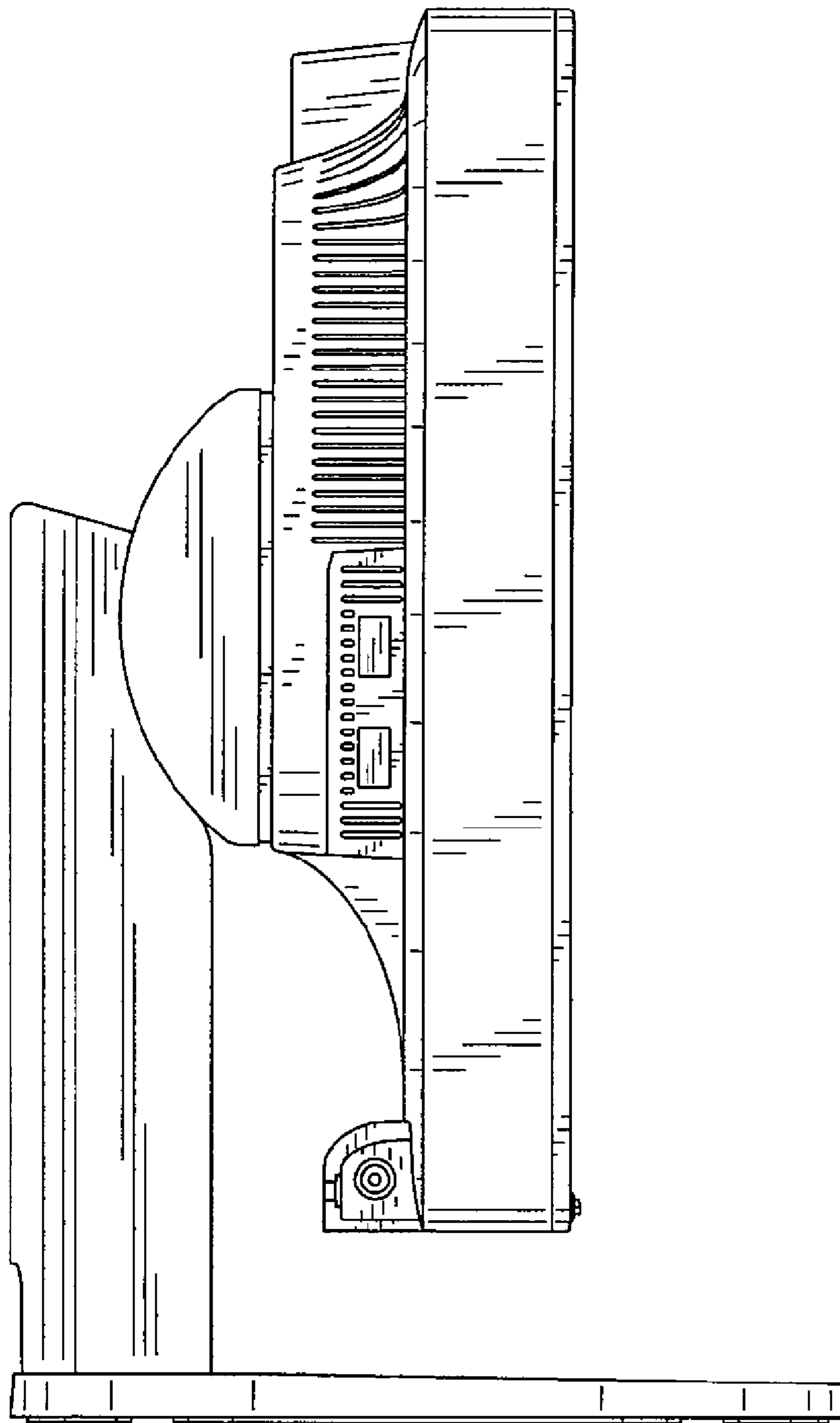


FIG. 4

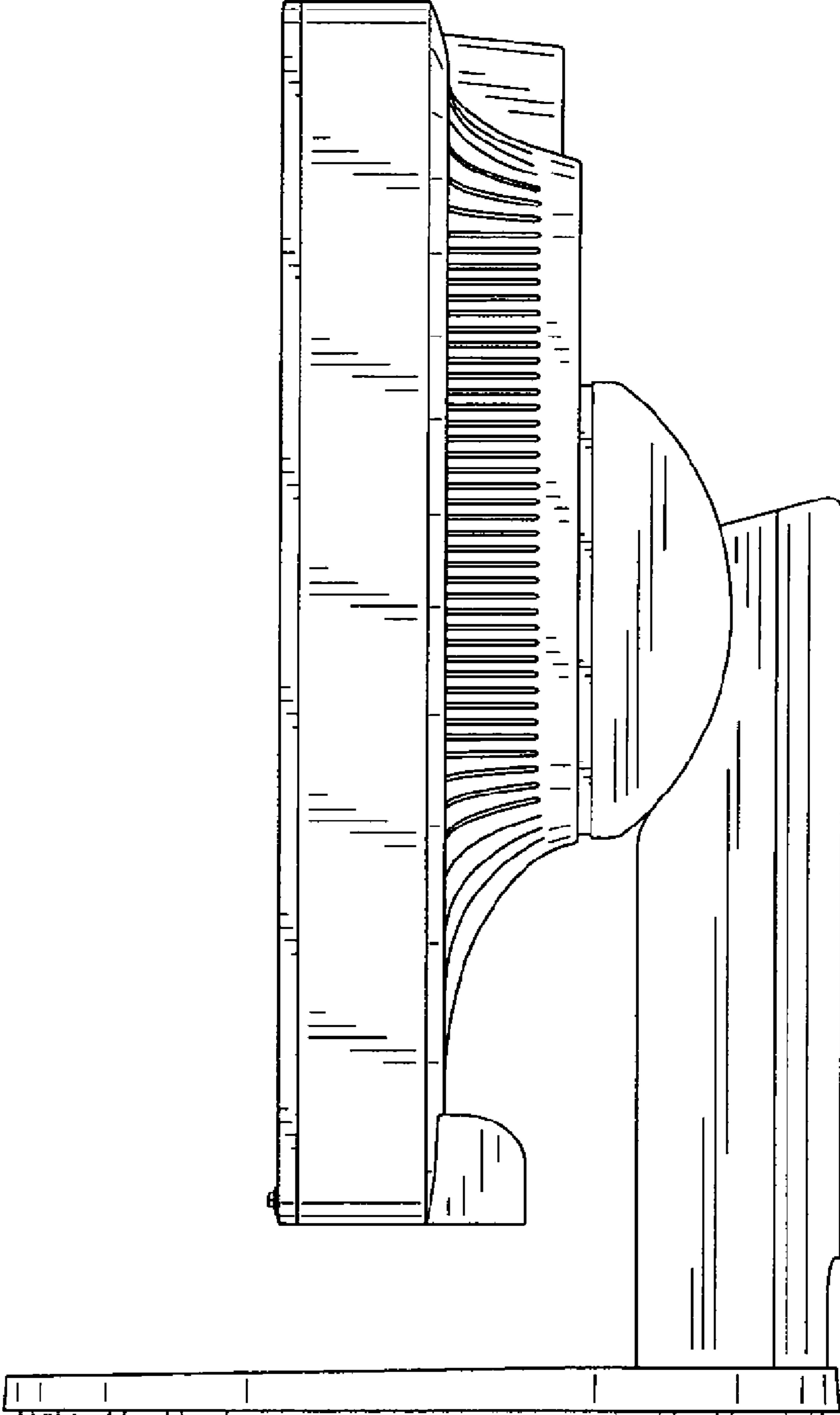


FIG. 5

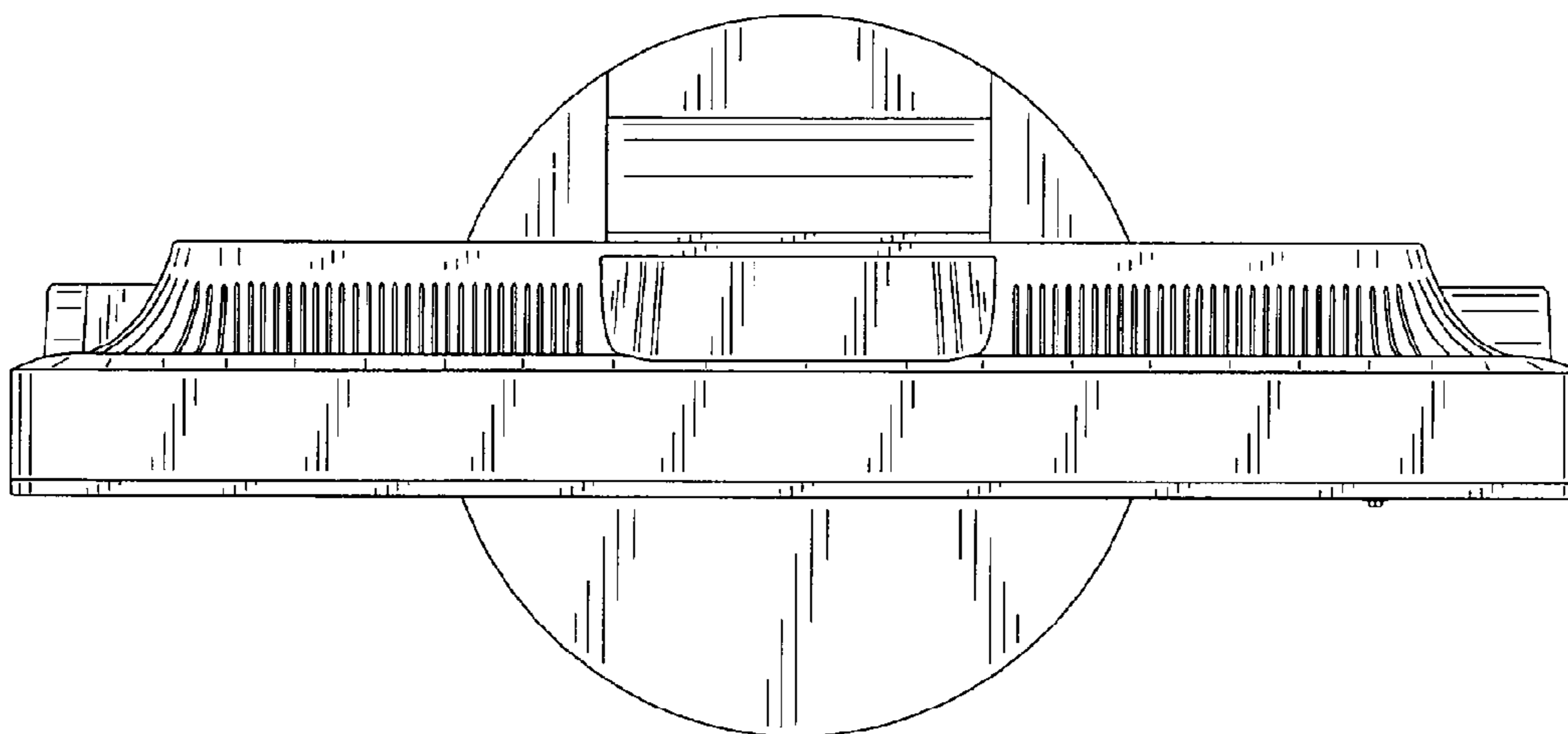


FIG. 6

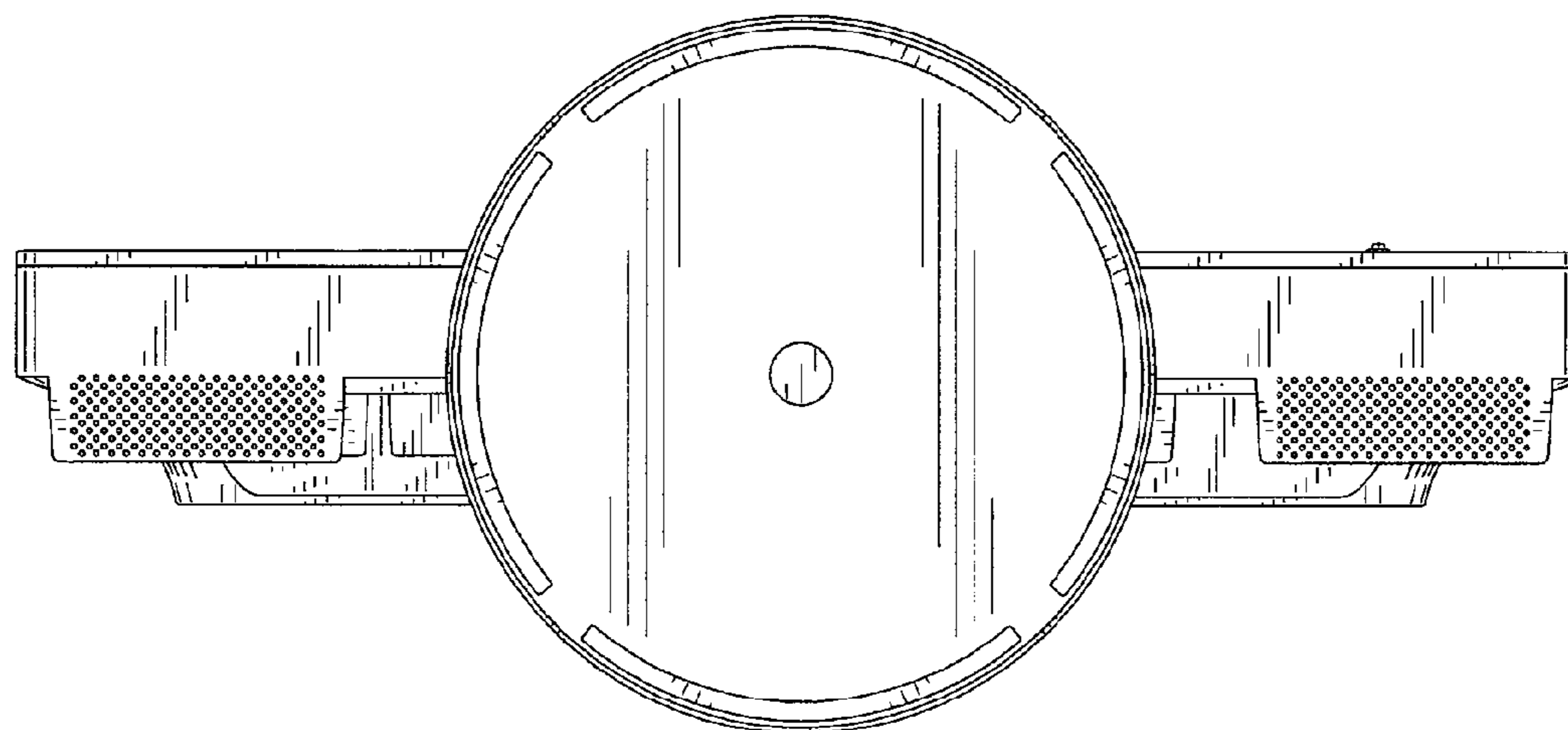


FIG. 7

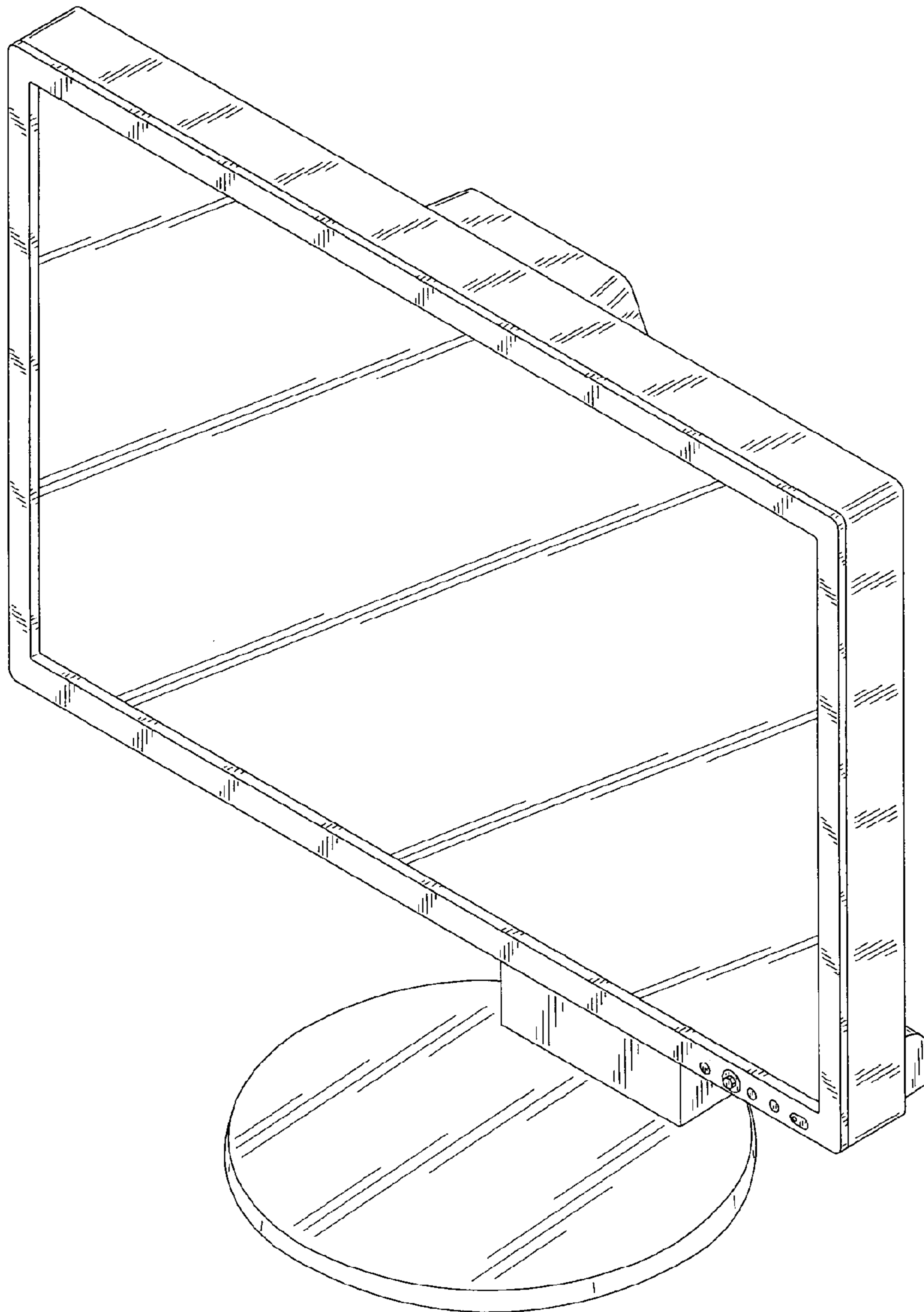


FIG. 8

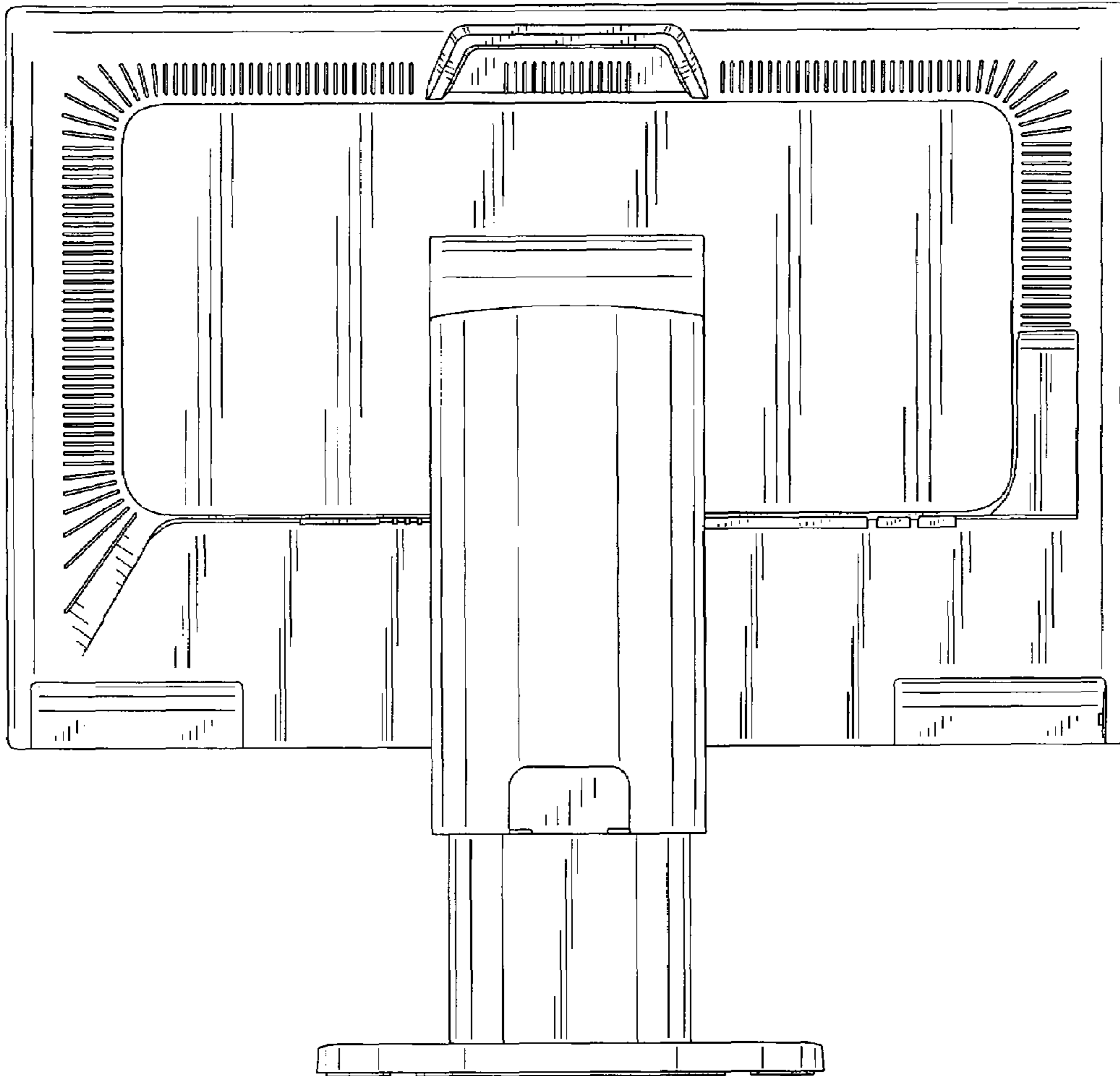


FIG. 9

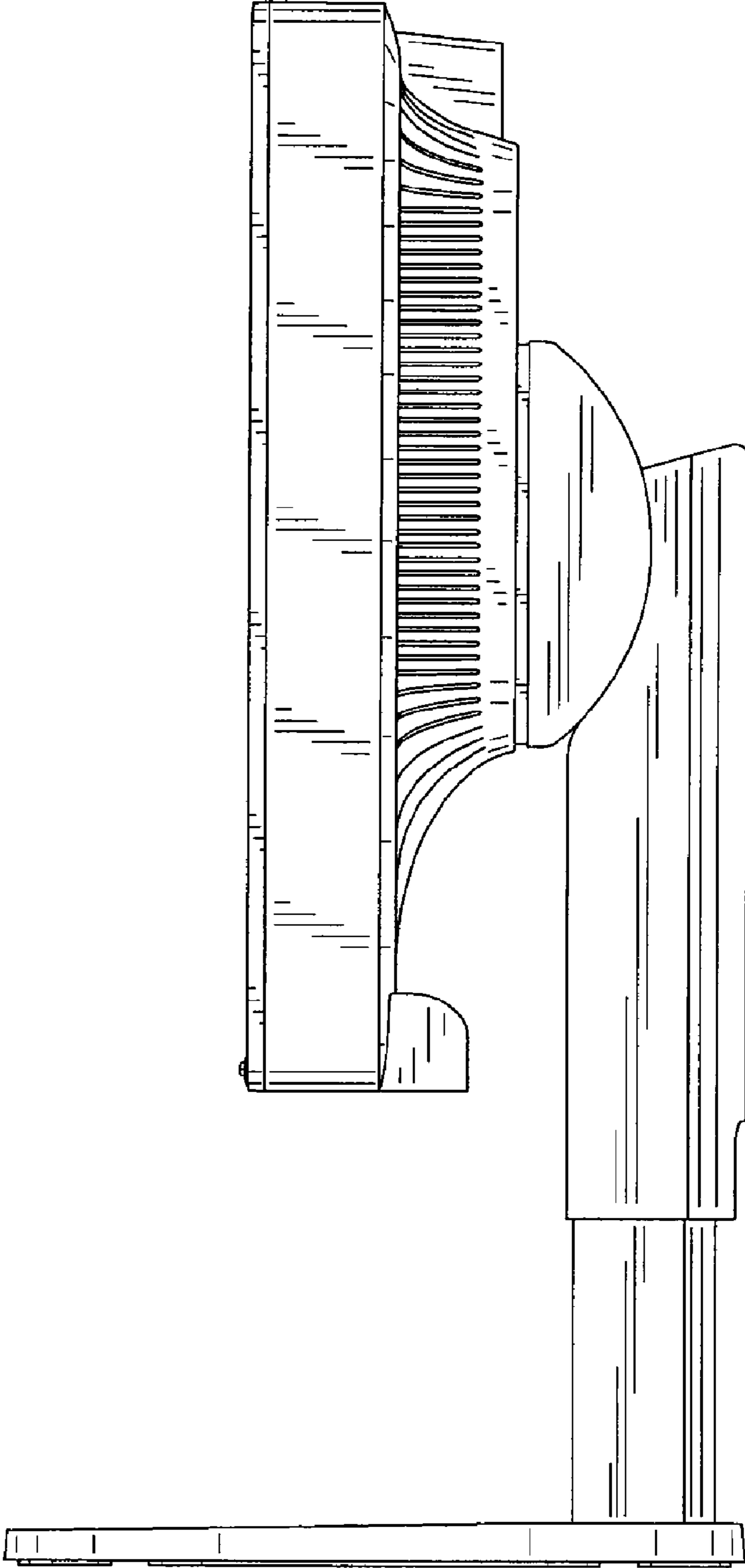


FIG. 10

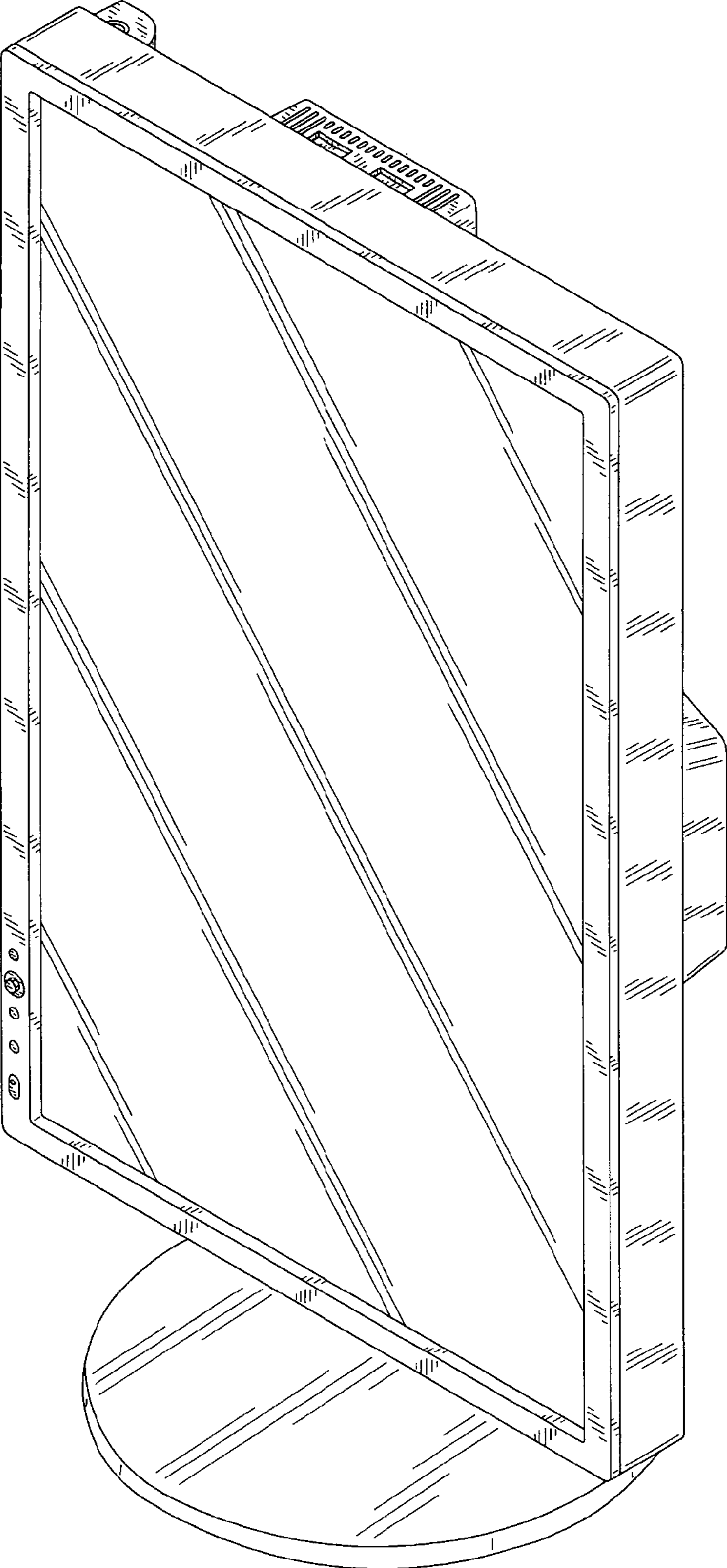


FIG. 11