



US00D597503S

(12) **United States Design Patent**
Maglica

(10) **Patent No.:** **US D597,503 S**

(45) **Date of Patent:** **** Aug. 4, 2009**

(54) **LED MODULE**

(75) Inventor: **Anthony Maglica**, Ontario, CA (US)

(73) Assignee: **MAG Instrument, Inc.**, Ontario, CA (US)

(**) Term: **14 Years**

(21) Appl. No.: **29/251,674**

(22) Filed: **Jan. 10, 2006**

(51) **LOC (9) Cl.** **13-03**

(52) **U.S. Cl.** **D13/182; D26/1**

(58) **Field of Classification Search** D26/1,
D26/8, 37, 40, 46, 49; 362/555, 800; D13/144;
D27/139, 141-142, 152

See application file for complete search history.

(56) **References Cited**

U.S. PATENT DOCUMENTS

1,487,983 A * 3/1924 Stiriss 362/206
D336,689 S * 6/1993 Hung D26/49

D403,093 S * 12/1998 Tseng D26/38
D404,155 S * 1/1999 Maddox D26/37
D528,236 S * 9/2006 Strom et al. D26/37
7,163,318 B2 * 1/2007 Panagotacos et al. 362/294

* cited by examiner

Primary Examiner—Ian Simmons

Assistant Examiner—Dana L Sipos

(74) *Attorney, Agent, or Firm*—Jones Day

(57) **CLAIM**

The ornamental design for an LED module, as shown and described.

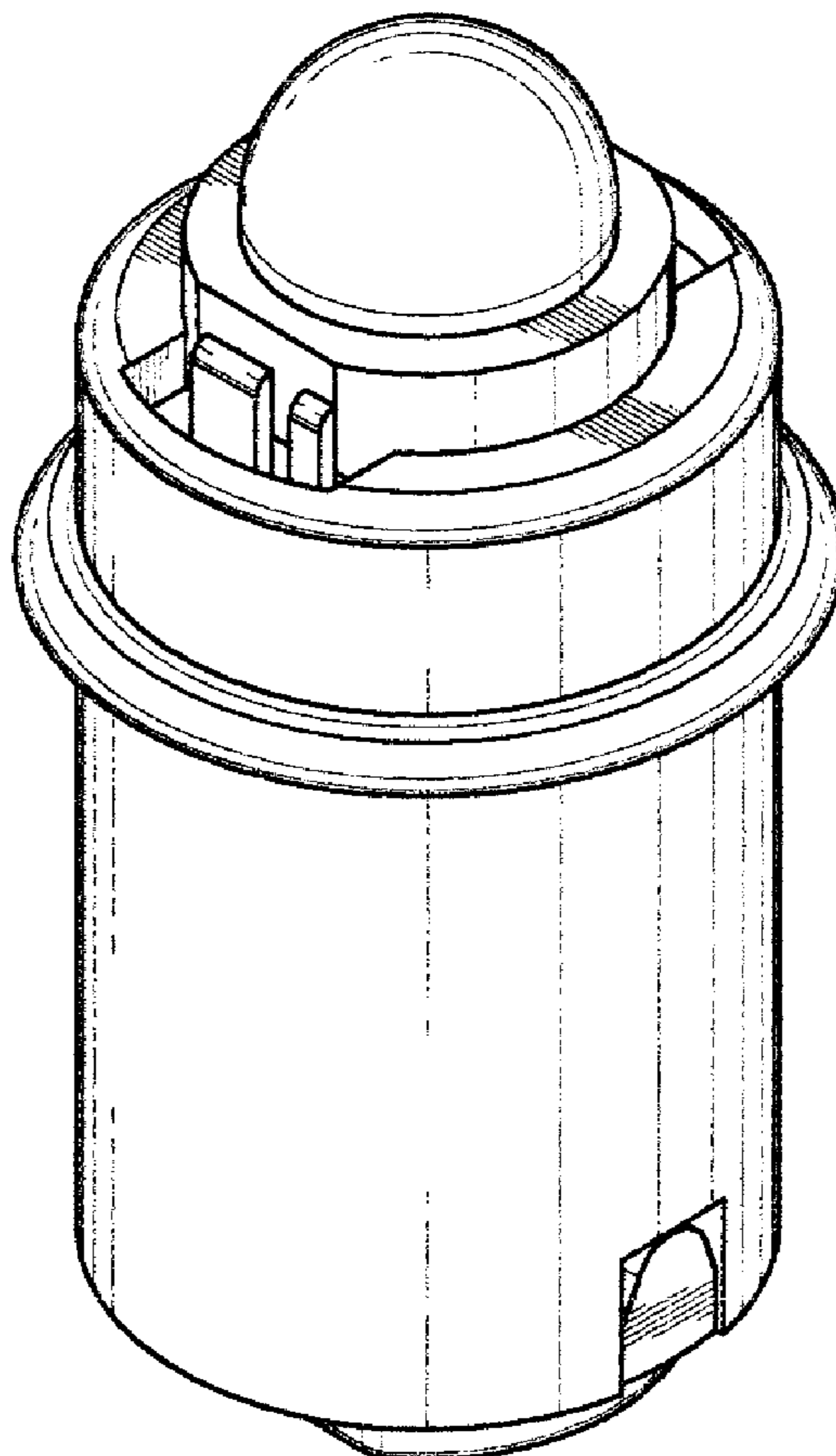
DESCRIPTION

FIG. 1 is a top perspective view of an LED module showing my new design;

FIG. 2 is a side elevation view thereof; and,

FIG. 3 is a top plan view thereof, in which the broken lines represent portions of the design which form no part of the claim.

1 Claim, 2 Drawing Sheets



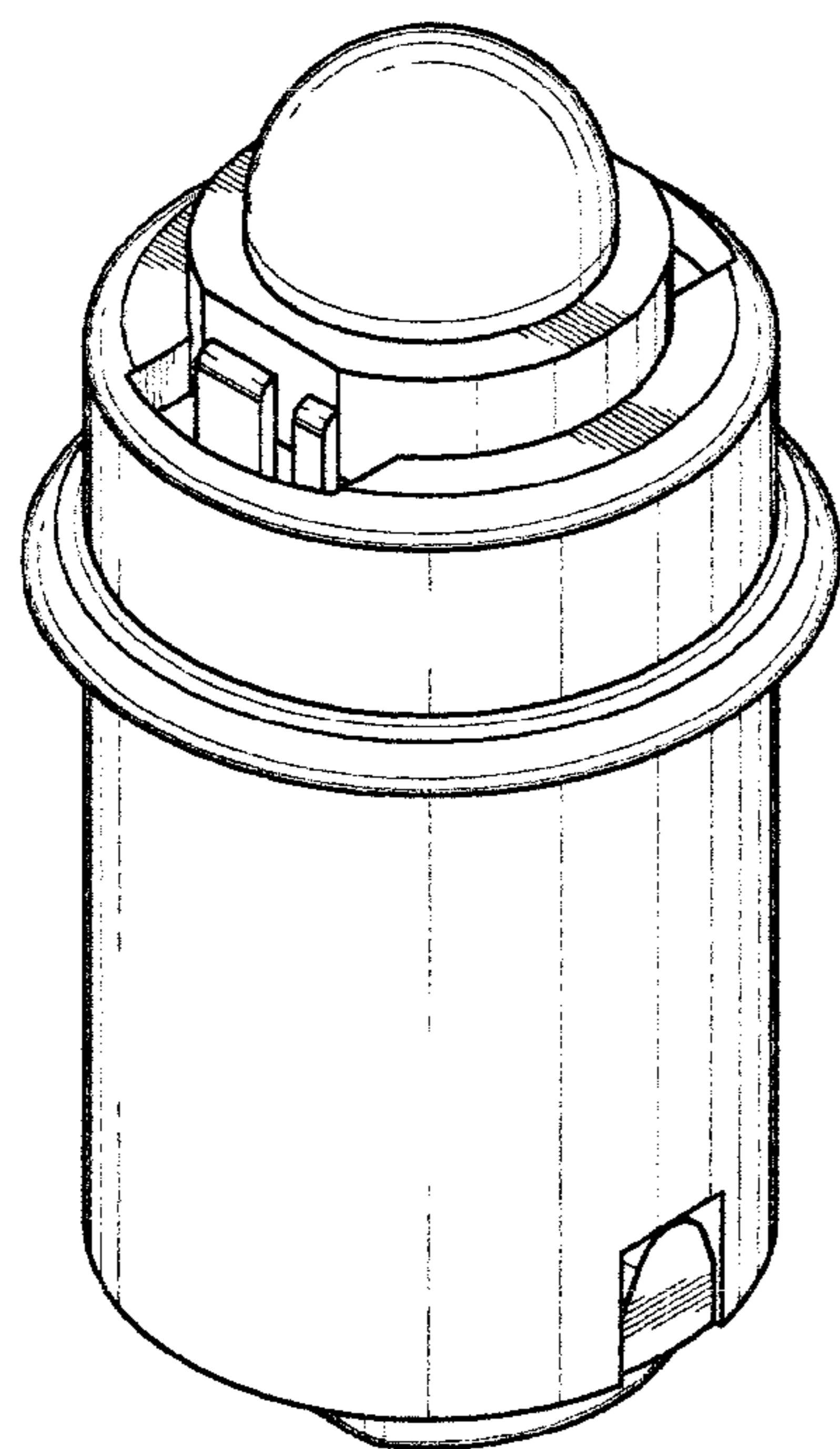


FIG. 1

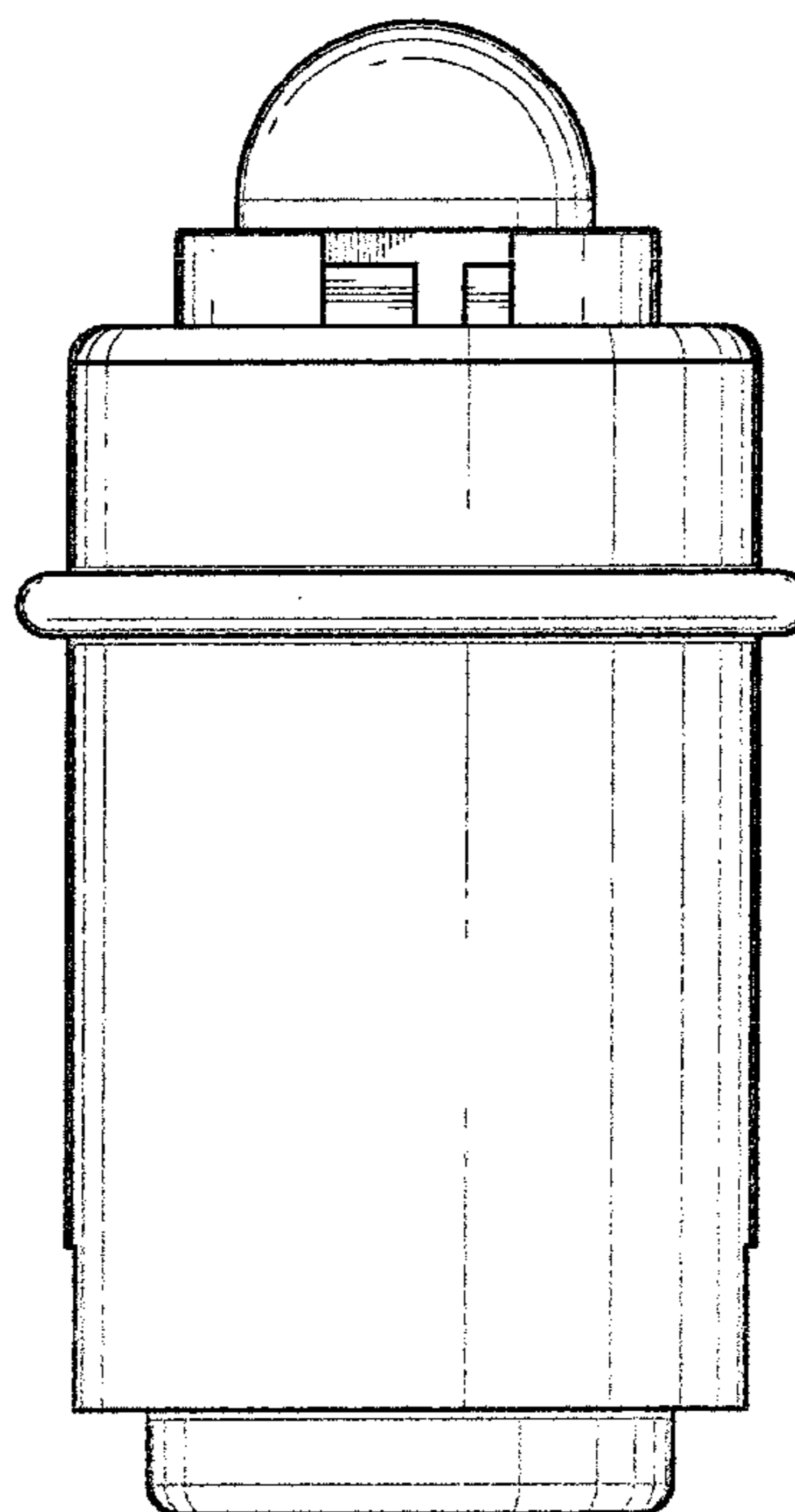


FIG. 2

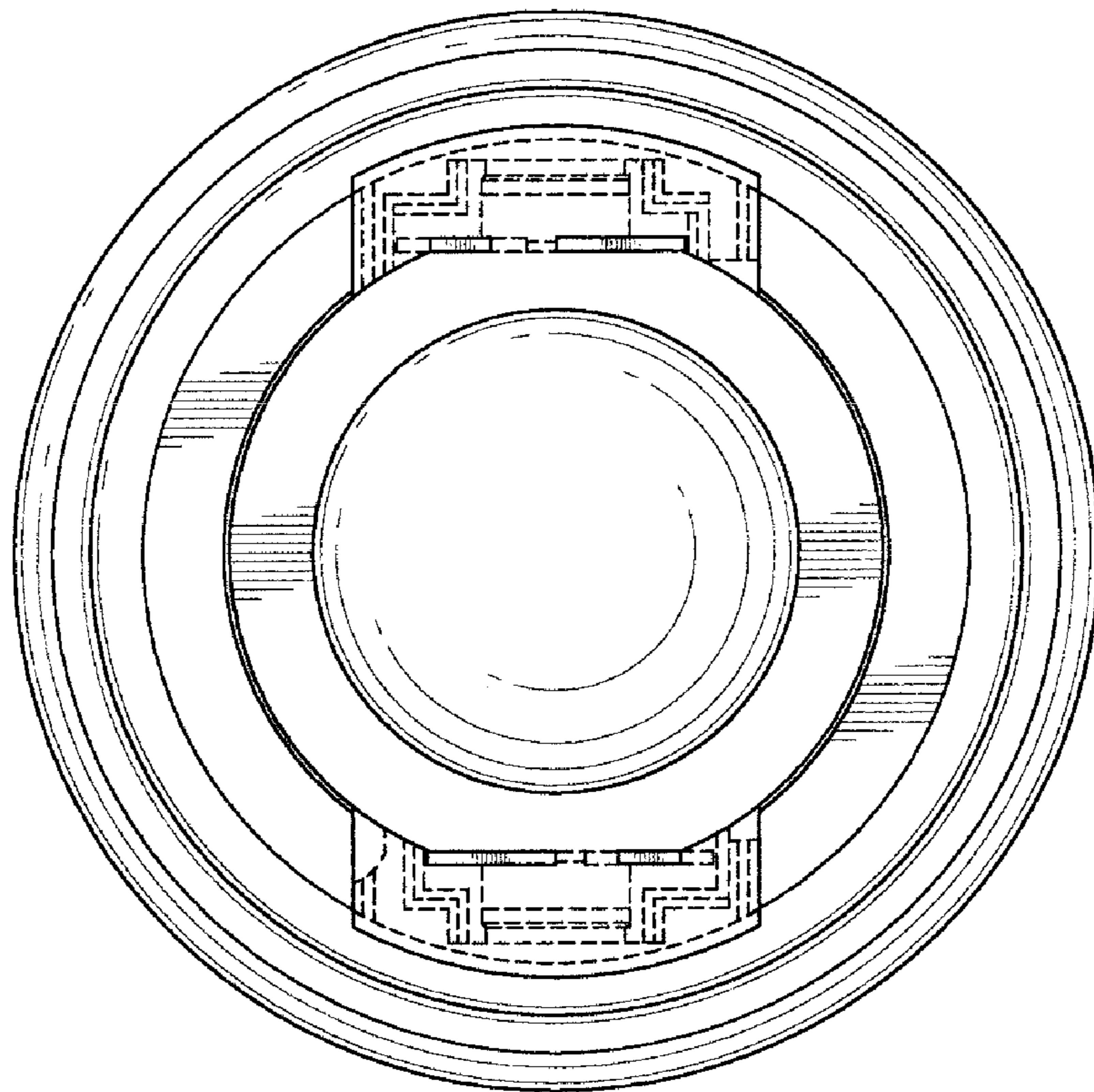


FIG. 3