



US00D597500S

(12) **United States Design Patent**  
**Sung et al.**

(10) **Patent No.:** **US D597,500 S**

(45) **Date of Patent:** **\*\* Aug. 4, 2009**

(54) **LIGHT EMITTING DIODE**

(75) Inventors: **Jae-Hun Sung**, Seoul (KR); **Chi-Ok In**,  
Chungcheongnam-do (KR)

(73) Assignee: **Alti-Electronics Co., Ltd** (KR)

(\*\*) Term: **14 Years**

(21) Appl. No.: **29/323,941**

(22) Filed: **Sep. 3, 2008**

(30) **Foreign Application Priority Data**

Mar. 6, 2008 (KR) ..... 30-2008-0009618

(51) **LOC (9) Cl.** ..... **13-03**

(52) **U.S. Cl.** ..... **D13/180**

(58) **Field of Classification Search** ..... D13/180;  
D26/2; 257/79, 80, 81, 88, 89, 95, 98, 99,  
257/100; 313/483, 498, 500; 362/555, 800  
See application file for complete search history.

(56) **References Cited**

**U.S. PATENT DOCUMENTS**

D562,272 S \* 2/2008 Su et al. .... D13/180  
D568,834 S \* 5/2008 Nishida et al. .... D13/180  
D578,083 S \* 10/2008 Shimonishi et al. .... D13/180

D580,891 S \* 11/2008 Sung et al. .... D13/180  
7,445,354 B2 \* 11/2008 Aoki et al. .... 362/241  
2006/0163602 A1 \* 7/2006 Isokawa ..... 257/100  
2007/0063213 A1 \* 3/2007 Hsieh et al. .... 257/99  
2008/0151557 A1 \* 6/2008 Su et al. .... 362/362

\* cited by examiner

*Primary Examiner*—Selina Sikder

(74) *Attorney, Agent, or Firm*—The Farrell Law Firm, LLP

(57) **CLAIM**

The ornamental design for a light emitting diode, as shown and described.

**DESCRIPTION**

FIG. 1 is a perspective view of a light emitting diode showing our new design;

FIG. 2 is a front elevational view thereof;

FIG. 3 is a rear elevational view thereof;

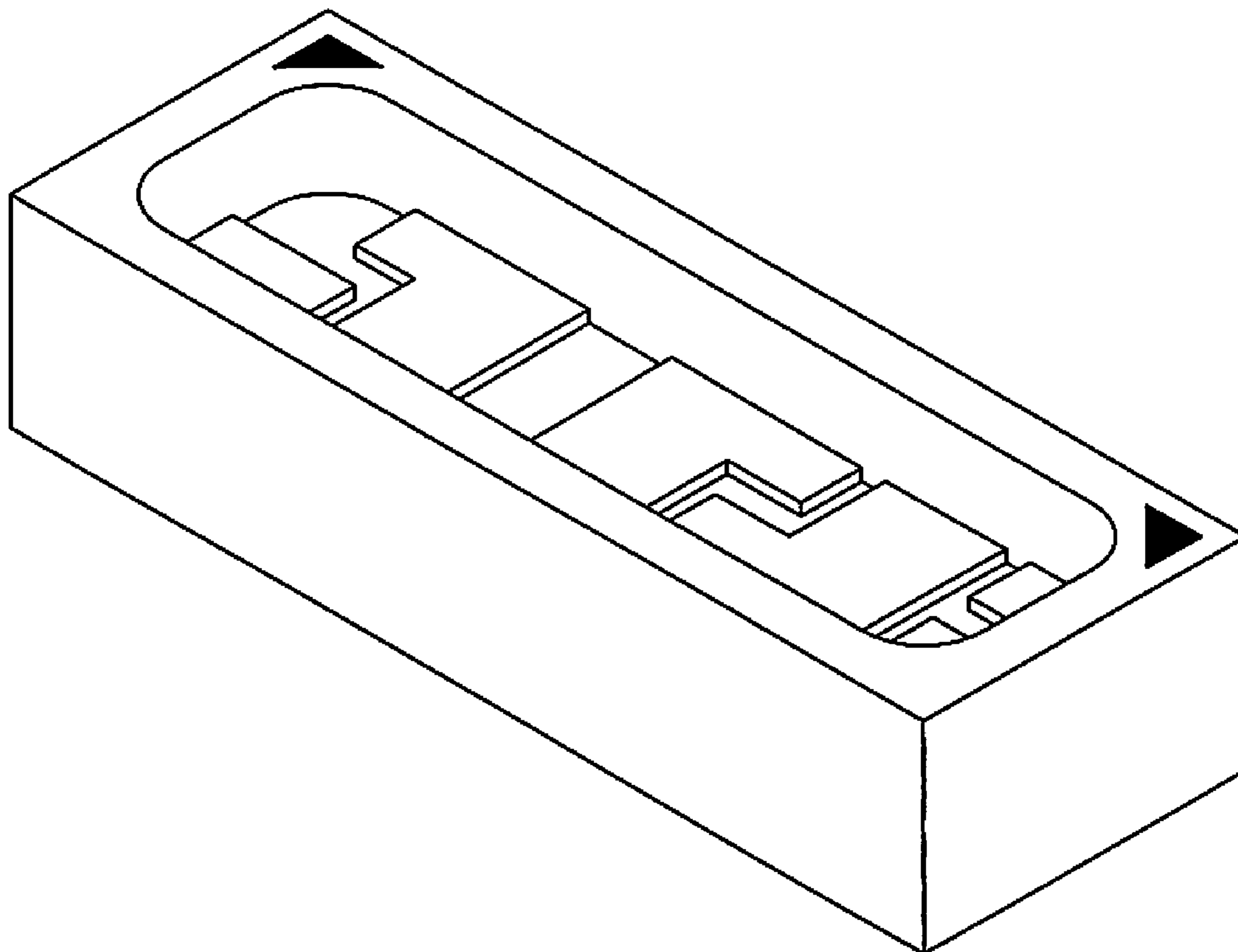
FIG. 4 is a left side elevational view thereof;

FIG. 5 is a right side elevational view thereof;

FIG. 6 is a top plan view thereof; and,

FIG. 7 is a bottom plan view thereof.

**1 Claim, 7 Drawing Sheets**



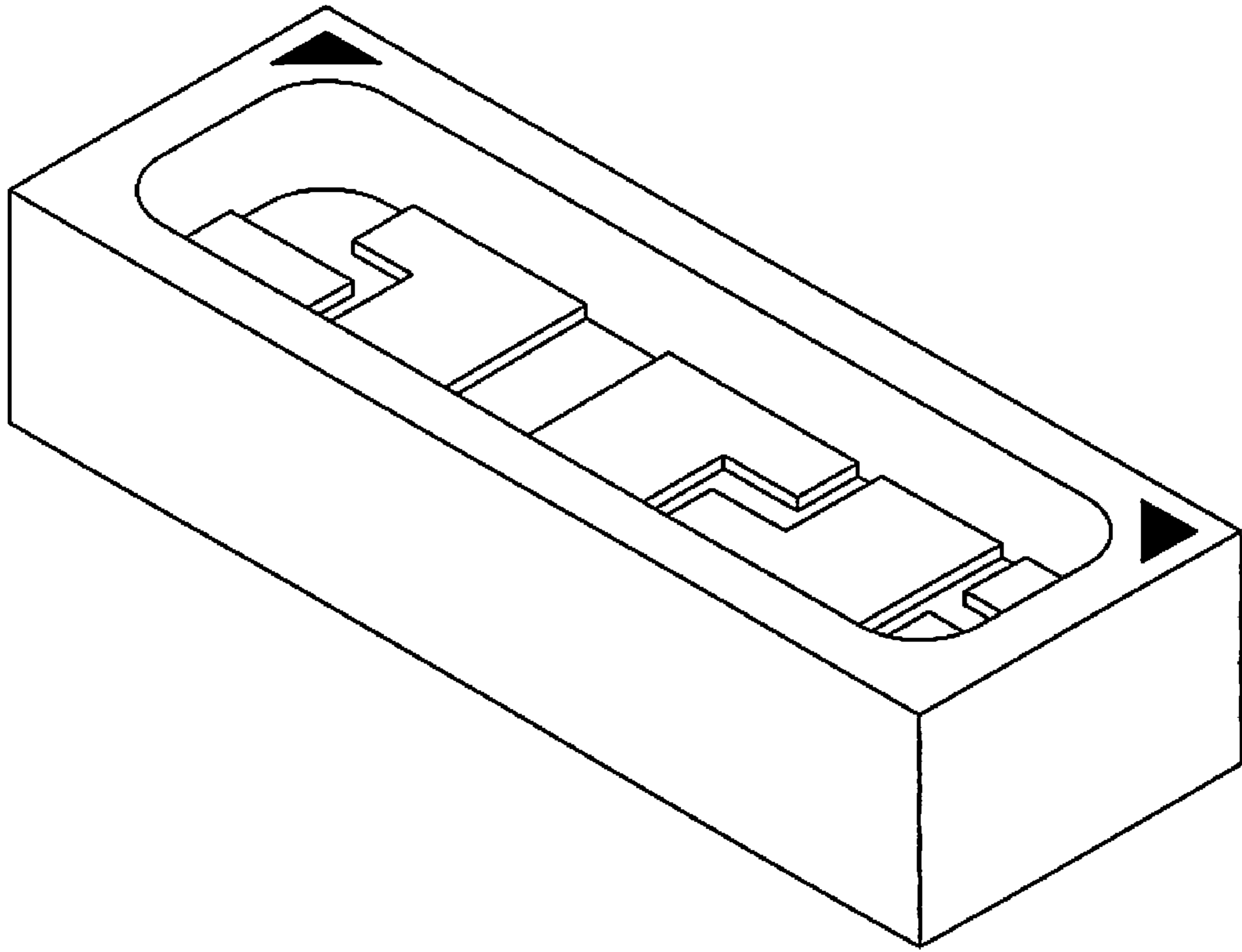


FIG. 1

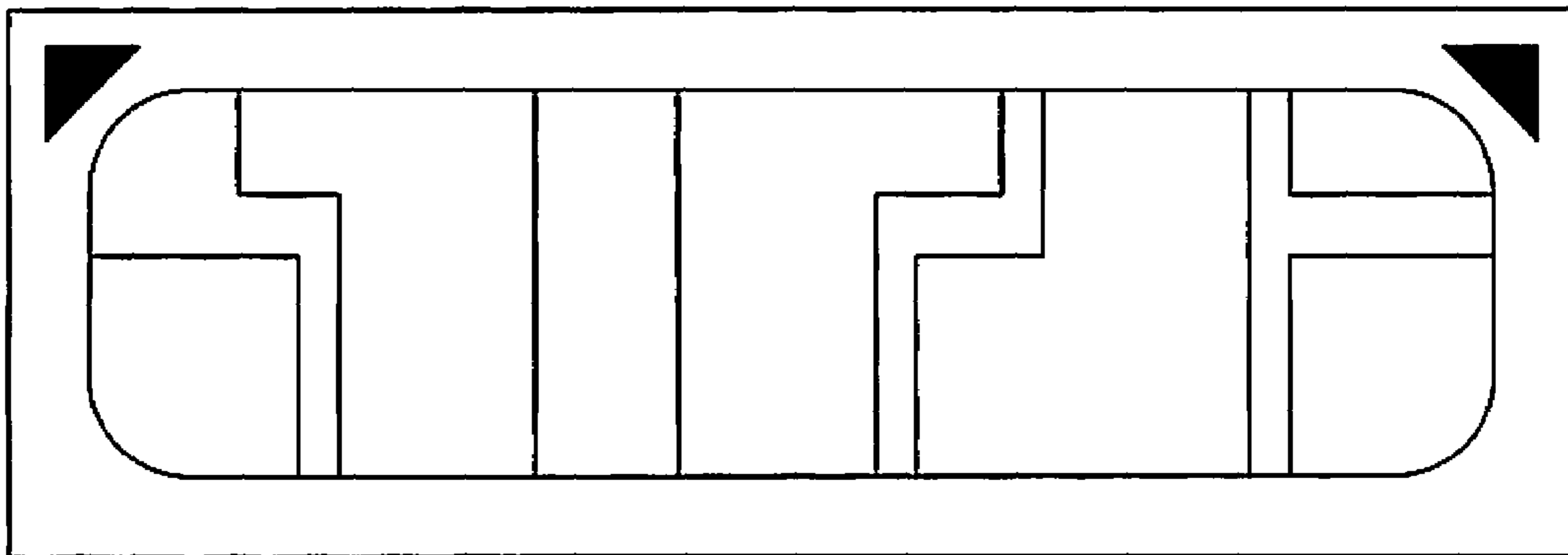


FIG. 2

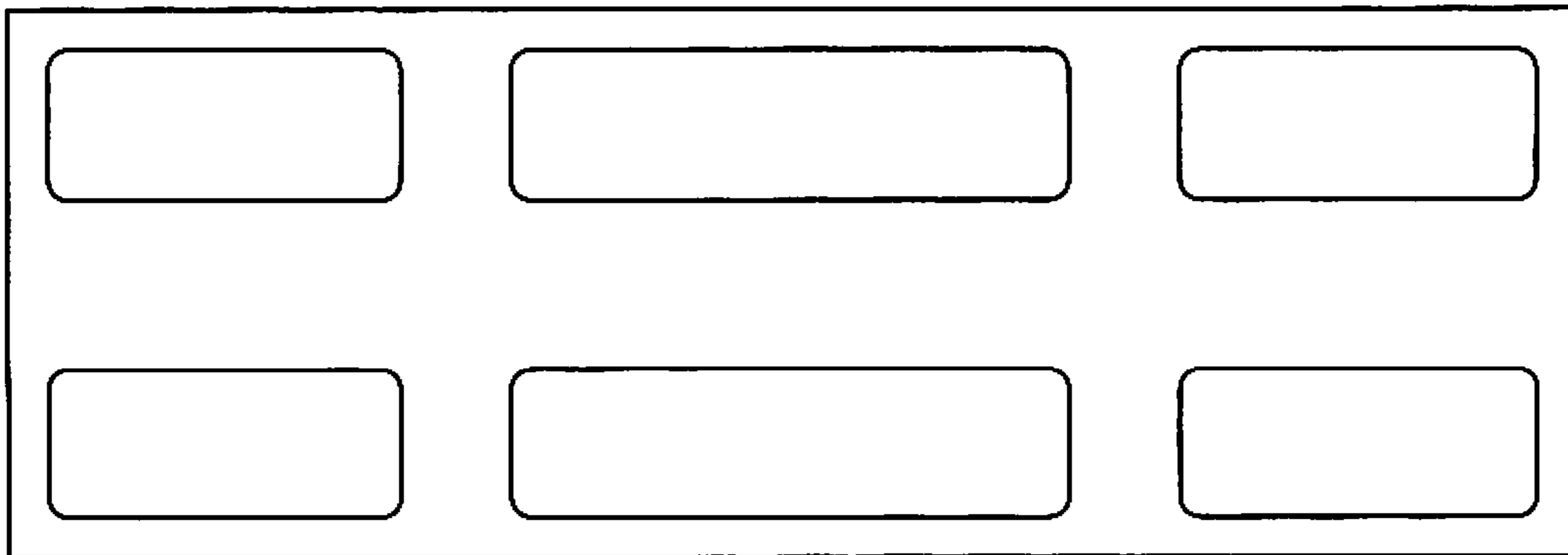


FIG. 3

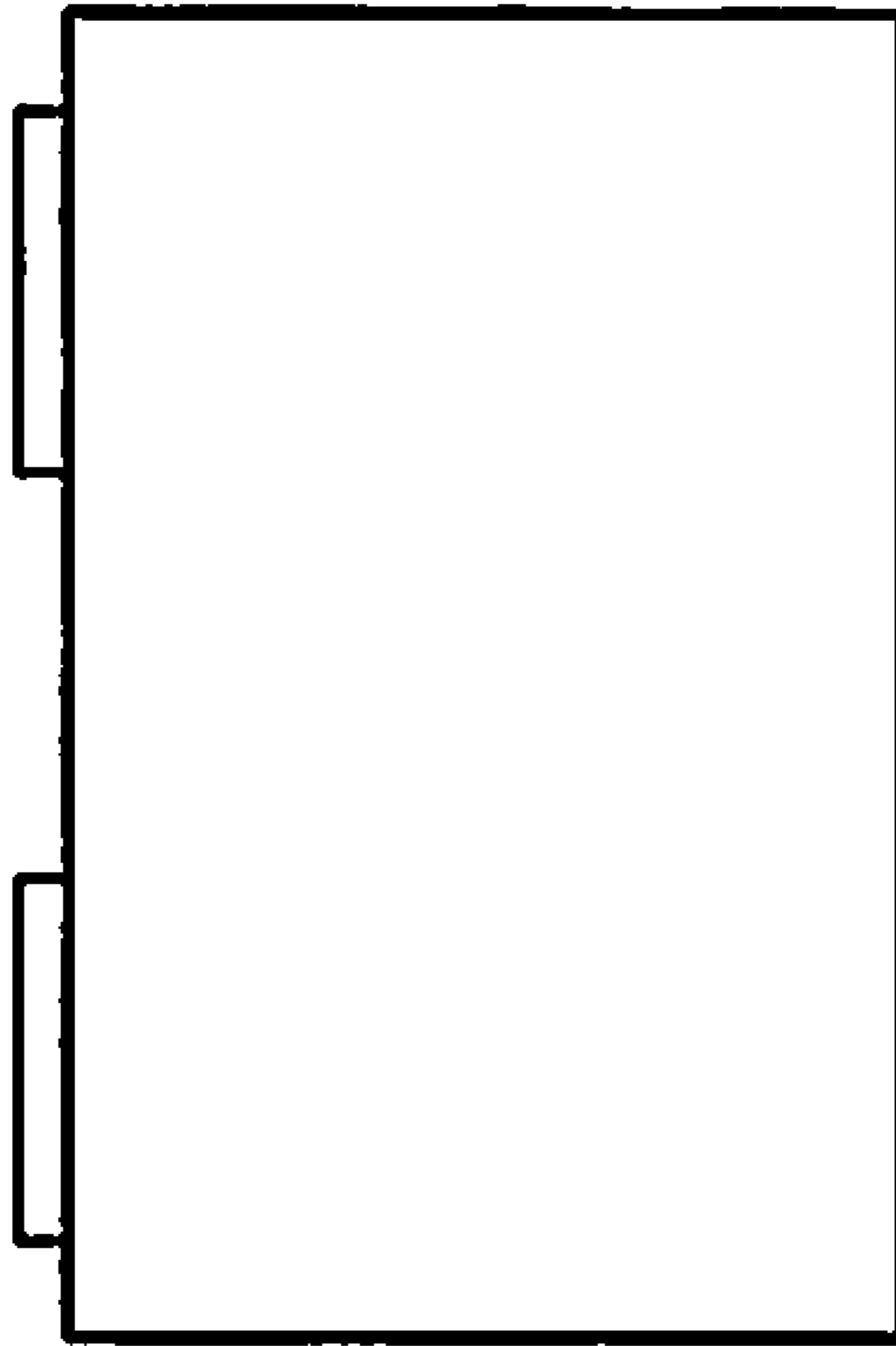


FIG. 4

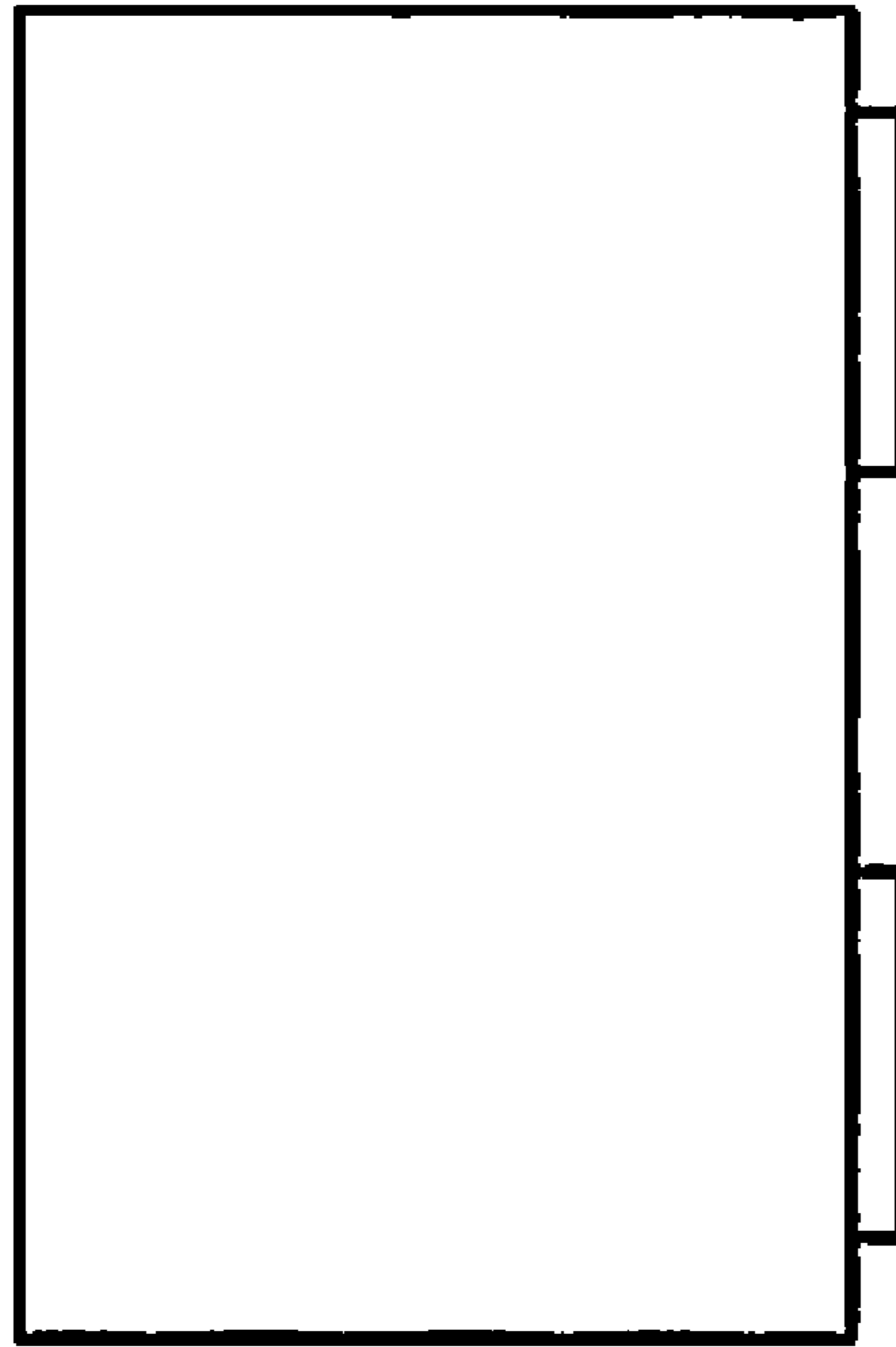


FIG. 5

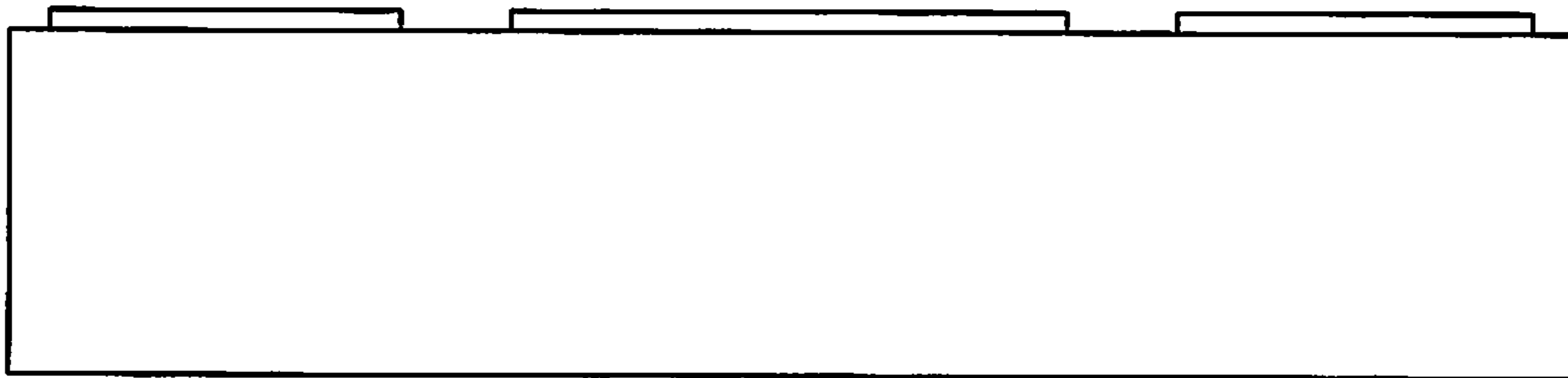


FIG. 6

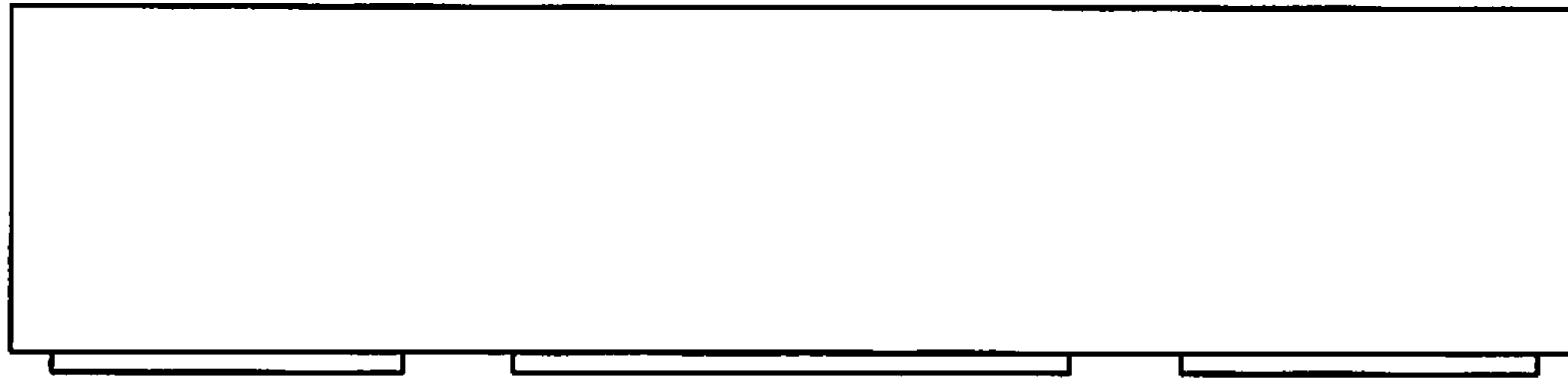


FIG. 7