



US00D597499S

(12) **United States Design Patent**
Kokubu et al.

(10) **Patent No.:** **US D597,499 S**
(45) **Date of Patent:** **** Aug. 4, 2009**

(54) **LIGHT EMITTING DIODE**

JP 1171708 4/2003
JP 1288058 12/2006

(75) Inventors: **Hideki Kokubu**, Aichi-ken (JP);
Toshimasa Hayashi, Aichi-ken (JP);
Michio Miyawaki, Hioki (JP)

* cited by examiner

(73) Assignees: **Toyoda Gosei Co., Ltd.**,
Nishikasugai-gun, Aichi-ken (JP);
Matsushita Electric Industrial Co., Ltd.,
Kadoma-shi, Osaka (JP)

Primary Examiner—Selina Sikder
(74) *Attorney, Agent, or Firm*—McGinn IP Law Group,
PLLC

(**) Term: **14 Years**

(57) **CLAIM**

The ornamental design for a light emitting diode, as shown and described.

(21) Appl. No.: **29/309,123**

(22) Filed: **Jun. 25, 2008**

DESCRIPTION

(30) **Foreign Application Priority Data**

Dec. 27, 2007 (JP) 2007-035948

FIG. 1 is a perspective view of top, front and left side of a light emitting diode showing our new design;

(51) **LOC (9) Cl.** **13-03**

(52) **U.S. Cl.** **D13/180**

FIG. 2 is a perspective view of bottom, front and left side thereof;

(58) **Field of Classification Search** D13/180;
D26/2; 257/79, 80, 81, 88, 89, 95, 98, 99,
257/100; 313/483, 498, 500; 362/555, 800
See application file for complete search history.

FIG. 3 is a front view thereof;

FIG. 4 is a rear view thereof;

FIG. 5 is a left side view thereof;

FIG. 6 is a right side view thereof;

FIG. 7 is a top plan view thereof;

FIG. 8 is a bottom view thereof; and,

FIG. 9 is a cross sectional view at 9—9 in FIG. 2 thereof.

(56) **References Cited**

U.S. PATENT DOCUMENTS

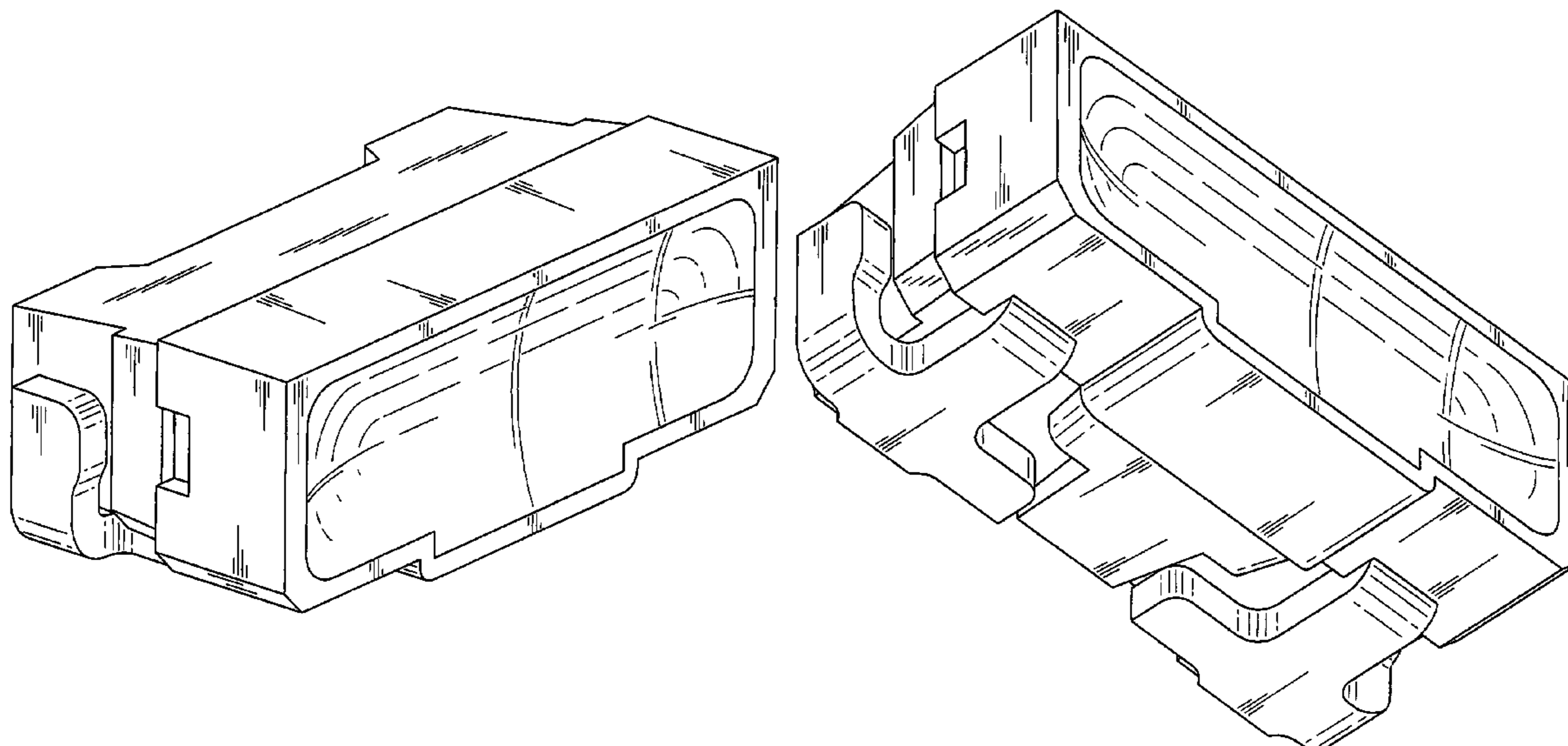
D528,999 S * 9/2006 Cho et al. D13/180
D533,146 S * 12/2006 Wu et al. D13/180
D533,517 S * 12/2006 Kim et al. D13/180
D585,851 S * 2/2009 Kokubu et al. D13/180
2004/0046242 A1 * 3/2004 Asakawa 257/678

The cross sectional view shown in FIG. 9 is included for the purpose of showing external surface contours which may not be clear from the remaining illustrations. Any features of internal construction shown are incidental and form no part of the claimed design.

FOREIGN PATENT DOCUMENTS

JP 1095890 1/2001

1 Claim, 7 Drawing Sheets



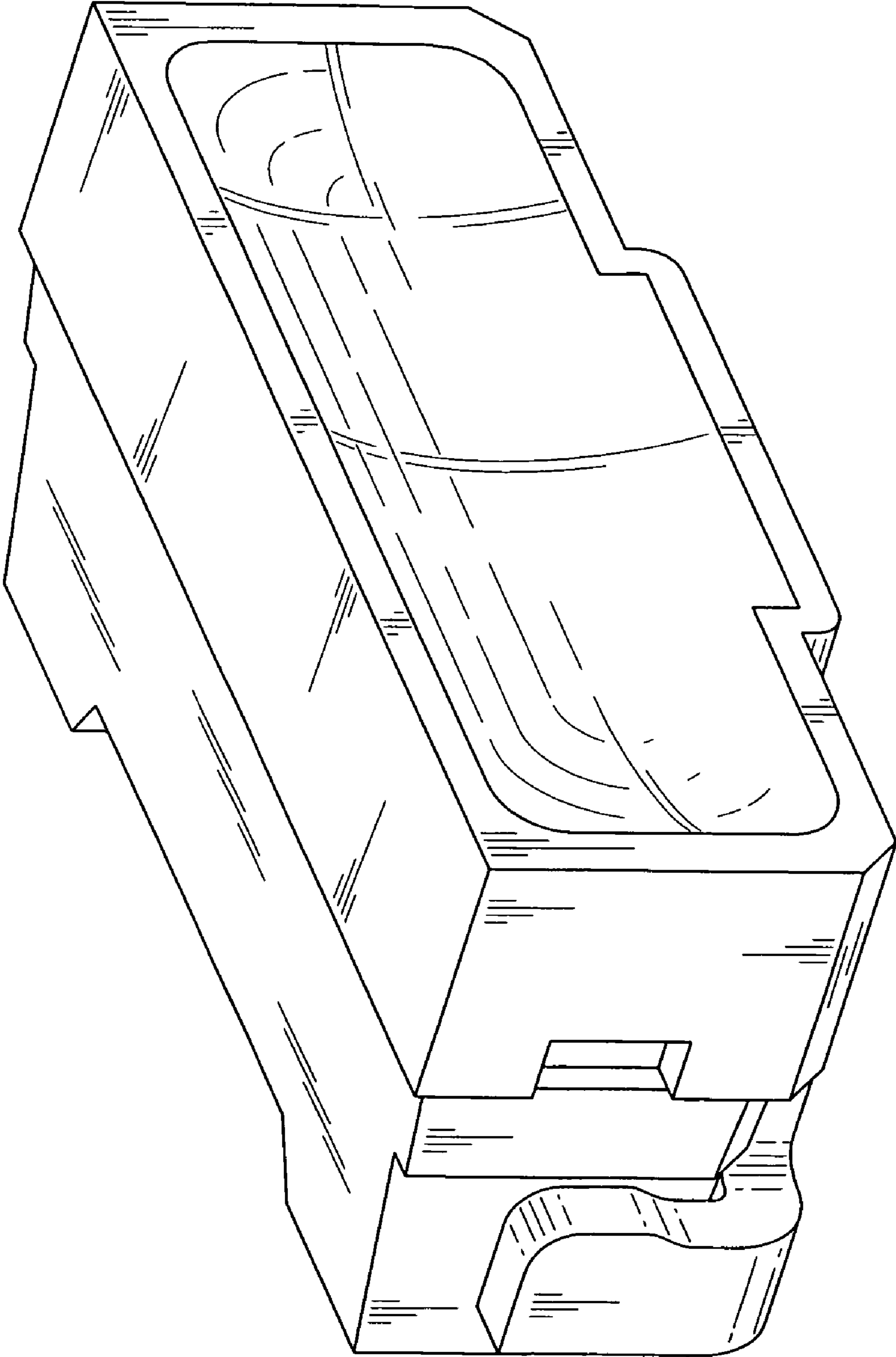


FIG. 1

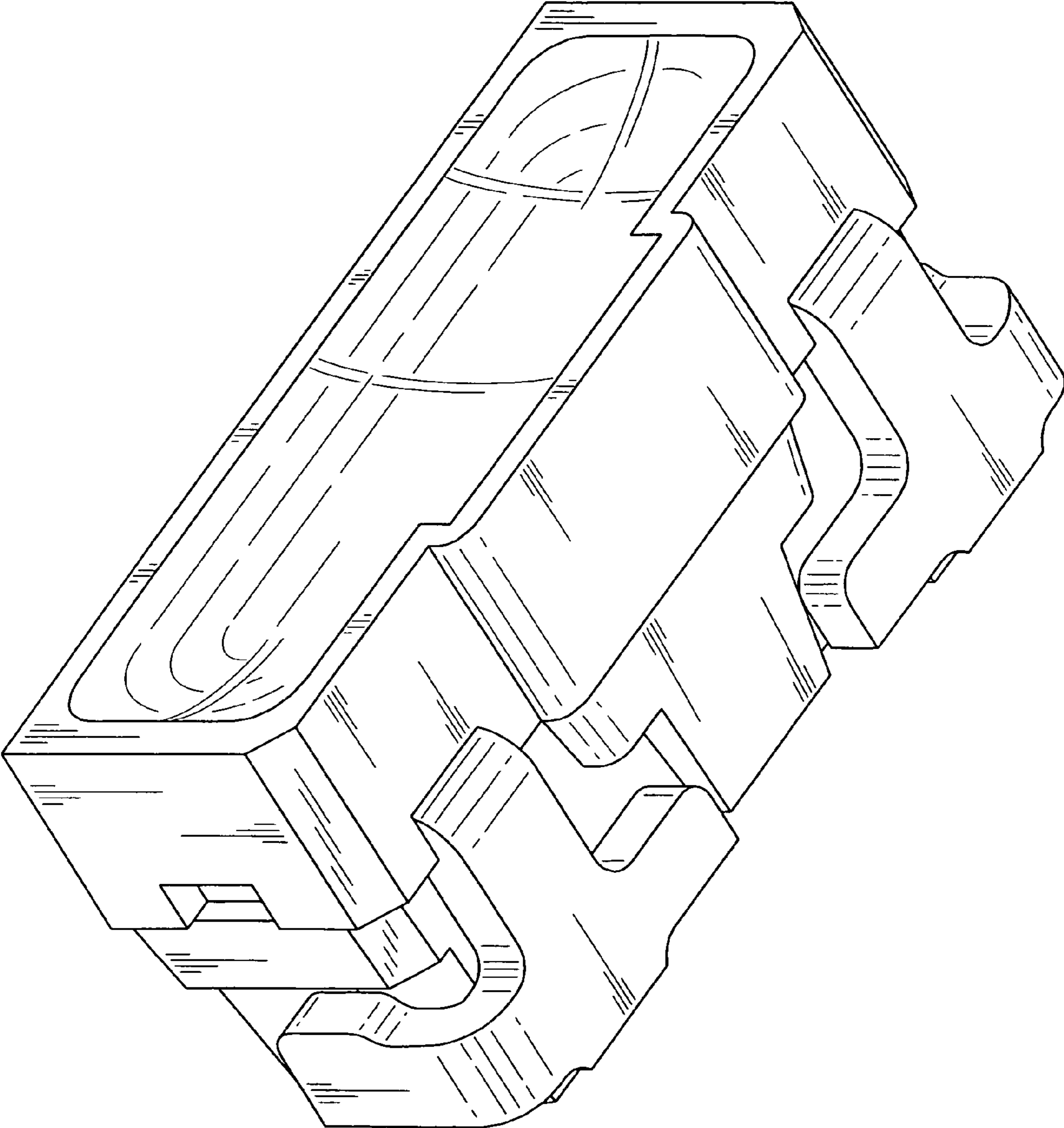


FIG. 2

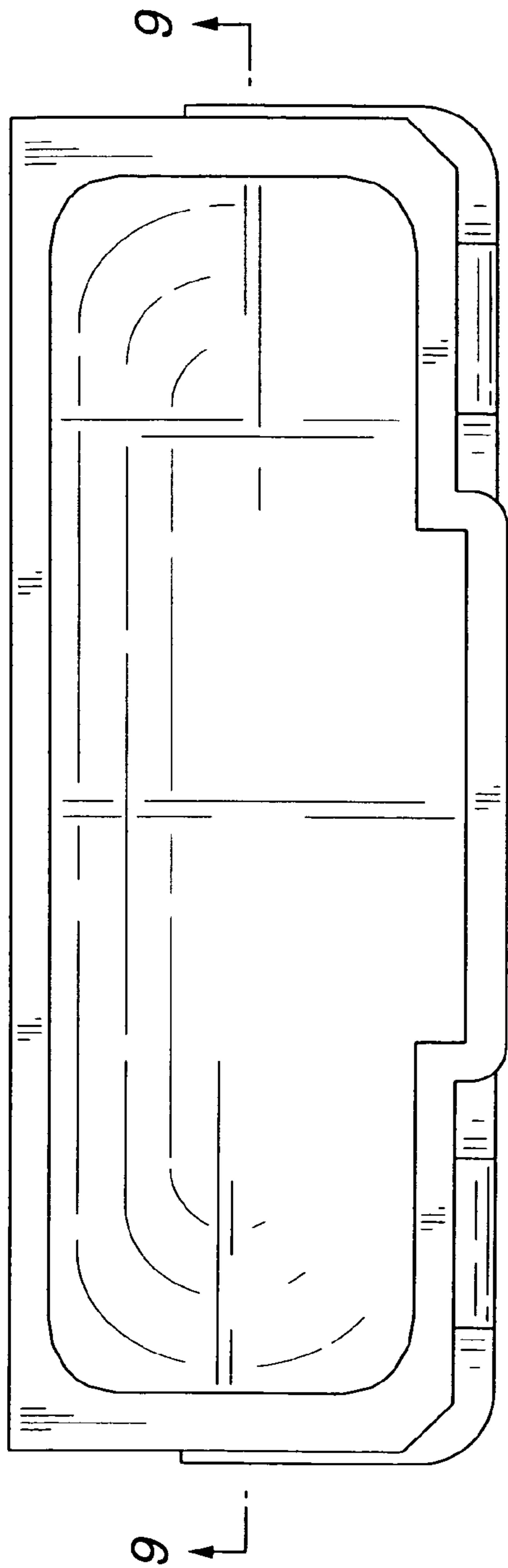


FIG. 3

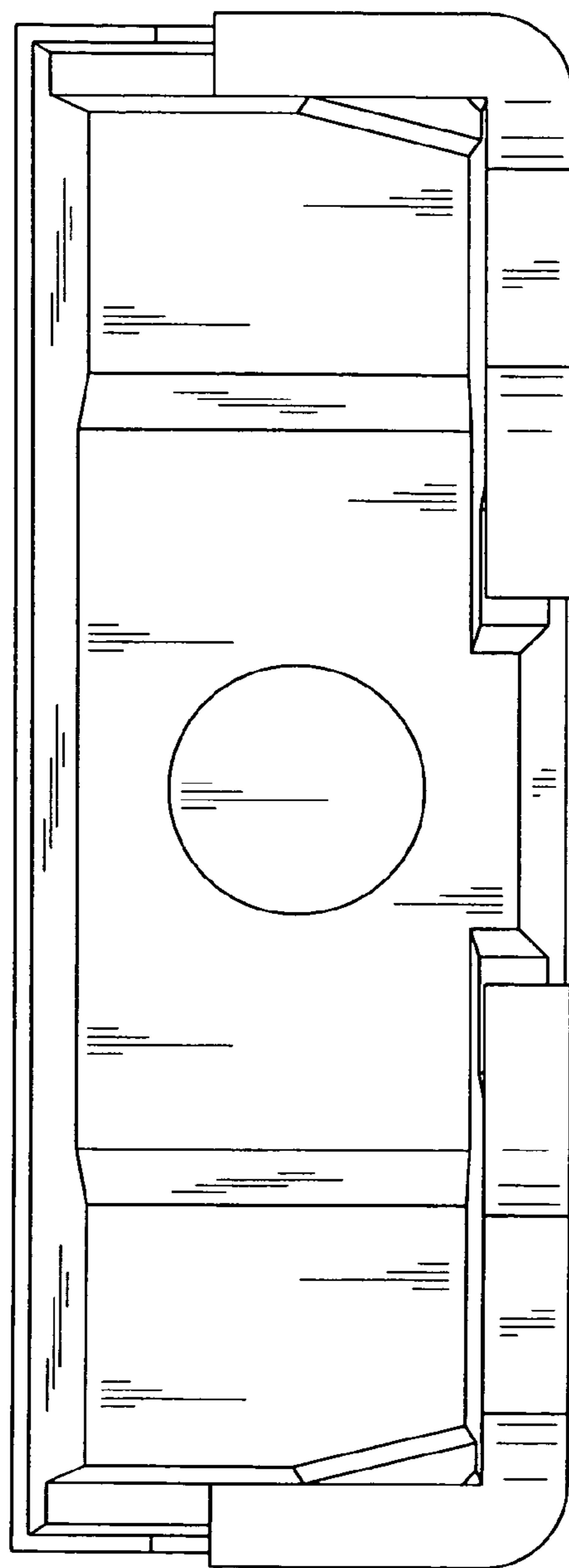


FIG. 4

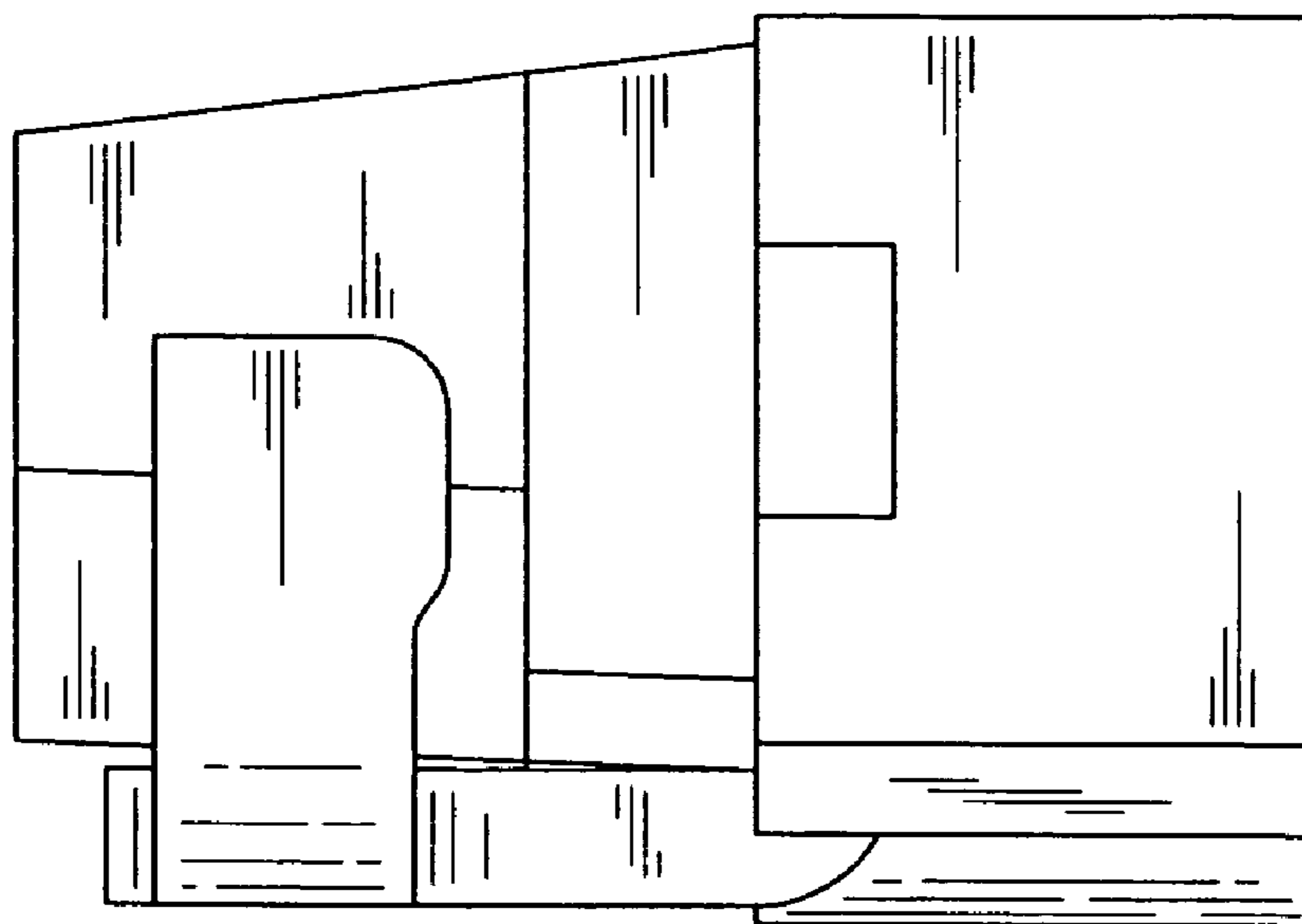


FIG. 5

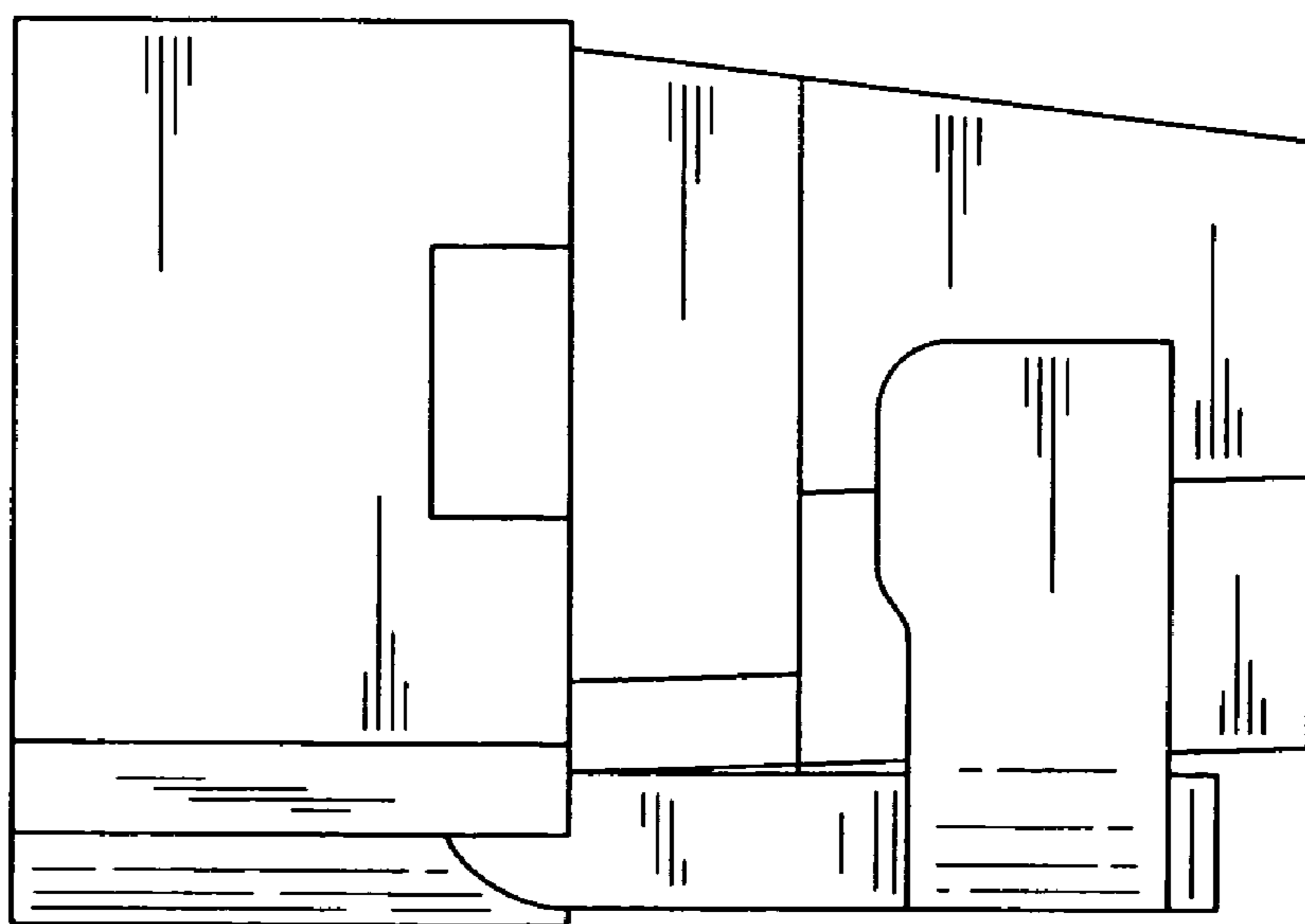


FIG. 6

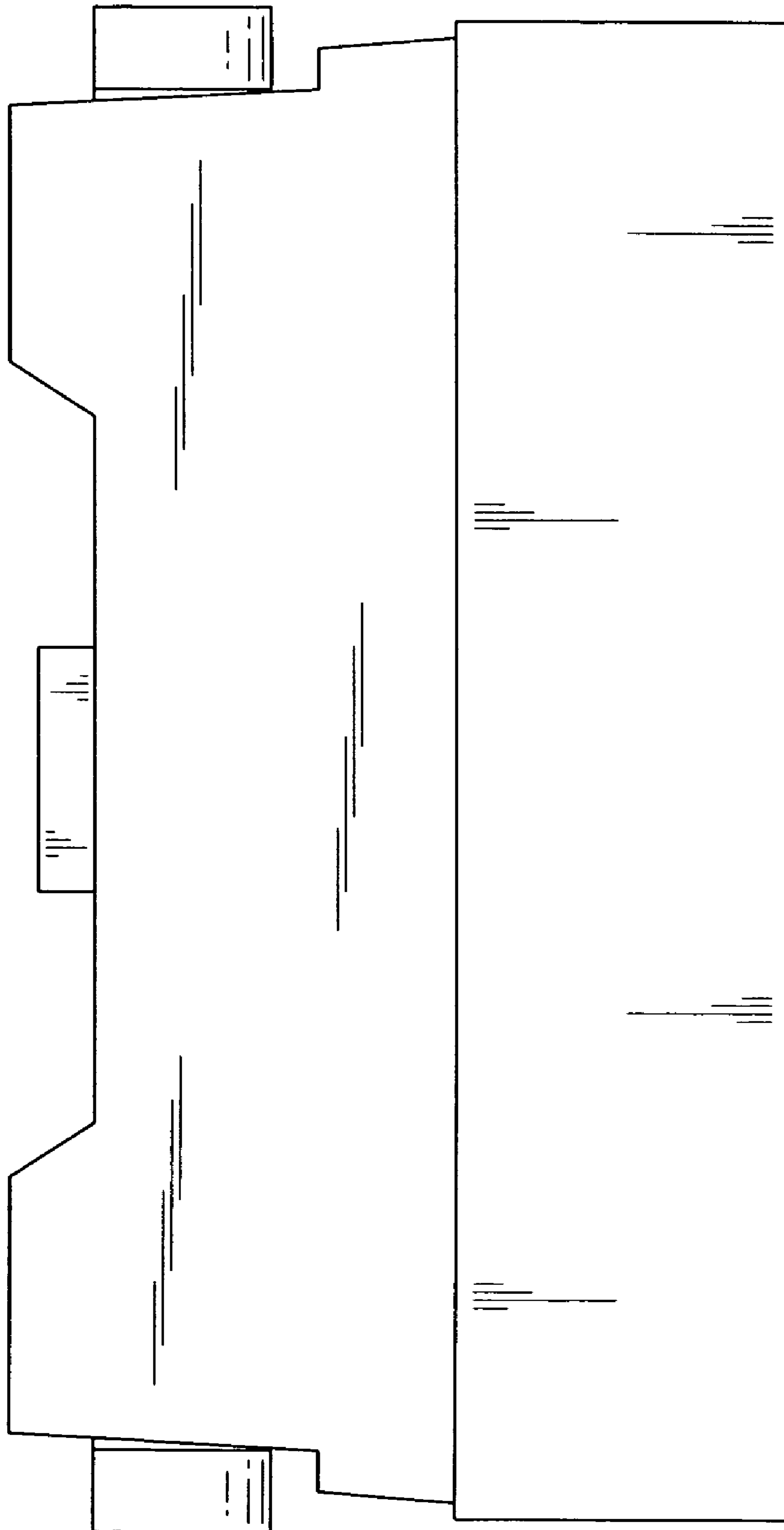


FIG. 7

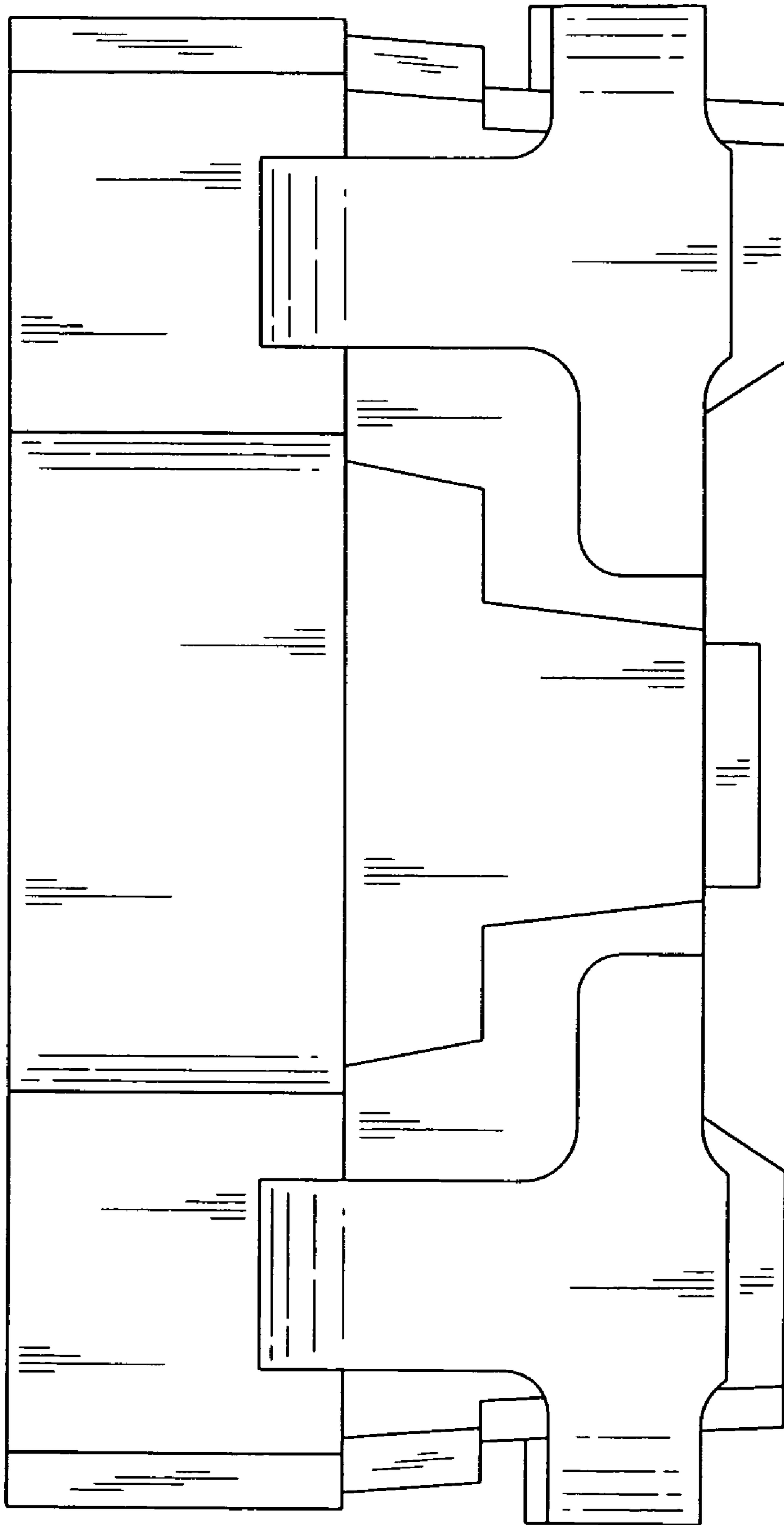


FIG. 8

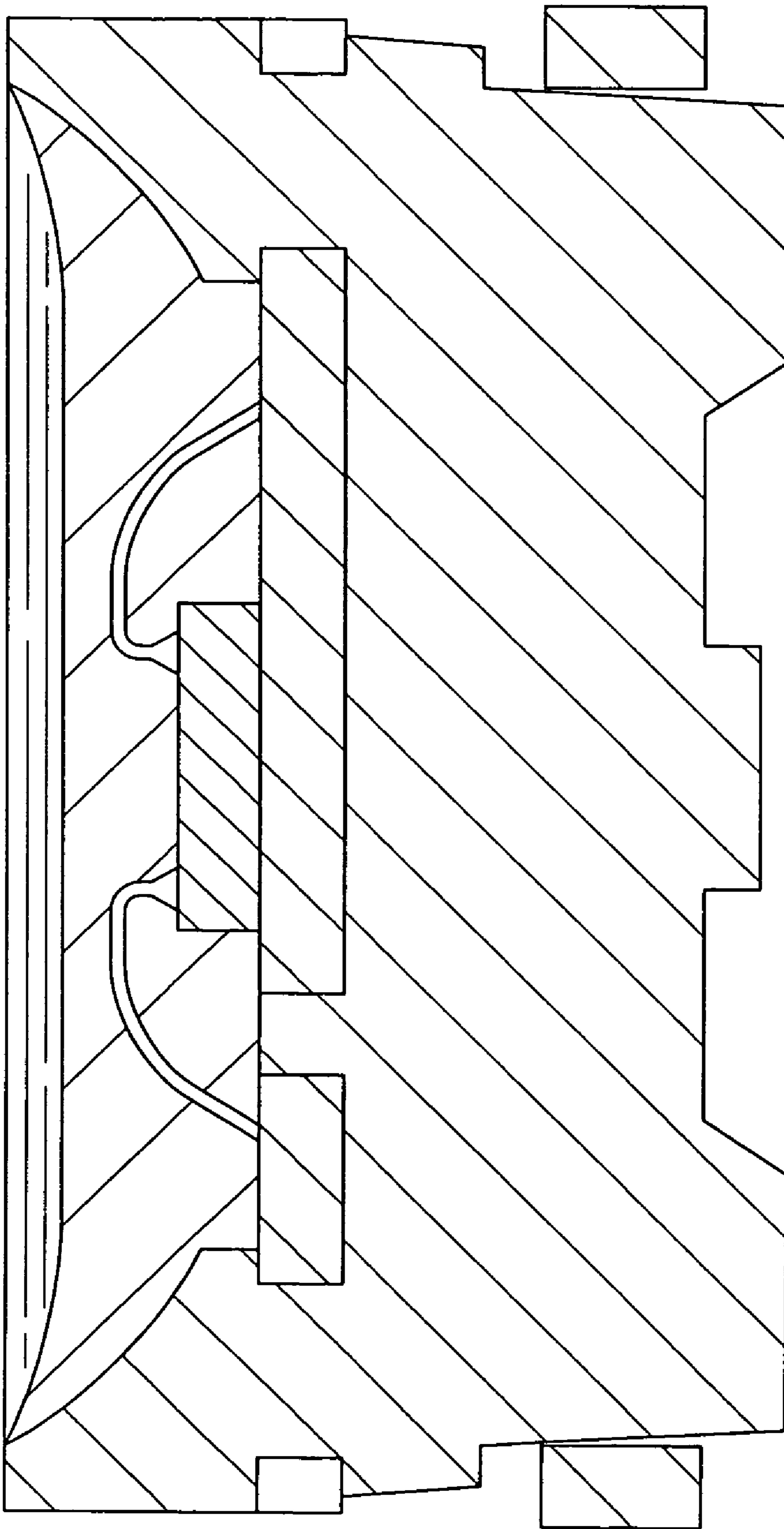


FIG. 9