



US00D597498S

(12) **United States Design Patent**
Zhao et al.

(10) **Patent No.:** **US D597,498 S**

(45) **Date of Patent:** **** Aug. 4, 2009**

(54) **HEAT DISSIPATION DEVICE**

(75) Inventors: **Di-Qiong Zhao**, Shenzhen (CN);
Hong-Bo Deng, Shenzhen (CN); **Ye**
Chen, Shenzhen (CN)

(73) Assignee: **Foxconn Technology Co., Ltd.**,
Tu-Cheng, Taipei Hsien (TW)

(**) Term: **14 Years**

(21) Appl. No.: **29/321,528**

(22) Filed: **Jul. 18, 2008**

(51) **LOC (9) Cl.** **13-03**

(52) **U.S. Cl.** **D13/179**

(58) **Field of Classification Search** D13/179;
165/80.3, 104.33, 151, 122, 185; 257/706,
257/707, 718-722; 361/687, 695, 697, 700,
361/702, 704, 709, 710, 711, 719

See application file for complete search history.

(56) **References Cited**

U.S. PATENT DOCUMENTS

D511,327 S * 11/2005 Ma et al. D13/179
D552,564 S * 10/2007 Mochizuki D13/179

D561,123 S * 2/2008 Mochizuki et al. D13/179

D561,711 S * 2/2008 Lin D13/179

7,362,573 B2 * 4/2008 Lu et al. 361/695

D573,109 S * 7/2008 Mochizuki et al. D13/179

2006/0219386 A1 * 10/2006 Hsia et al. 165/80.3

* cited by examiner

Primary Examiner—Selina Sikder

(74) *Attorney, Agent, or Firm*—Frank R. Niranjan

(57) **CLAIM**

The ornamental design for a heat dissipation device, as shown.

DESCRIPTION

FIG. 1 is a perspective view of a heat dissipation device showing our new design.

FIG. 2 is a front elevational view thereof.

FIG. 3 is a rear elevational view thereof.

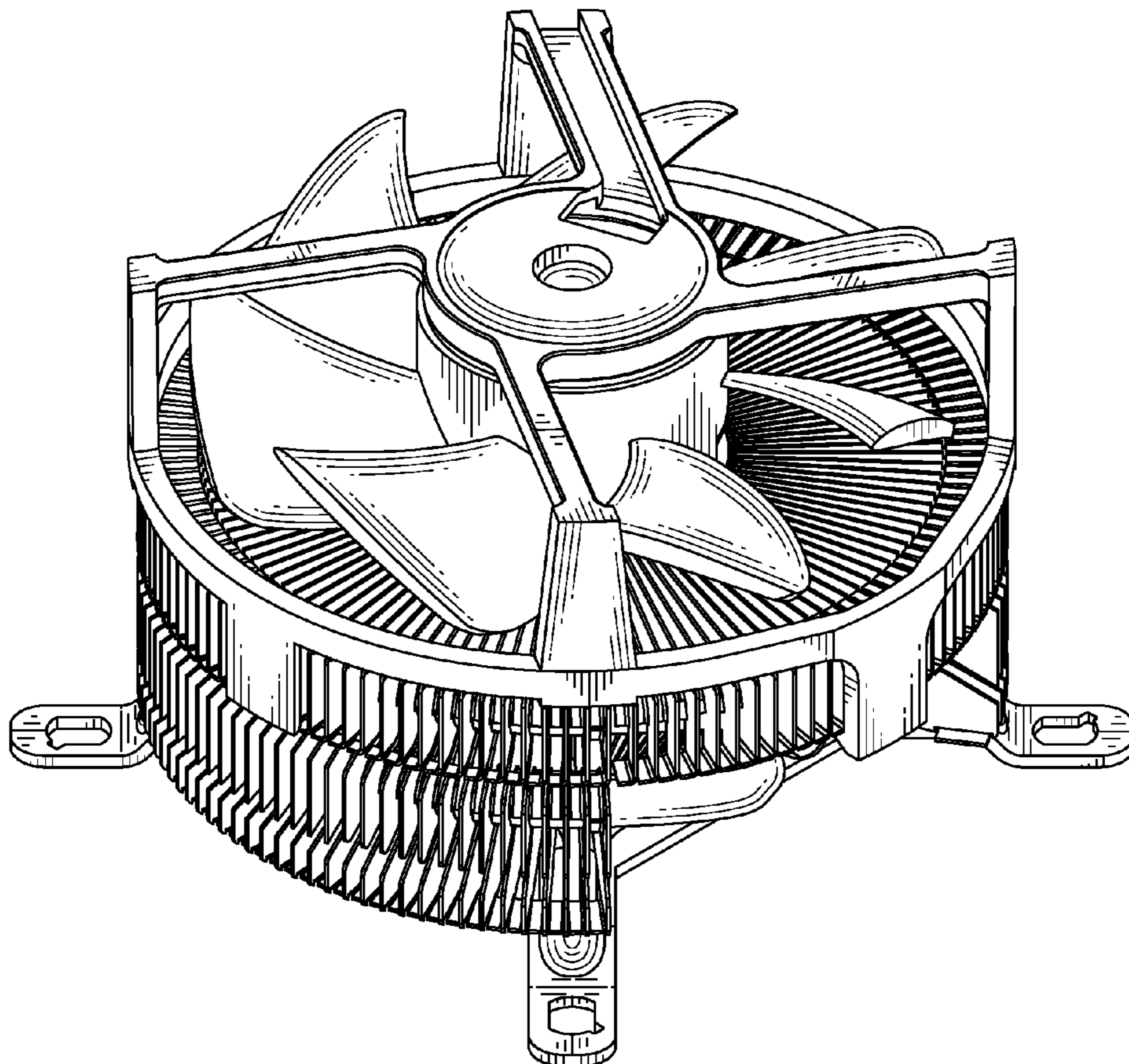
FIG. 4 is a left-side, elevational view thereof.

FIG. 5 is a right-side, elevational view thereof.

FIG. 6 is a top plan view thereof; and,

FIG. 7 is a bottom plan view thereof.

1 Claim, 7 Drawing Sheets



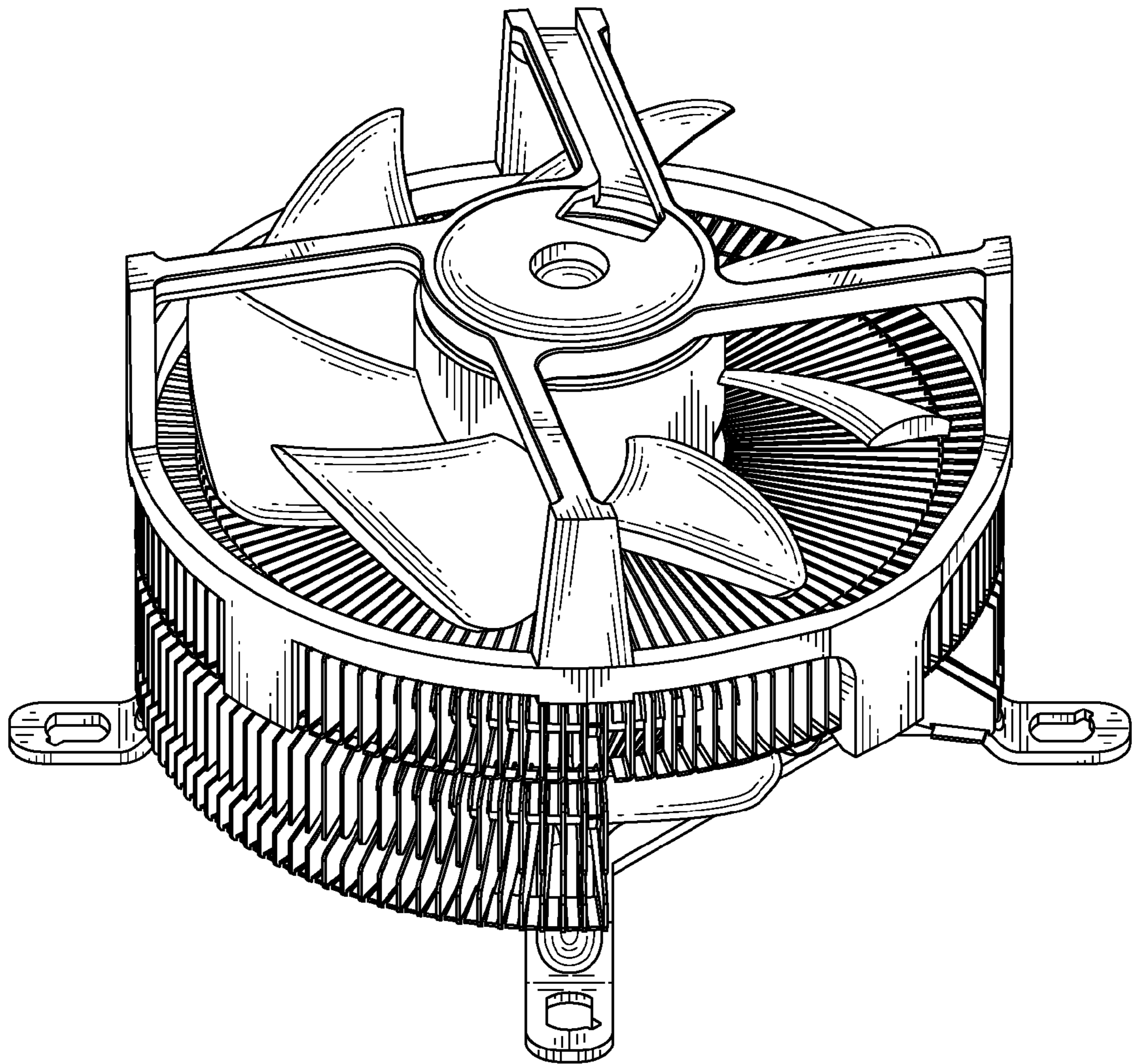


FIG. 1

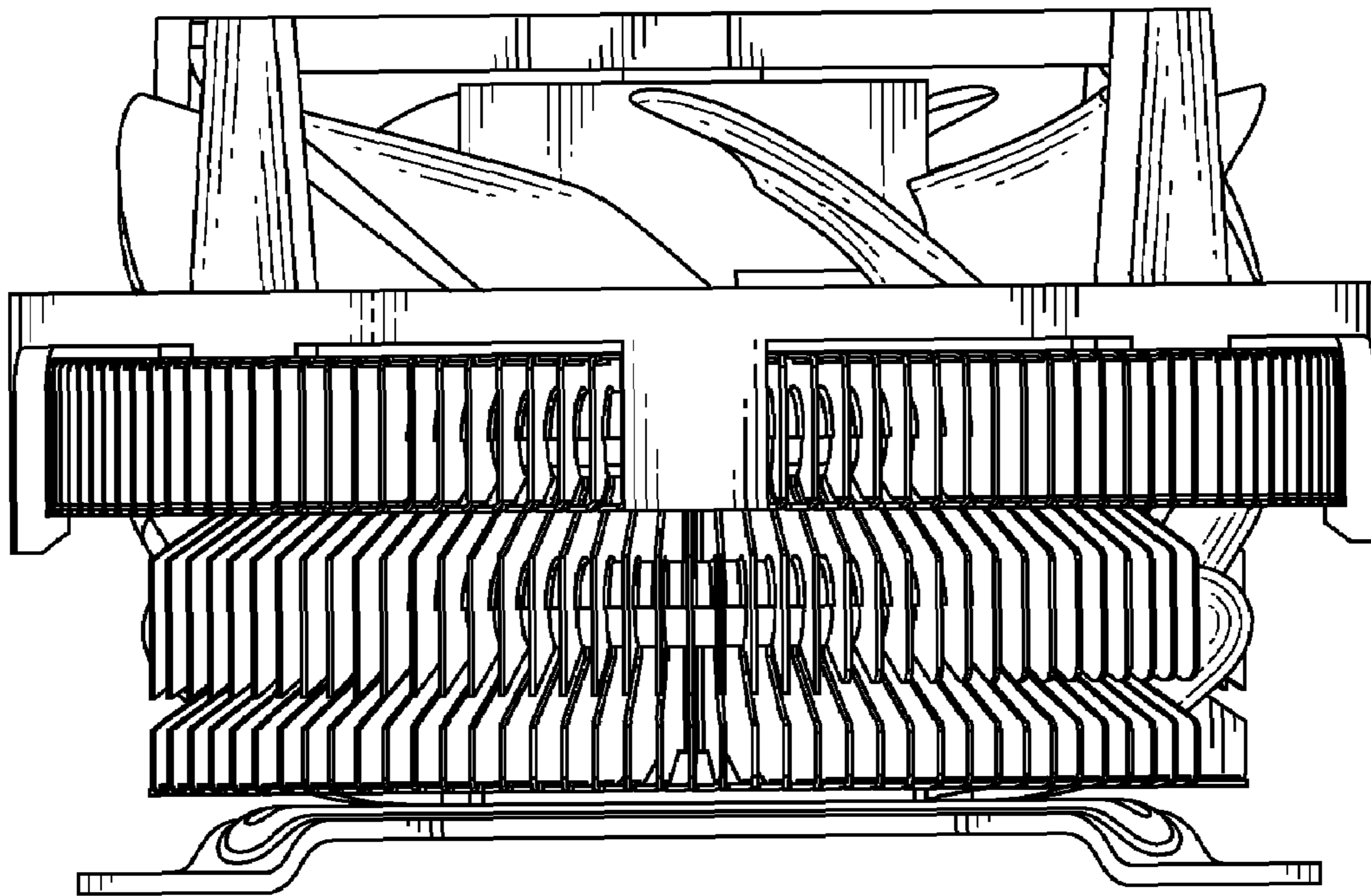


FIG. 2

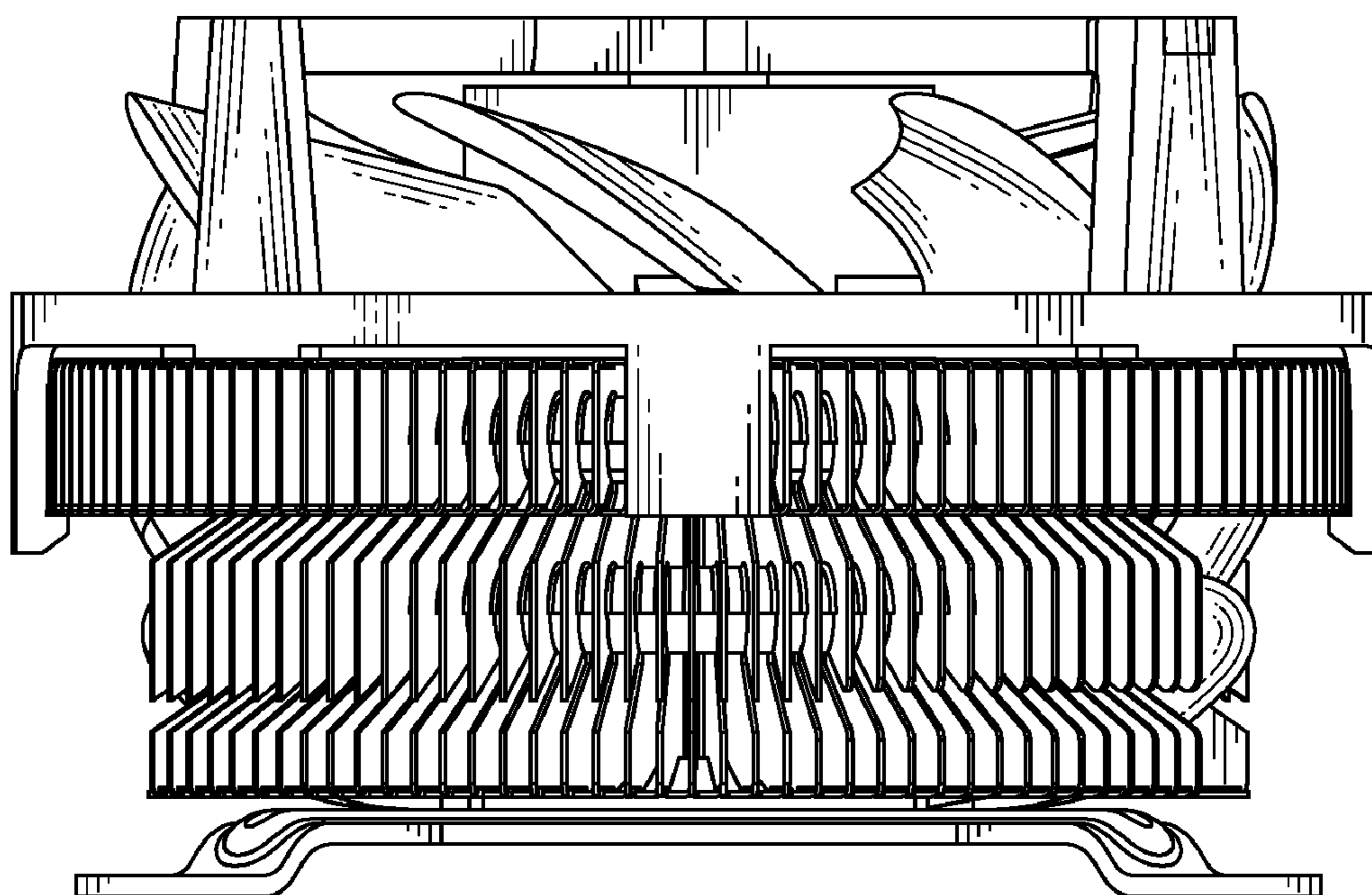


FIG. 3

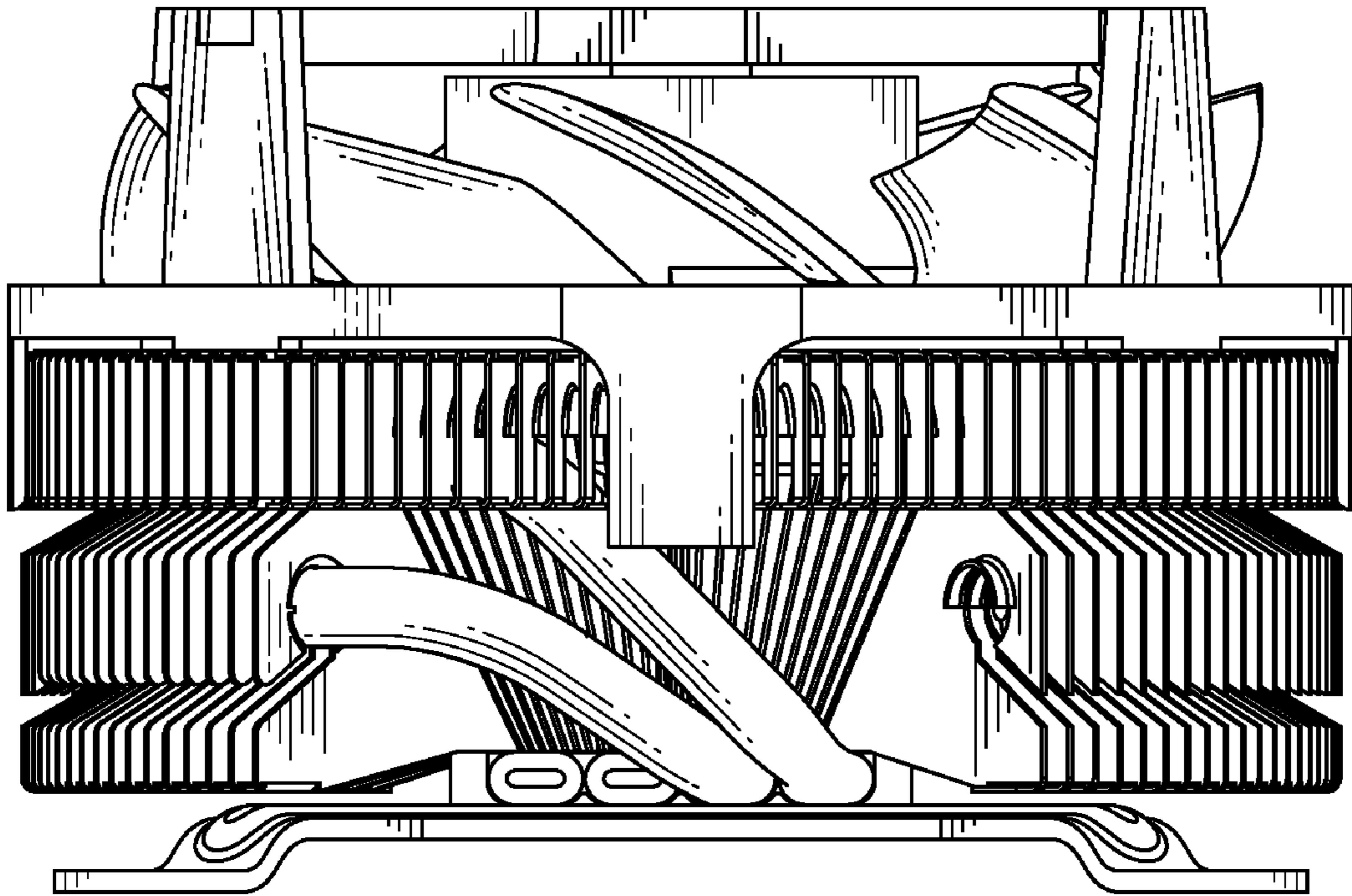


FIG. 4

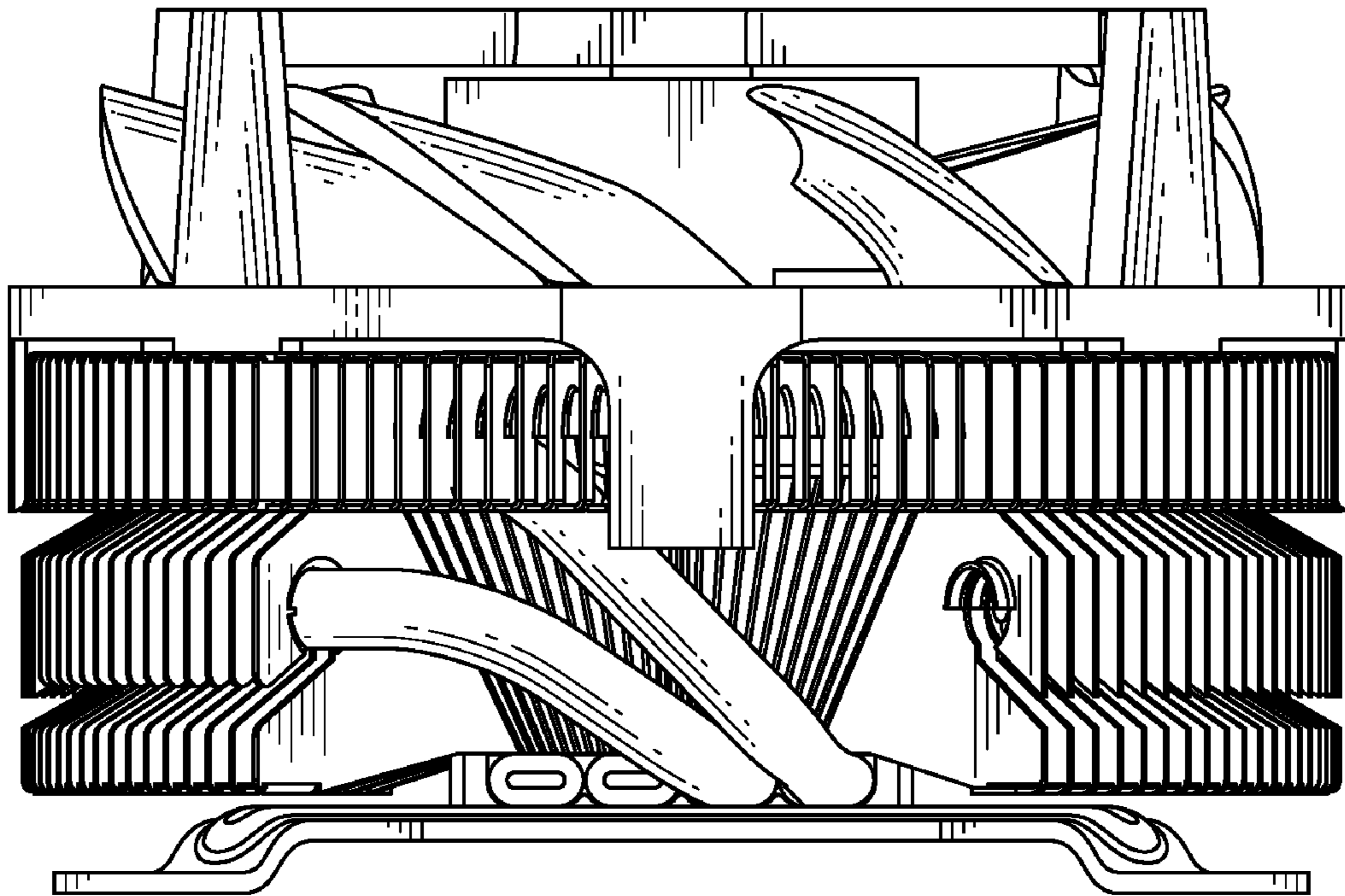


FIG. 5

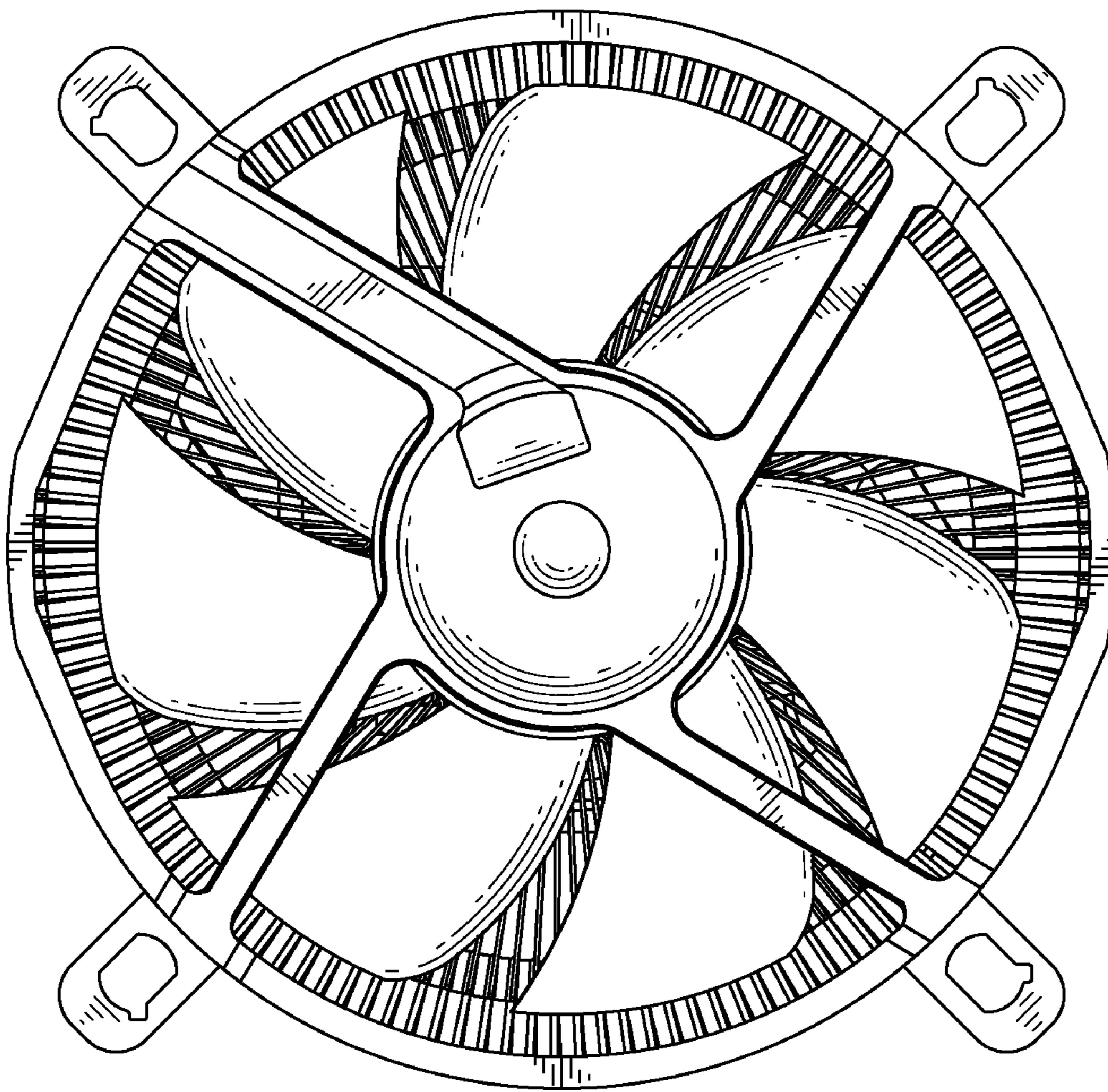


FIG. 6

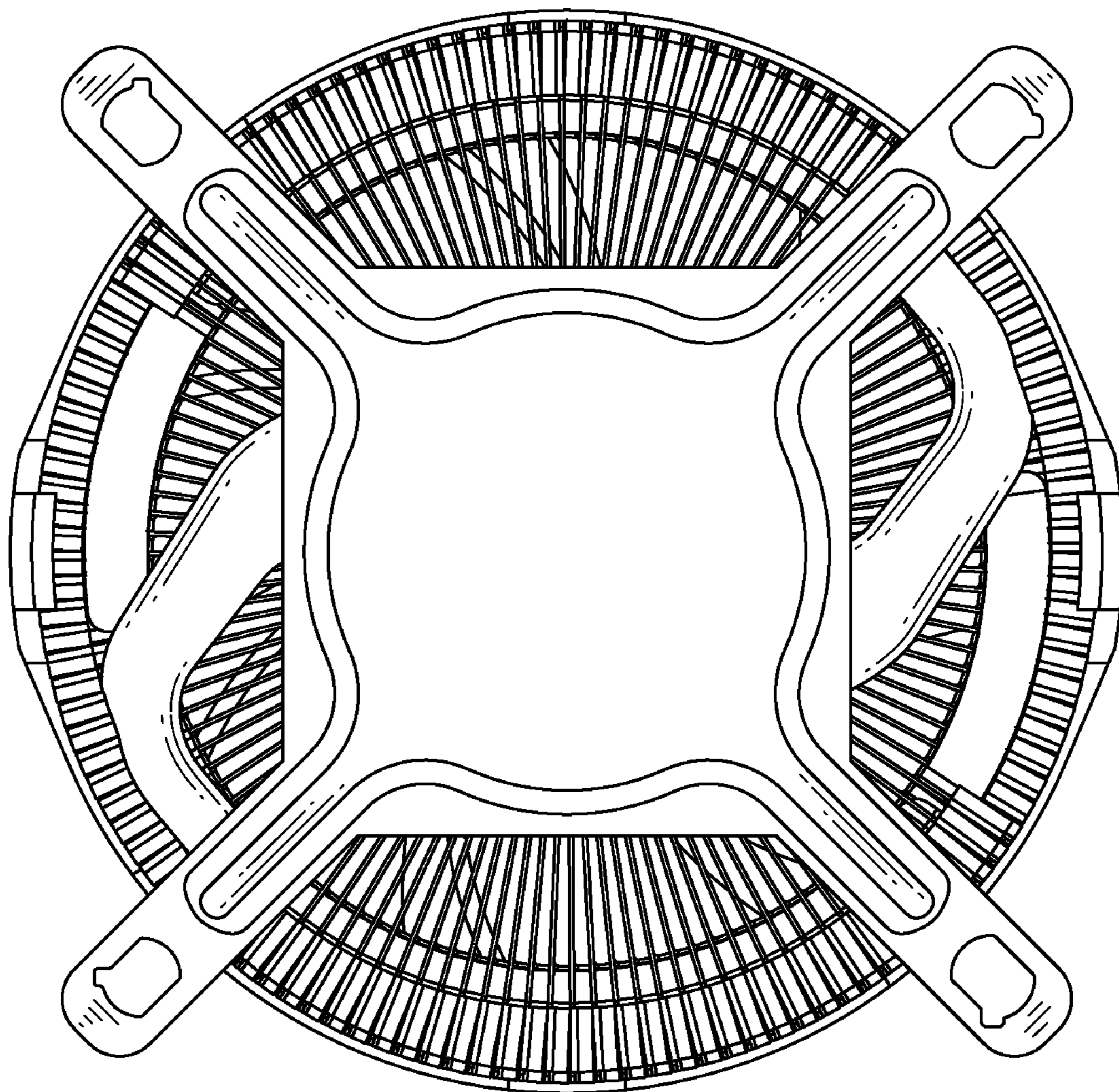


FIG. 7