



US00D597493S

(12) **United States Design Patent**
Wu

(10) **Patent No.:** **US D597,493 S**

(45) **Date of Patent:** **** Aug. 4, 2009**

(54) **CONNECTOR BASE FOR FASTENING CABLE**

(75) Inventor: **Xiao Lin Wu**, Tu-Cheng (TW)

(73) Assignee: **Cheng Uei Precision Industry Co., Ltd.**, Taipei Hsien (TW)

(**) Term: **14 Years**

(21) Appl. No.: **29/290,549**

(22) Filed: **Dec. 14, 2007**

(51) **LOC (9) Cl.** **13-03**

(52) **U.S. Cl.** **D13/155**

(58) **Field of Classification Search** D13/152-157, D13/184; D8/354, 356, 396; 104/275; 138/106-107, 138/112-113, 116-117, 158, 162-163, 166-169, 138/174; 14/169.5; 174/101, 38, 68.1, 68.3, 174/72 A, 72 C, 75 R, 84 R, 91-97
See application file for complete search history.

(56) **References Cited**

U.S. PATENT DOCUMENTS

D404,364 S * 1/1999 Viklund et al. D13/155

D427,048 S * 6/2000 Potter et al. D13/155
D462,665 S * 9/2002 Witting D13/155
D539,133 S * 3/2007 Nagle D8/396
D568,254 S * 5/2008 Patchett et al. D13/155

* cited by examiner

Primary Examiner—Brian N Vinson

(74) *Attorney, Agent, or Firm*—Rosenberg, Klein & Lee

(57) **CLAIM**

The ornamental design for a connector base for fastening cable, as shown and described.

DESCRIPTION

FIG. 1 is a perspective view of a connector base for fastening cable showing my new design;

FIG. 2 is a front elevational view thereof;

FIG. 3 is a rear elevational view thereof;

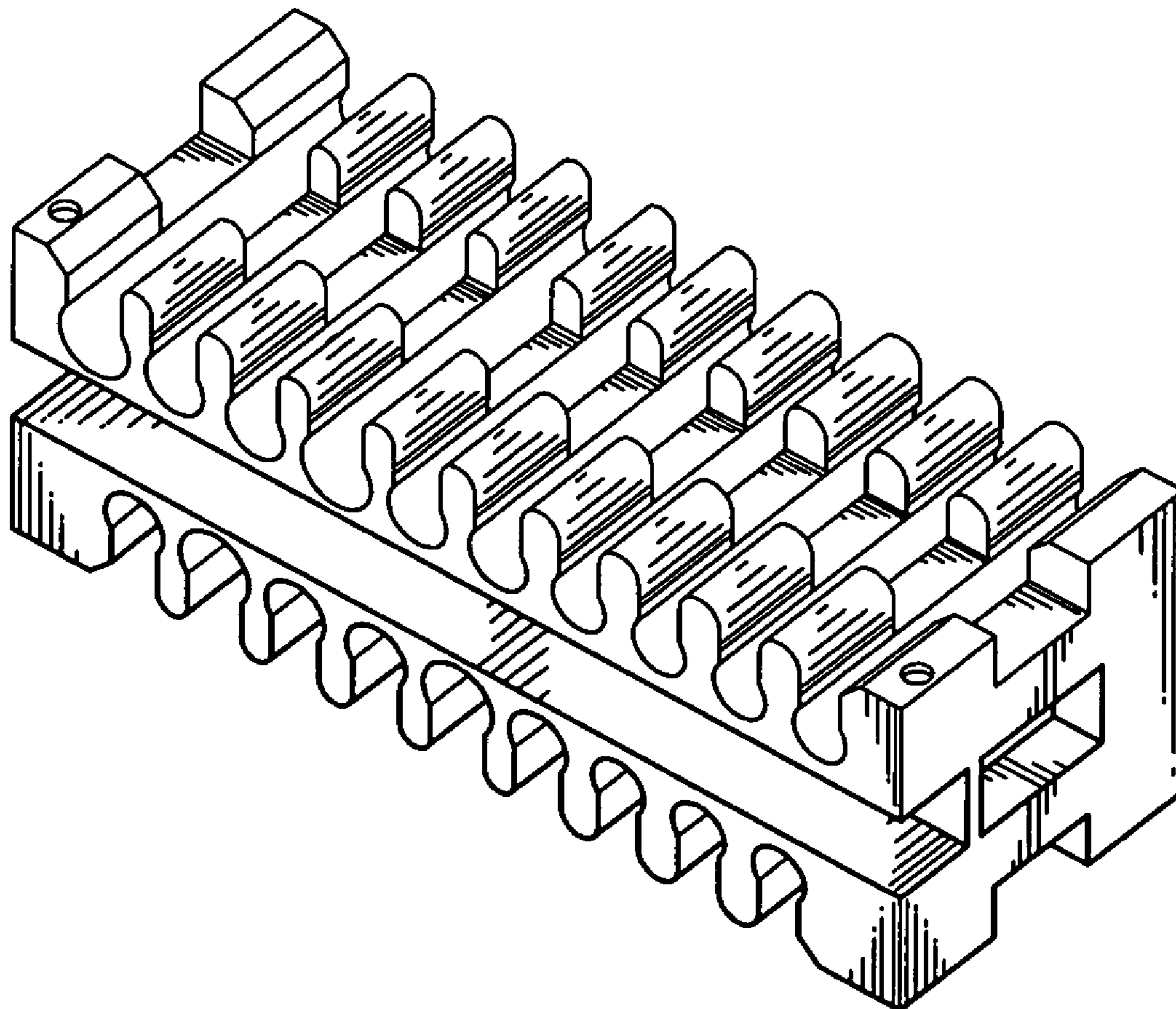
FIG. 4 is a left side elevational view thereof;

FIG. 5 is a right side elevational view thereof;

FIG. 6 is a top plan view thereof; and,

FIG. 7 is a bottom plan view thereof.

1 Claim, 7 Drawing Sheets



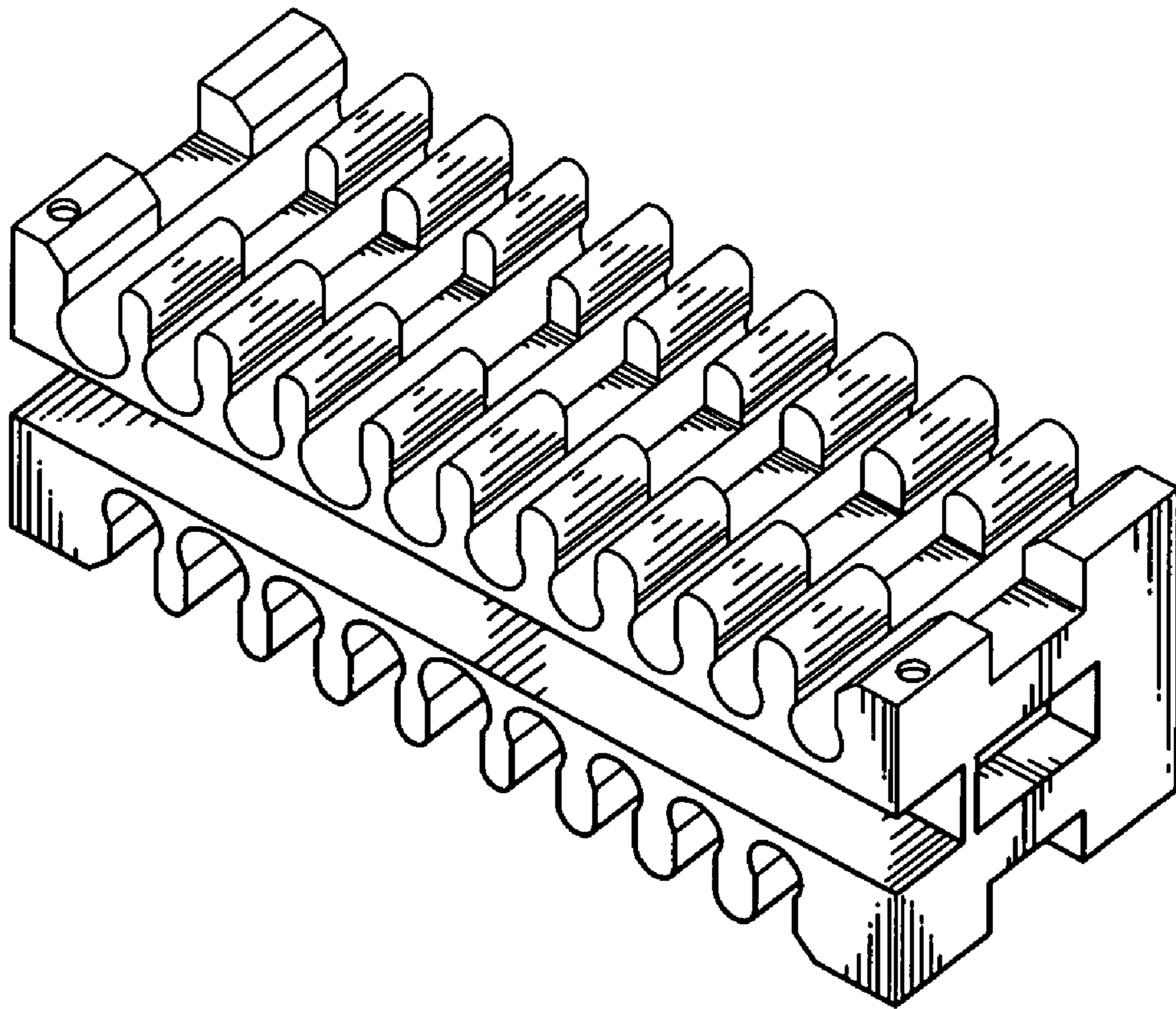


FIG. 1

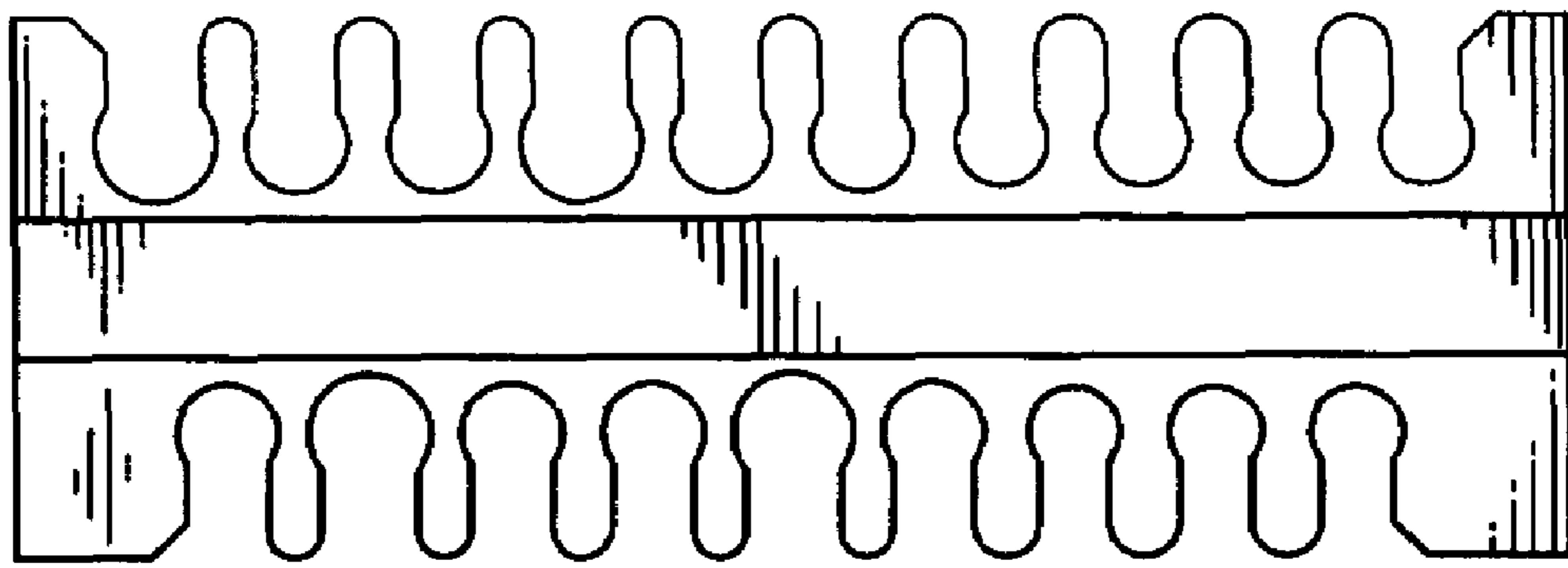


FIG. 2

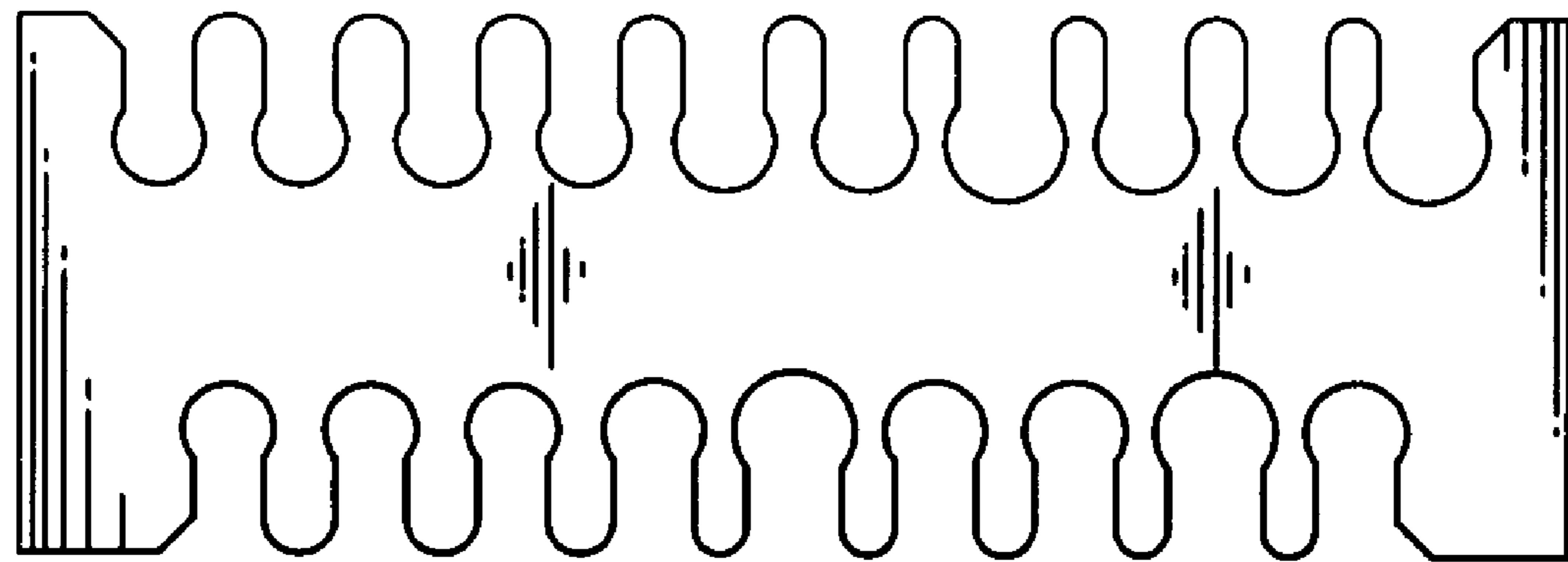


FIG. 3

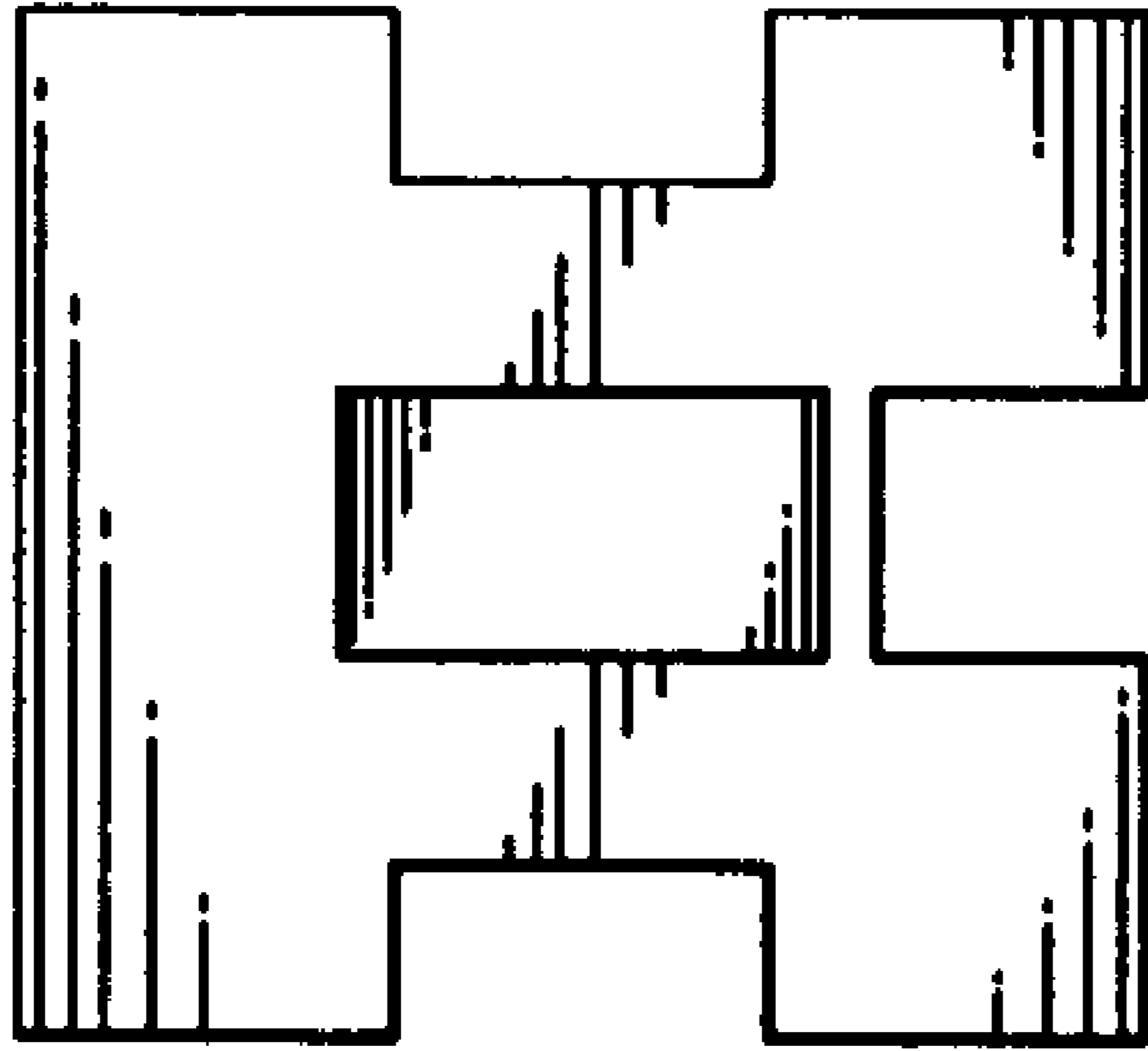


FIG. 4

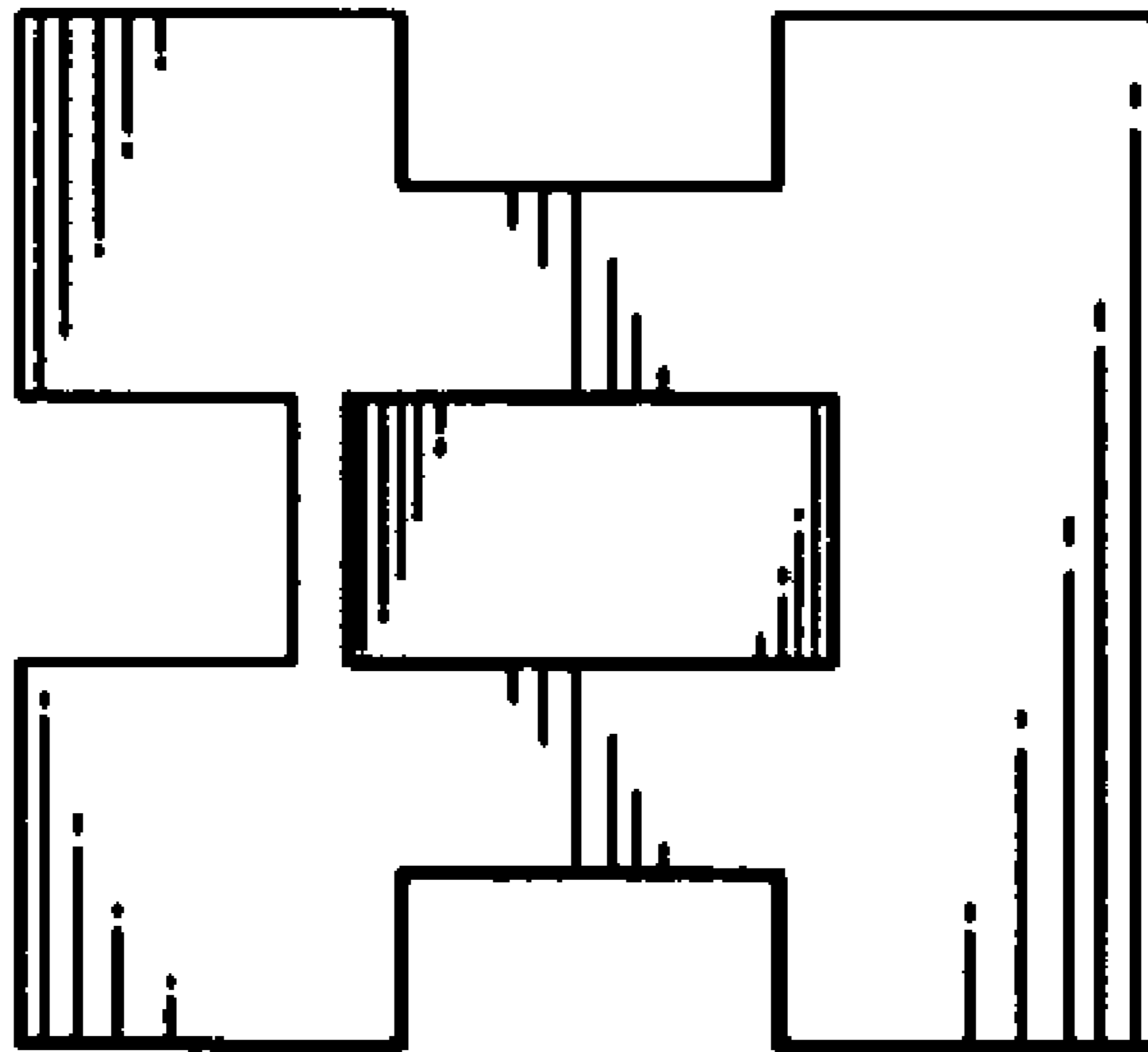


FIG. 5

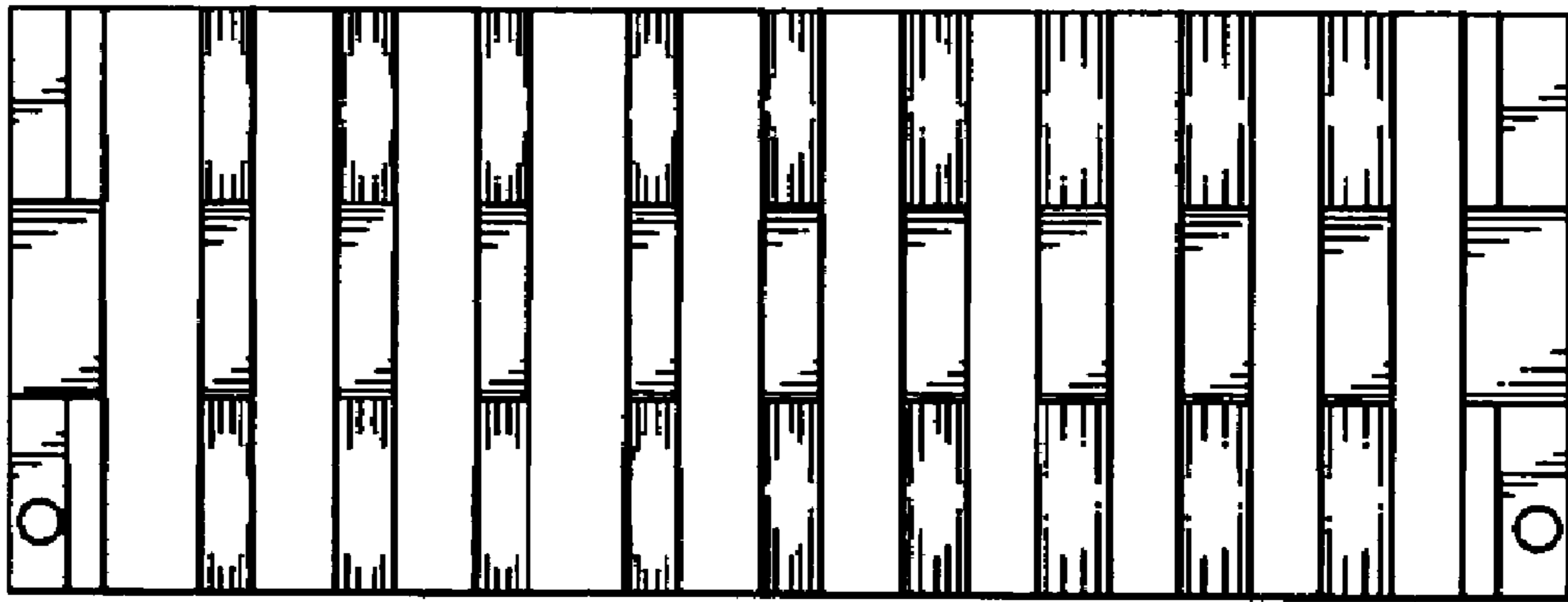


FIG. 6

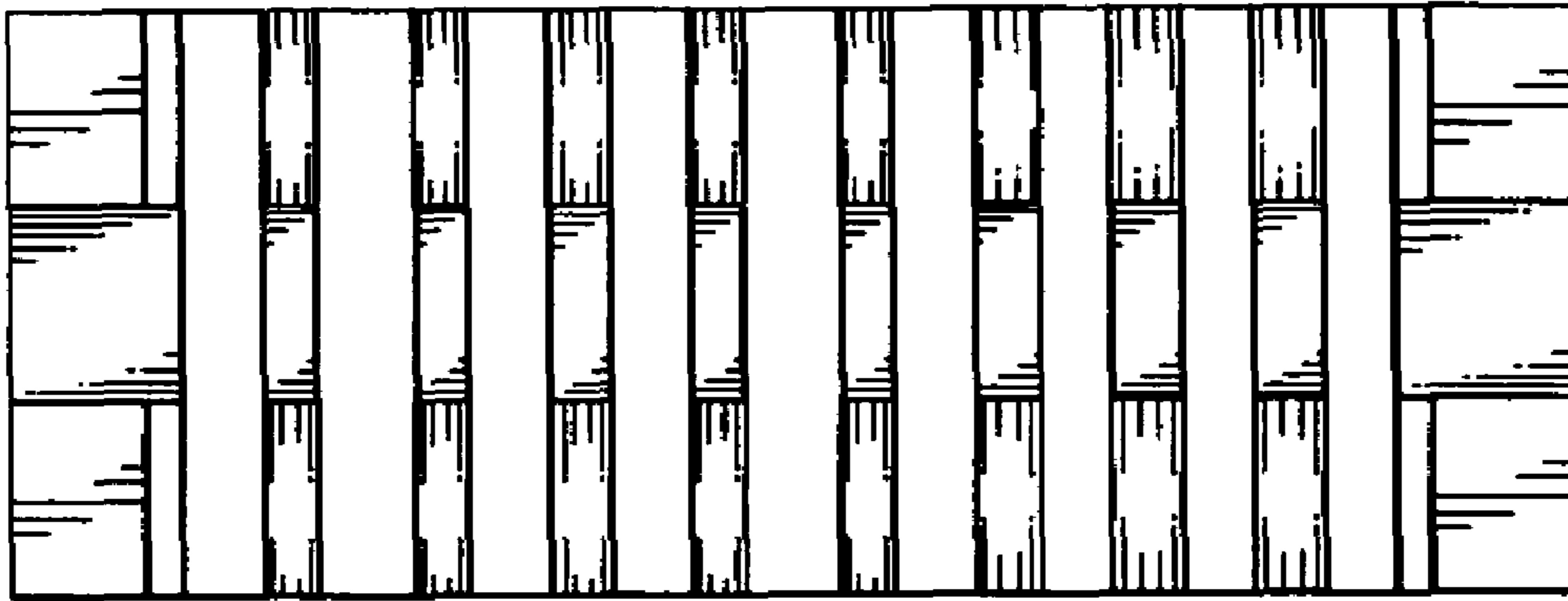


FIG. 7