



US00D597492S

(12) **United States Design Patent**  
**Sakamoto**

(10) **Patent No.:** **US D597,492 S**  
(45) **Date of Patent:** **\*\* Aug. 4, 2009**

(54) **CONNECTOR HOUSING**

(75) Inventor: **Tetsuma Sakamoto**, Tokyo (JP)

(73) Assignee: **Tyco Electronics AMP K.K.**,  
Kanagawa-ken (JP)

(\*\*) Term: **14 Years**

(21) Appl. No.: **29/327,933**

(22) Filed: **Nov. 14, 2008**

(30) **Foreign Application Priority Data**

Jun. 30, 2008 (JP) ..... 2008-016736

(51) **LOC (9) Cl.** ..... **13-03**

(52) **U.S. Cl.** ..... **D13/147**

(58) **Field of Classification Search** ..... D13/133,  
D13/146-147, 154, 184; 439/247-248, 350,  
439/352, 354, 357, 540.1, 541.5, 607-610,  
439/660, 677, 680, 682

See application file for complete search history.

(56) **References Cited**

**U.S. PATENT DOCUMENTS**

D410,629 S *	6/1999	Bandura et al.	.....	D13/147
D524,751 S *	7/2006	Lee et al.	.....	D13/147
D524,755 S *	7/2006	Kudo	.....	D13/147
D556,142 S *	11/2007	Kudo et al.	.....	D13/147
D559,187 S *	1/2008	Hayashi	.....	D13/147
D559,786 S *	1/2008	Kudo et al.	.....	D13/147
D564,968 S *	3/2008	Sakamoto	.....	D13/147

**FOREIGN PATENT DOCUMENTS**

JP	D1282971	10/2006
JP	D1282972	10/2006

\* cited by examiner

*Primary Examiner*—Daniel D Bui

(74) *Attorney, Agent, or Firm*—Barley Snyder LLC

(57) **CLAIM**

The ornamental design for a connector housing, as shown and described.

**DESCRIPTION**

FIG. 1 is a front elevation view of a connector housing, showing my new design;

FIG. 2 is a top plan view thereof;

FIG. 3 is a bottom plan view thereof;

FIG. 4 is a right side elevation view thereof;

FIG. 5 is a rear elevation view thereof;

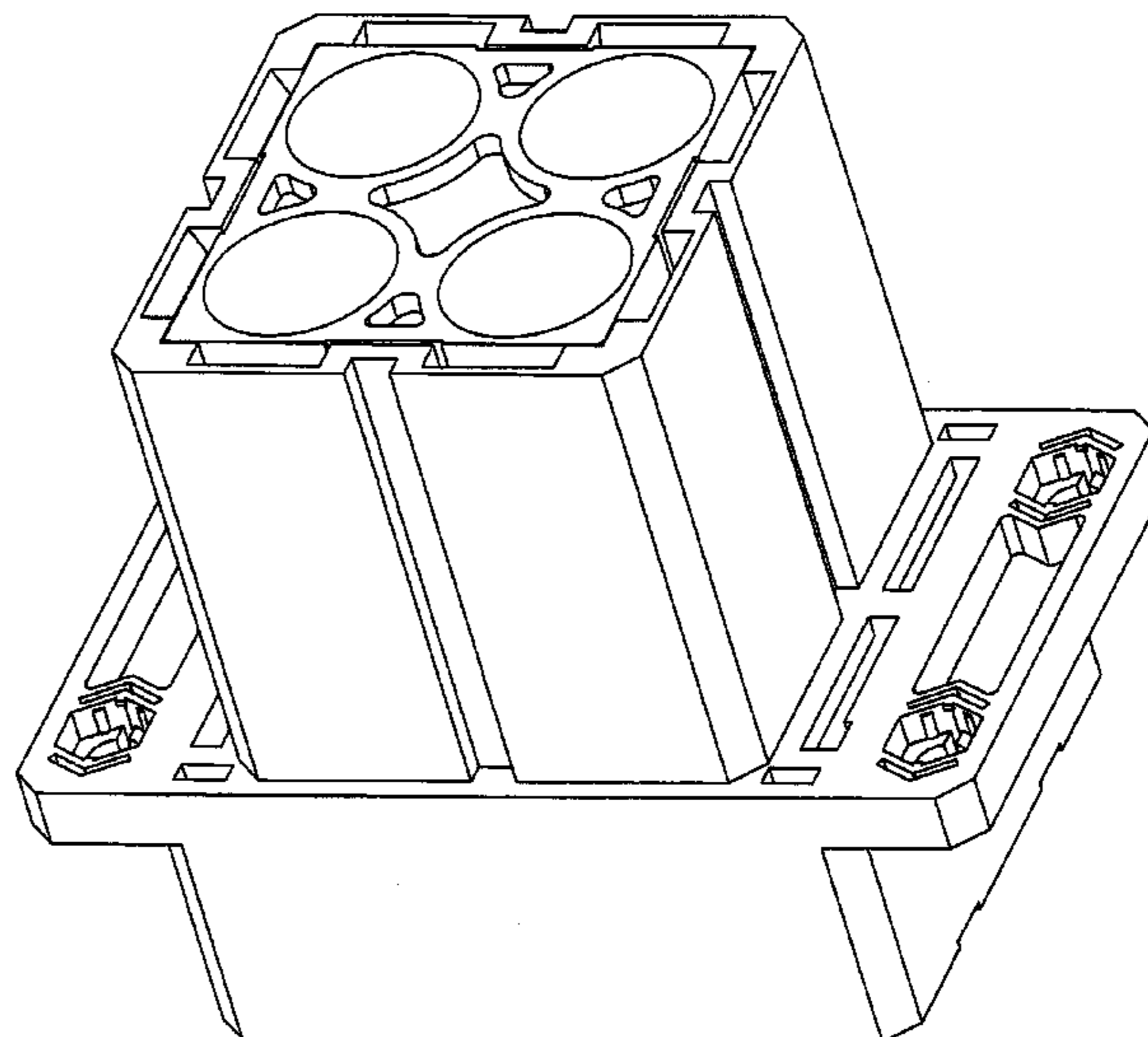
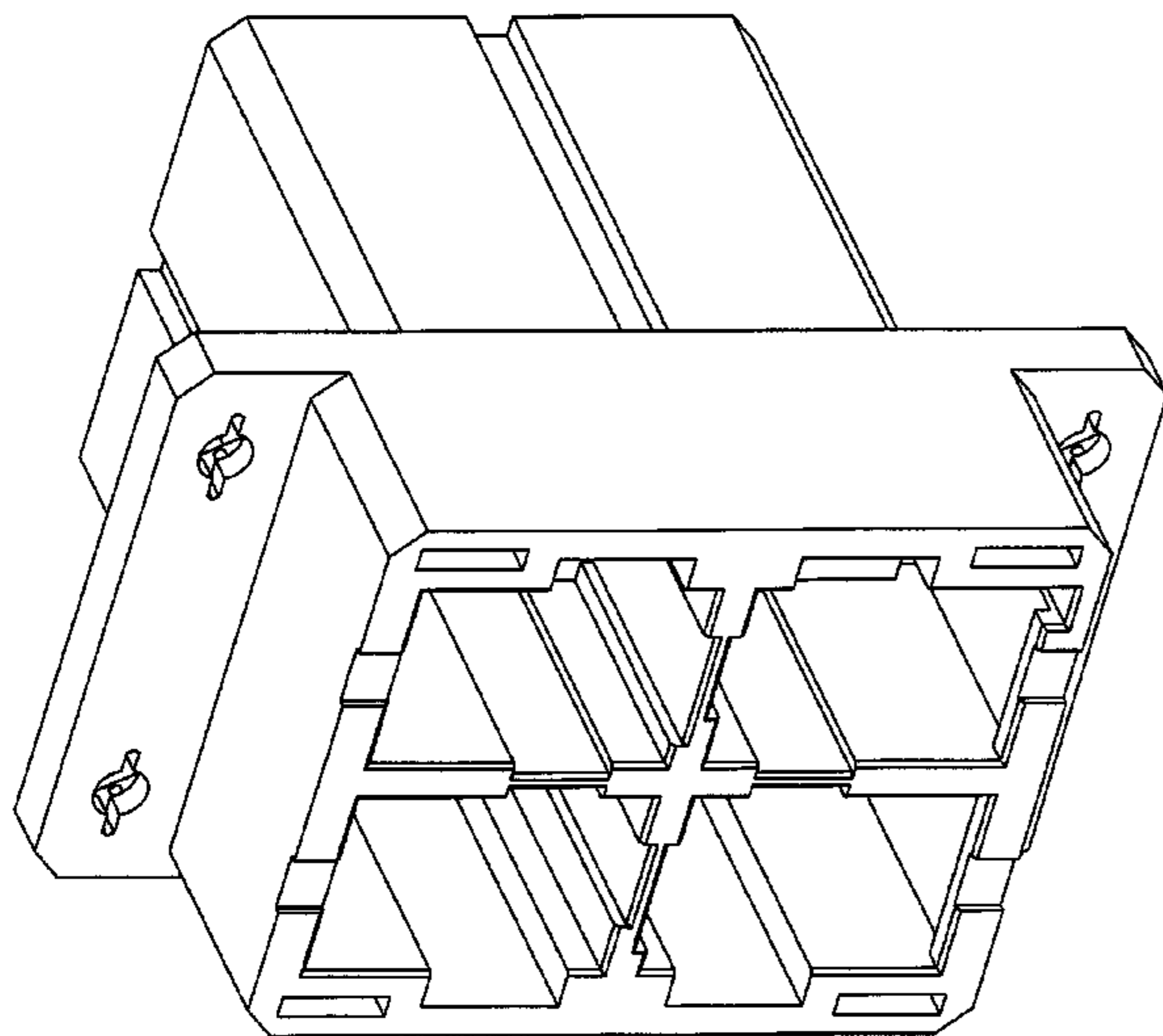
FIG. 6 is a cross sectional view thereof; taken along line 6—6 in FIG. 1 thereof;

FIG. 7 is a top, front and left side perspective view thereof; and,

FIG. 8 is a bottom, rear and right side view thereof.

The broken line portion in FIGS. 1 and 5 is included to show unclaimed subject matter only and forms no part of the claimed design.

**1 Claim, 8 Drawing Sheets**



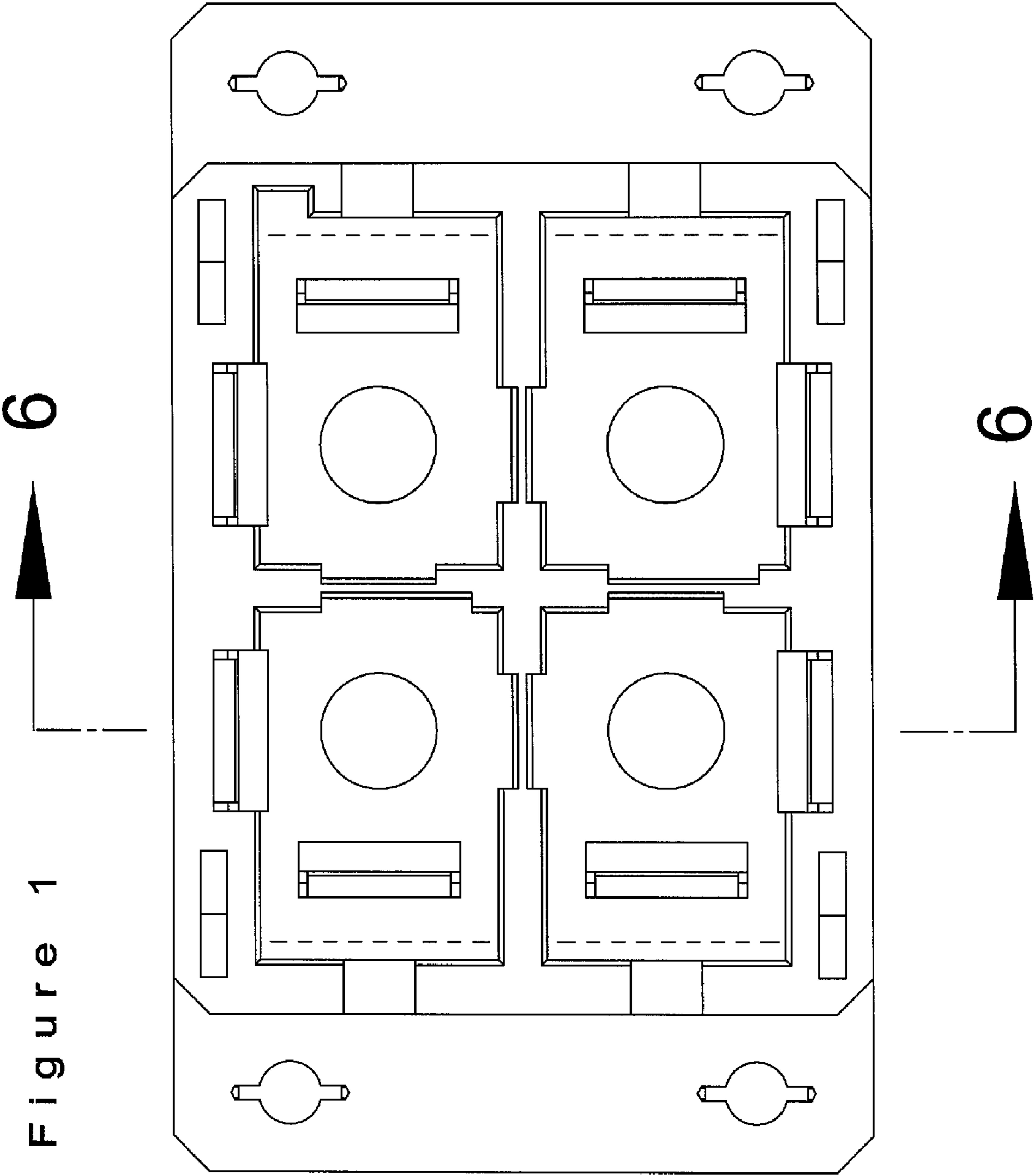


Figure 1

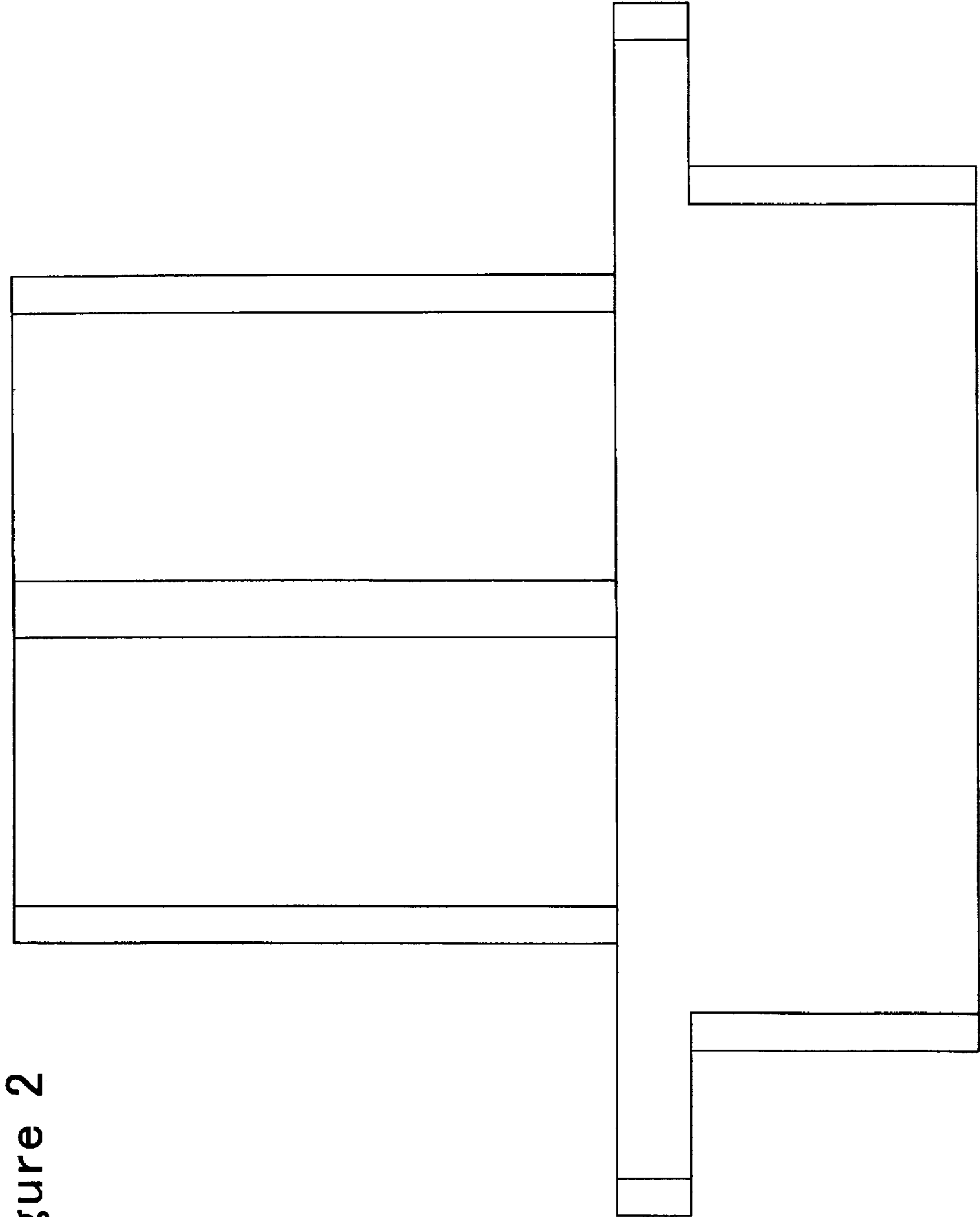


Figure 2

Figure 3

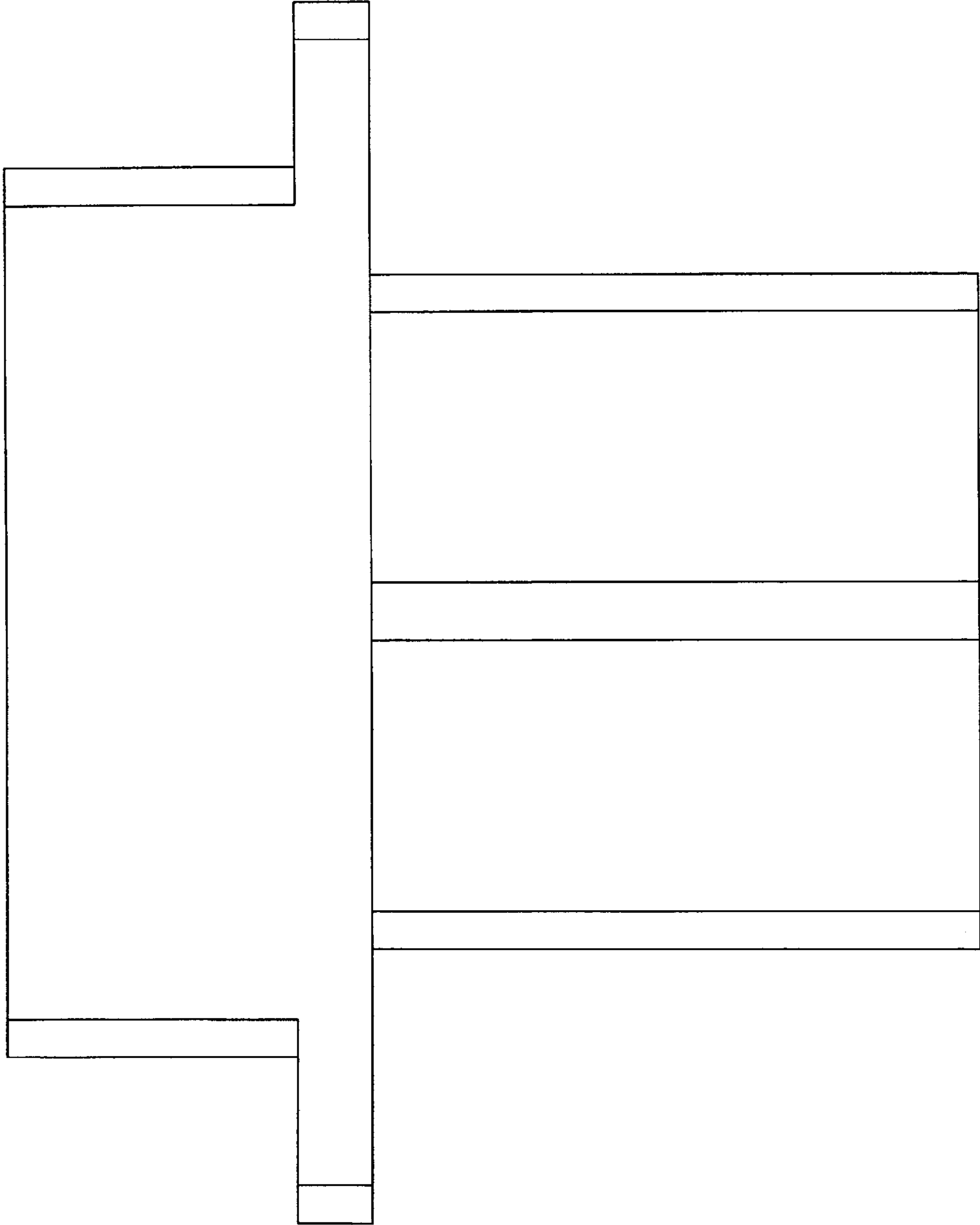
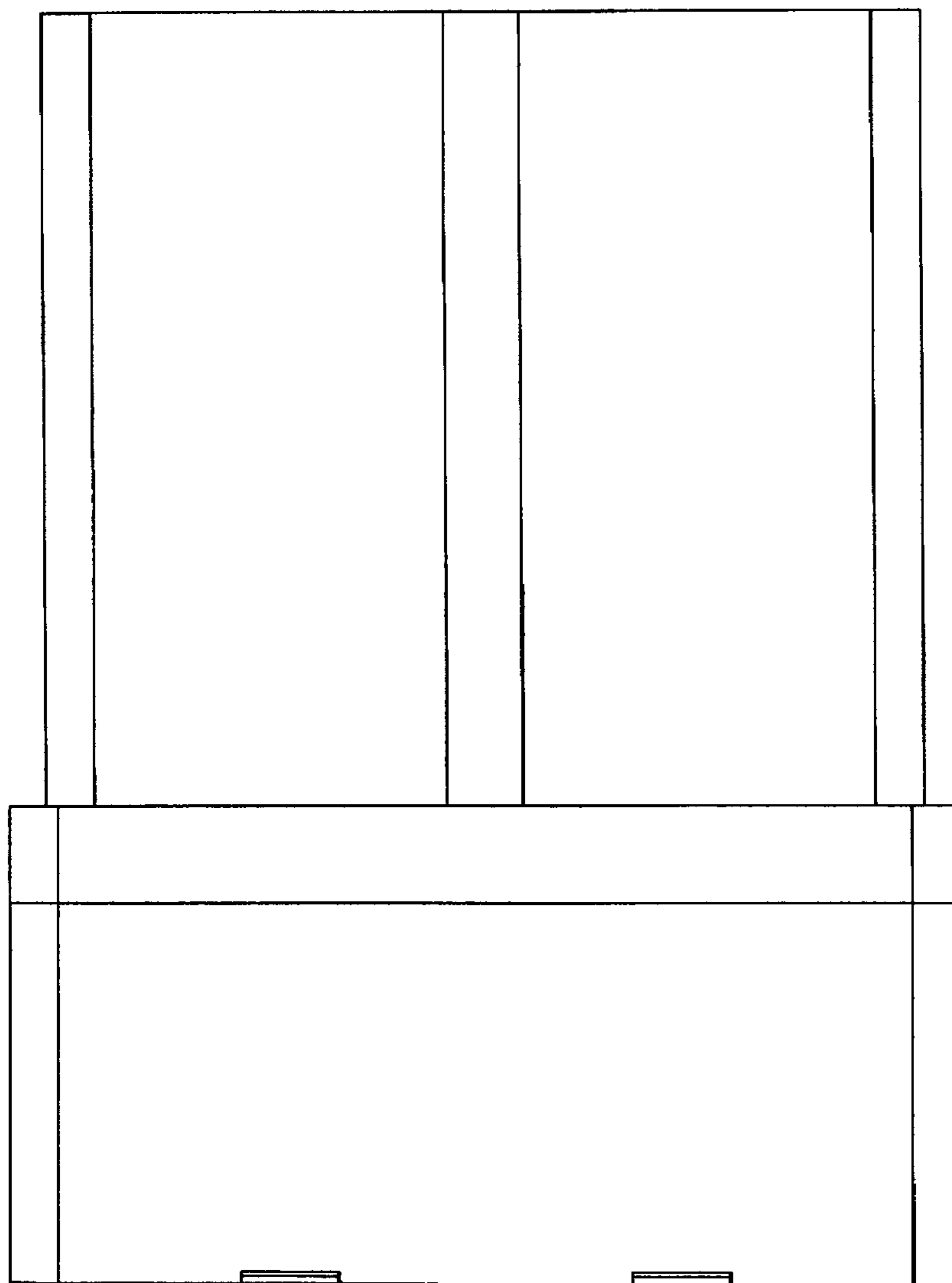


Figure 4



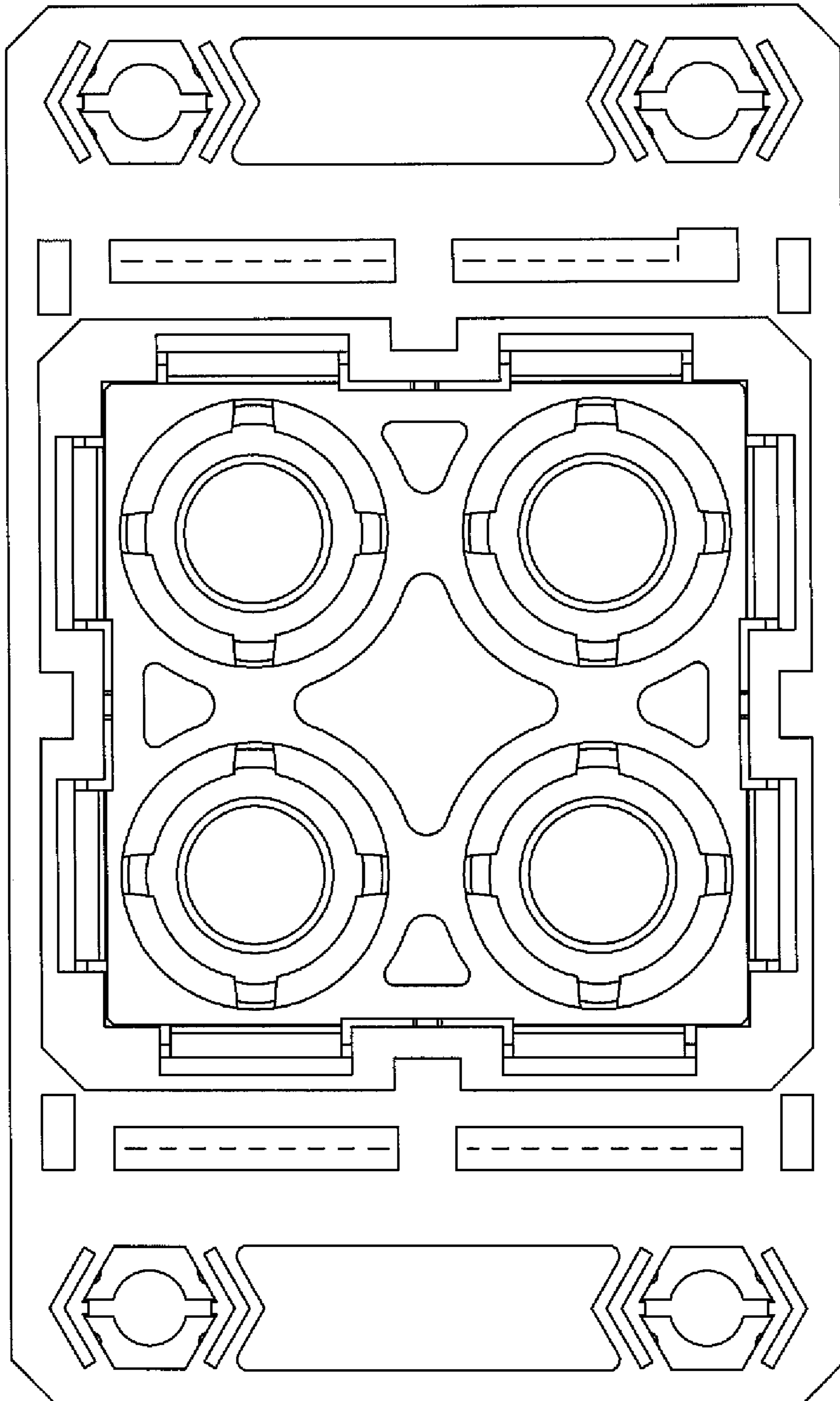
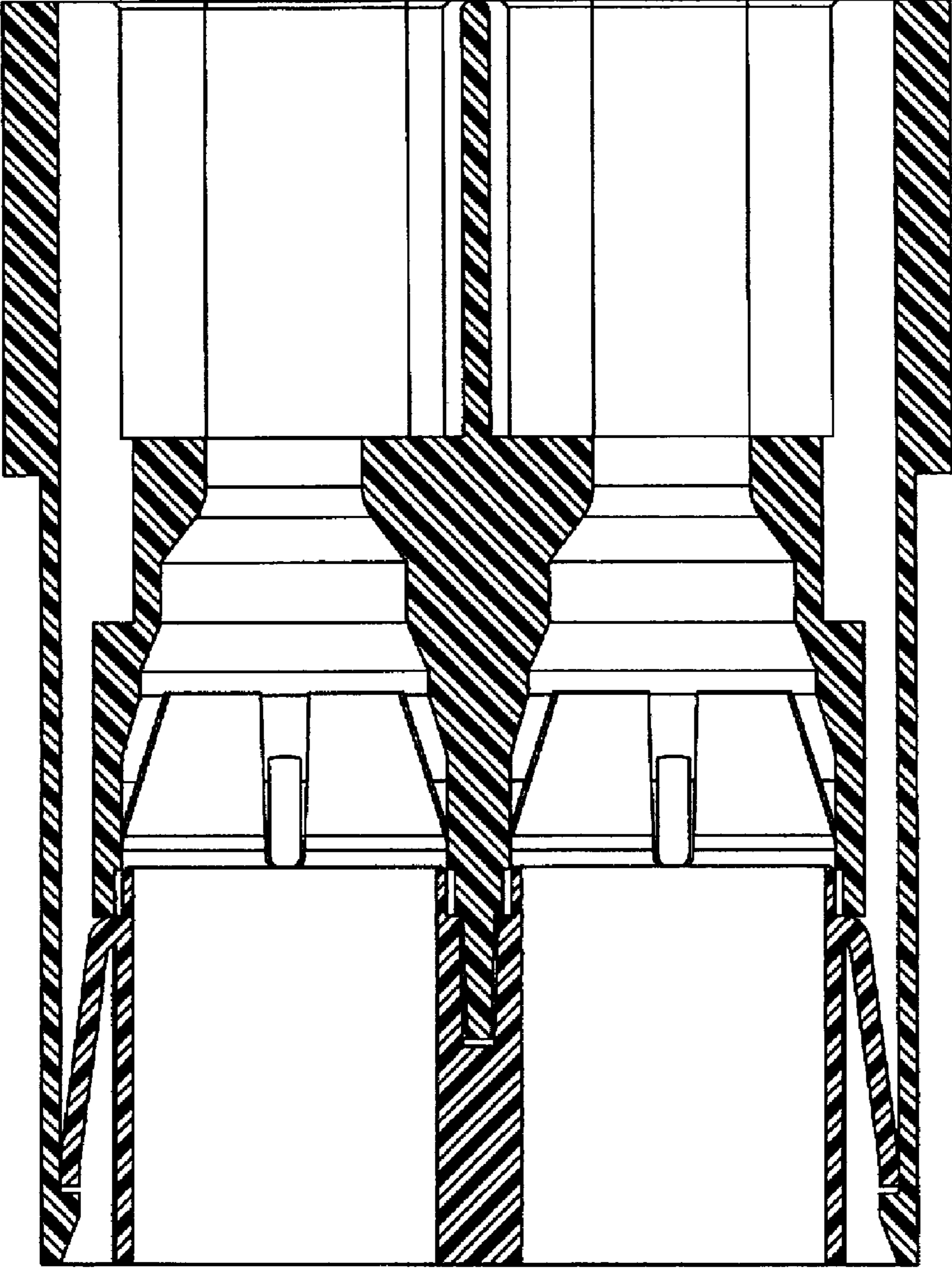


Figure 5

Figure 6





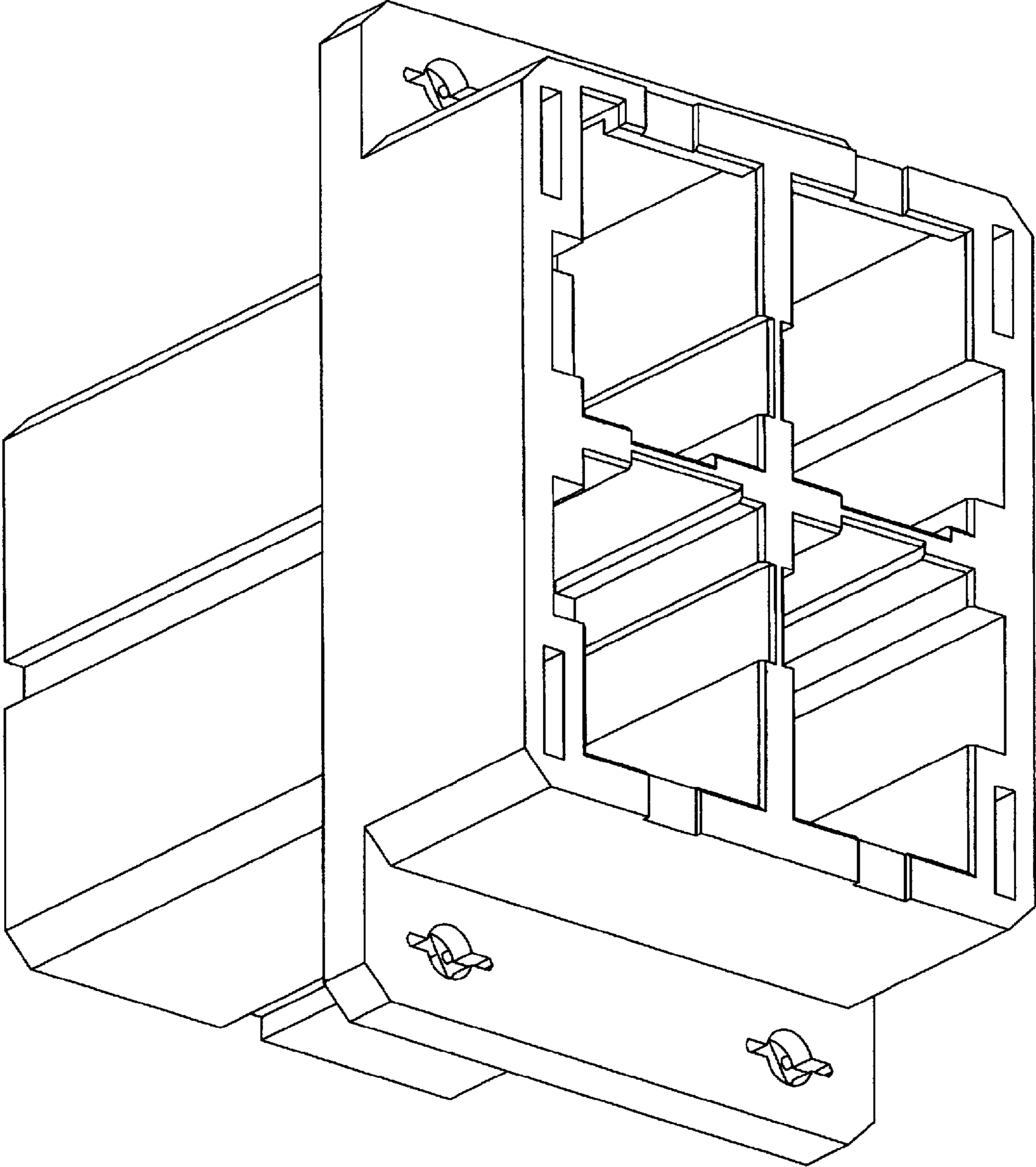


Figure 7



Figure 8

