



US00D597491S

(12) **United States Design Patent**
Sakamoto

(10) **Patent No.:** **US D597,491 S**

(45) **Date of Patent:** **** Aug. 4, 2009**

(54) **ELECTRICAL CONNECTOR**

(75) Inventor: **Tetsuma Sakamoto**, Tokyo (JP)

(73) Assignee: **Tyco Electronics AMP K.K.**,
Kanagawa-ken (JP)

(**) Term: **14 Years**

(21) Appl. No.: **29/327,917**

(22) Filed: **Nov. 14, 2008**

(51) **LOC (9) Cl.** **13-03**

(52) **U.S. Cl.** **D13/147**

(58) **Field of Classification Search** D13/133,
D13/146-147, 154, 184; 439/247-248, 350,
439/352, 354, 357, 540.1, 541.5, 607-610,
439/660, 677, 680, 682

See application file for complete search history.

(56) **References Cited**

U.S. PATENT DOCUMENTS

6,383,011	B2 *	5/2002	Chen	439/358
D517,992	S *	3/2006	Riku	D13/147
D519,462	S *	4/2006	Kudo	D13/147
D524,755	S *	7/2006	Kudo	D13/147
D552,556	S *	10/2007	Sakamoto	D13/147
D552,557	S *	10/2007	Sakamoto	D13/147
D556,140	S *	11/2007	Sakamoto	D13/147
D556,142	S *	11/2007	Kudo et al.	D13/147
D570,783	S *	6/2008	So	D13/147

FOREIGN PATENT DOCUMENTS

JP D1319753 1/2008

* cited by examiner

Primary Examiner—Daniel D Bui

(74) *Attorney, Agent, or Firm*—Barley Snyder LLC

(57) **CLAIM**

The ornamental design for an electrical connector, as shown and described.

DESCRIPTION

FIG. 1 is a front elevation view of an electrical connector, showing my new design;

FIG. 2 is a top plan view thereof;

FIG. 3 is a bottom plan view thereof;

FIG. 4 is a right side elevation view thereof;

FIG. 5 is a rear elevation view thereof;

FIG. 6 is a cross sectional view thereof; taken along line 6—6 in FIG. 1 thereof;

FIG. 7 is a top, front and right side perspective view thereof; and,

FIG. 8 is a bottom, rear and left side view thereof.

The broken line portion in the drawing views is included to show unclaimed subject matter only and forms no part of the claimed design.

1 Claim, 8 Drawing Sheets

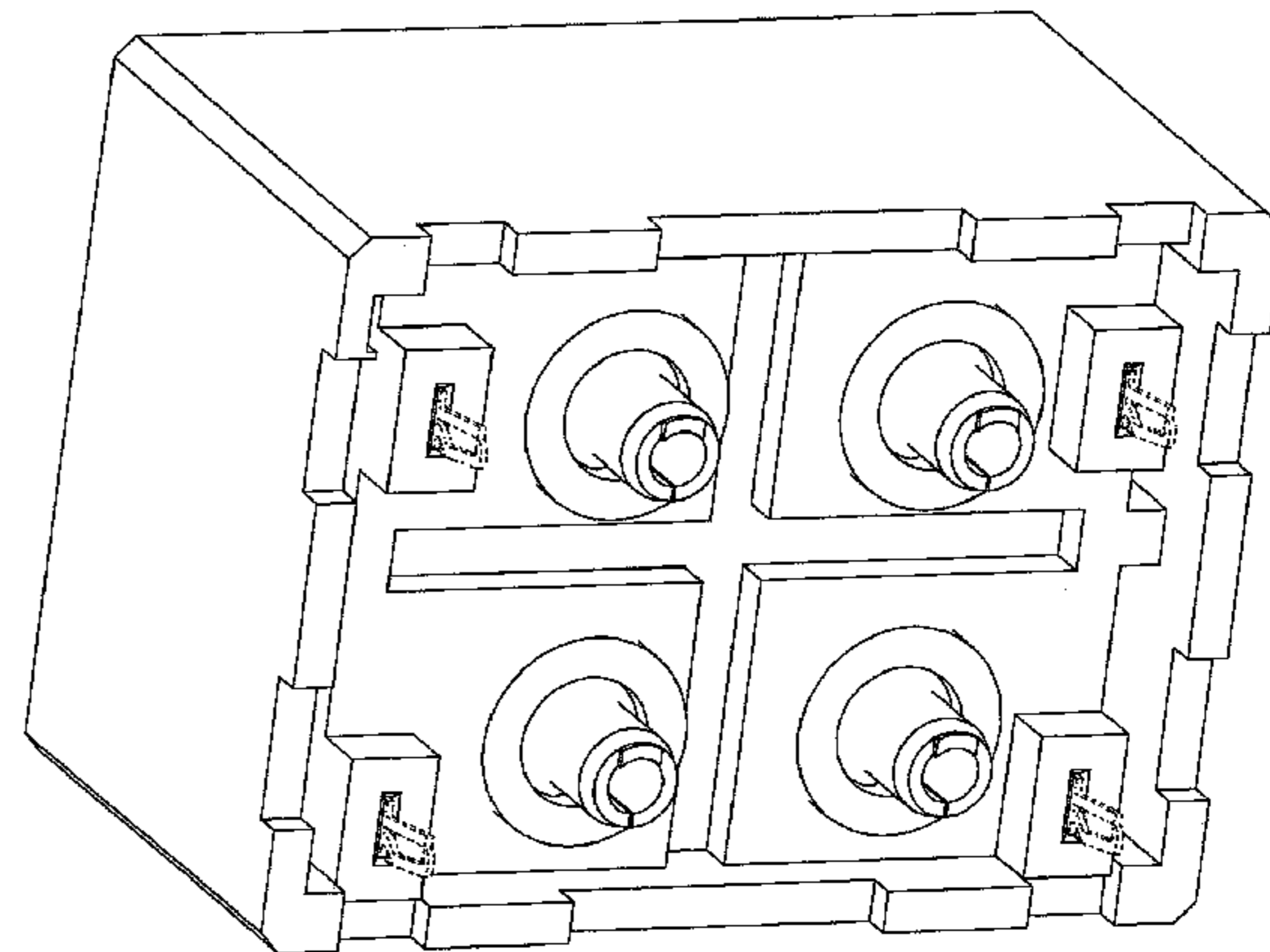
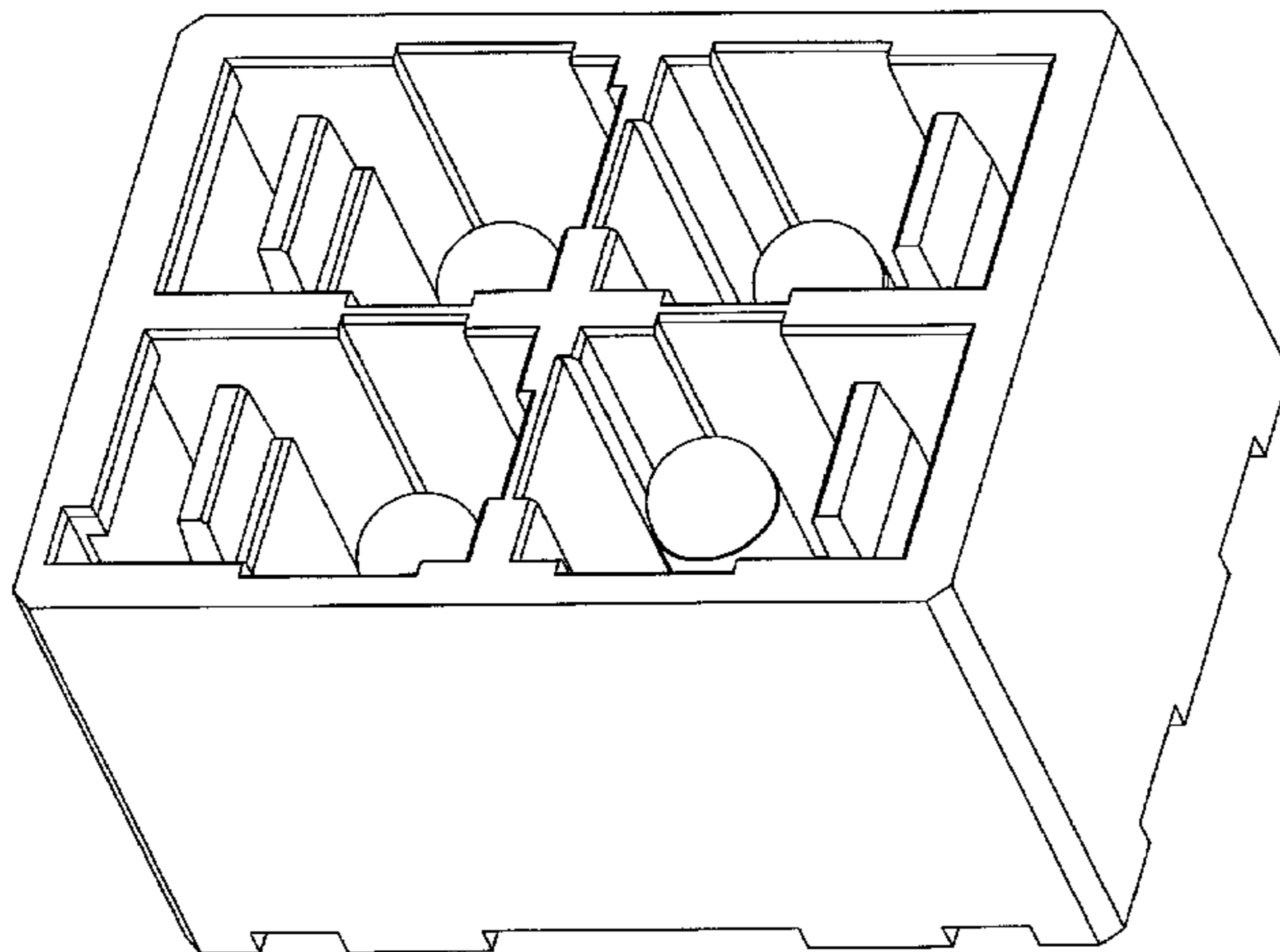


Figure 1

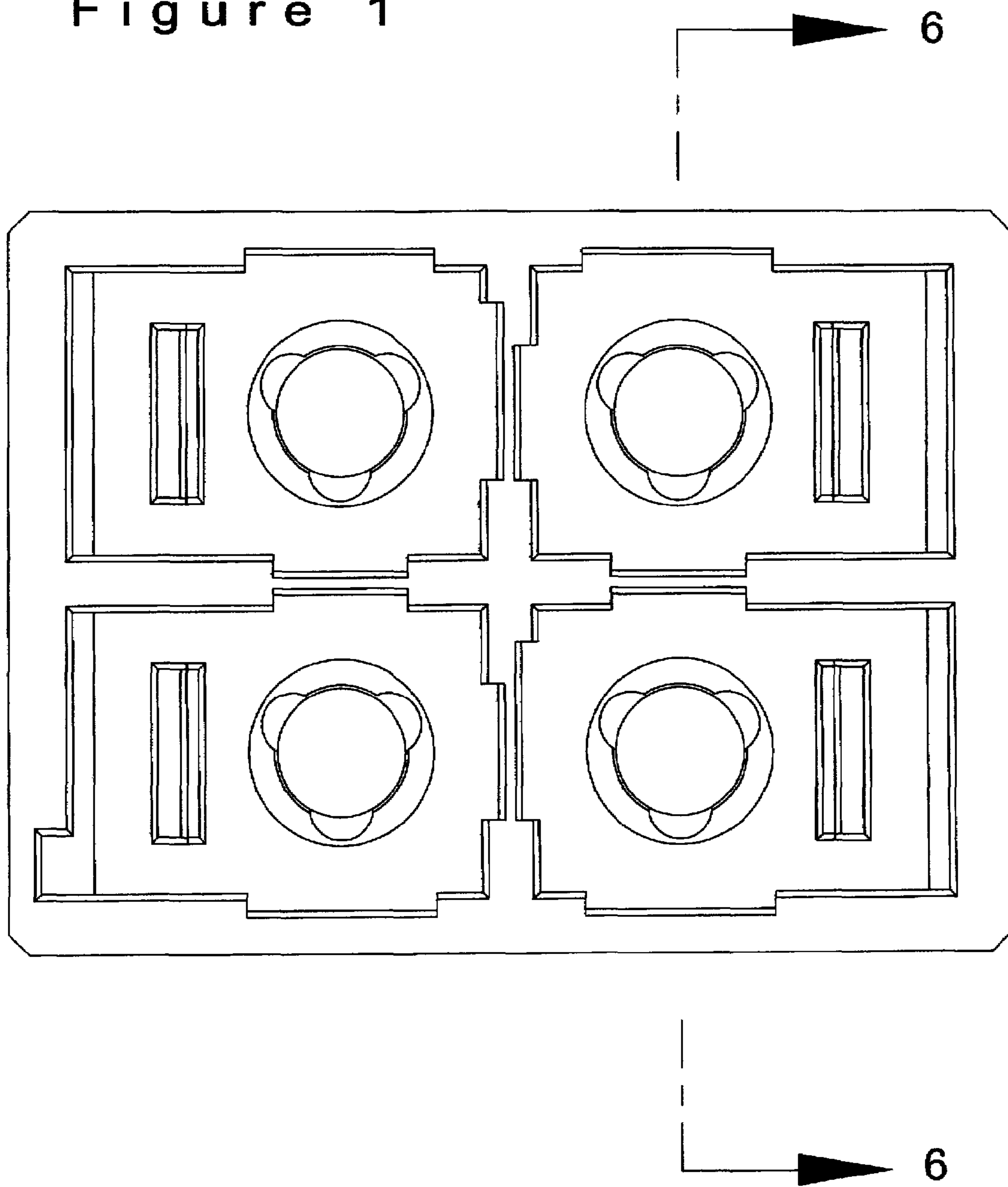


Figure 2

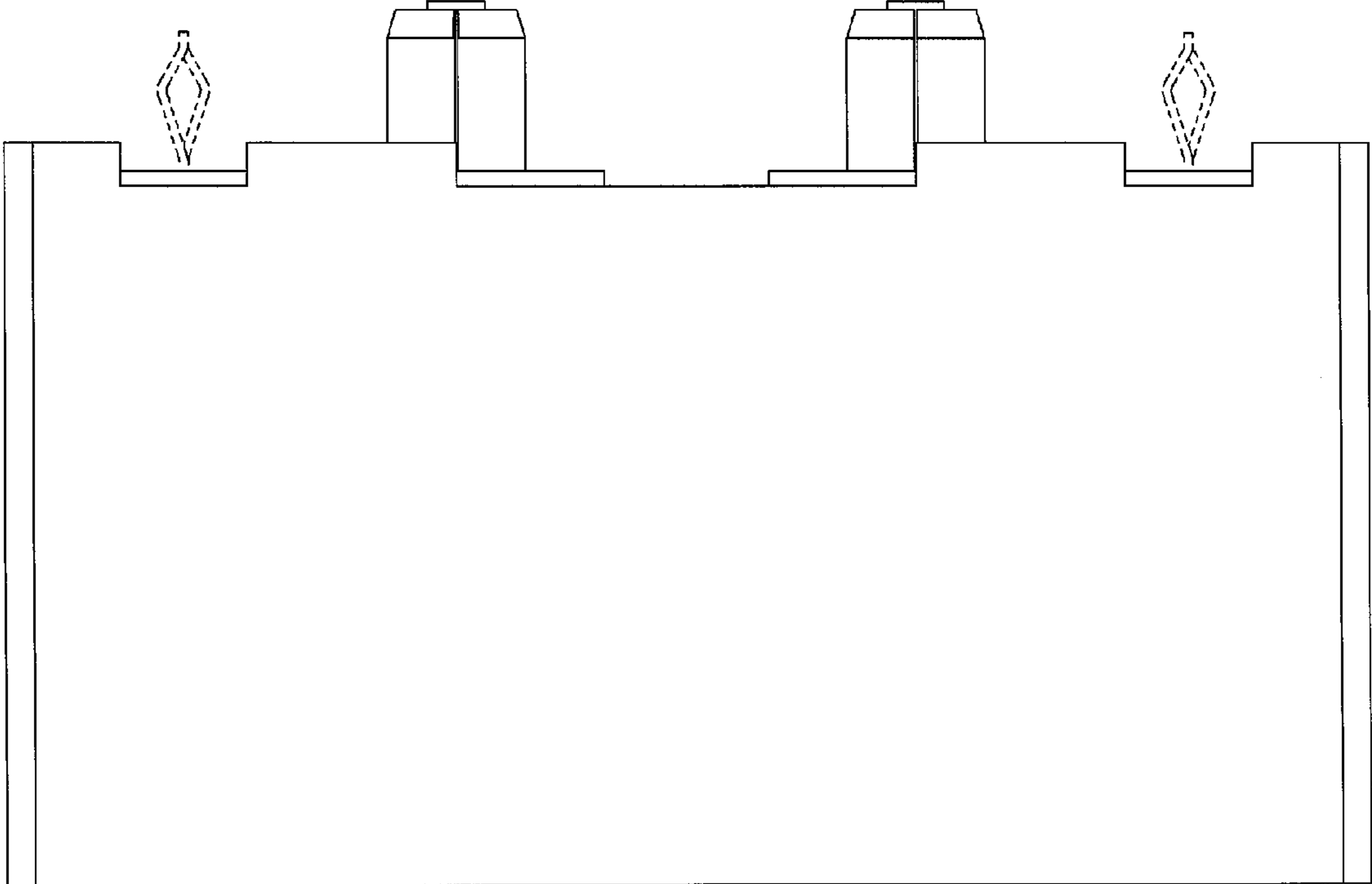


Figure 3

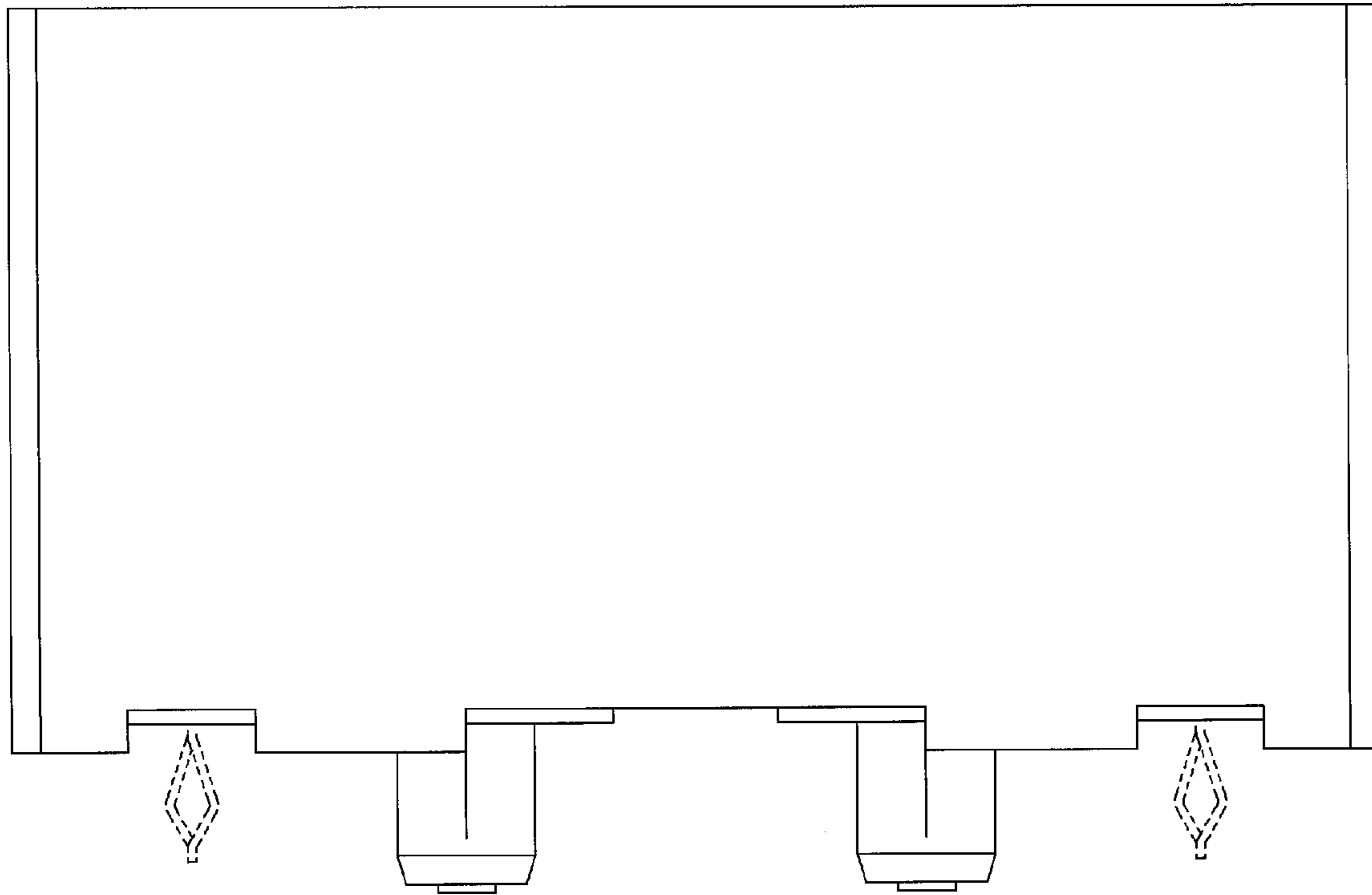


Figure 4

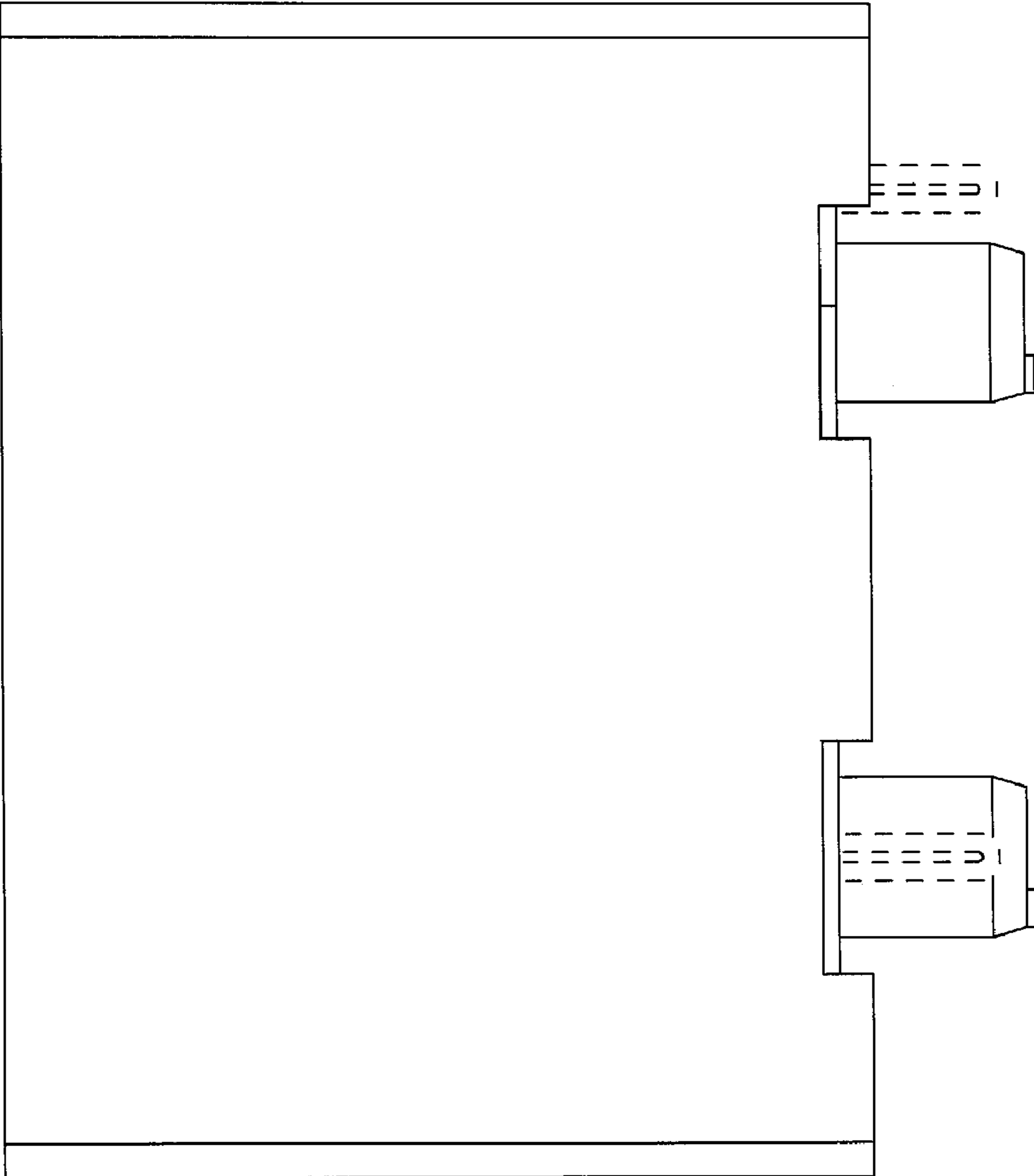


Figure 5

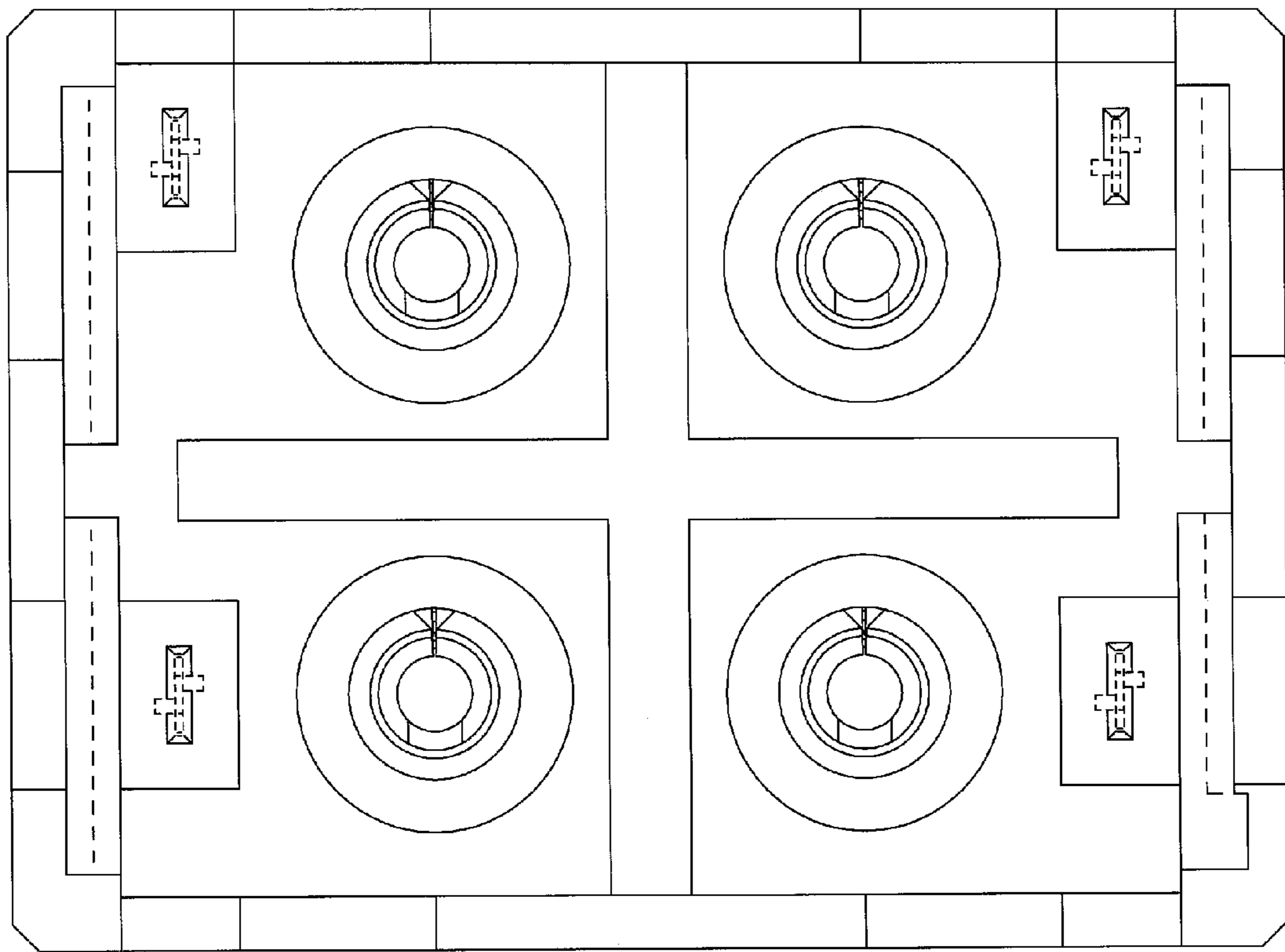


Figure 6

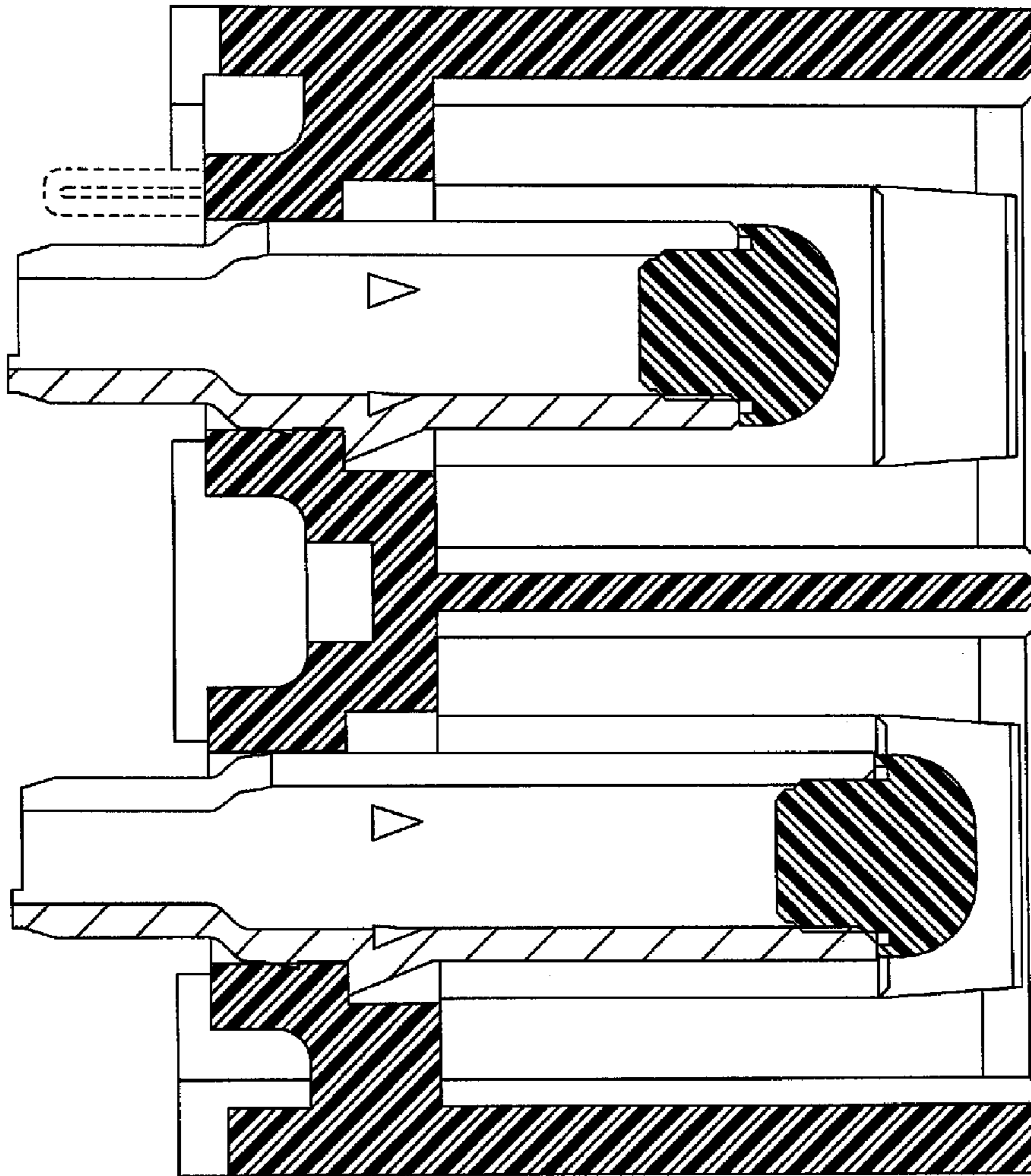


Figure 7

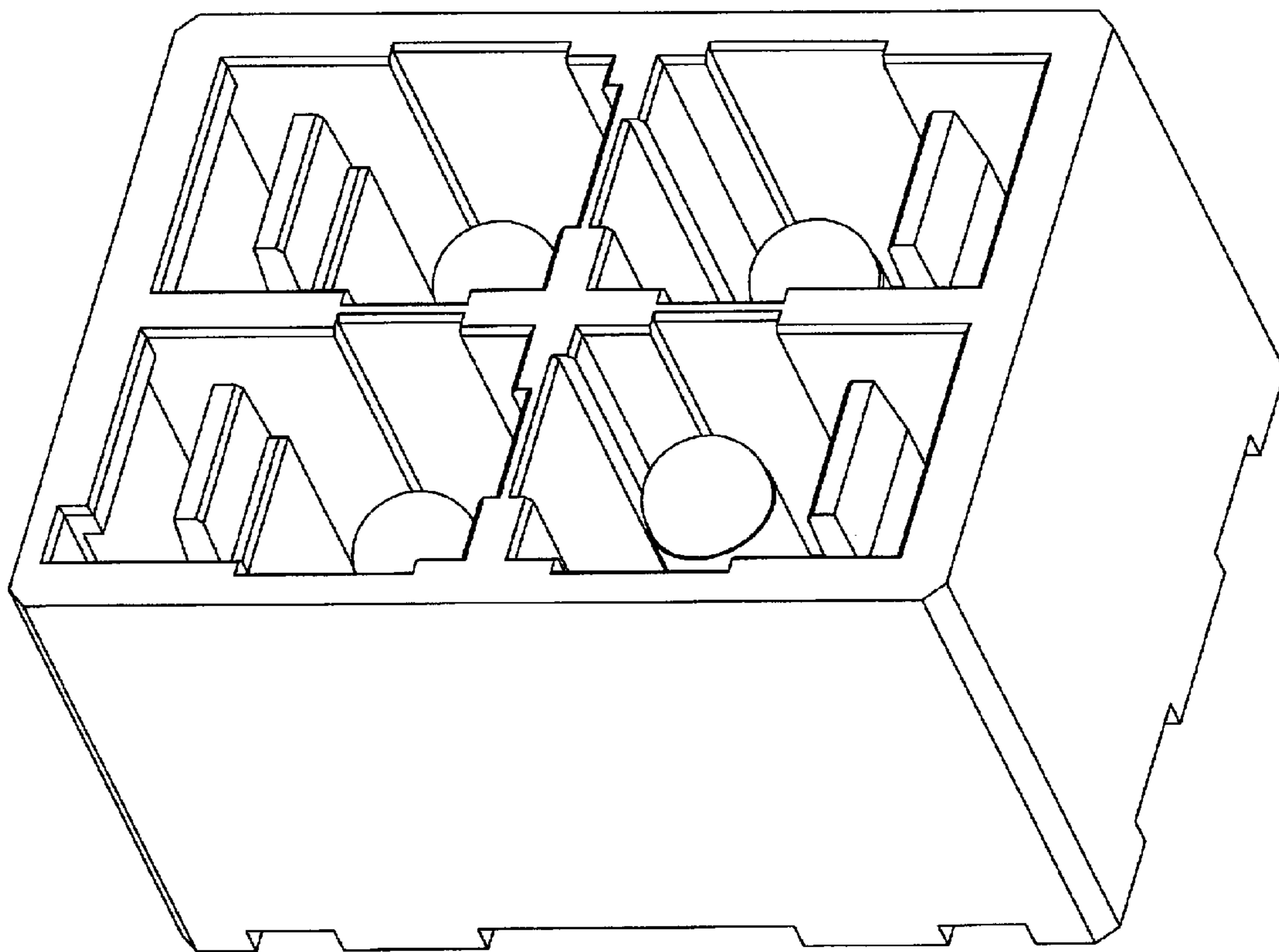
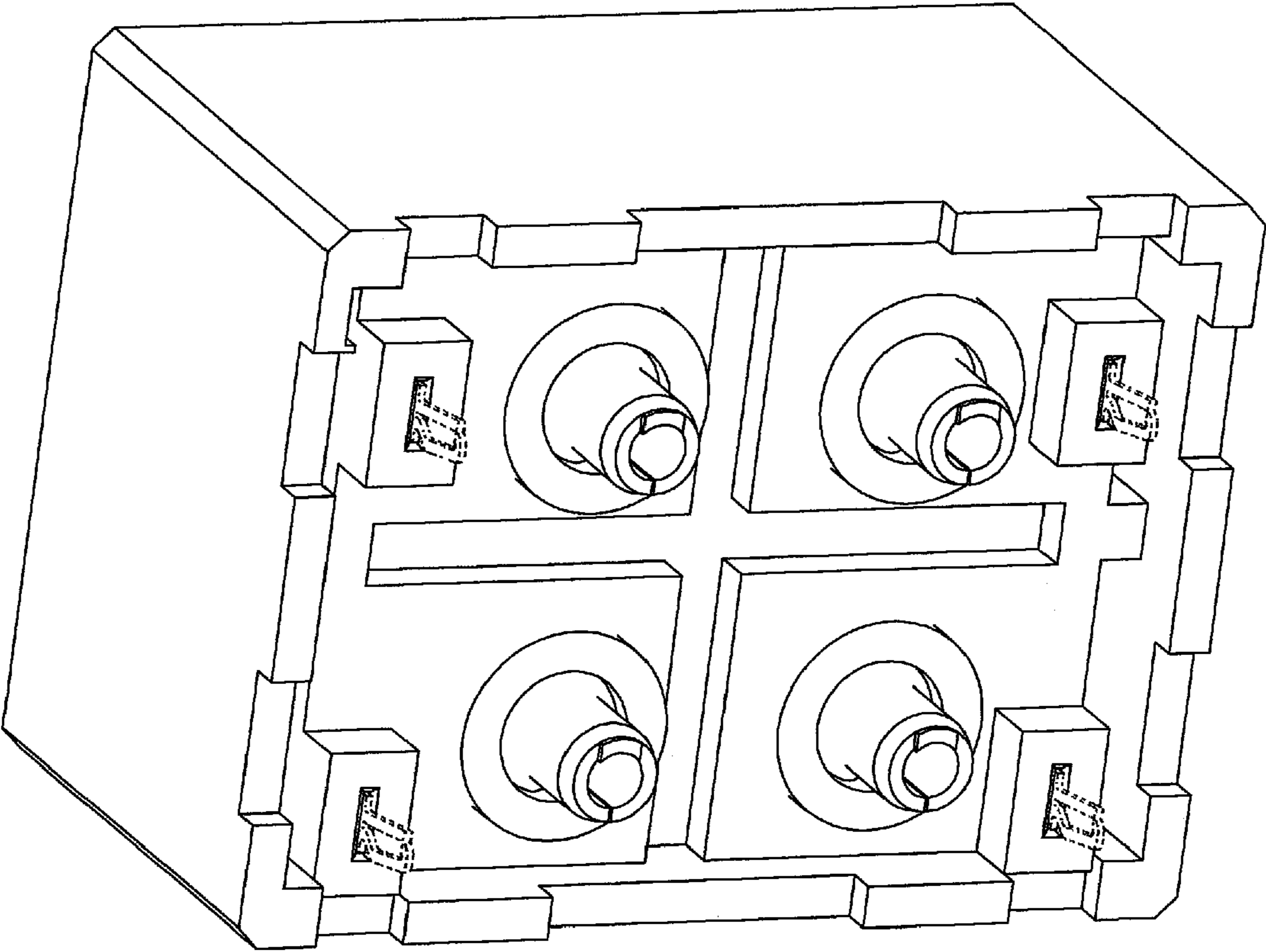


Figure 8



UNITED STATES PATENT AND TRADEMARK OFFICE
CERTIFICATE OF CORRECTION

PATENT NO. : Des. 597,491 S
APPLICATION NO. : 29/327917
DATED : August 4, 2009
INVENTOR(S) : Tetsuma Sakamoto

Page 1 of 1

It is certified that error appears in the above-identified patent and that said Letters Patent is hereby corrected as shown below:

On the title page Item (30)

Kindly add to the cover page of the Patent:

Foreign Application Priority Data May 6, 2008 (JP) 2008-012223

Signed and Sealed this

Twenty-seventh Day of October, 2009



David J. Kappos
Director of the United States Patent and Trademark Office