

US00D597489S

(12) **United States Design Patent**  
**Duan et al.**

(10) **Patent No.:** **US D597,489 S**

(45) **Date of Patent:** **\*\* Aug. 4, 2009**

(54) **CONNECTOR**

(75) Inventors: **Li Yang Duan**, Tu-Cheng (TW); **Wei Hong Liao**, Tu-Cheng (TW); **Ming Chiang Chen**, Tu-Cheng (TW)

(73) Assignee: **Cheng Uei Precision Industry Co., Ltd.**, Taipei Hsien (TW)

(\*\*) Term: **14 Years**

(21) Appl. No.: **29/309,081**

(22) Filed: **Jun. 19, 2008**

(51) **LOC (9) Cl.** ..... **13-03**

(52) **U.S. Cl.** ..... **D13/147**

(58) **Field of Classification Search** ..... D13/146-147,  
D13/154, 184; 439/79, 108, 378, 607-610,  
439/660, 668, 680

See application file for complete search history.

(56) **References Cited**

**U.S. PATENT DOCUMENTS**

D540,746 S *	4/2007	Watanabe et al.	.....	D13/147
D543,151 S *	5/2007	Watanabe et al.	.....	D13/147
D555,100 S *	11/2007	Ikegami	.....	D13/147
D569,345 S *	5/2008	Ikegami	.....	D13/147

D582,347 S *	12/2008	Fujimoto et al.	.....	D13/147
D583,758 S *	12/2008	Cheng et al.	.....	D13/133
D584,691 S *	1/2009	Koyama et al.	.....	D13/147
D585,829 S *	2/2009	Ko et al.	.....	D13/147

\* cited by examiner

*Primary Examiner*—Daniel D Bui

(74) *Attorney, Agent, or Firm*—Rosenberg, Klein & Lee

(57) **CLAIM**

The ornamental design for a connector, as shown and described.

**DESCRIPTION**

FIG. 1 is a perspective view of a connector showing our new design;

FIG. 2 is a front elevational view thereof;

FIG. 3 is a rear elevational view thereof;

FIG. 4 is a left side elevational view thereof;

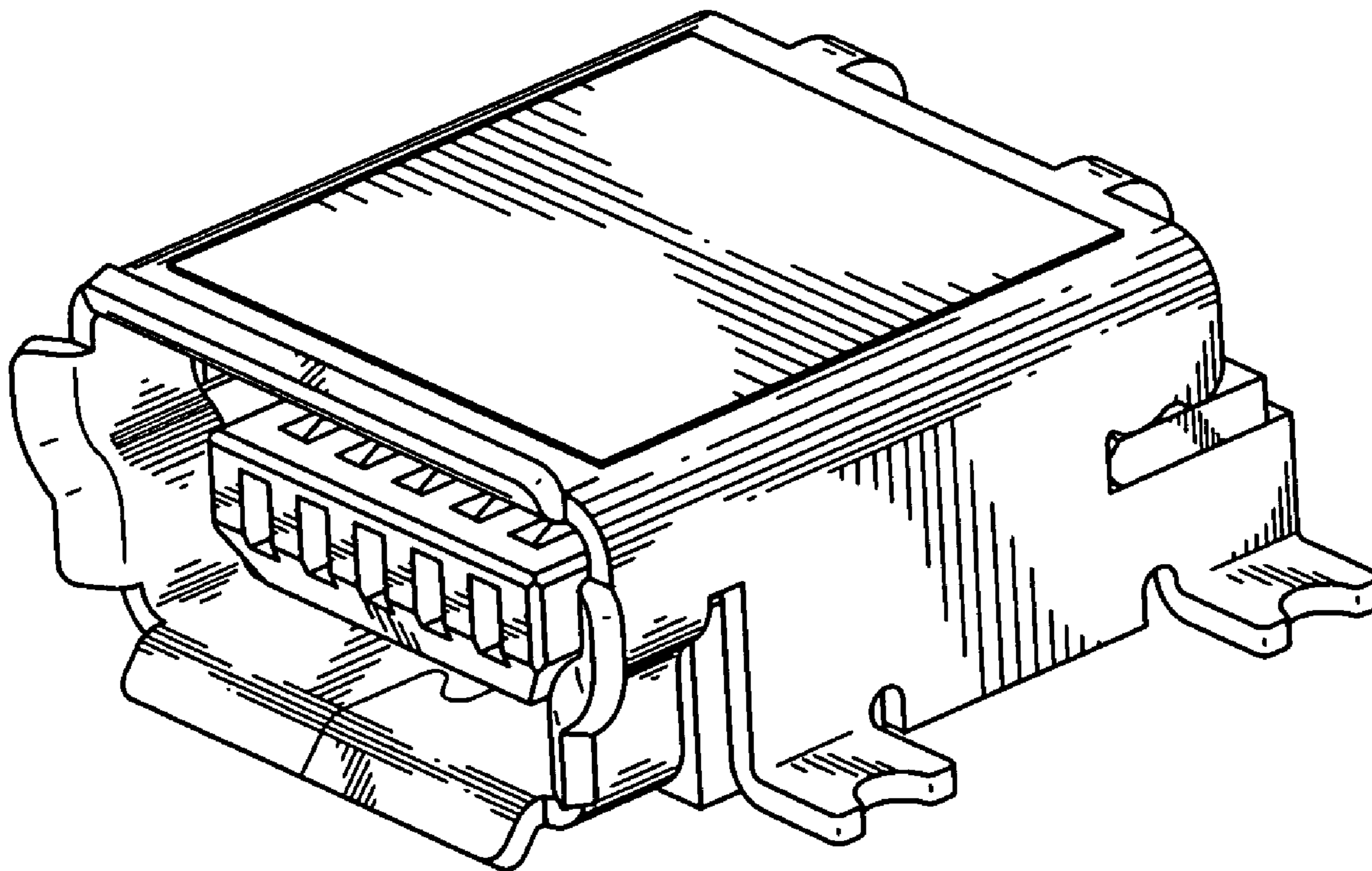
FIG. 5 is a right side elevational view thereof;

FIG. 6 is a top plan view thereof;

FIG. 7 is a bottom plan view thereof; and,

FIG. 8 is another perspective view of the connector.

**1 Claim, 8 Drawing Sheets**



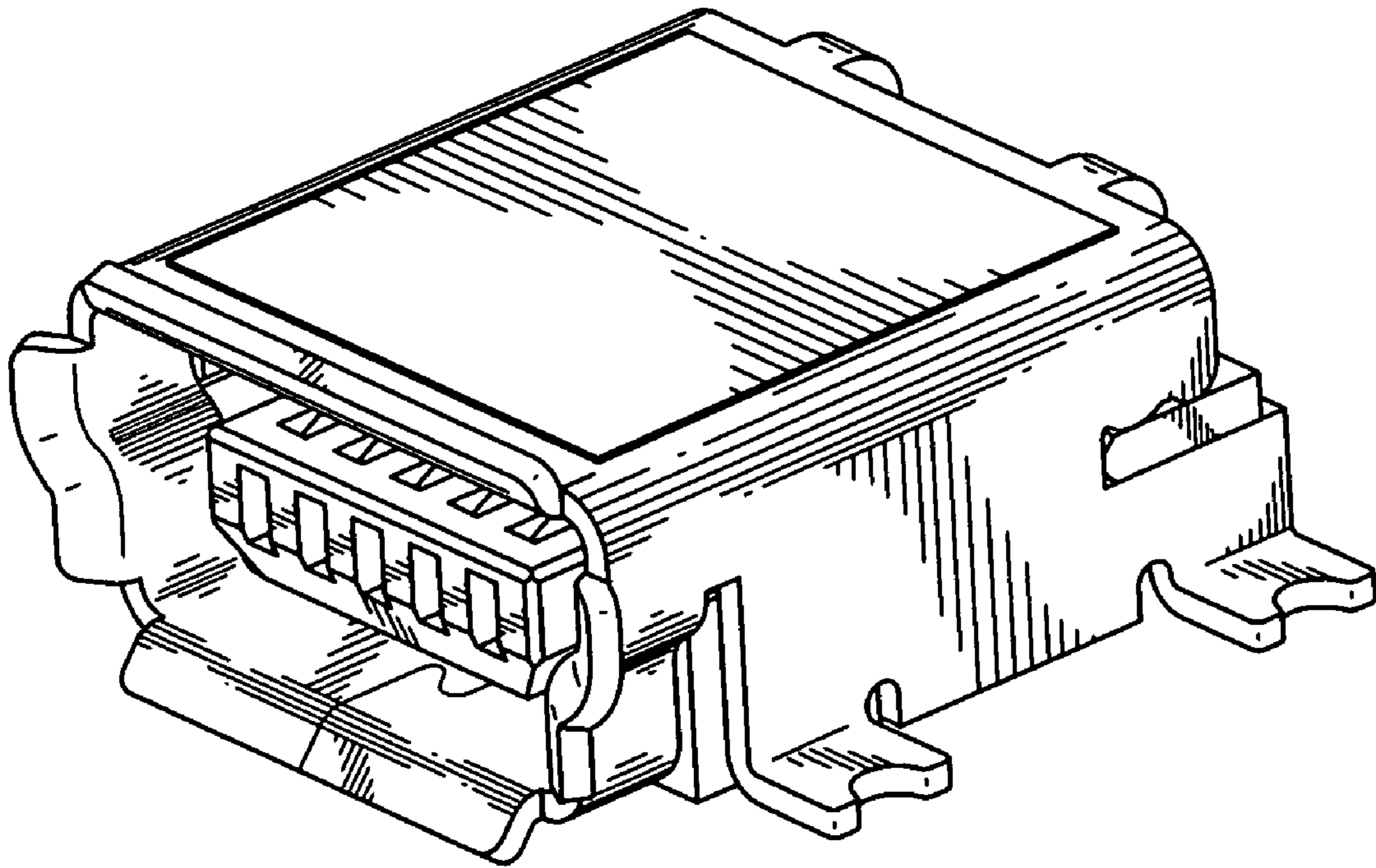


FIG. 1

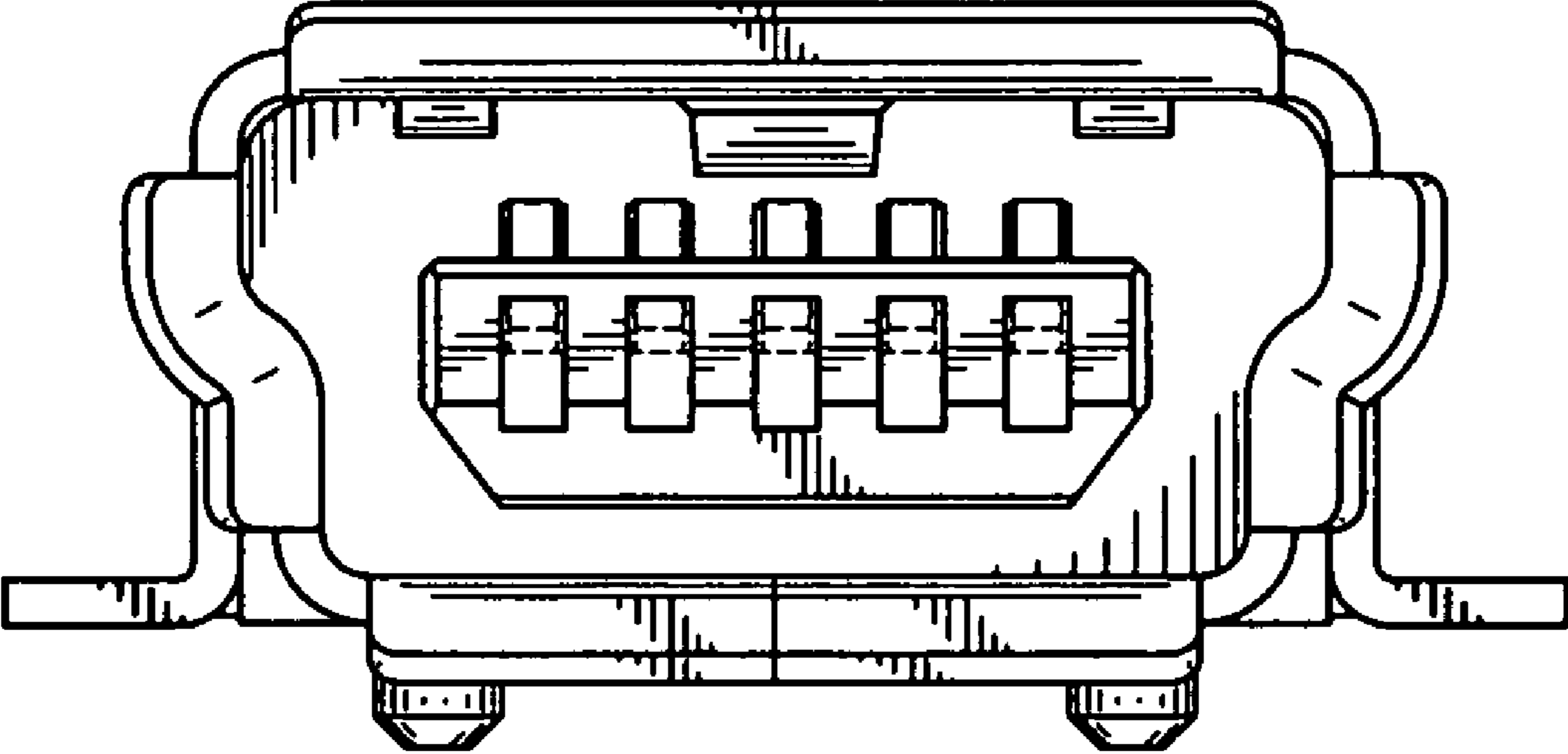


FIG. 2

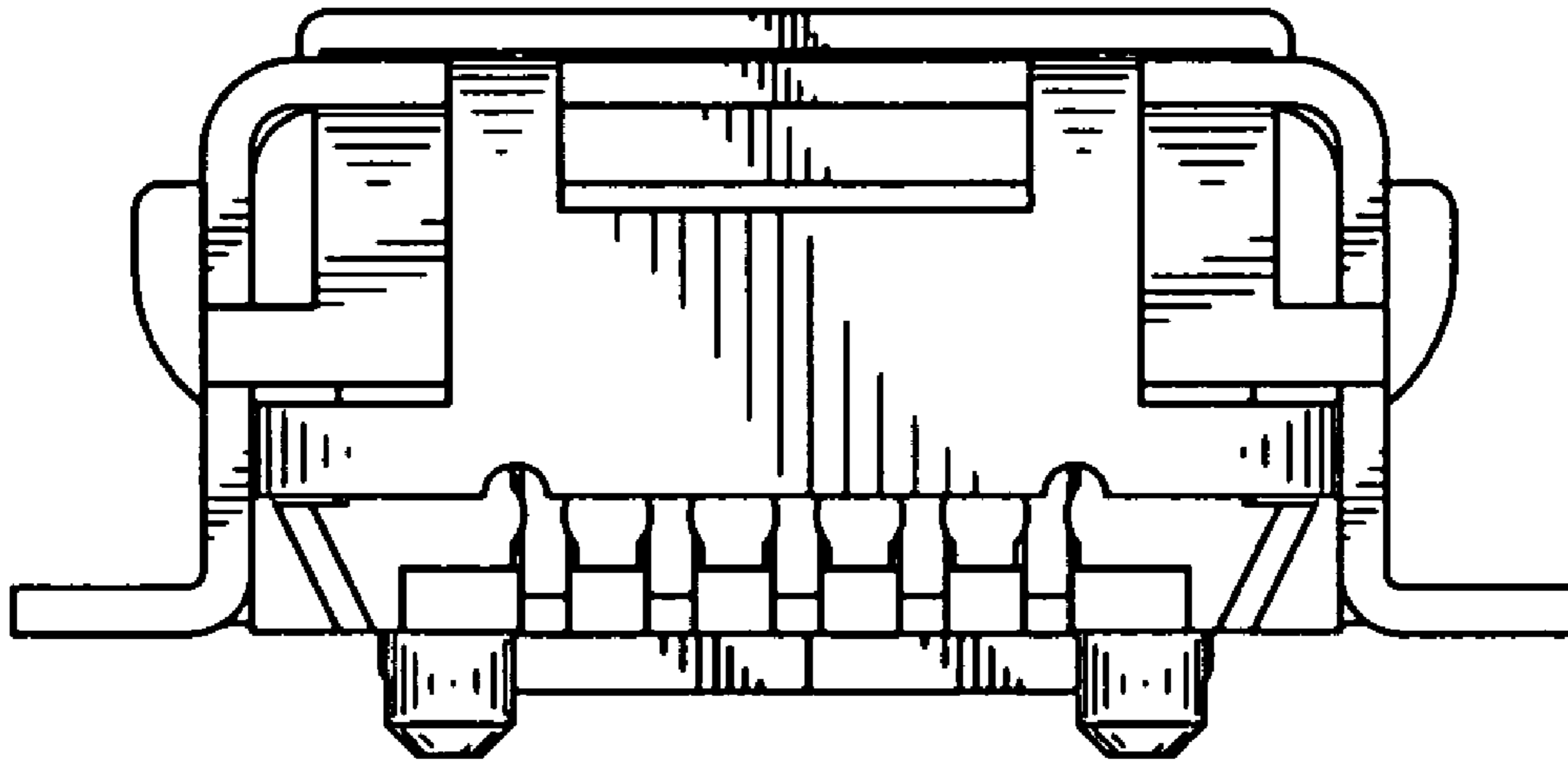


FIG. 3

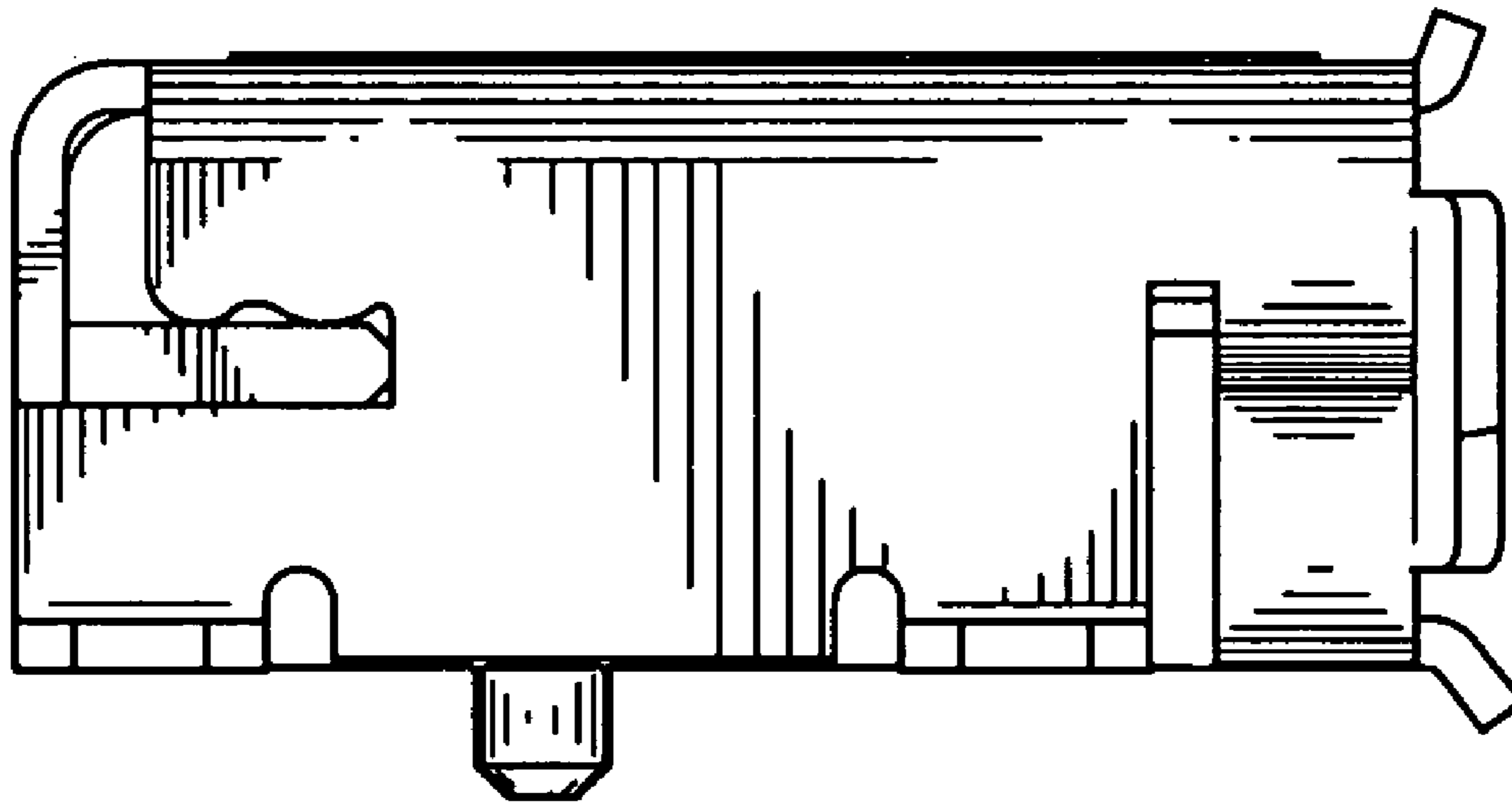


FIG. 4

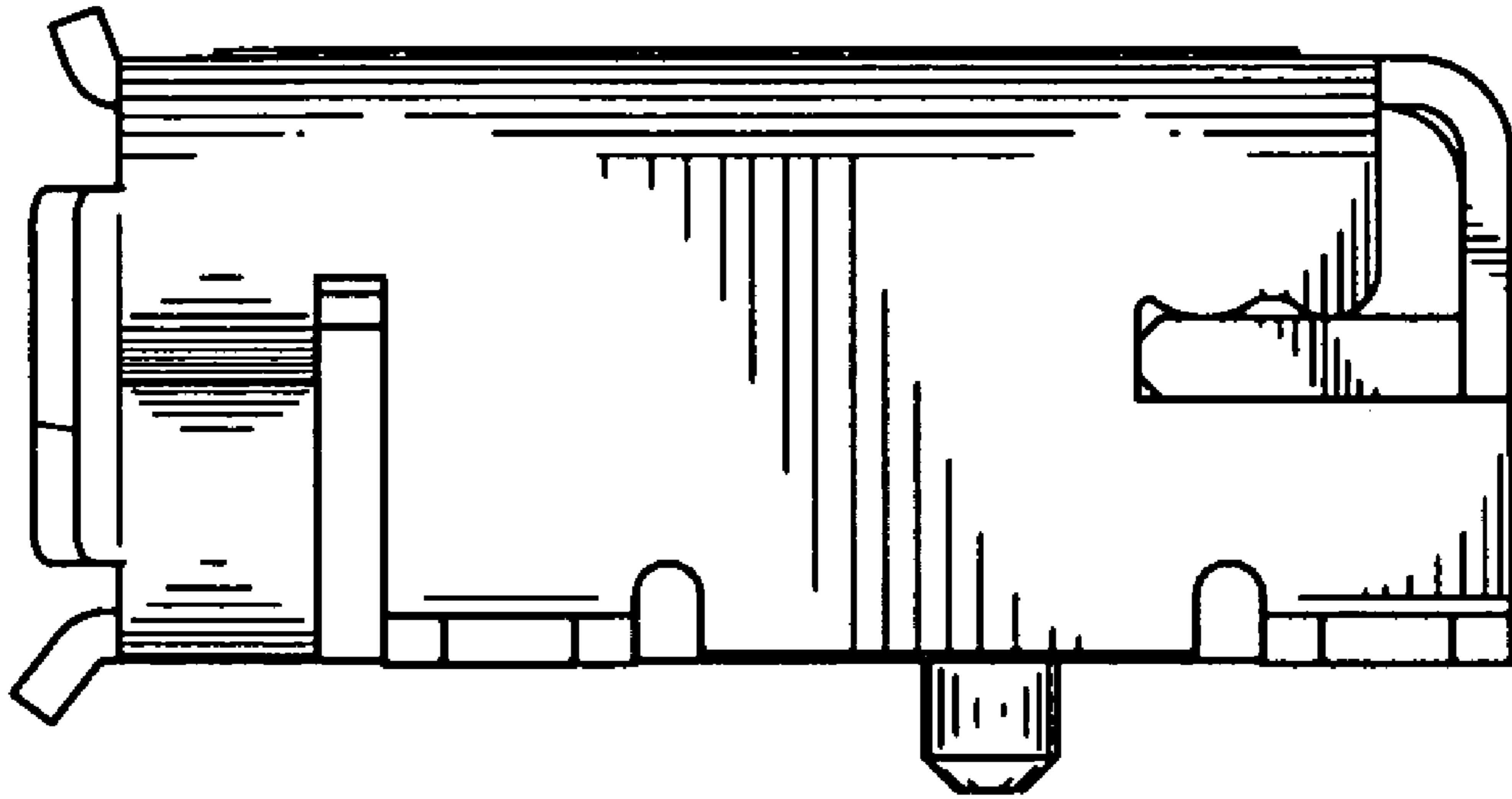


FIG. 5

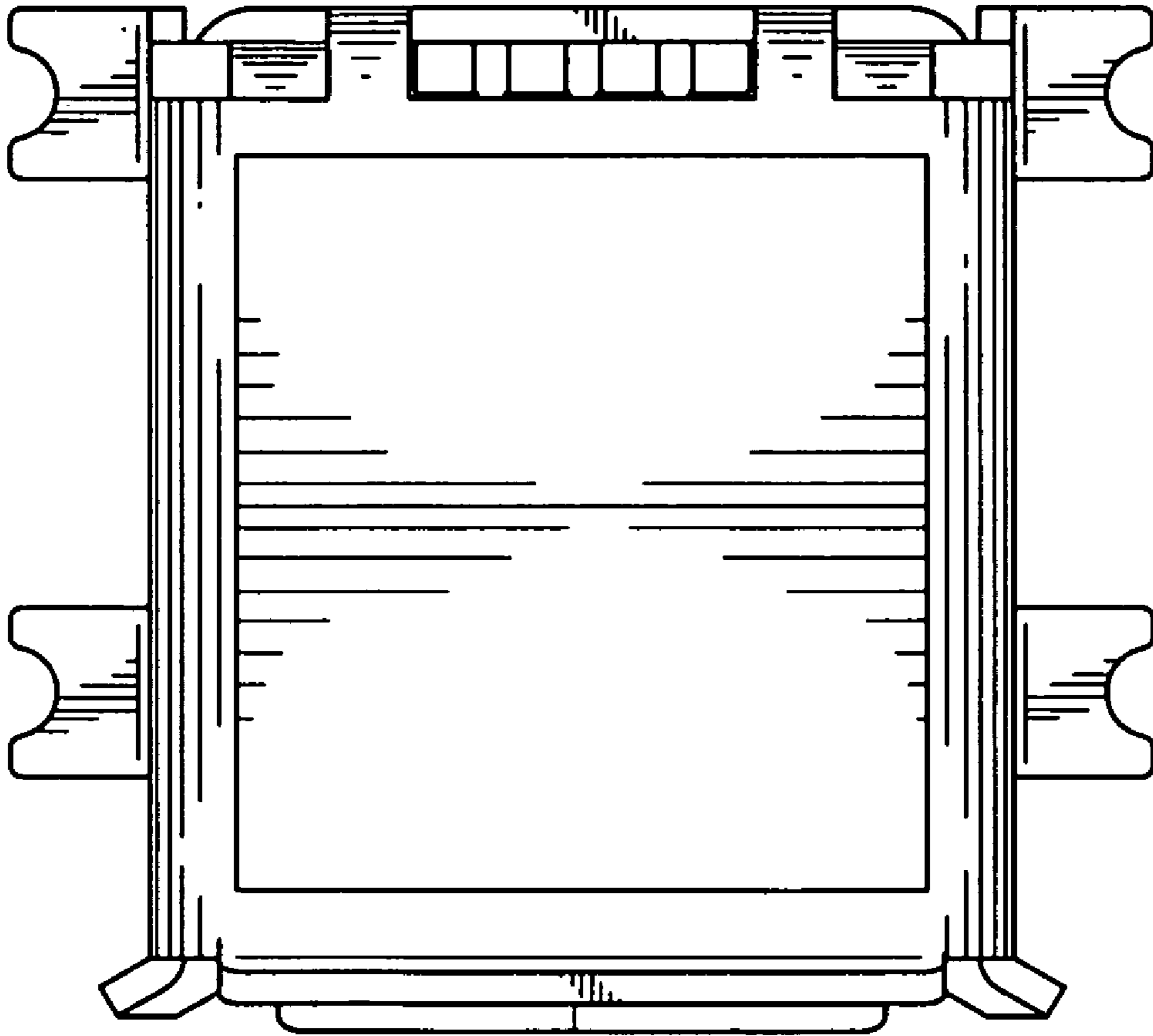


FIG. 6

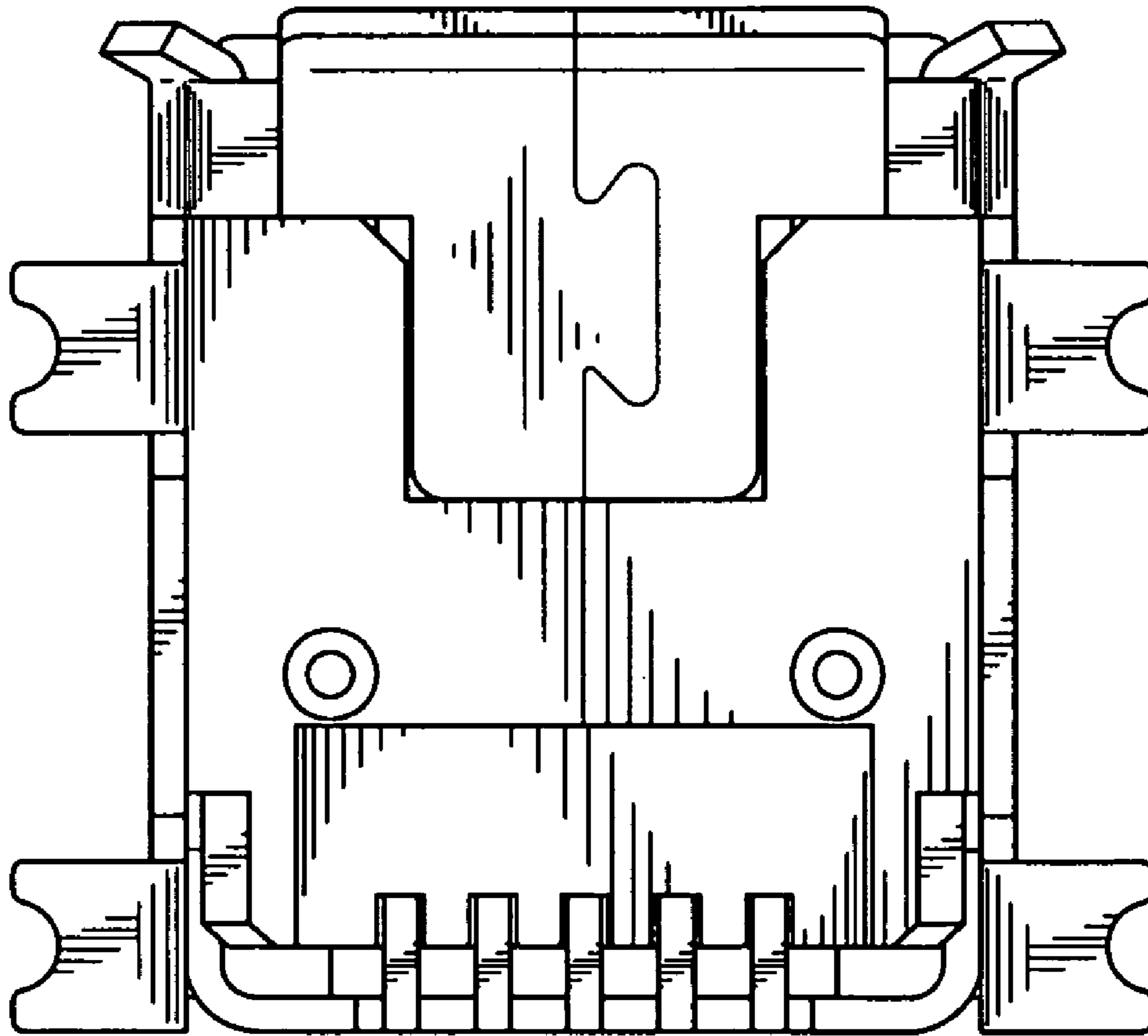


FIG. 7



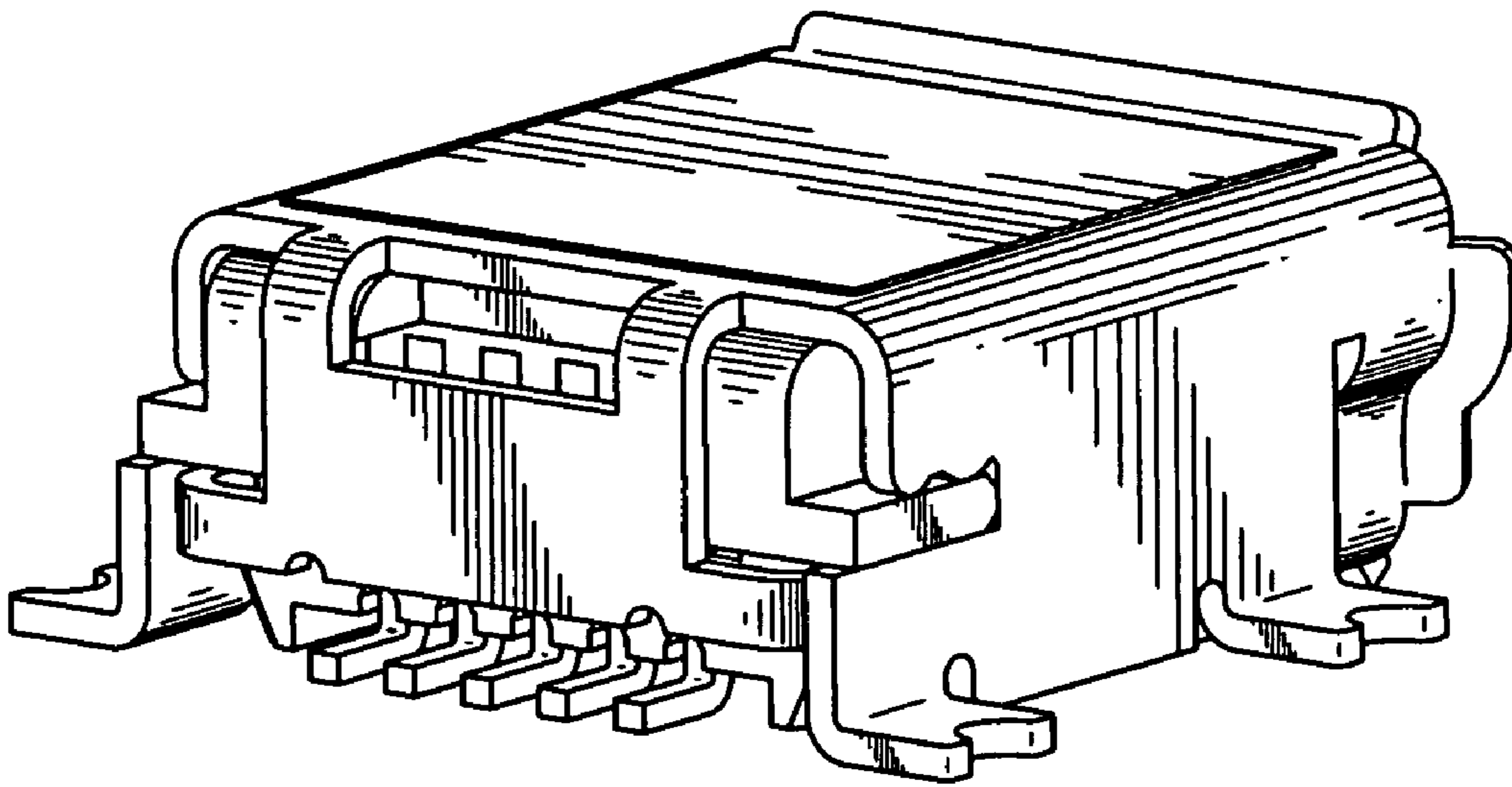


FIG. 8