

US00D597488S

(12) **United States Design Patent**
Kikuchi et al.

(10) **Patent No.:** **US D597,488 S**

(45) **Date of Patent:** **** Aug. 4, 2009**

(54) **ELECTRICAL CONNECTOR**

D491,531 S * 6/2004 Lee D13/147
D583,325 S * 12/2008 Zhu D13/147

(75) Inventors: **Masayuki Kikuchi**, Tokyo (JP);
Kazushi Kamata, Aomori (JP)

* cited by examiner

(73) Assignee: **Japan Aviation Electronics Industry, Limited**, Tokyo (JP)

Primary Examiner—Daniel D Bui
(74) *Attorney, Agent, or Firm*—Collard & Roe, P.C.

(**) Term: **14 Years**

(57) **CLAIM**

(21) Appl. No.: **29/308,681**

The ornamental design for an electrical connector, as shown and described.

(22) Filed: **Jul. 1, 2008**

DESCRIPTION

(30) **Foreign Application Priority Data**

Jan. 16, 2008 (JP) 2008-000615

FIG. 1 is a front, right, and top-side perspective view of an electrical connector showing our new design;

(51) **LOC (9) Cl.** **13-03**

FIG. 2 is a front, left, and bottom-side perspective view thereof;

(52) **U.S. Cl.** **D13/147**

FIG. 3 is a front elevational view thereof;

(58) **Field of Classification Search** D13/133,
D13/147, 154, 184; 439/62, 160, 266, 329,
439/395, 422, 476.1, 484, 492, 495, 499,
439/940

FIG. 4 is a top plan view thereof;

FIG. 5 is a rear elevational view thereof;

See application file for complete search history.

FIG. 6 is a bottom plan view thereof; and,

FIG. 7 is a right side elevational view thereof the left side view thereof is a mirror image of FIG. 7.

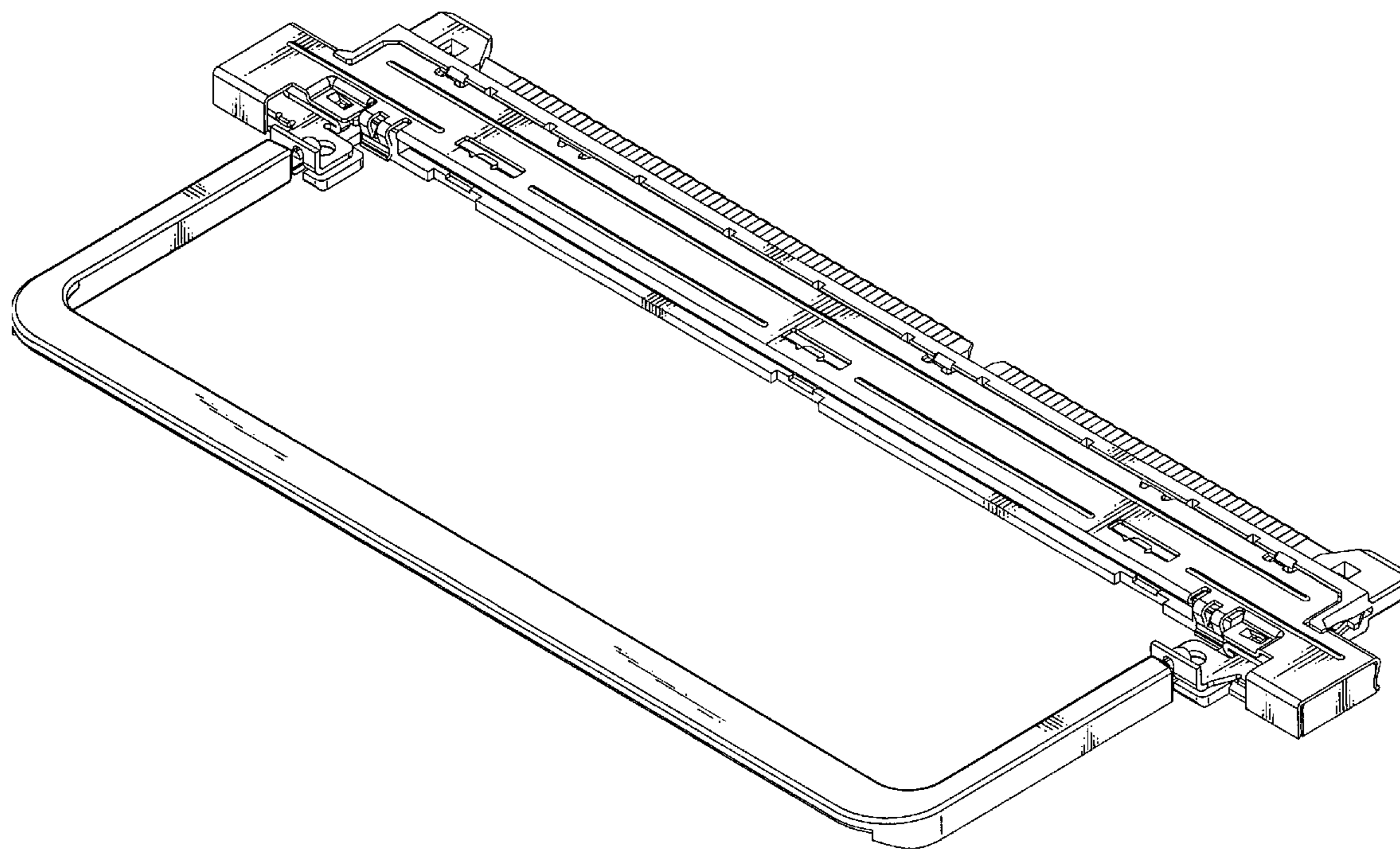
(56) **References Cited**

U.S. PATENT DOCUMENTS

3,178,214 A * 4/1965 Tinkelenberg 294/15
D482,333 S * 11/2003 Hisamatsu et al. D13/147
D486,451 S * 2/2004 Moritake D13/147

A left side elevational view of the electrical connector is omitted because it is presented symmetrical to the right side view of FIG. 7.

1 Claim, 5 Drawing Sheets



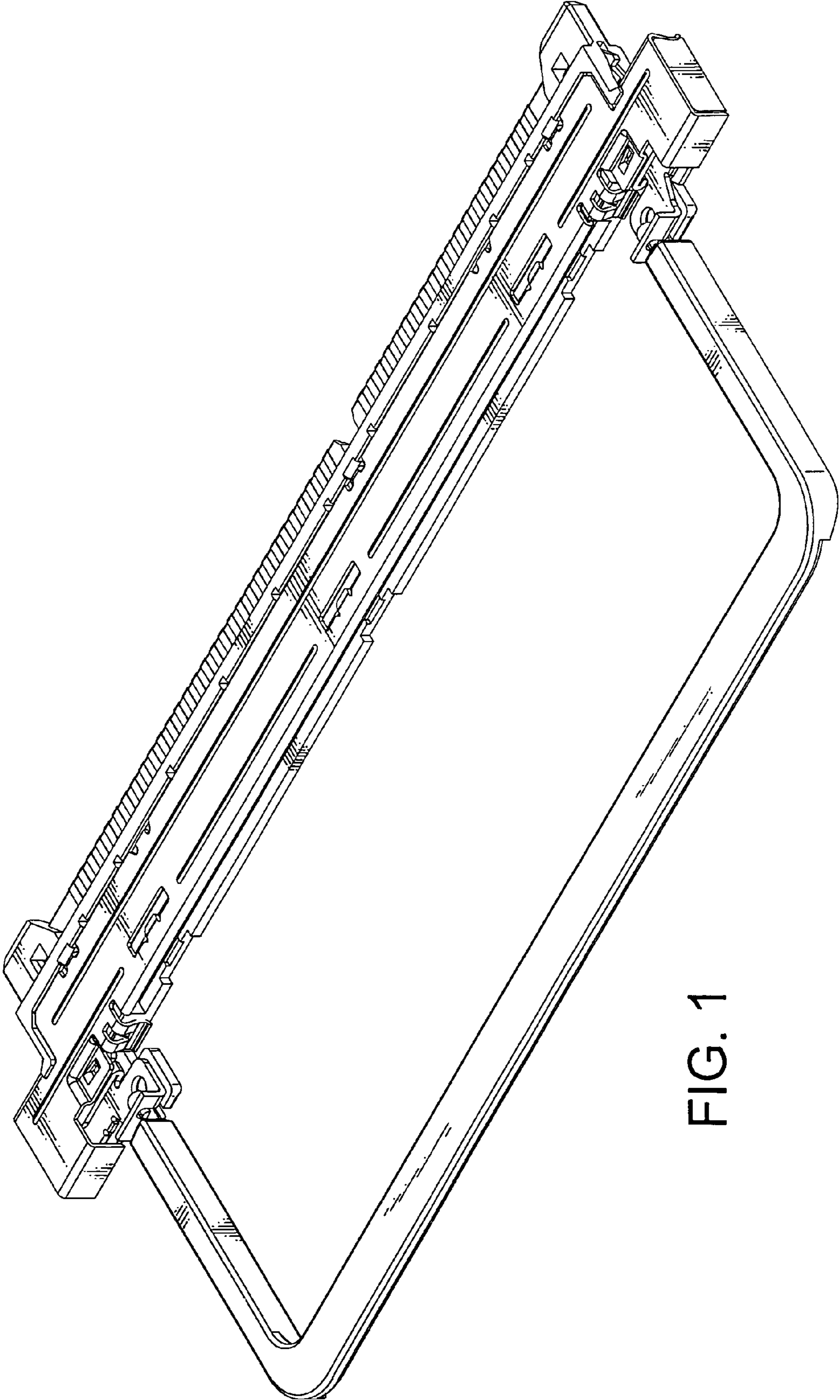


FIG. 1

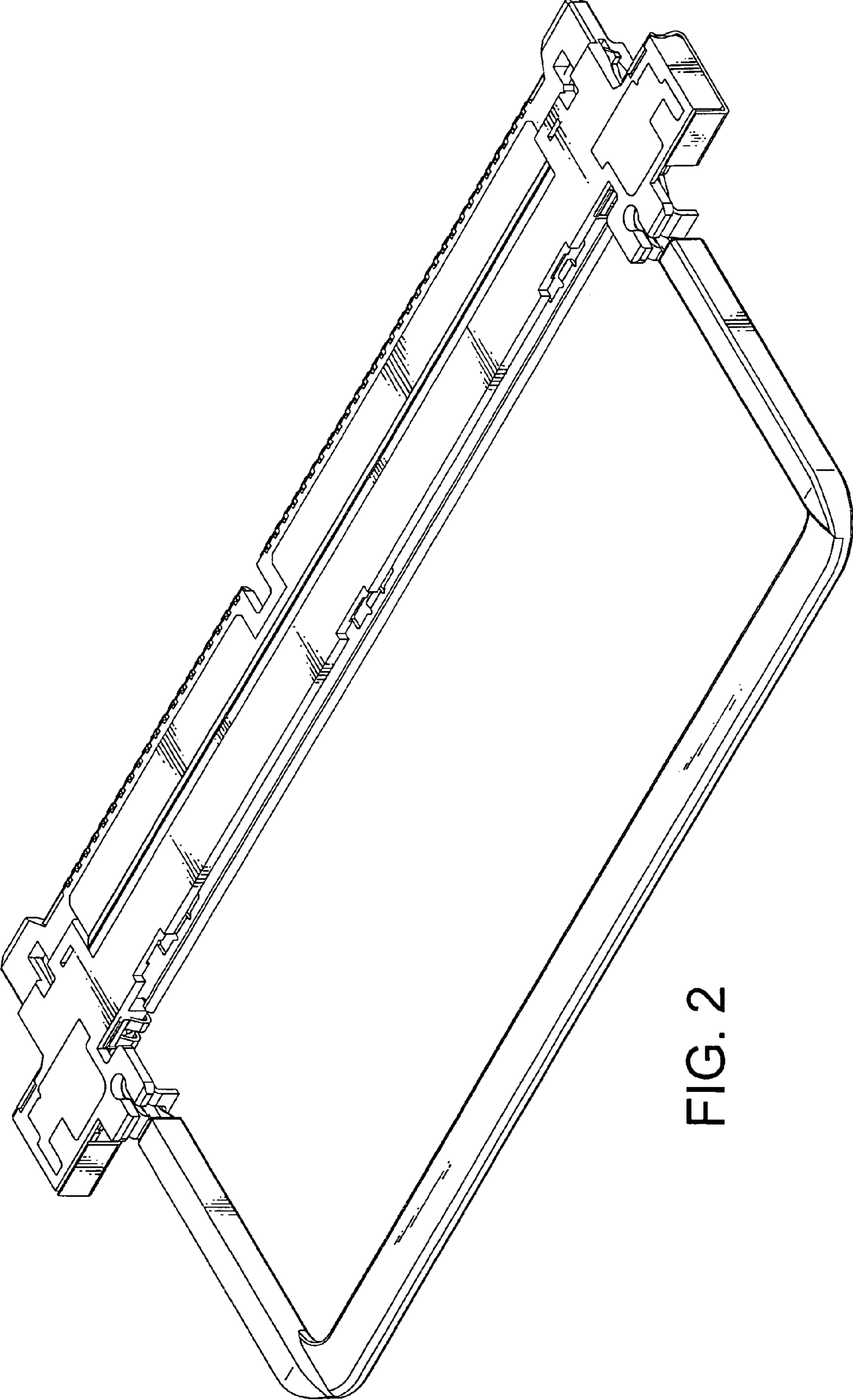


FIG. 2



FIG. 3

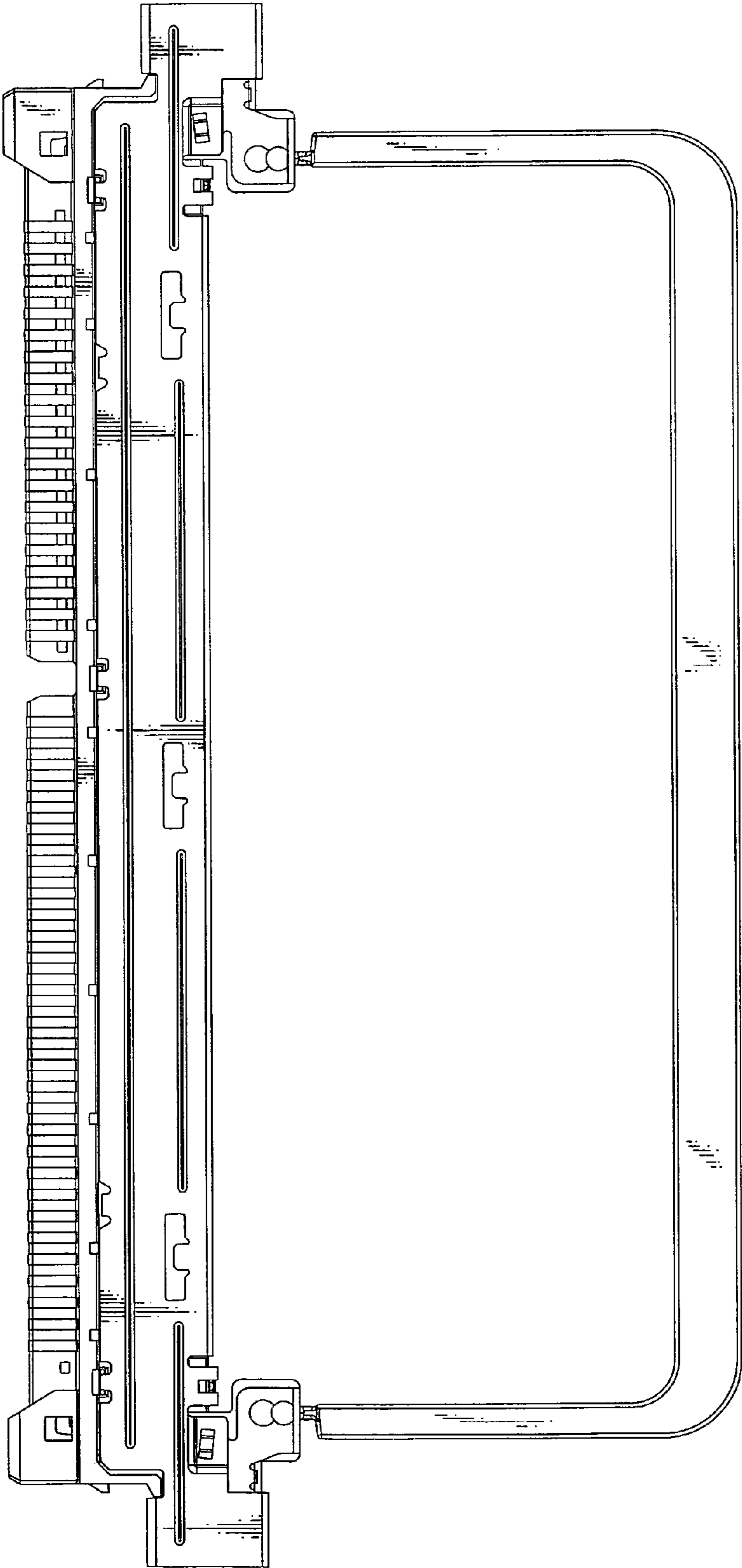


FIG. 4

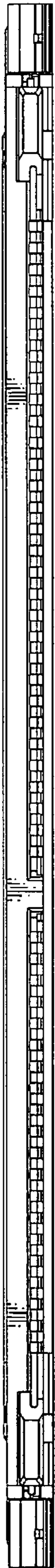


FIG. 5

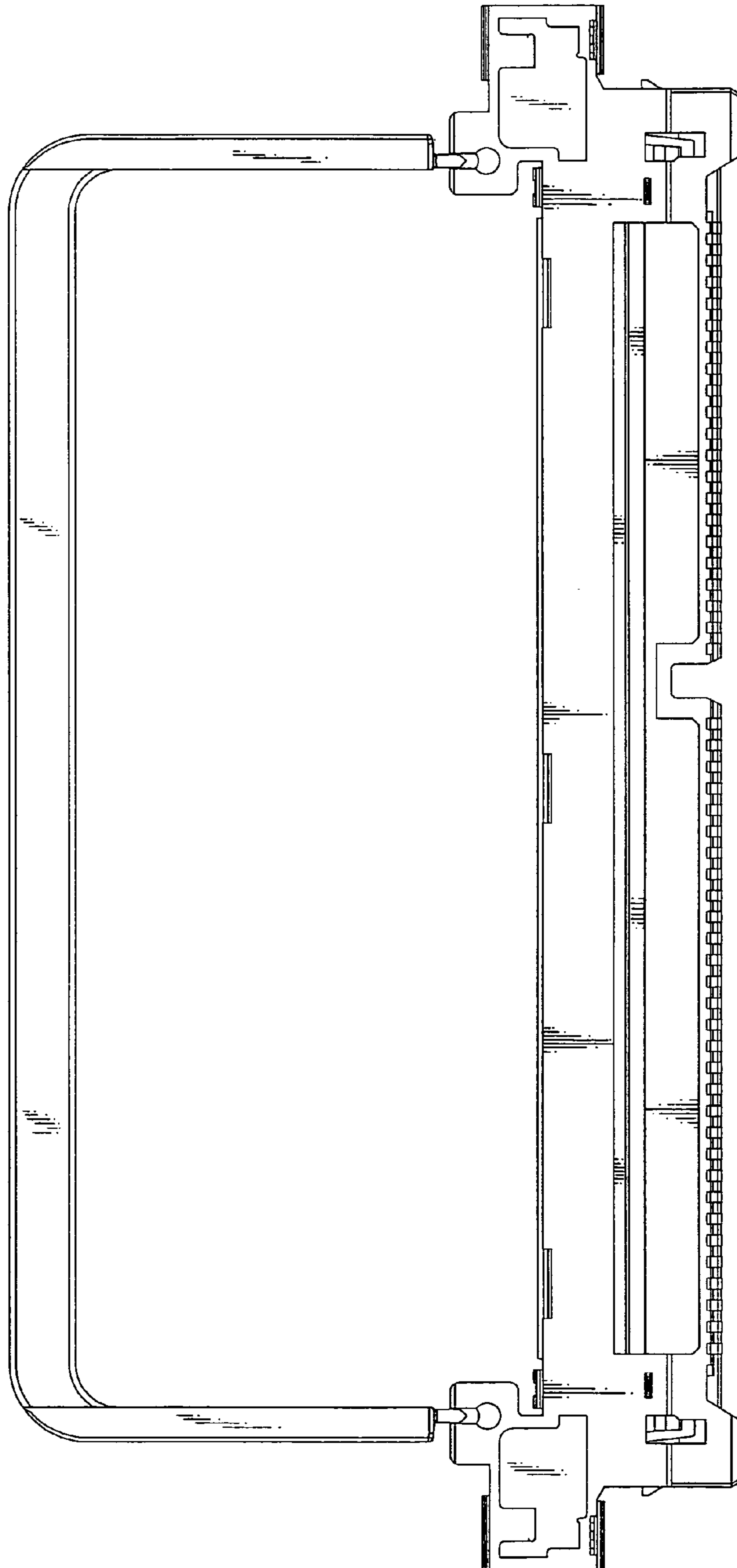


FIG. 6



FIG. 7