



US00D597486S

(12) **United States Design Patent**
Wu

(10) **Patent No.:** **US D597,486 S**

(45) **Date of Patent:** **** Aug. 4, 2009**

(54) **CONNECTOR**

(75) Inventor: **Jui Hsiung Wu, Tu-Cheng (TW)**

(73) Assignee: **Conntek Integrated Solutions Inc.,
Cudahy, WI (US)**

(**) Term: **14 Years**

(21) Appl. No.: **29/309,812**

(22) Filed: **Oct. 17, 2008**

(51) **LOC (9) Cl.** **13-03**

(52) **U.S. Cl.** **D13/137.2**

(58) **Field of Classification Search** .. D13/137.1-139.8,
D13/184; D14/433; 174/53-58, 66; 439/105-107,
439/535, 650-655, 692

See application file for complete search history.

(56) **References Cited**

U.S. PATENT DOCUMENTS

1,511,855	A *	10/1924	Wentz	439/652
1,714,763	A *	5/1929	Boyson	439/484
2,030,115	A *	2/1936	Muldoon	439/484
D242,464	S *	11/1976	Acosta	D13/138.1
4,085,996	A *	4/1978	Koslo	439/105
D251,293	S *	3/1979	Trueblood	D13/137.2
D276,225	S *	11/1984	Powel	D13/137.2
D355,162	S *	2/1995	Karman	D13/137.1

5,409,397	A *	4/1995	Karman	439/484
6,929,514	B1 *	8/2005	Chuang	439/652
D559,184	S *	1/2008	Russell et al.	D13/137.1
D586,296	S *	2/2009	Liu	D13/138.2

* cited by examiner

Primary Examiner—Jennifer Rivard

Assistant Examiner—Rosemary K Tarcza

(74) *Attorney, Agent, or Firm*—Rosenberg, Klein & Lee

(57) **CLAIM**

The ornamental design for a connector, as shown and described.

DESCRIPTION

FIG. 1 is a perspective view of a connector showing my new design;

FIG. 2 is a front elevational view thereof;

FIG. 3 is a rear elevational view thereof;

FIG. 4 is a left side elevational view thereof;

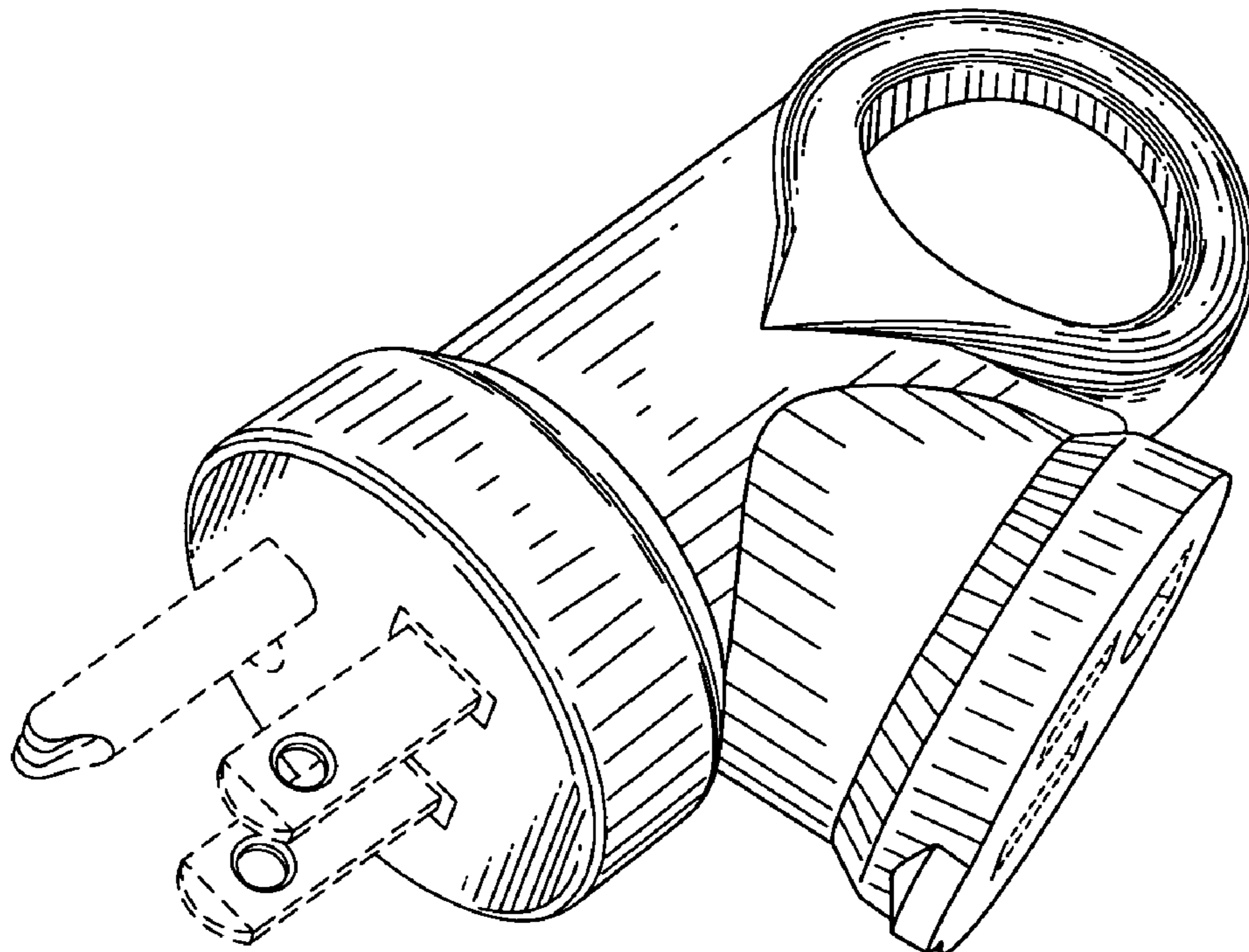
FIG. 5 is a right side elevational view thereof;

FIG. 6 is a top plan view thereof; and,

FIG. 7 is a bottom plan view thereof.

The broken lines in the Figures are for illustrative purposes and form no part of the claimed designs.

1 Claim, 7 Drawing Sheets



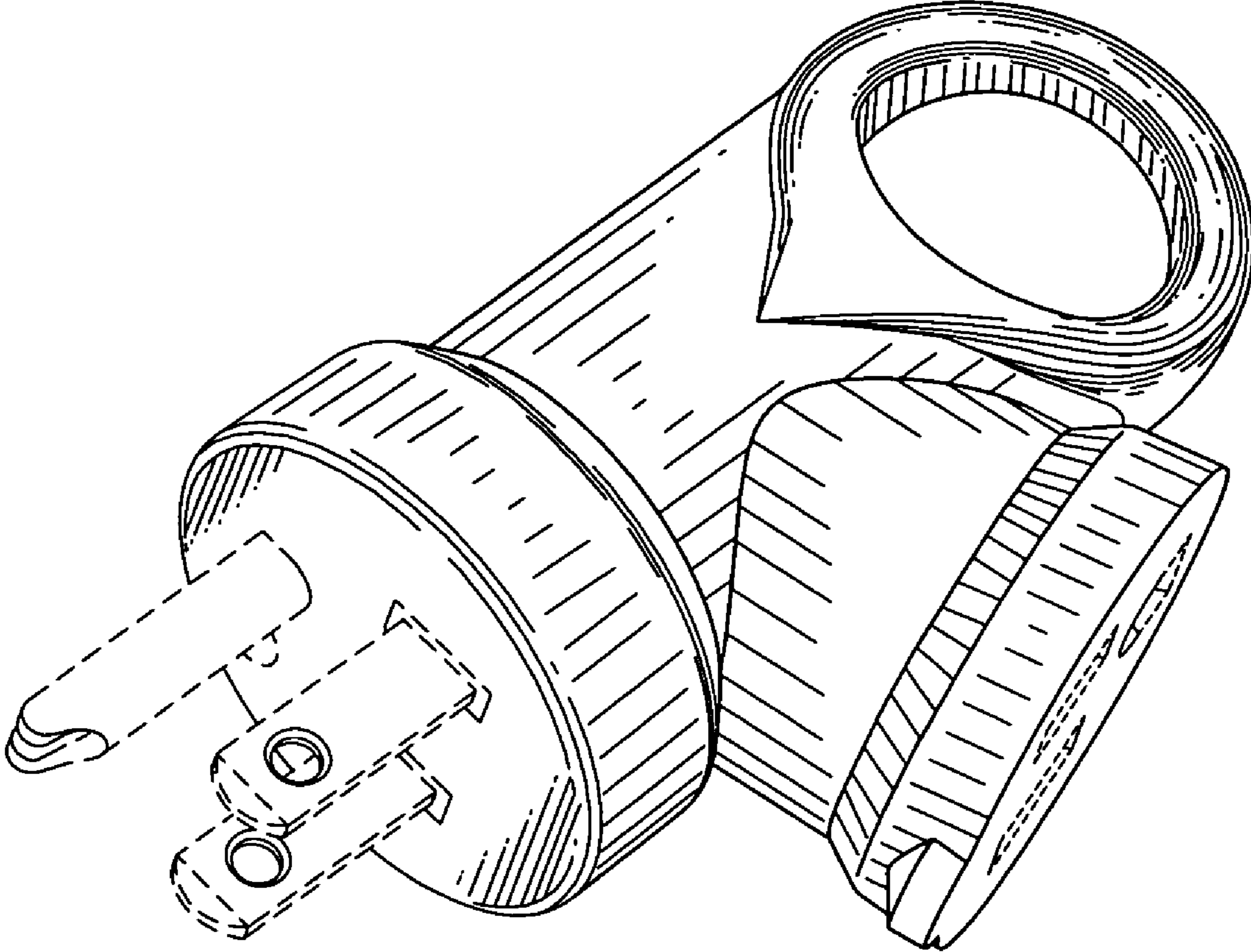


FIG. 1

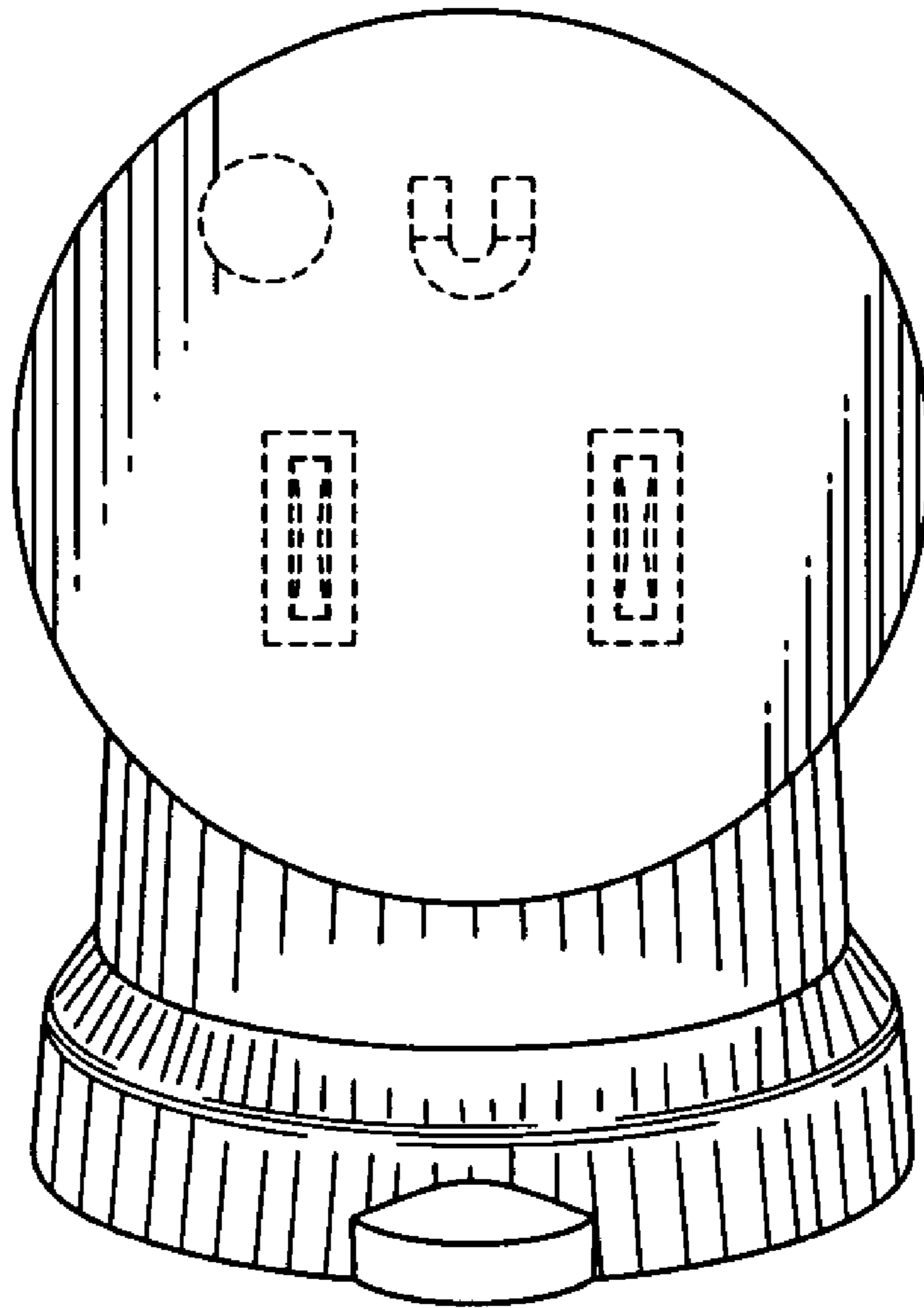


FIG. 2

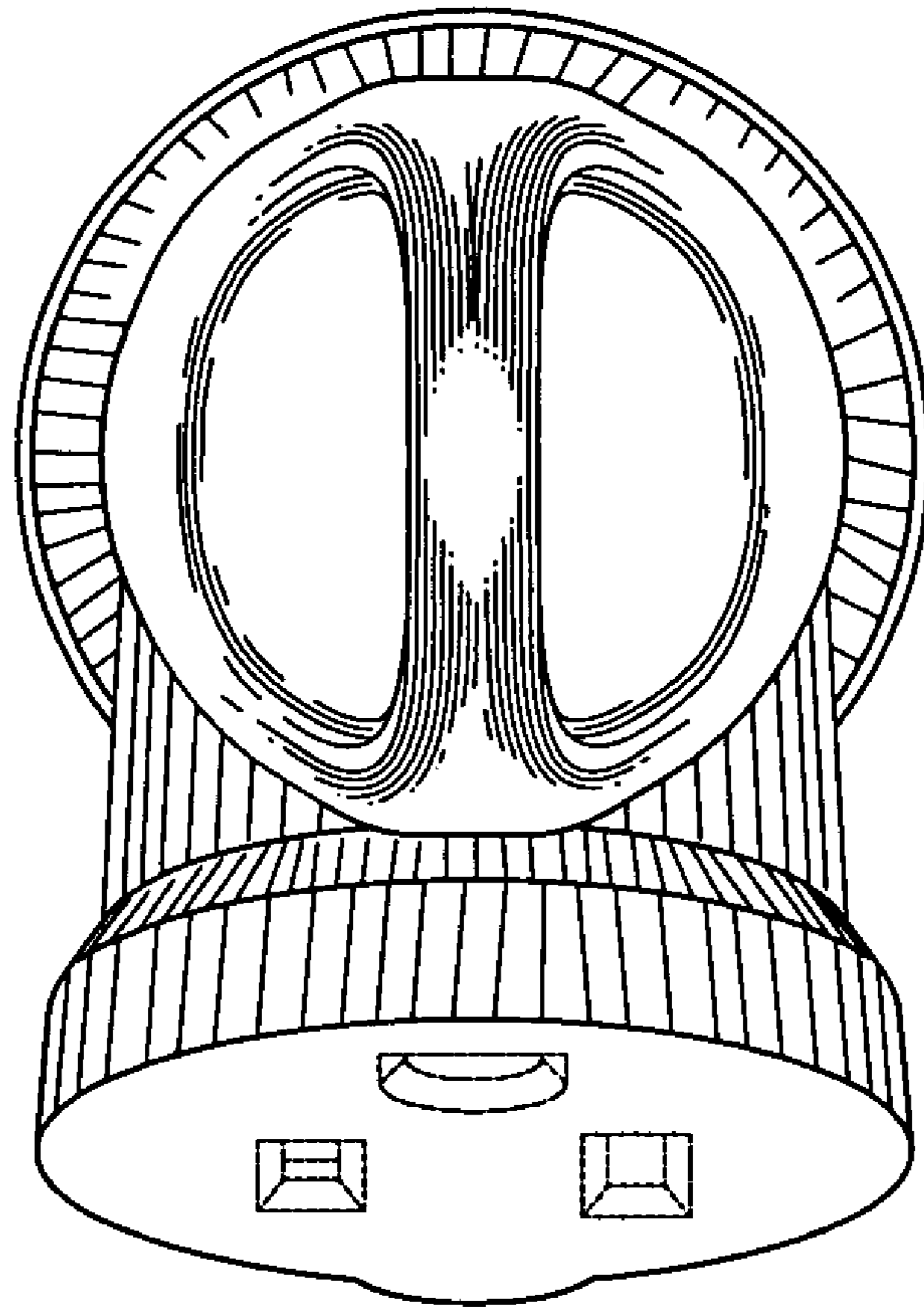


FIG. 3

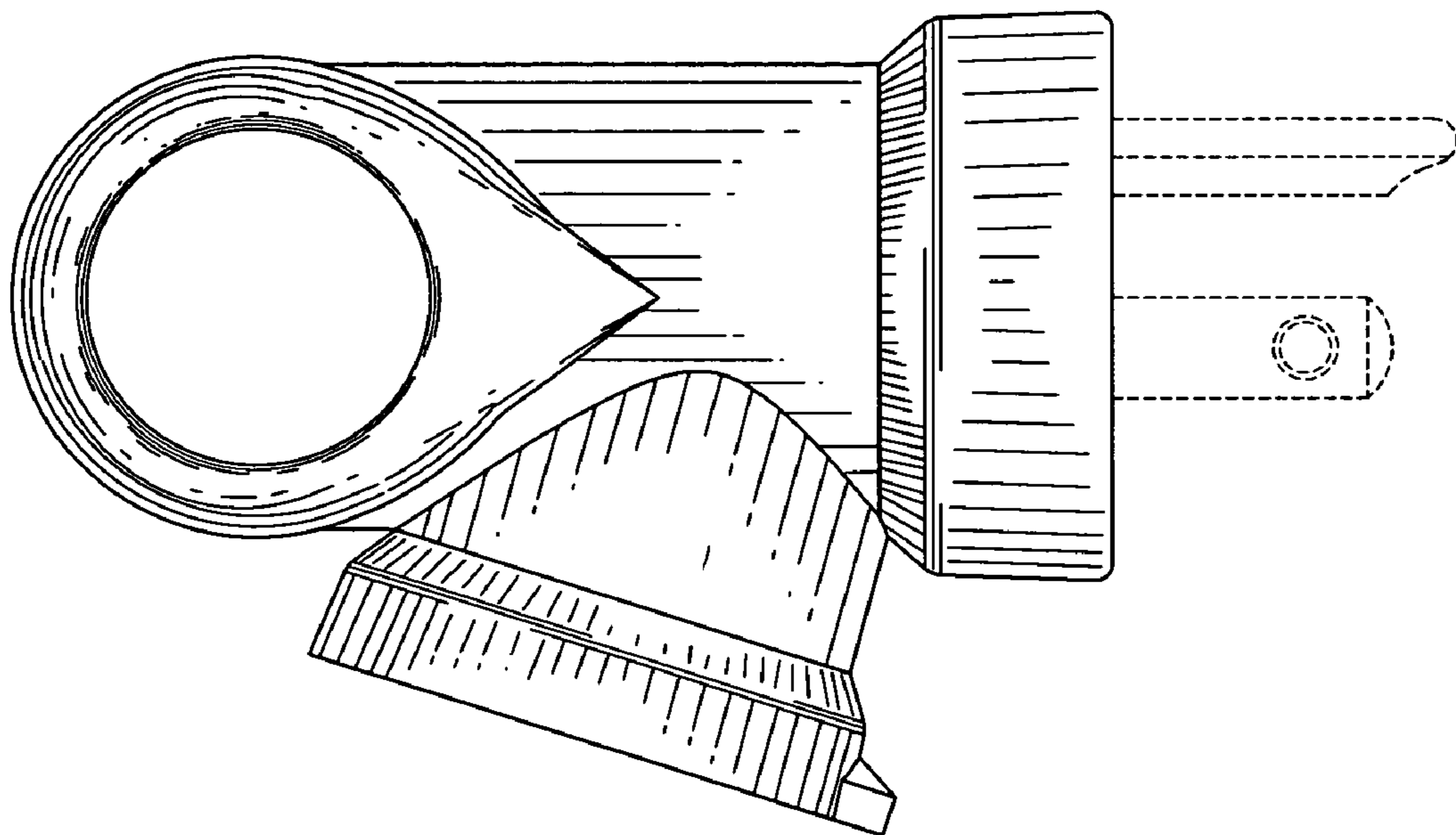


FIG. 4

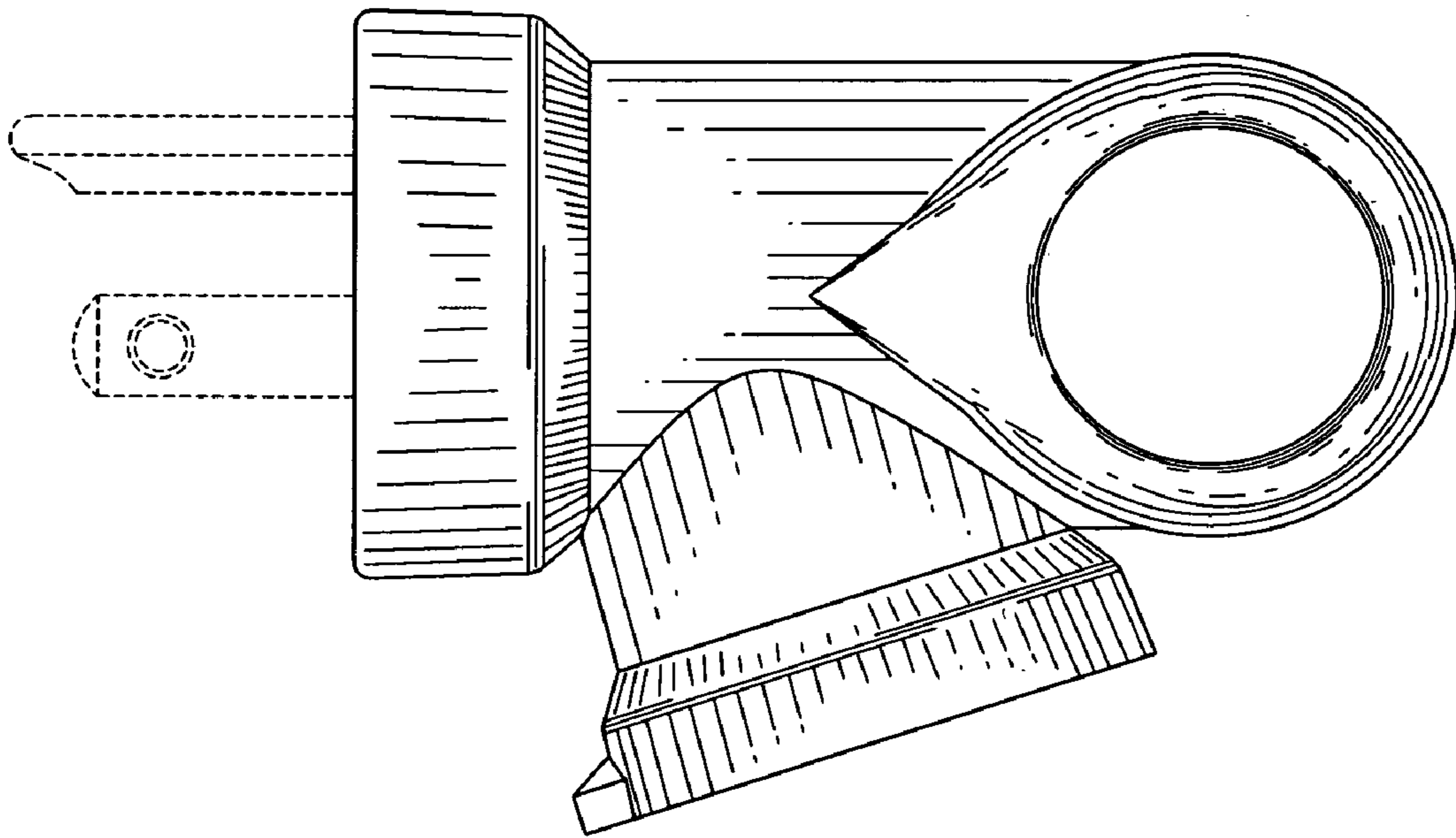


FIG. 5

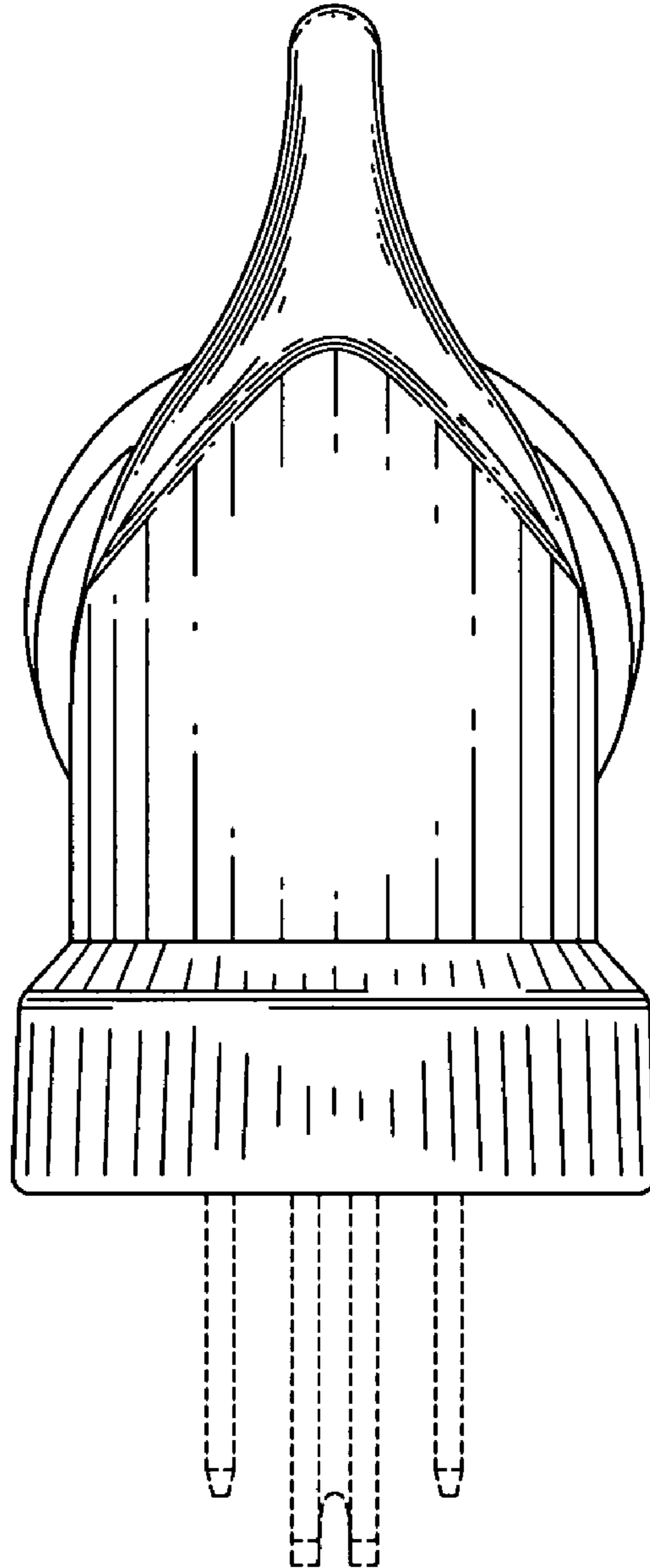


FIG. 6

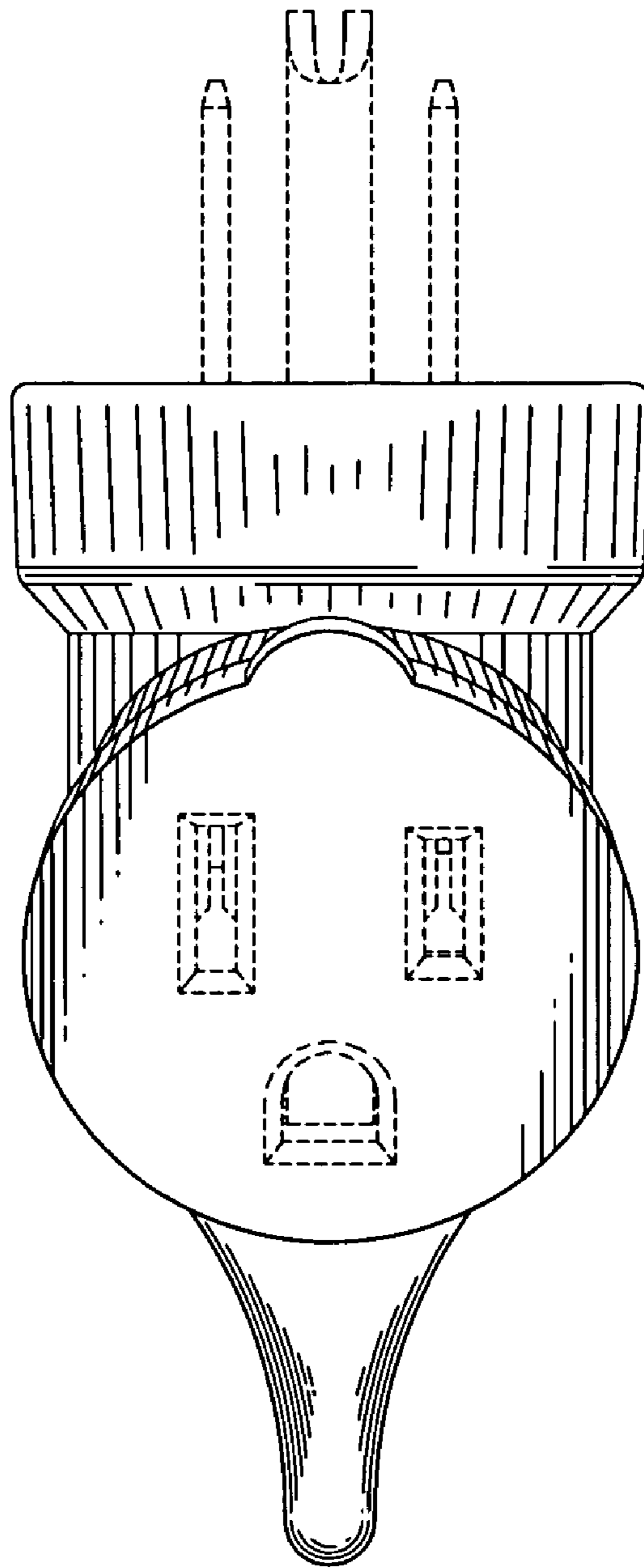


FIG. 7