



US00D597485S

(12) **United States Design Patent**
Ma

(10) **Patent No.:** **US D597,485 S**

(45) **Date of Patent:** **** Aug. 4, 2009**

(54) **PORTABLE GENERATOR**

(76) **Inventor:** **Yunfeng Ma**, Jishui Road, Jinqiao
Development Zone, Mudu Town,
Wuzhong District, Suzhou, Jiangsu (CN)

(**) **Term:** **14 Years**

(21) **Appl. No.:** **29/274,639**

(22) **Filed:** **May 11, 2007**

(51) **LOC (9) Cl.** **13-01**

(52) **U.S. Cl.** **D13/116**

(58) **Field of Classification Search** D13/116,
D13/112, 114, 122; 290/1 A, 1 B; 307/64,
307/150, 151, 153

See application file for complete search history.

(56) **References Cited**

U.S. PATENT DOCUMENTS

D282,252 S *	1/1986	Yamaguchi et al.	D13/116
D305,880 S *	2/1990	Ito et al.	D13/116
D335,862 S	5/1993	Kusunoki et al.	
D414,461 S	9/1999	Wang	
D417,651 S	12/1999	Ohsumi et al.	
6,100,599 A *	8/2000	Kouchi et al.	290/1 A
D437,825 S *	2/2001	Imai	D13/116
D472,519 S	4/2003	Buck et al.	
D477,569 S	7/2003	Iwatate et al.	
D486,447 S	2/2004	Fan	

D488,442 S	4/2004	Fan	
D494,928 S	8/2004	Fan	
D501,182 S	1/2005	Buck	
D503,381 S	3/2005	Mizokami et al.	
D504,663 S	5/2005	Buck	
D518,771 S *	4/2006	Xiao	D13/116

* cited by examiner

Primary Examiner—Prabhakar Deshmukh

Assistant Examiner—Derrick Holland

(74) *Attorney, Agent, or Firm*—Birch, Stewart, Kolasch & Birch, LLP

(57) **CLAIM**

The ornamental design for portable generator, as shown and described.

DESCRIPTION

FIG. 1 is a front perspective view of a portable generator showing my new design;

FIG. 2 is a left side elevational view thereof;

FIG. 3 is a right side elevational view thereof;

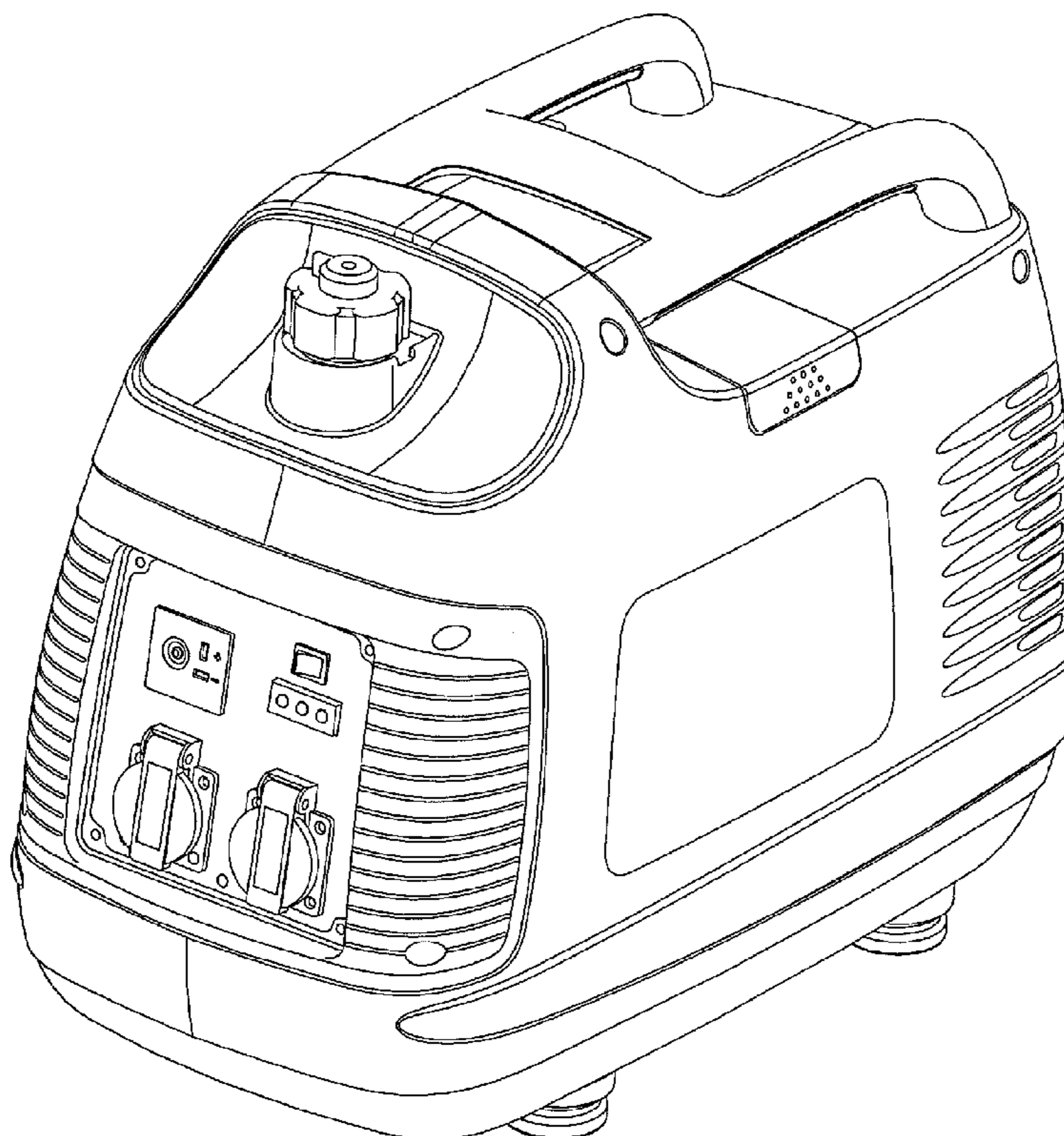
FIG. 4 is a top plan view thereof;

FIG. 5 is a rear elevational view thereof;

FIG. 6 is a front elevational view thereof; and,

FIG. 7 is a rear perspective view thereof.

1 Claim, 7 Drawing Sheets



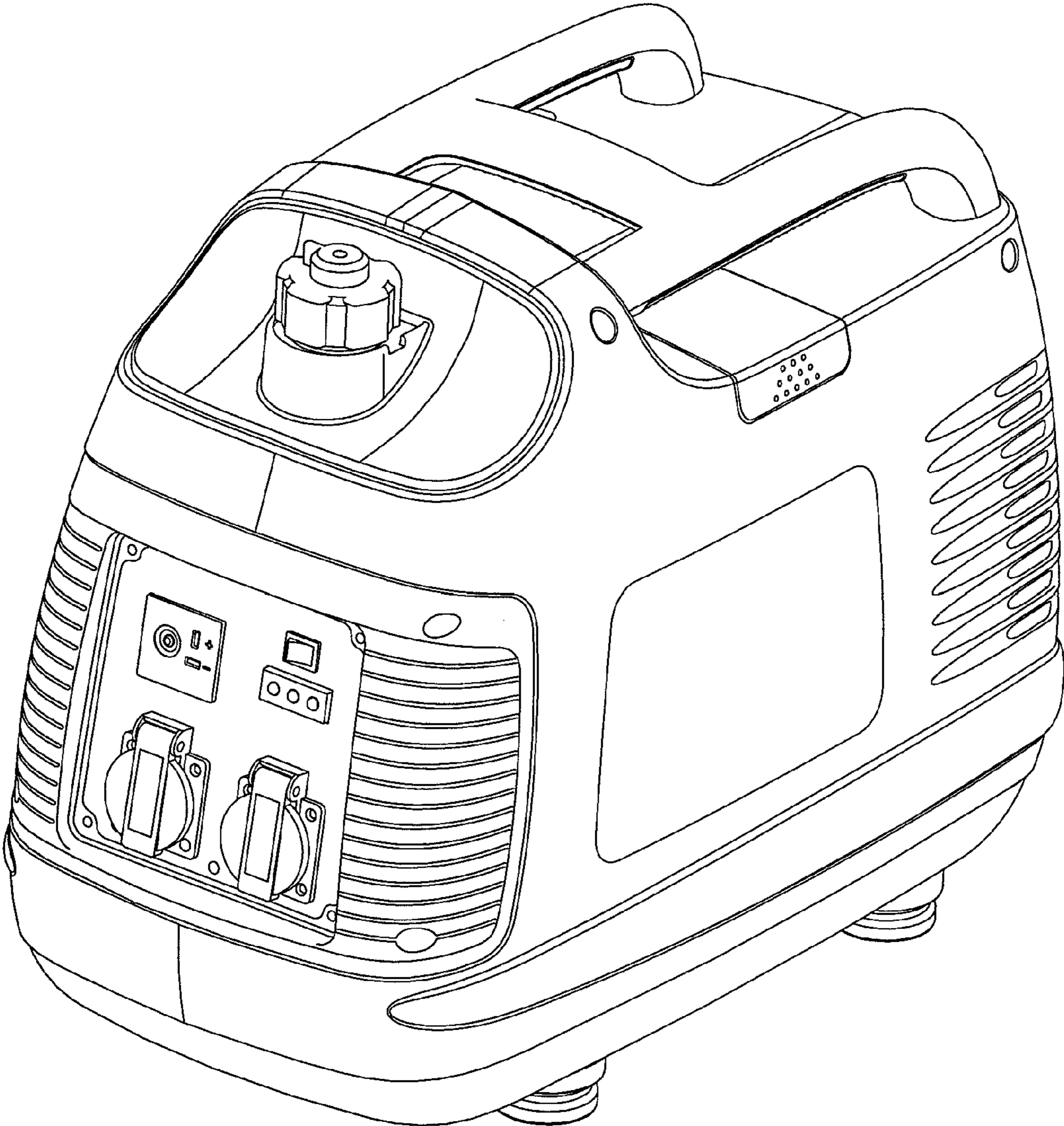


FIG.1

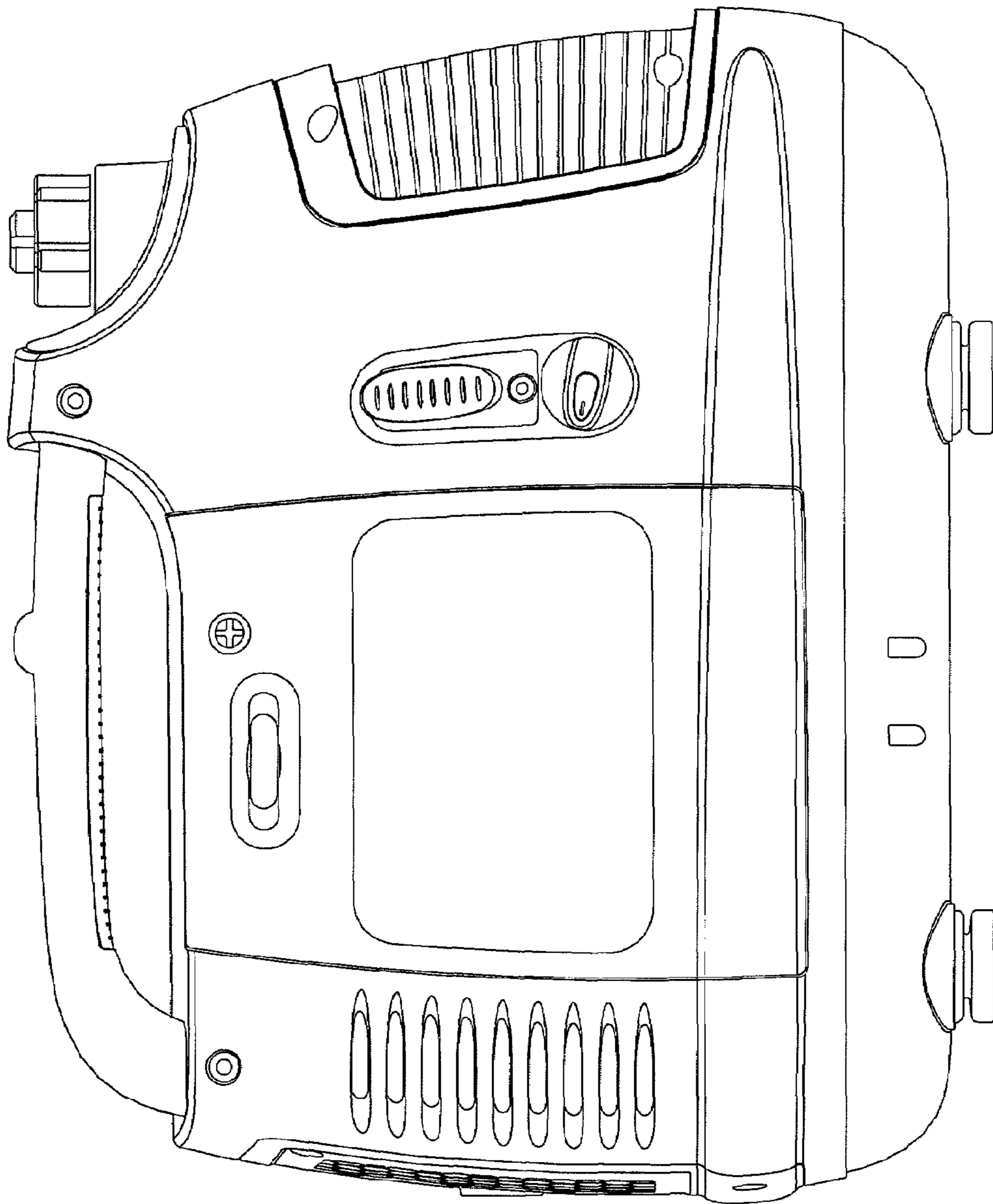


FIG.2

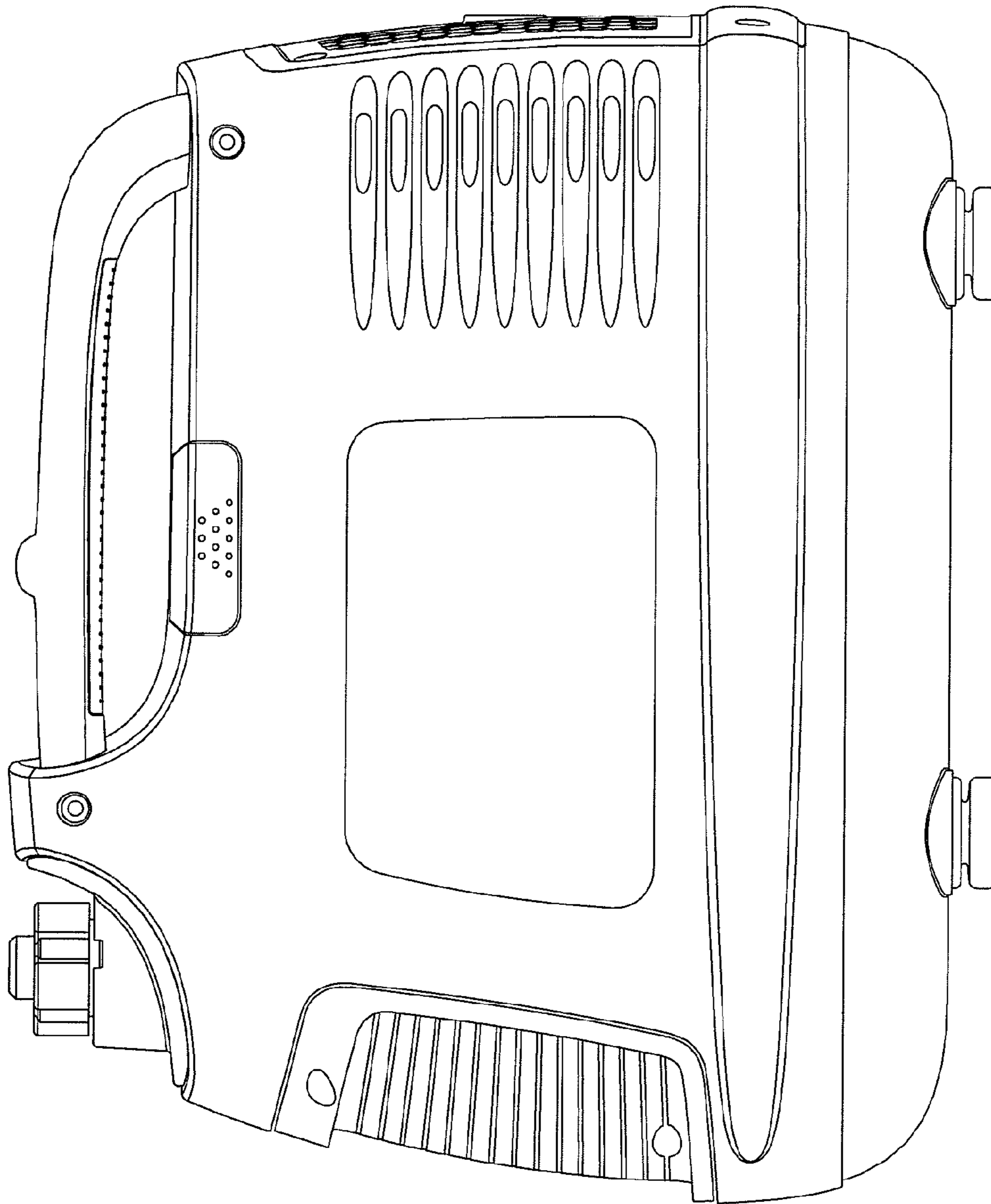


FIG.3

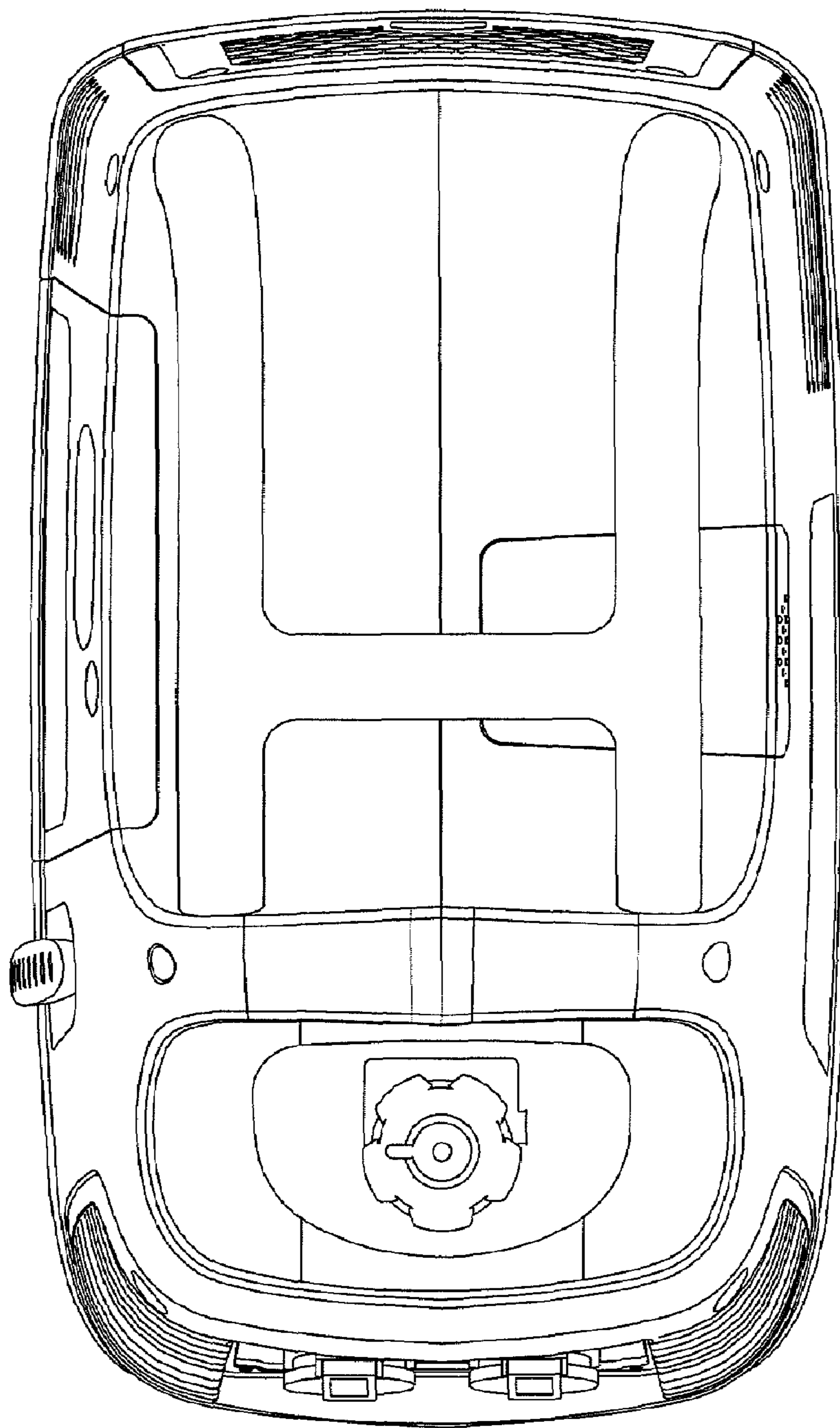


FIG.4

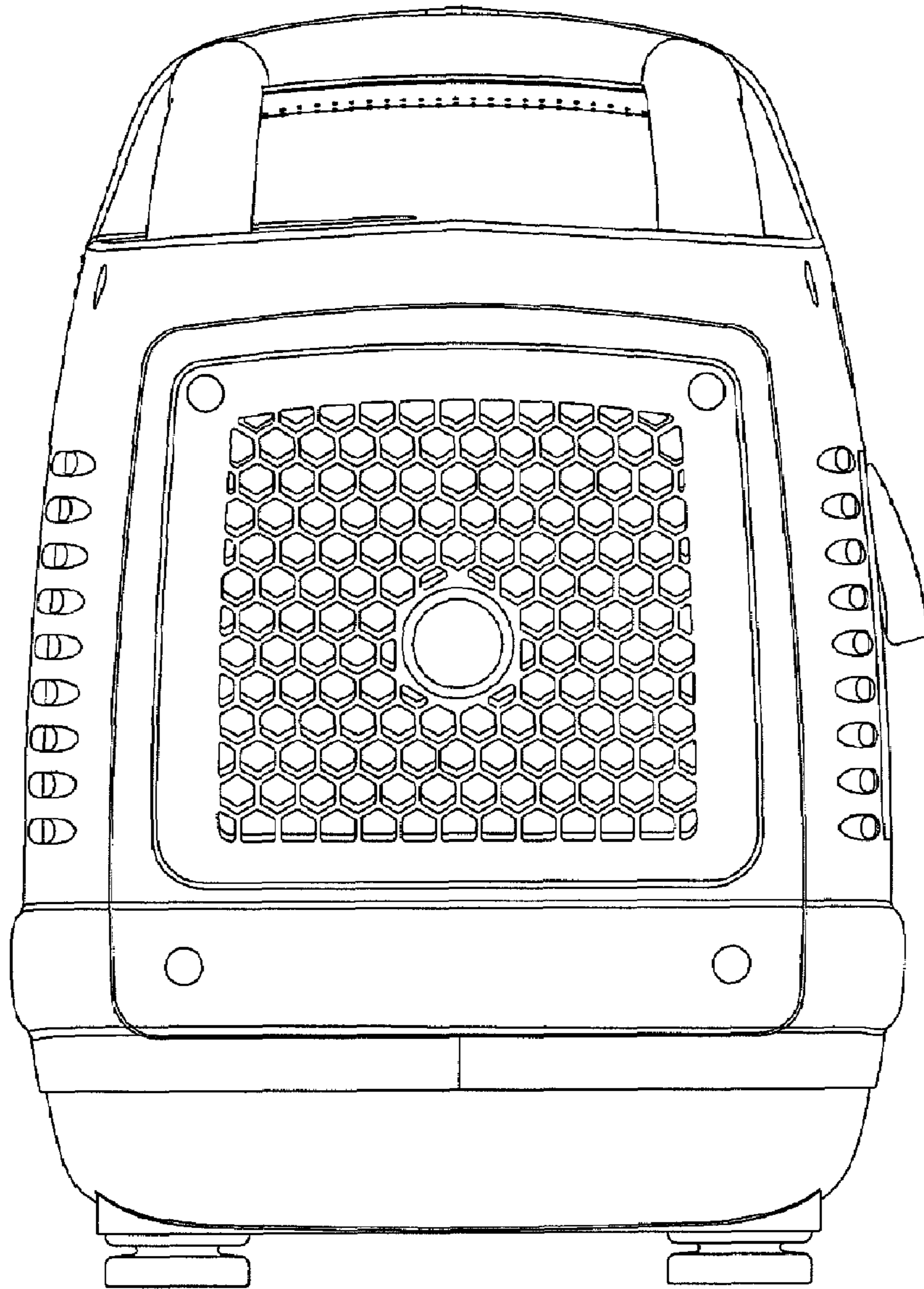


FIG.5

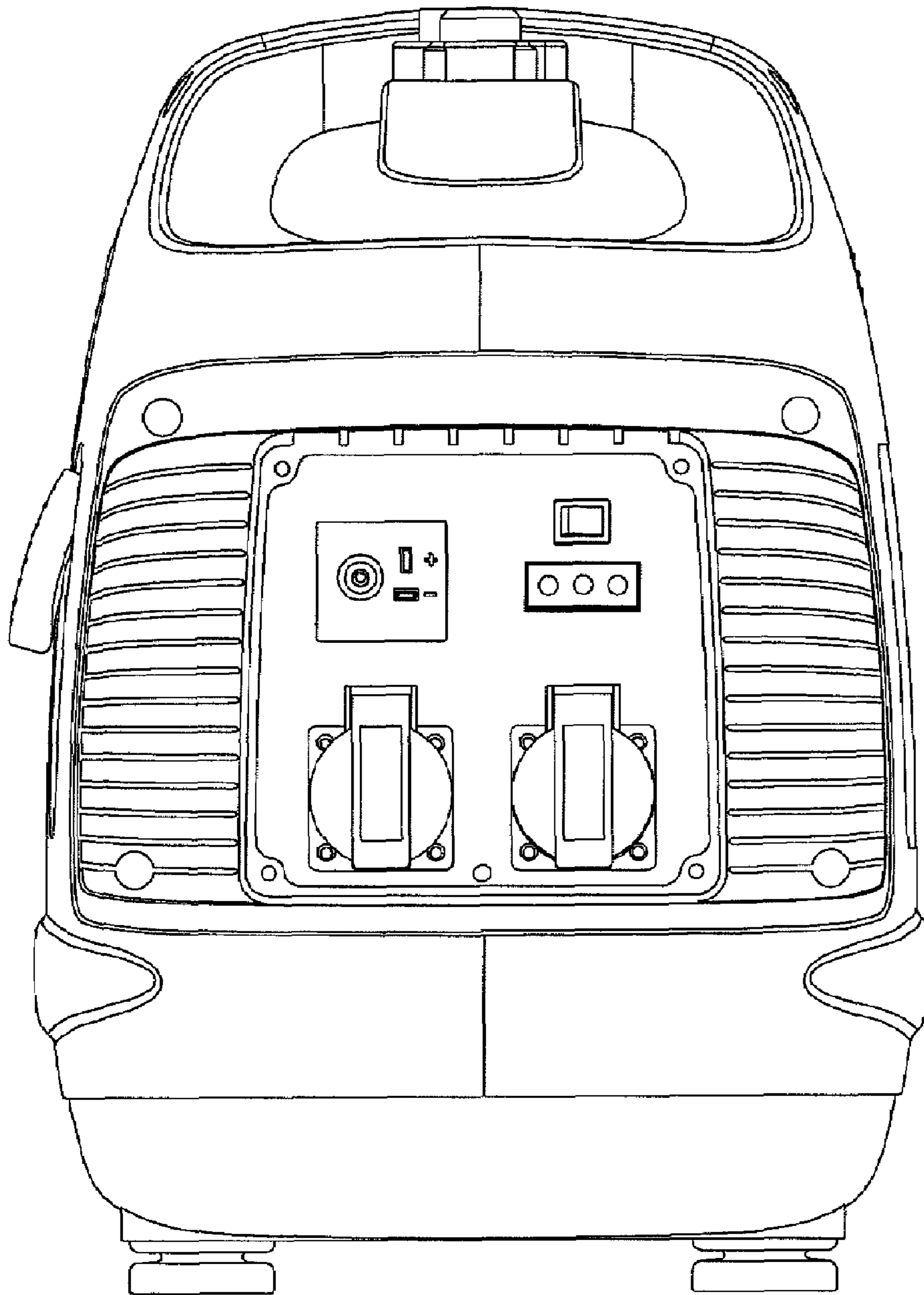


FIG.6

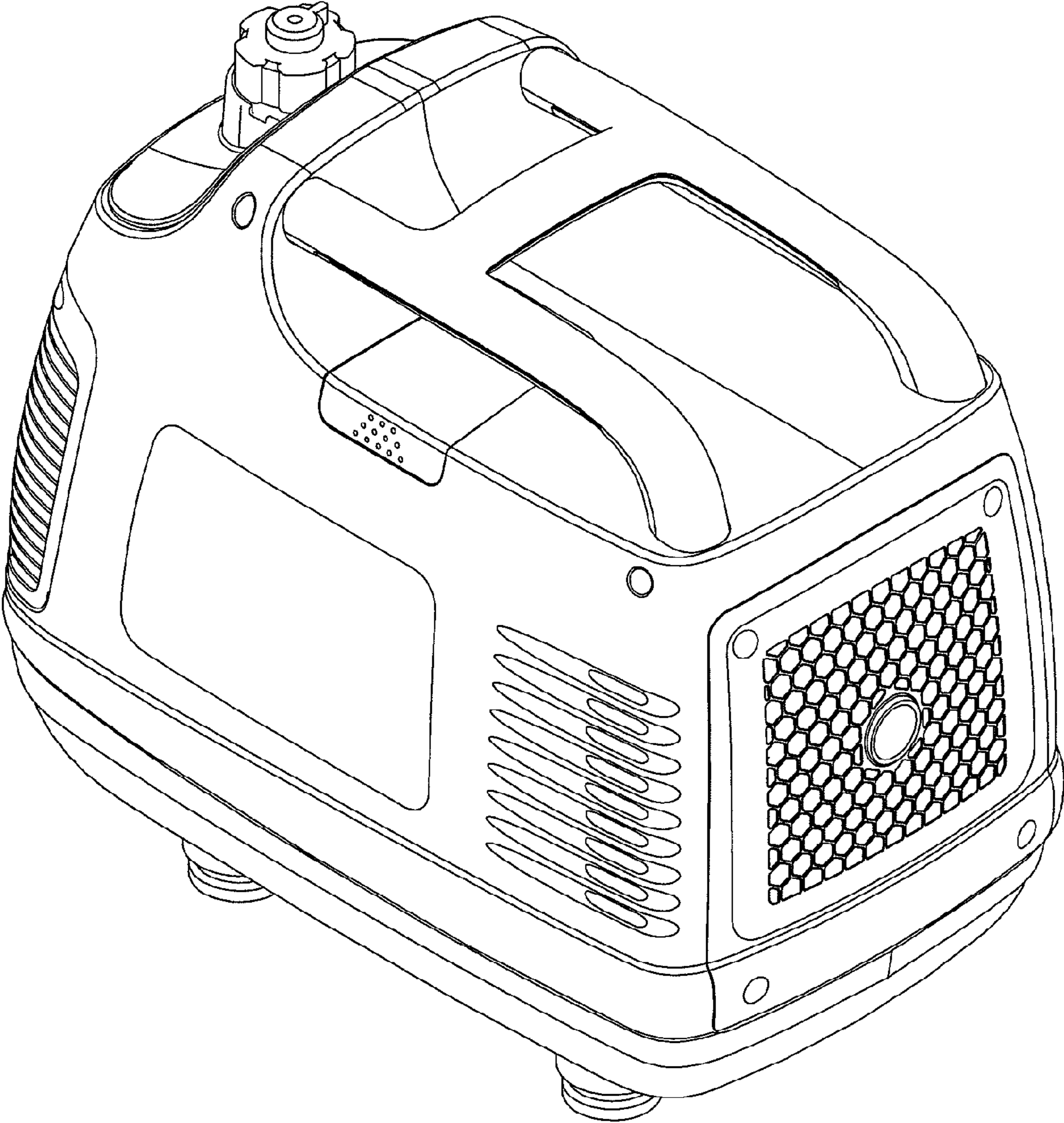


FIG. 7