

US00D597479S

(12) **United States Design Patent**
Scharis

(10) **Patent No.:** **US D597,479 S**

(45) **Date of Patent:** **** Aug. 4, 2009**

(54) **TIRE**

(75) Inventor: **Alexandre Andre Scharis**, Trois-ponts (BE)

(73) Assignee: **The Goodyear Tire & Rubber Company**, Akron, OH (US)

(**) Term: **14 Years**

(21) Appl. No.: **29/329,384**

(22) Filed: **Dec. 15, 2008**

(51) **LOC (9) Cl.** **12-15**

(52) **U.S. Cl.** **D12/586**

(58) **Field of Classification Search** D12/515-518,
D12/547-555, 582-59, 597, 603, 900-901;
152/209.1, 209.8-209.18, 209.25-209.28
See application file for complete search history.

(56) **References Cited**

U.S. PATENT DOCUMENTS

D333,285 S *	2/1993	Hinrichsen et al.	D12/586
D384,313 S *	9/1997	Harden, Jr.	D12/586
D384,620 S	10/1997	Gillard et al.	D12/147
D390,170 S *	2/1998	Stone et al.	D12/590
D397,654 S *	9/1998	Heinen	D12/586
D428,368 S	7/2000	Harris et al.	D12/142
D456,770 S	5/2002	Young	D12/602
D458,582 S	6/2002	Rodicq et al.	D12/586

* cited by examiner

Primary Examiner—Stacia Cadmus

(74) *Attorney, Agent, or Firm*—Richard B. O’Planick

(57) **CLAIM**

The ornamental design for a tire, as shown and described.

DESCRIPTION

FIG. 1 is a perspective view of a tire showing my new design, it being understood that the pattern repeats uniformly throughout the circumference of the tread;

FIG. 2 is a front elevational view thereof;

FIG. 3 is a right side elevational view thereof; the opposite side elevational view being identical thereto;

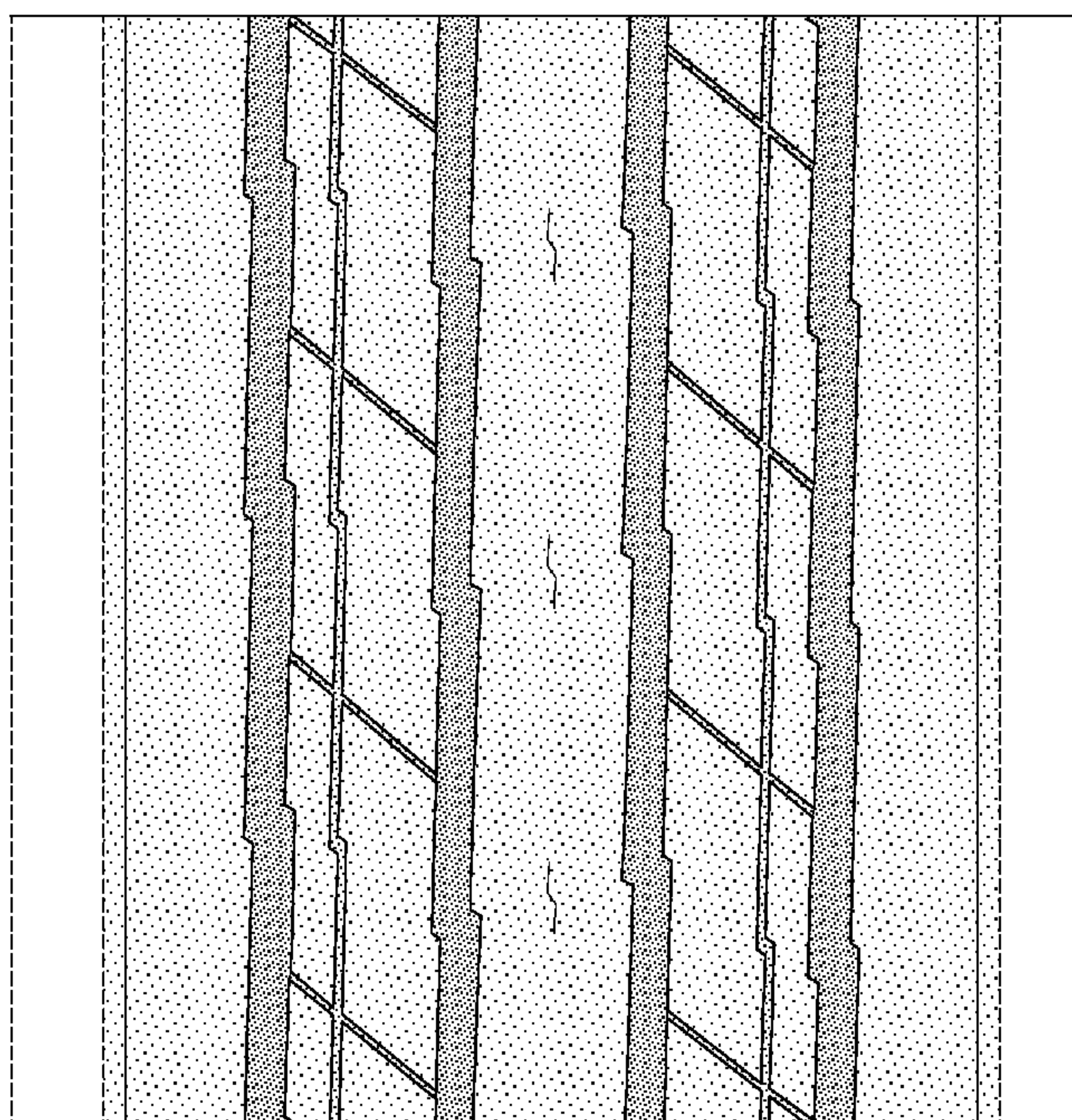
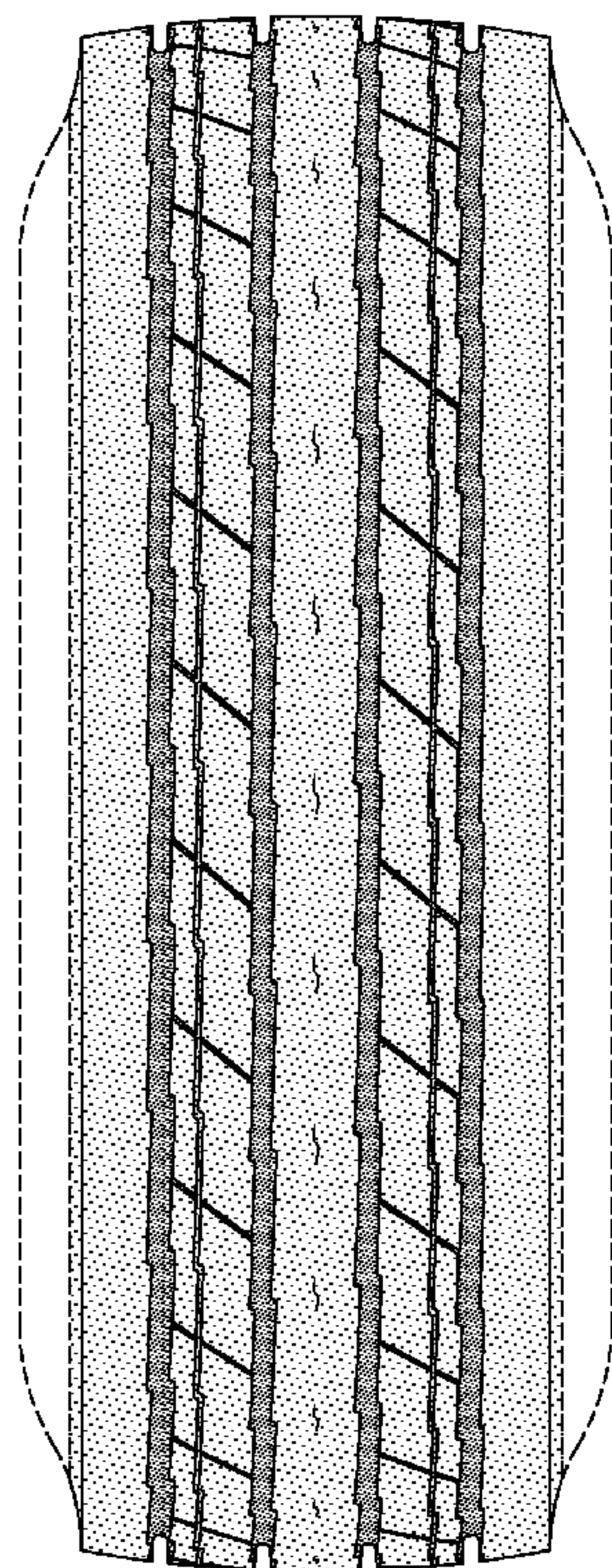
FIG. 4 is an enlarged fragmentary front elevational view thereof;

FIG. 5 is a perspective view of a second embodiment of a tire showing my new design, it being understood that the pattern repeats uniformly throughout the circumference of the tread and that the opposite side perspective view is identical thereto; and,

FIG. 6 is a front elevational view of a second embodiment, it being understood that an enlarged fragmentary view thereof would be substantially identical to that shown in FIG. 4, with the exception of the inclusion of the sidewall in solid lines.

In the drawings, the broken line showing of the sidewall, inner bead and the peripheral boundary between the tire tread and the sidewall in FIGS. 1 through 4 depict environmental subject matter and form no part of the claimed design.

1 Claim, 6 Drawing Sheets



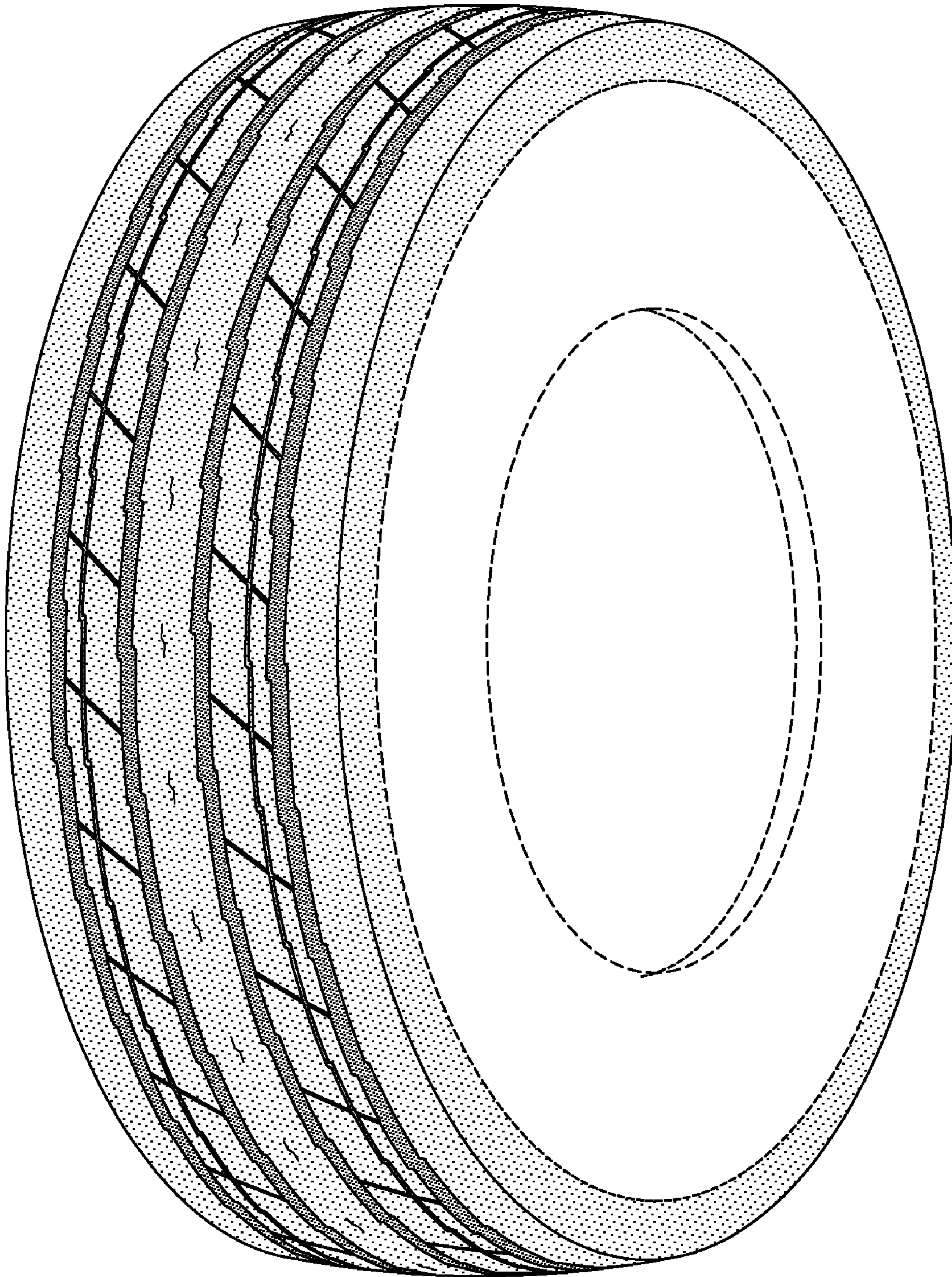


FIG-1

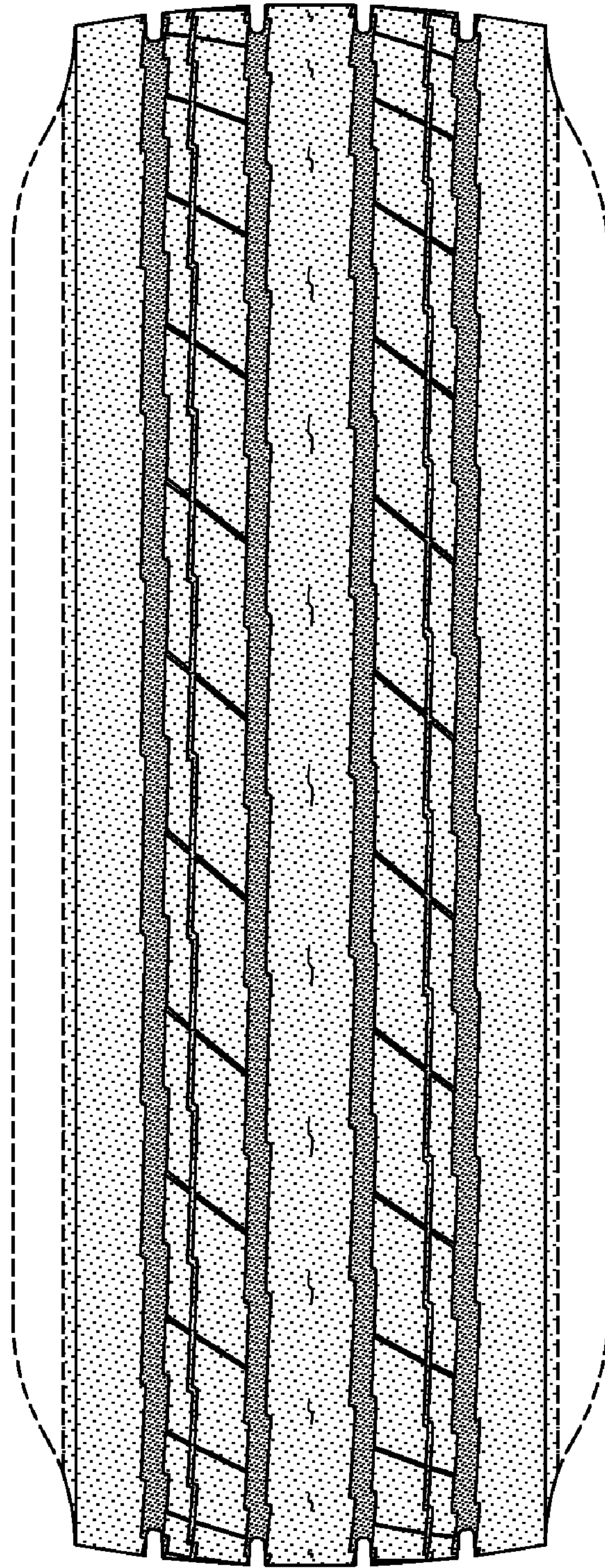


FIG-2

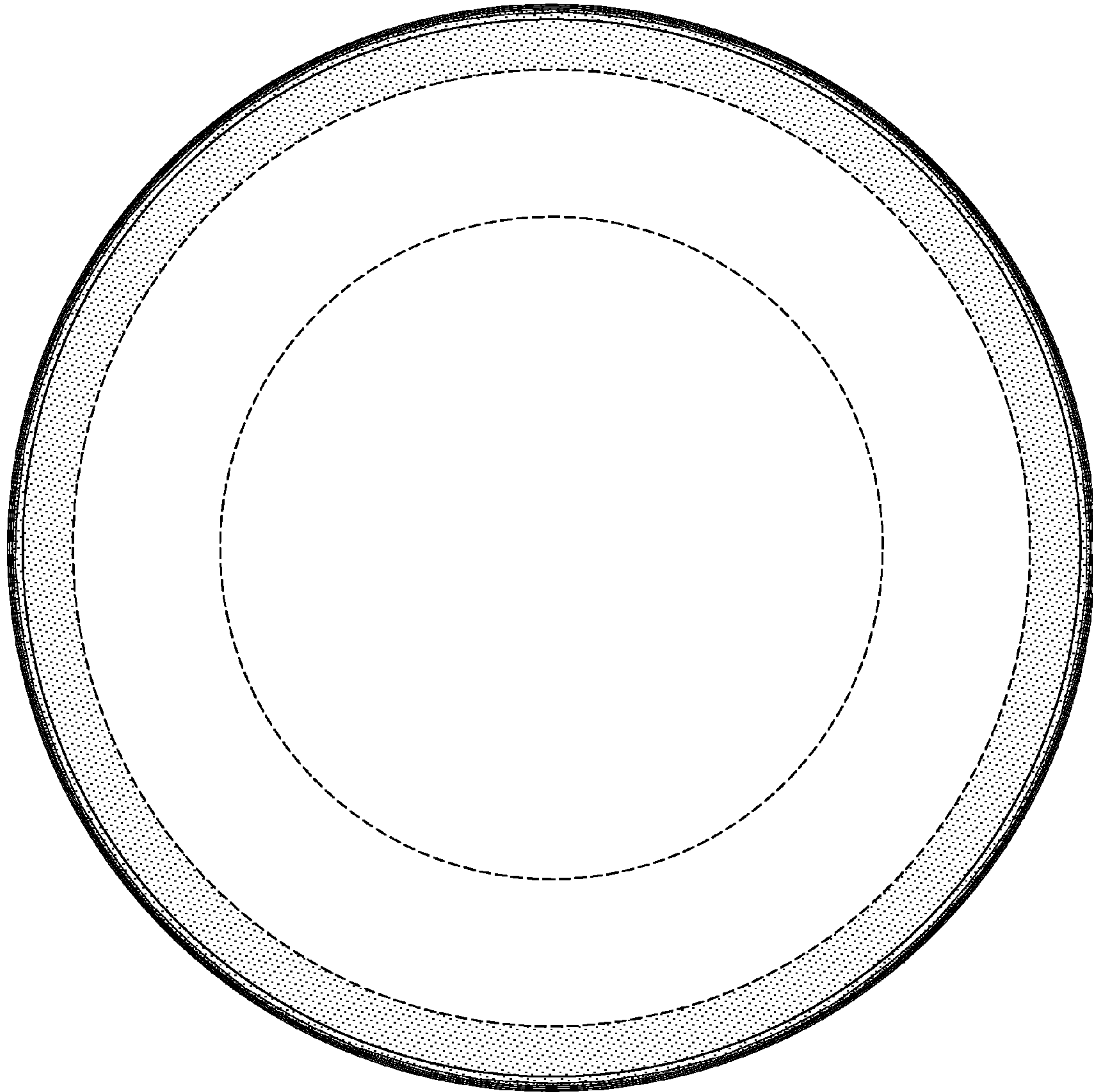


FIG-3

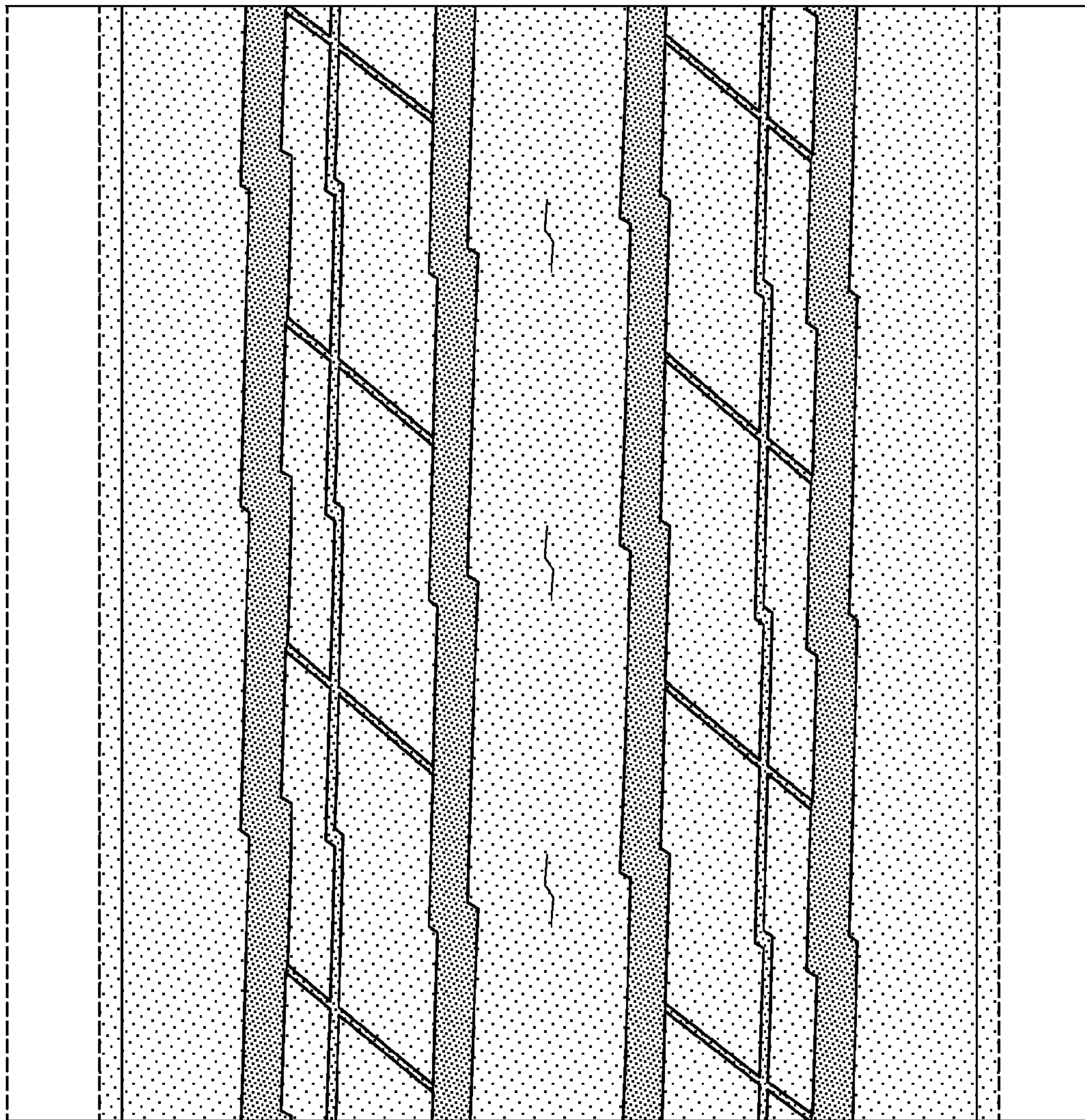


FIG-4

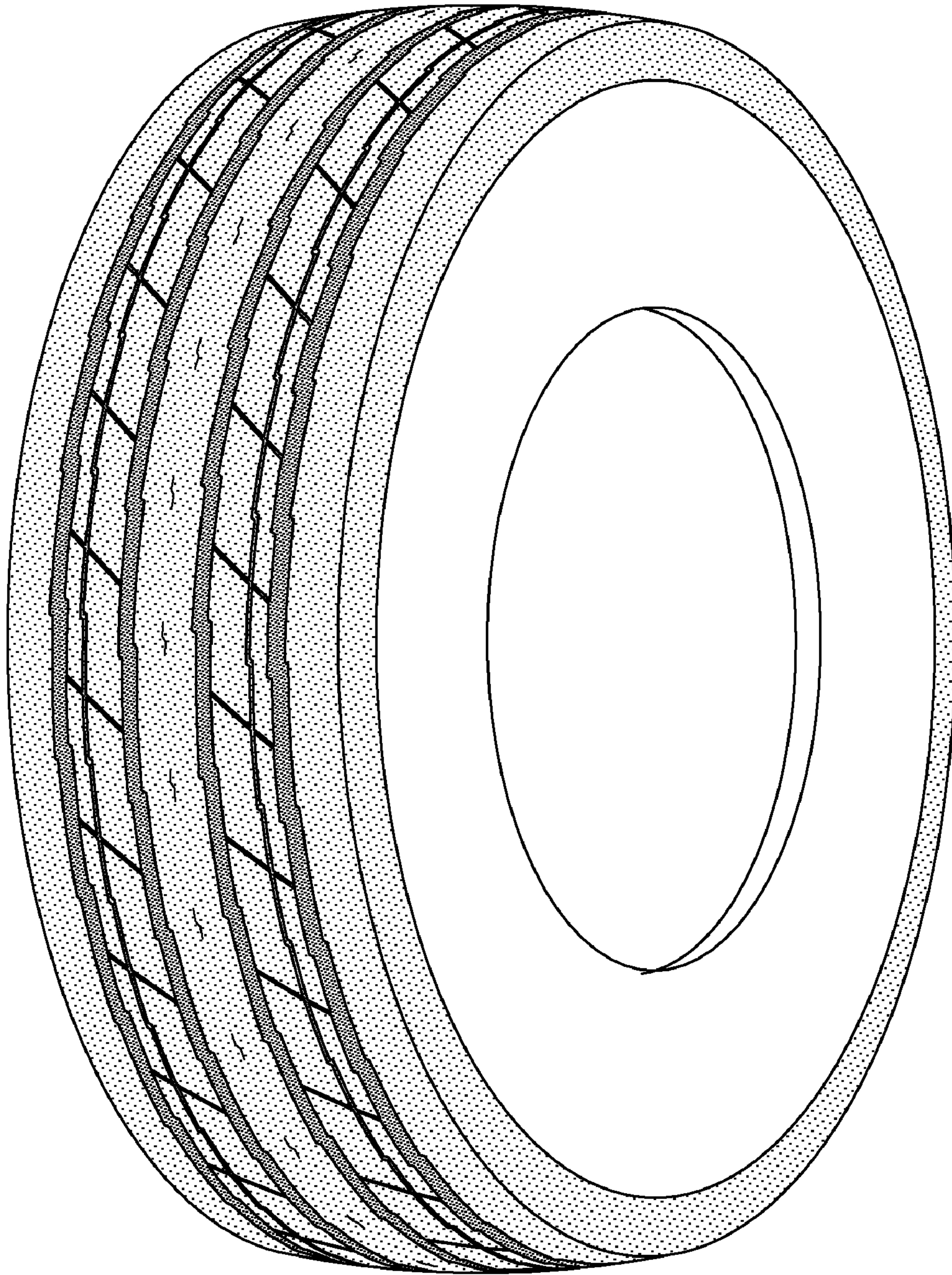


FIG-5

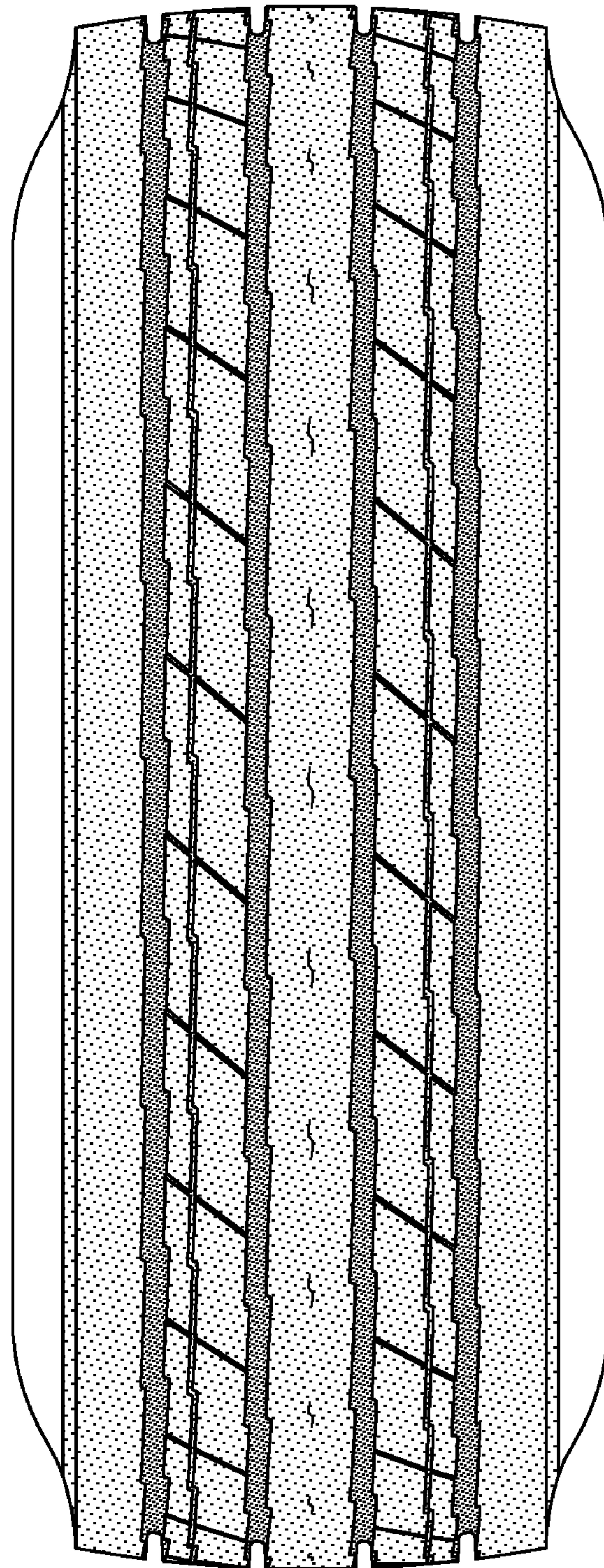


FIG-6