

US00D597474S

(12) **United States Design Patent**  
**Yamakawa et al.**

(10) **Patent No.:** **US D597,474 S**  
(45) **Date of Patent:** **\*\* Aug. 4, 2009**

(54) **TIRE FOR AUTOMOBILE**

(75) Inventors: **Hideto Yamakawa**, Hyogo-ken (JP);  
**Tetsuya Sakaguchi**, Hyogo (JP);  
**Takehiko Murata**, Hyogo (JP)

(73) Assignee: **The Goodyear Tire & Rubber Company**, Akron, OH (US)

(\*\*) Term: **14 Years**

(21) Appl. No.: **29/271,317**

(22) Filed: **Jan. 16, 2007**

(30) **Foreign Application Priority Data**

Jul. 12, 2006 (JP) ..... 2006-018421  
Jul. 12, 2006 (JP) ..... 2006-018422

(51) **LOC (9) Cl.** ..... **12-15**

(52) **U.S. Cl.** ..... **D12/519; D12/523**

(58) **Field of Classification Search** ..... D12/505-532,  
D12/900-901; 152/209.1, 209.8-209.18,  
152/209.25-209.28, 455

See application file for complete search history.

(56) **References Cited**

**U.S. PATENT DOCUMENTS**

D432,956 S \* 10/2000 Ricquet ..... D12/521  
D447,097 S \* 8/2001 Graas et al. .... D12/523  
D452,667 S 1/2002 Tsubono ..... D12/147  
D464,020 S \* 10/2002 Dahlberg et al. .... D12/518  
D490,045 S \* 5/2004 Delu et al. .... D12/519

D515,019 S \* 2/2006 Umstot et al. .... D12/519  
D522,442 S \* 6/2006 Shirouzu ..... D12/515  
D524,233 S \* 7/2006 Marazzi et al. .... D12/521  
D524,236 S \* 7/2006 Marazzi et al. .... D12/524  
D525,186 S \* 7/2006 Martin ..... D12/521  
D551,156 S \* 9/2007 Shinohara et al. .... D12/521  
D558,128 S \* 12/2007 Delu et al. .... D12/521  
D560,595 S \* 1/2008 Bindner et al. .... D12/521

\* cited by examiner

*Primary Examiner*—Stacia Cadmus

(74) *Attorney, Agent, or Firm*—Richard B. O’Planick

(57) **CLAIM**

The ornamental design for a tire for automobile, as shown and described.

**DESCRIPTION**

FIG. 1 is a perspective view of a tire tread showing our new design, it being understood that the pattern repeats uniformly throughout the circumference of the tread;

FIG. 2 is a front elevational view thereof;

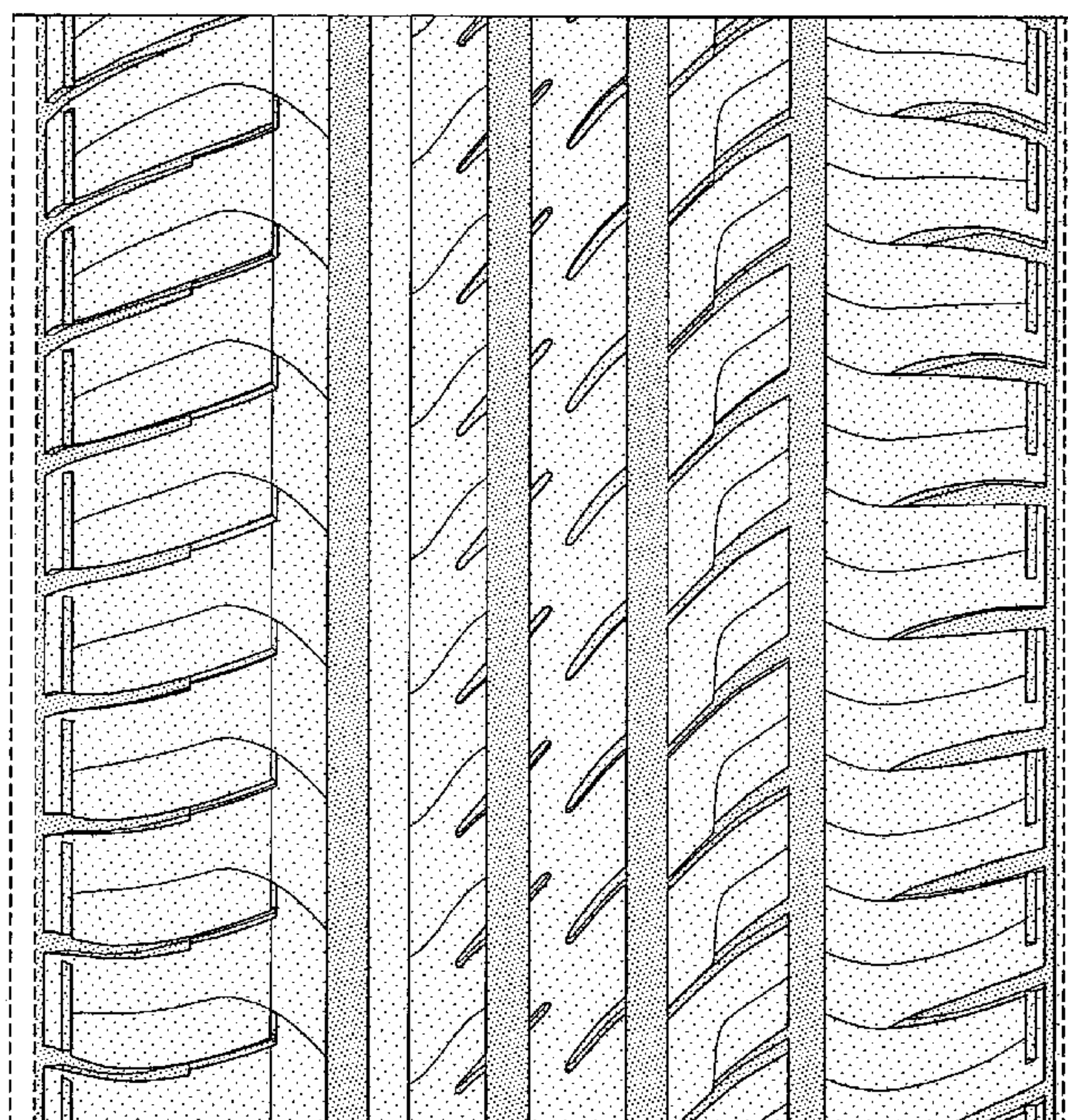
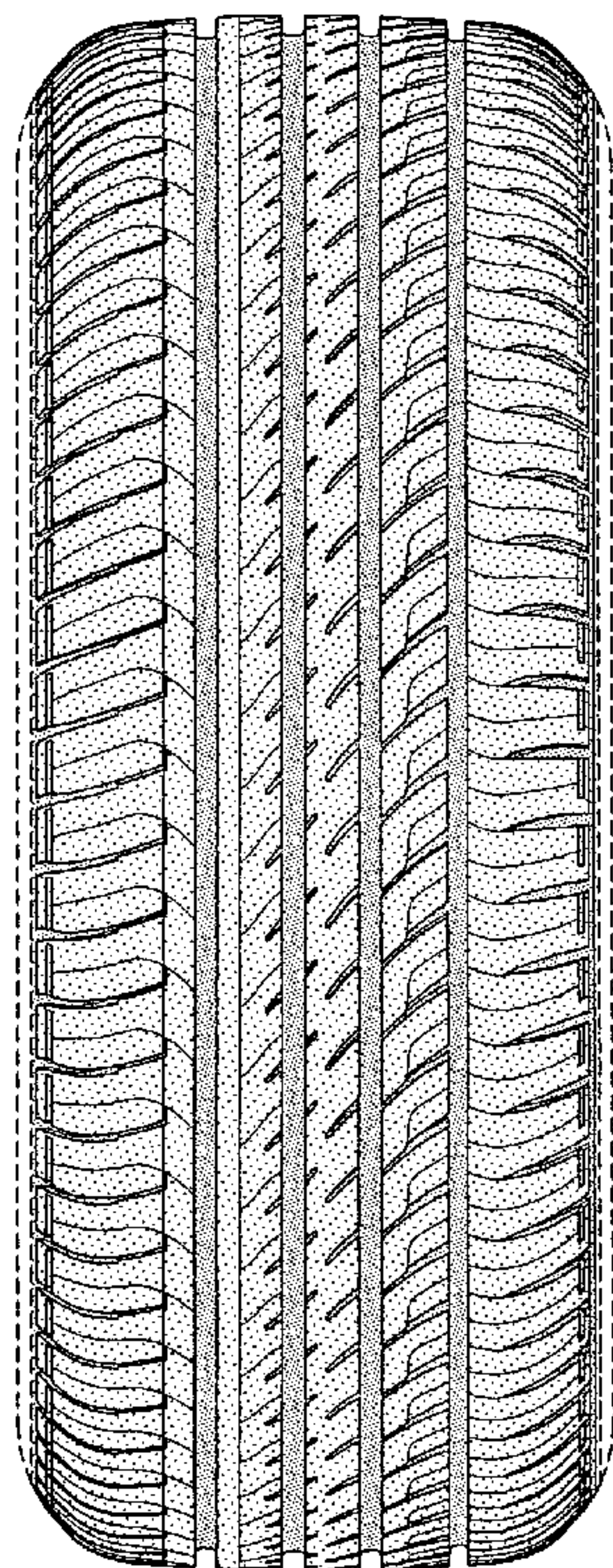
FIG. 3 is a right side elevational view thereof;

FIG. 4 is a left side elevational view thereof; and,

FIG. 5 is an enlarged fragmentary front elevational view thereof.

In the drawings, the broken lines defining the sidewall, inner bead and the peripheral boundary between the claimed tire tread and the unclaimed sidewall depict environmental subject matter that forms no part of the claimed design.

**1 Claim, 5 Drawing Sheets**





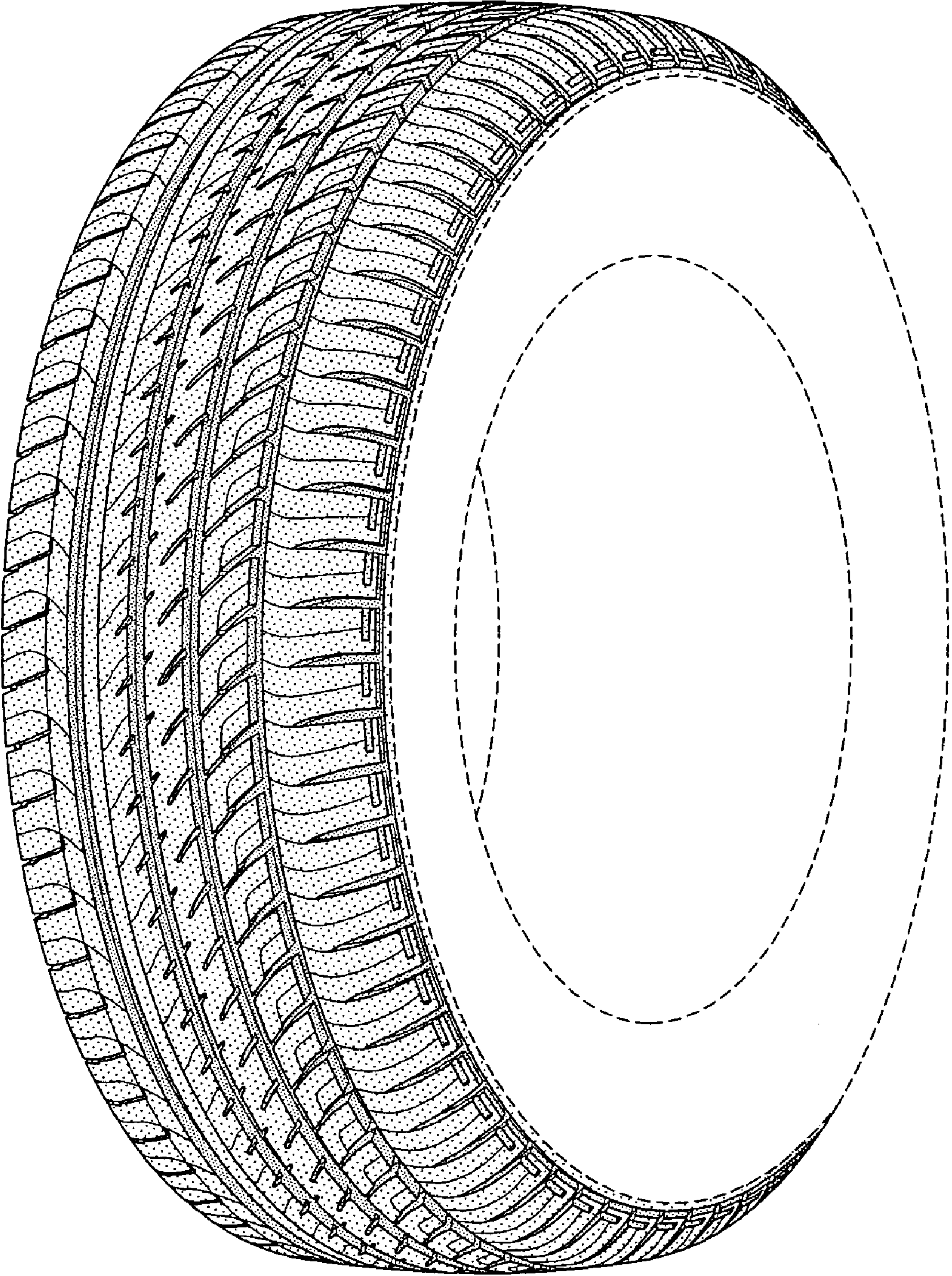


FIG-1



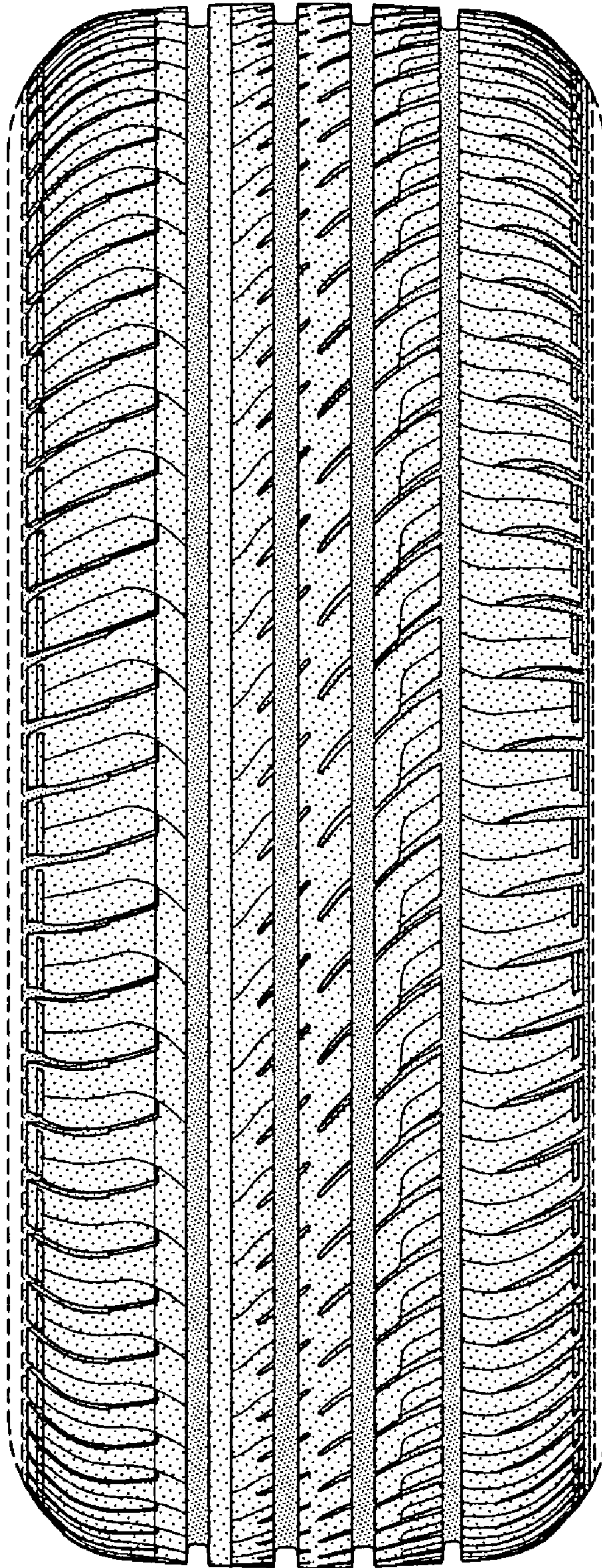


FIG-2

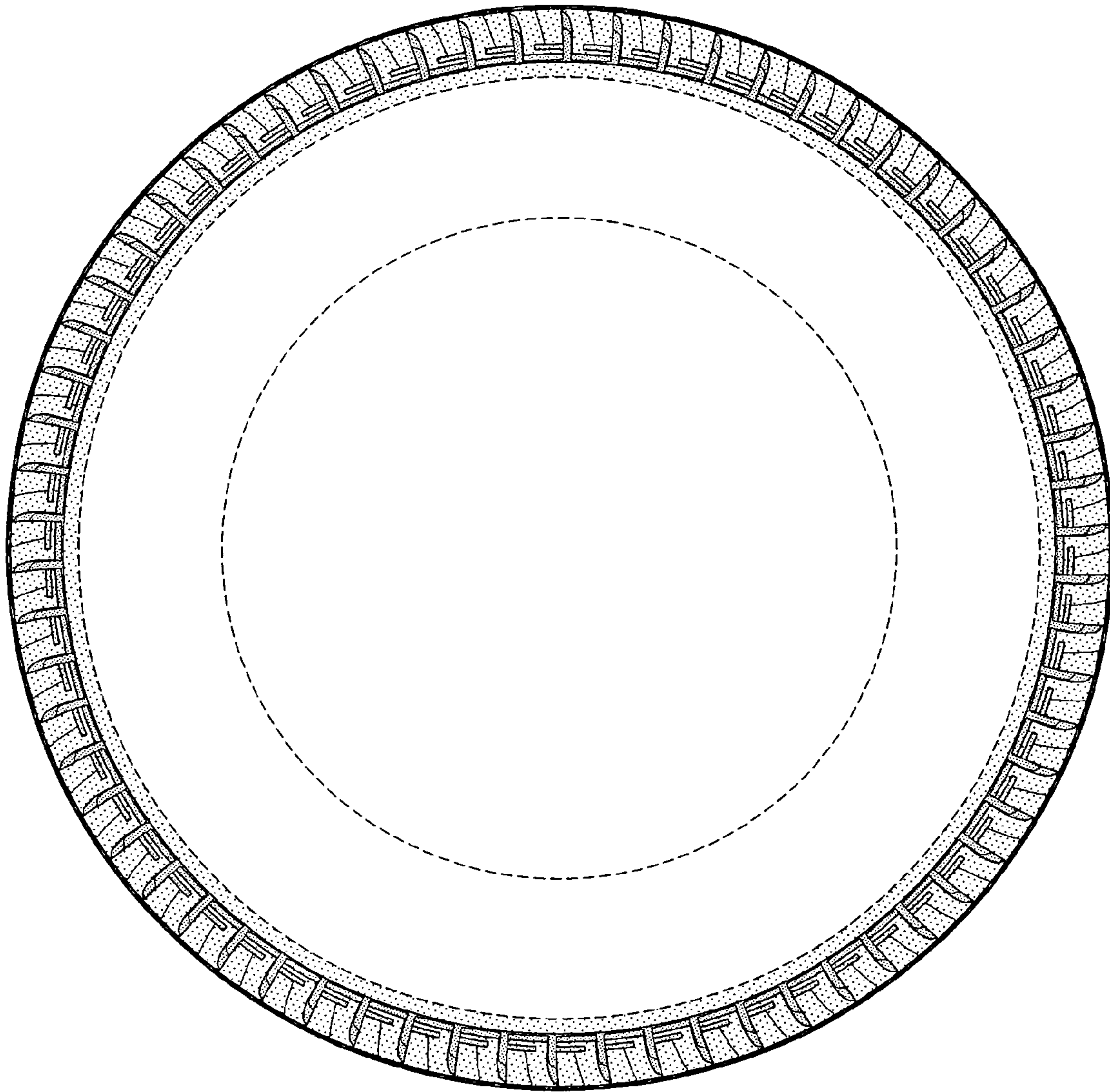


FIG-3



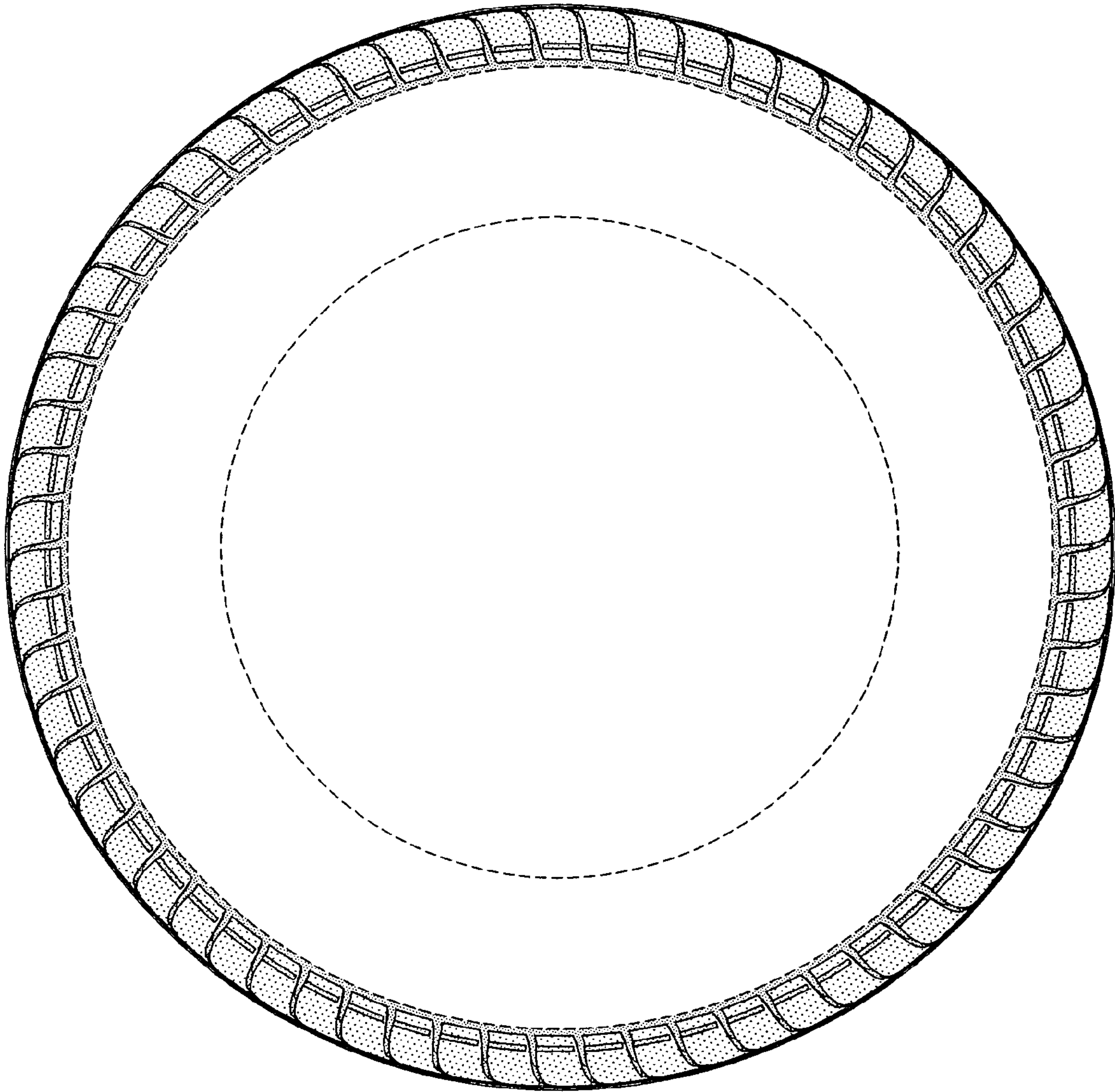


FIG-4

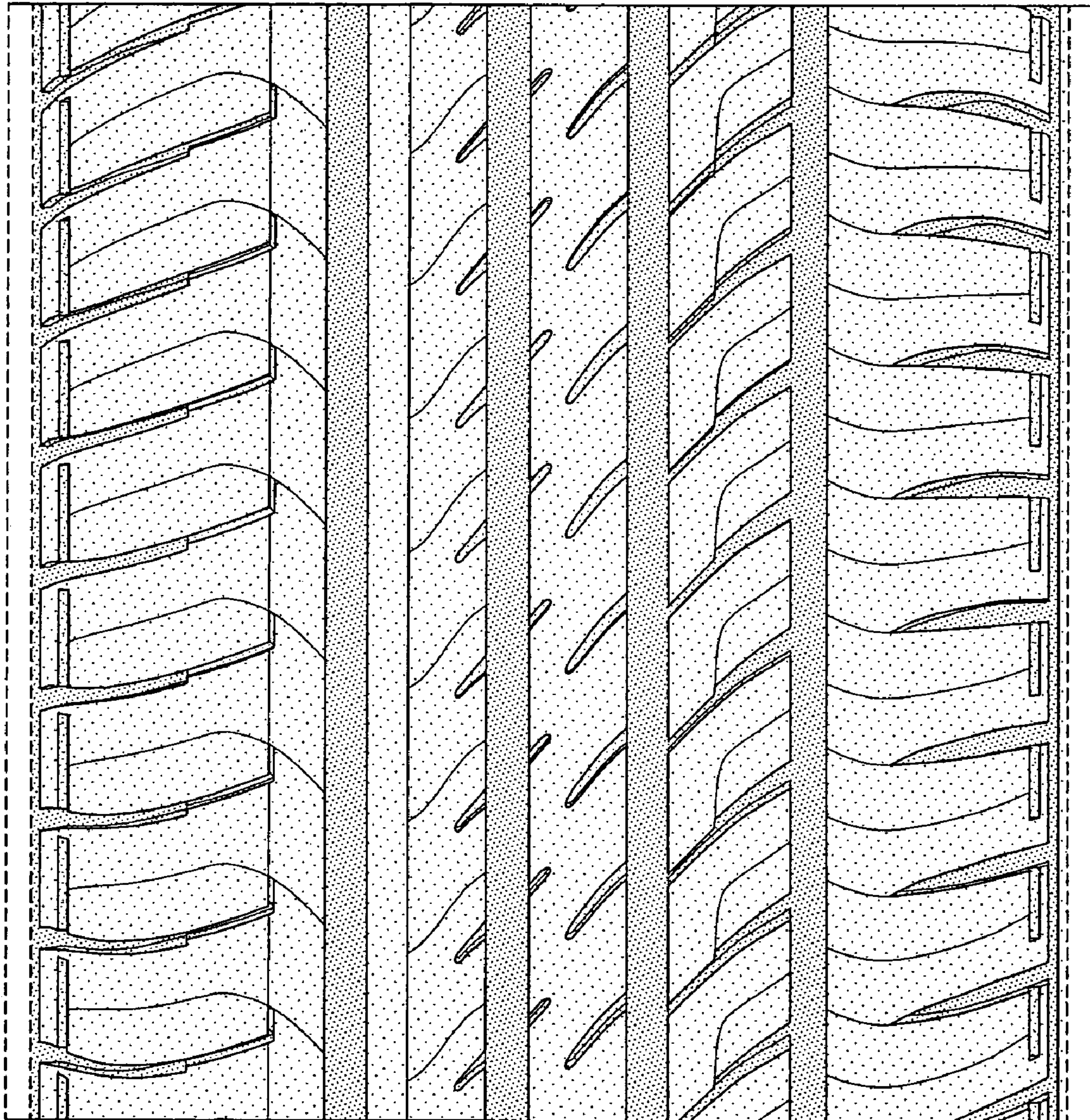


FIG-5