

US00D597471S

(12) **United States Design Patent**
Hammer

(10) **Patent No.:** **US D597,471 S**

(45) **Date of Patent:** **** Aug. 4, 2009**

(54) **TRUCK AIR HOSE HOLDER**

7,086,659 B2 8/2006 Baginski

(76) **Inventor:** **Douglas A. Hammer**, 1773 Winterhaven Rd., Fallbrook, CA (US) 92028

* cited by examiner

Primary Examiner—Holly H Baynham

Assistant Examiner—Sheryl Lane

(74) *Attorney, Agent, or Firm*—Loyal McKinley Hanson

(**) **Term:** **14 Years**

(21) **Appl. No.:** **29/301,955**

(22) **Filed:** **Mar. 25, 2008**

(57) **CLAIM**

I claim the ornamental design for a truck air hose holder, as shown and described.

(51) **LOC (9) Cl.** **12-06**

(52) **U.S. Cl.** **D12/223**

(58) **Field of Classification Search** D12/223;
D8/356; 248/58, 75; 280/420

See application file for complete search history.

DESCRIPTION

FIG. 1 of the drawings is a perspective view showing the front, top, and right side of a truck air hose holder embodying the design of my invention;

FIG. 2 is a front elevation view of the truck air hose holder;

FIG. 3 is a top view;

FIG. 4 is a right side elevation view;

FIG. 5 is a left side elevation view;

FIG. 6 is a back elevation view; and,

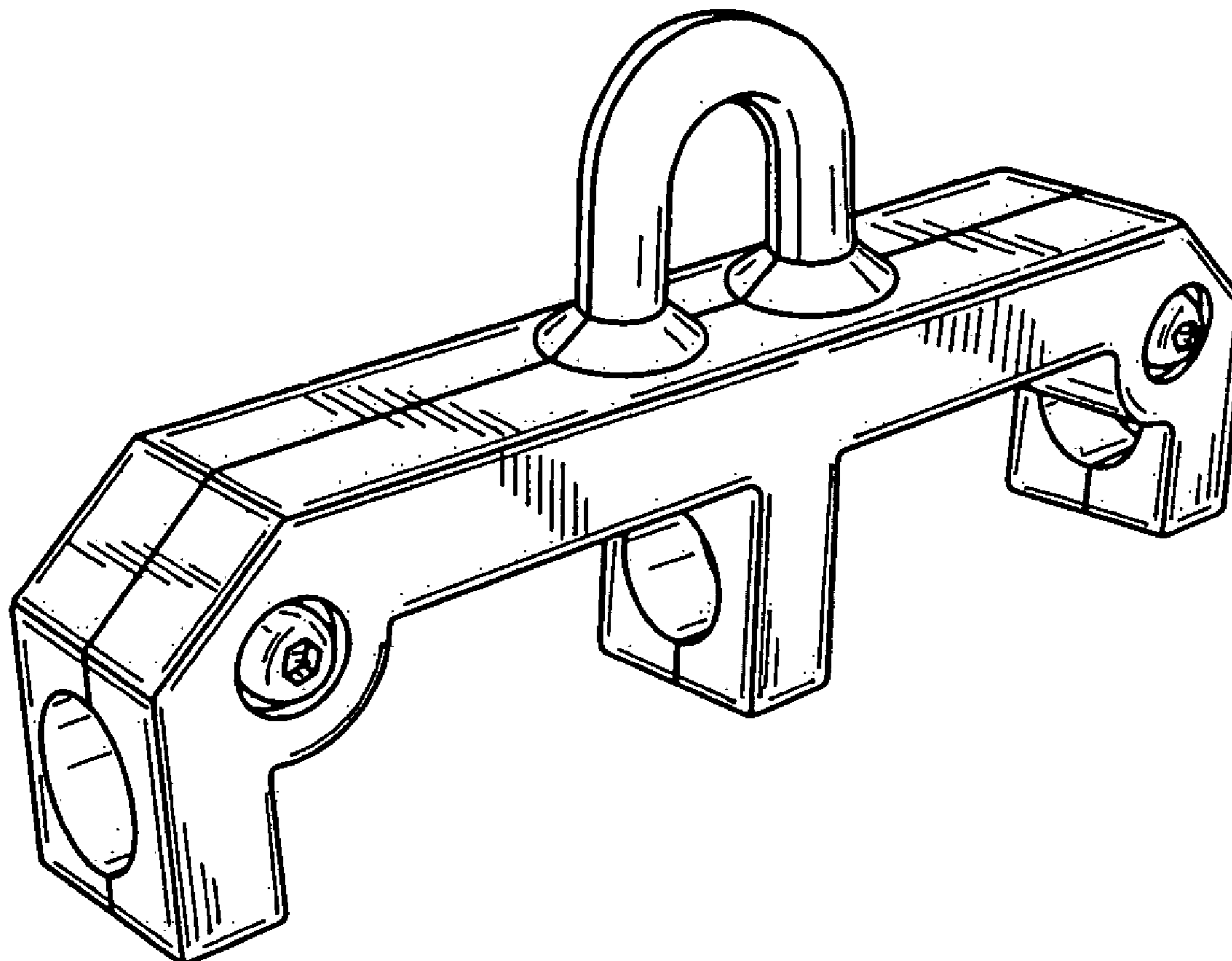
FIG. 7 is a bottom view.

(56) **References Cited**

U.S. PATENT DOCUMENTS

3,650,545	A	3/1972	Freed	
4,358,082	A	11/1982	Reeves	
5,909,861	A	6/1999	Korson	
D427,504	S	* 7/2000	Dziedzic D8/356
6,095,462	A	* 8/2000	Morgan 248/82
D494,450	S	* 8/2004	Schultz et al. D8/356
6,902,180	B2	6/2005	Baginski	
D513,168	S	* 12/2005	Chu D8/356

1 Claim, 2 Drawing Sheets



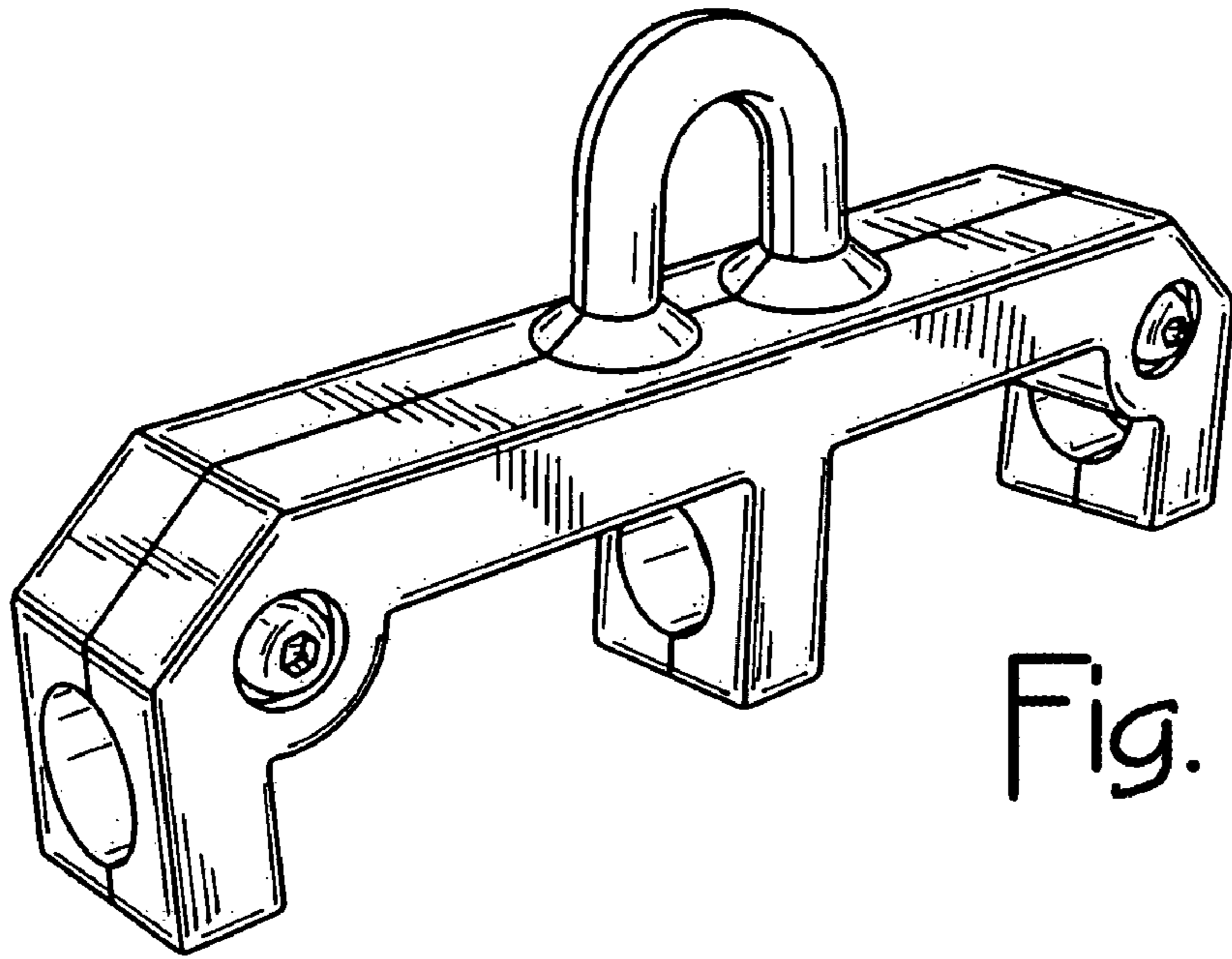


Fig. 1

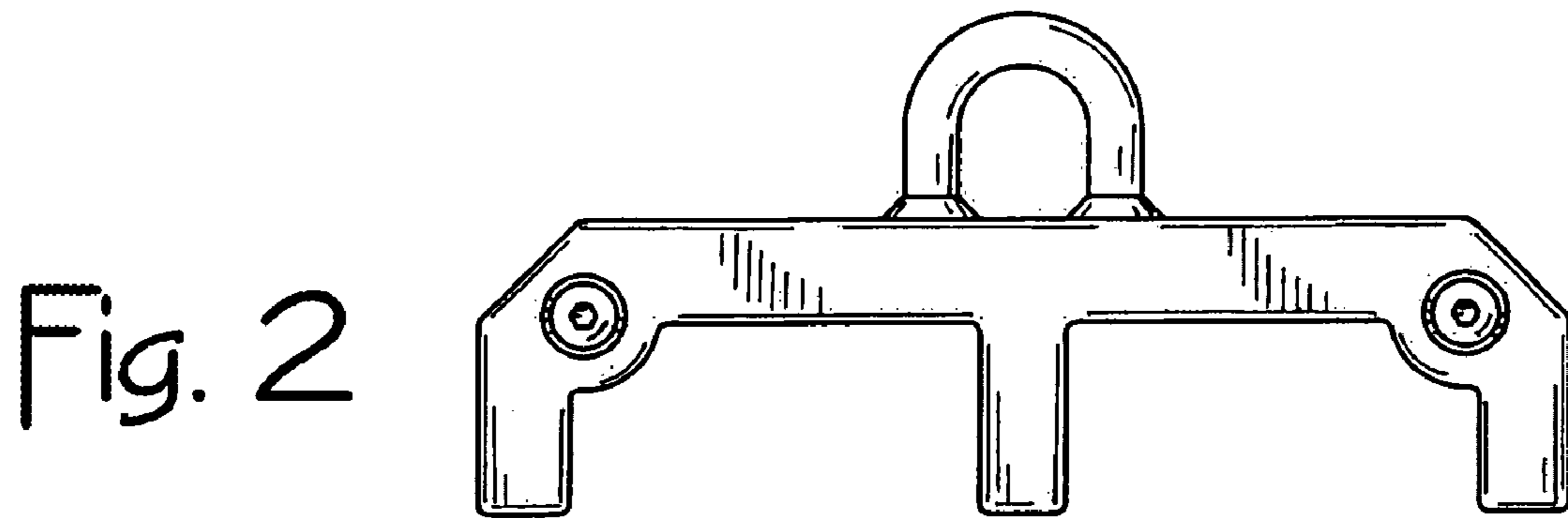


Fig. 2

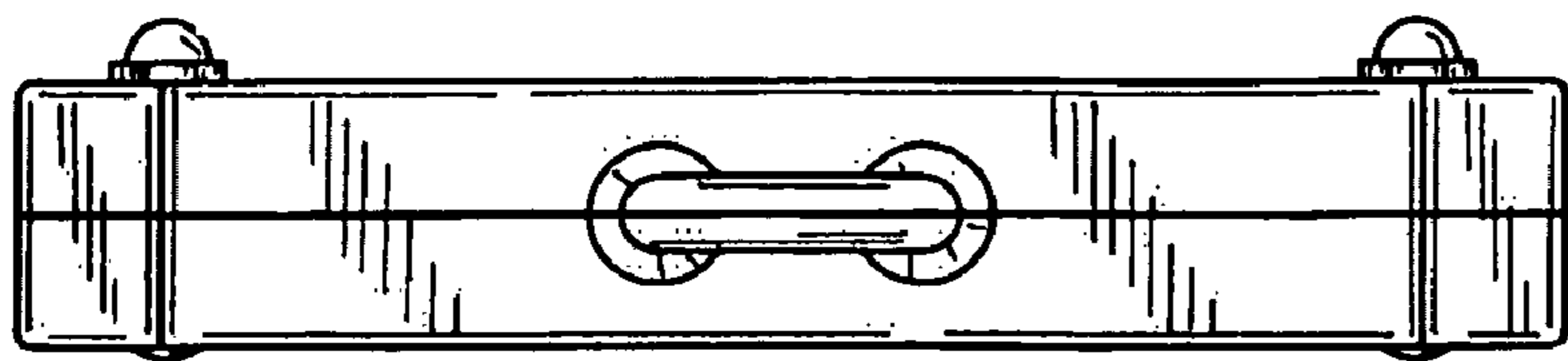


Fig. 3

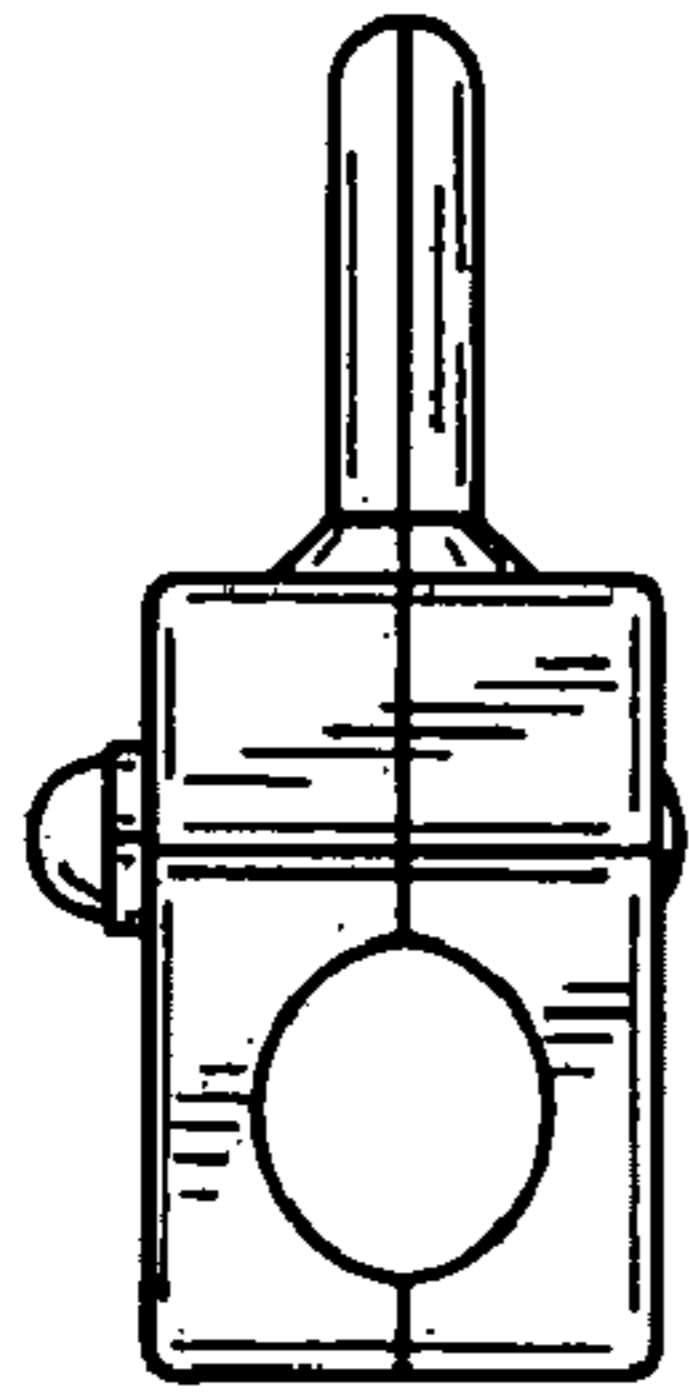


Fig. 4

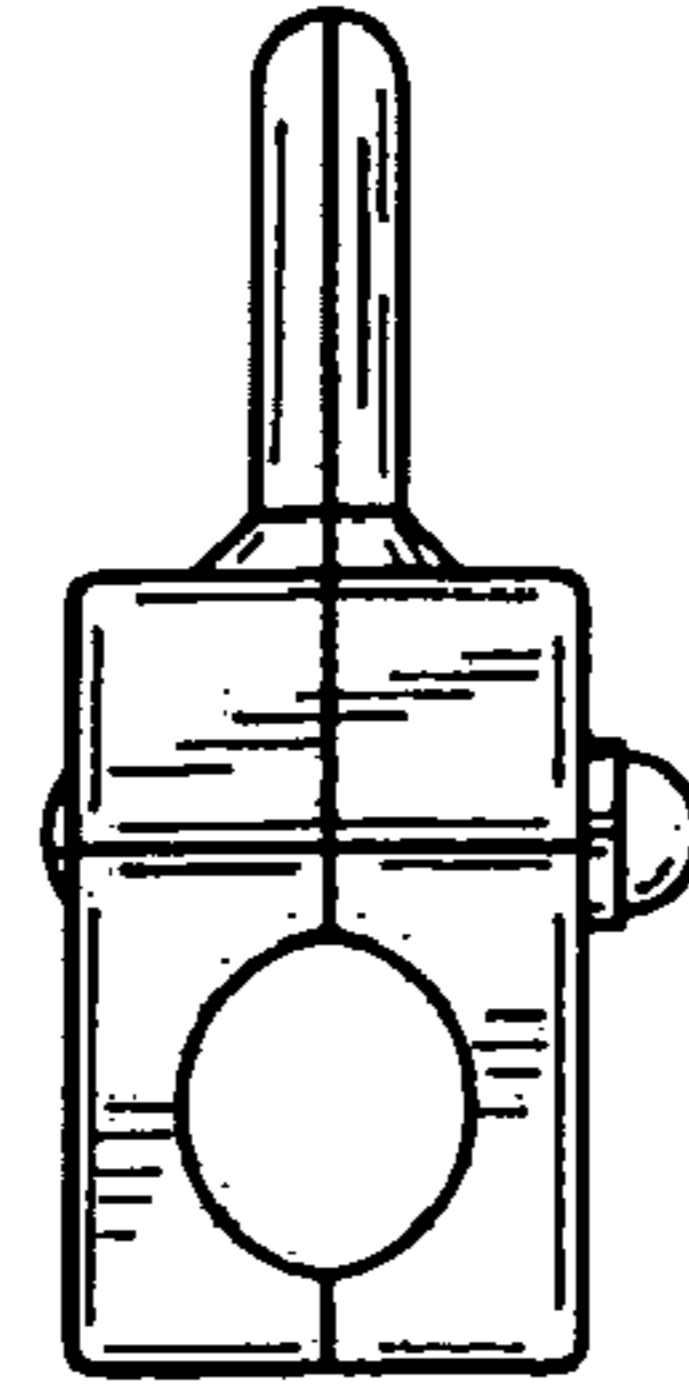


Fig. 5

Fig. 6

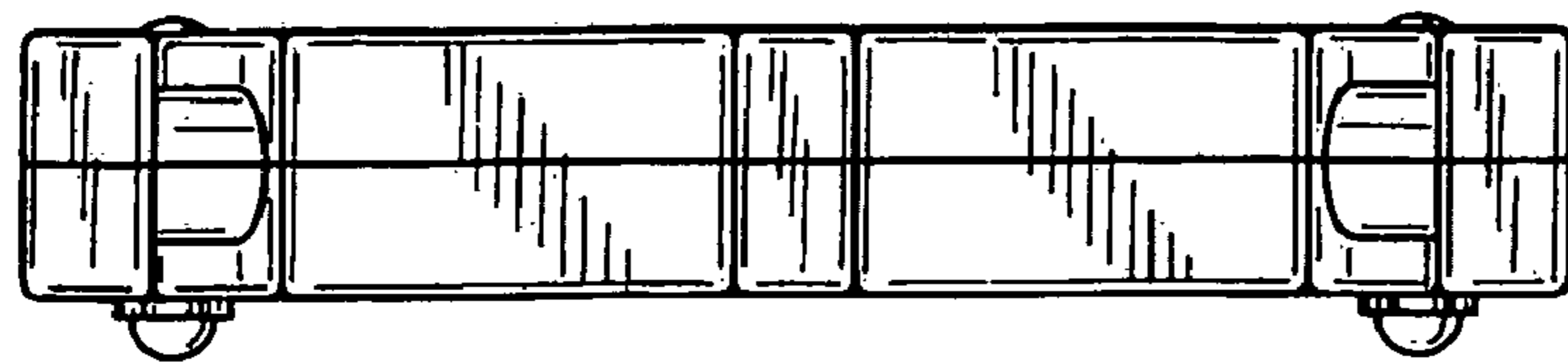
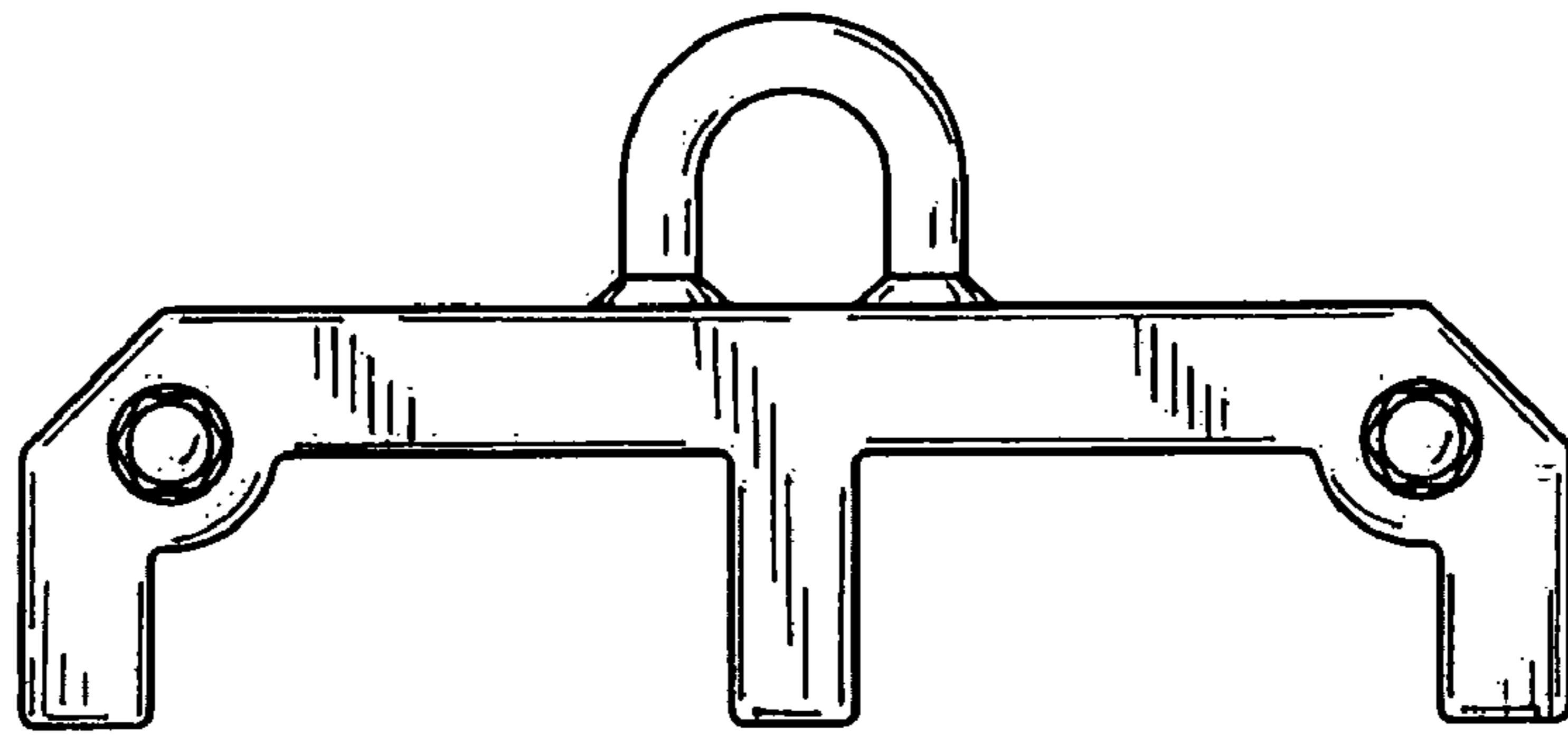


Fig. 7