



US00D597470S

(12) **United States Design Patent**
Grasso et al.

(10) **Patent No.:** **US D597,470 S**
(45) **Date of Patent:** **** Aug. 4, 2009**

(54) **SUPPORT PLATE AND SIDE LOCK
CONNECTOR FOR A UNIVERSAL
CONNECTION OF A WIPER BLADE**

(76) Inventors: **Giuseppe Grasso**, 11, allée des
Coquelicots, 63340 Le Breuil sur Couze
(FR); **Philippe Espinasse**, 27,
lotissement les Vergers, 63114 Coudes
(FR); **Jean-Francois Rousseau**, 25, rue
Montagnat, 63340 Charbonniere les
Mines (FR); **Xavier Bousset**, 5, avenue
Leon Blum, 63000 Clermont Ferrand
(FR)

(**) Term: **14 Years**

(21) Appl. No.: **29/308,059**

(22) Filed: **May 23, 2008**

(30) **Foreign Application Priority Data**

Nov. 26, 2007 (EM) 000832084-0003

(51) **LOC (9) Cl.** **12-06**

(52) **U.S. Cl.** **D12/220**

(58) **Field of Classification Search** D12/219–220;
15/246, 247, 250.001, 250.04, 250.361, 250.19,
15/250.48, 250.03, 250.31–250.33, 250.351,
15/250.38, 250.201, 250.451, 250.458, 250.07,
15/250.44

See application file for complete search history.

(56) **References Cited**

U.S. PATENT DOCUMENTS

5,885,023 A * 3/1999 Witek et al. 403/321

D478,308 S * 8/2003 Lee D12/220
6,609,267 B1 * 8/2003 Journee et al. 15/250.32
D553,552 S * 10/2007 Heng D12/220
D556,118 S * 11/2007 Claes D12/220
D564,434 S * 3/2008 Claes D12/220
D564,955 S * 3/2008 Claes D12/220
D569,327 S * 5/2008 Lin D12/220
2004/0123414 A1 * 7/2004 Lee 15/250.32
2008/0086830 A1 * 4/2008 Kim 15/250.32
2008/0313841 A1 * 12/2008 De Block et al. 15/250.32

* cited by examiner

Primary Examiner—Caron Veynar

Assistant Examiner—Katrina A Kile

(74) *Attorney, Agent, or Firm*—Sofer Huroun, LLP

(57) **CLAIM**

We claim the ornamental design for a support plate and side lock connector for a universal connection of a wiper blade, as shown and described.

DESCRIPTION

FIG. 1 is a bottom view of a support plate and side lock connector for a universal connection of a wiper blade showing our new design;

FIG. 2 shows the connector of FIG. 1 in a front view;

FIG. 3 shows the connector of FIG. 1 in a right side view;

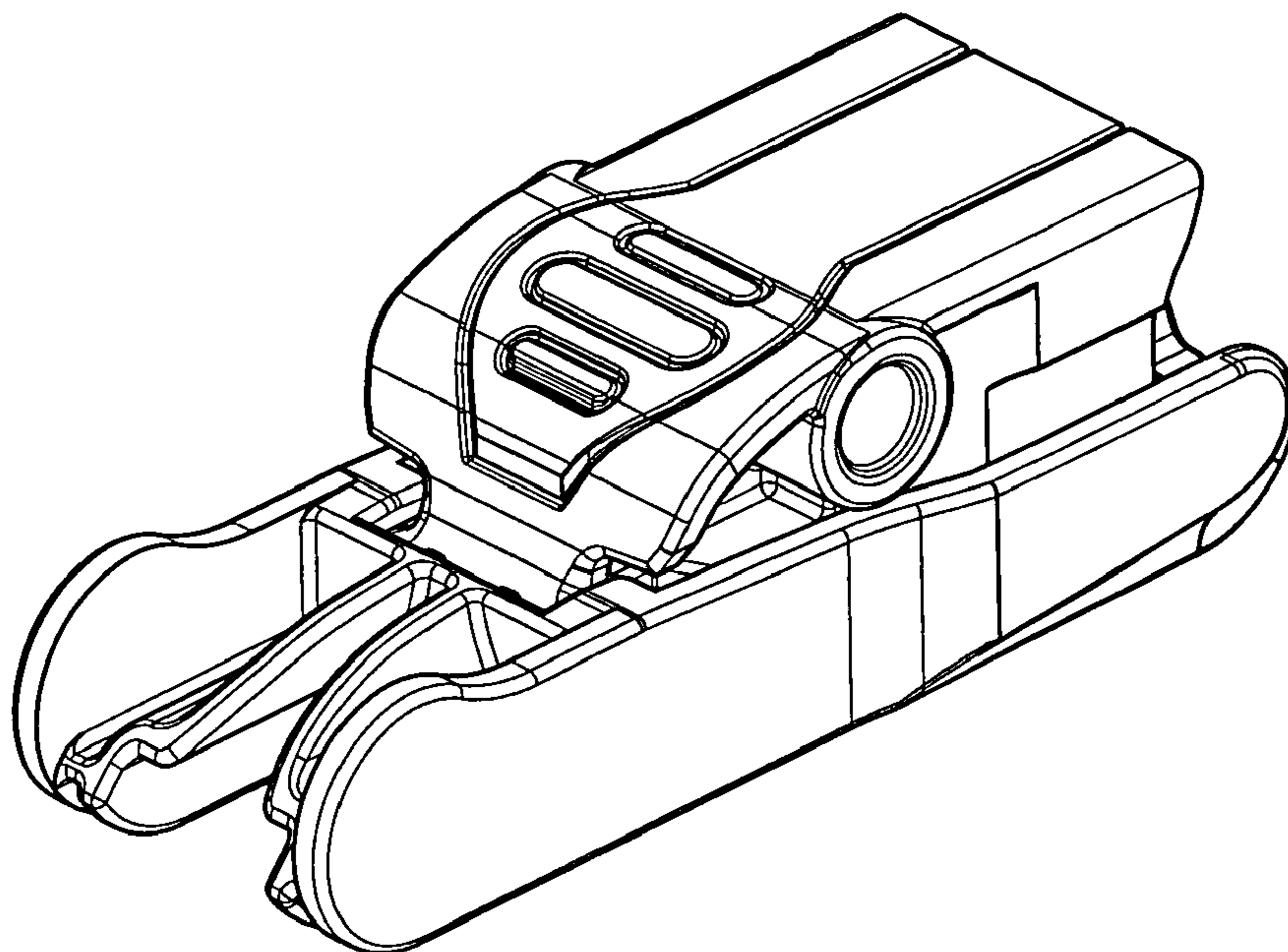
FIG. 4 shows the connector of FIG. 1 in a rear view;

FIG. 5 shows the connector of FIG. 1 in a top view;

FIG. 6 shows the connector of FIG. 1 in a left side view; and,

FIG. 7 shows the connector of FIG. 1 in a left side perspective view.

1 Claim, 2 Drawing Sheets



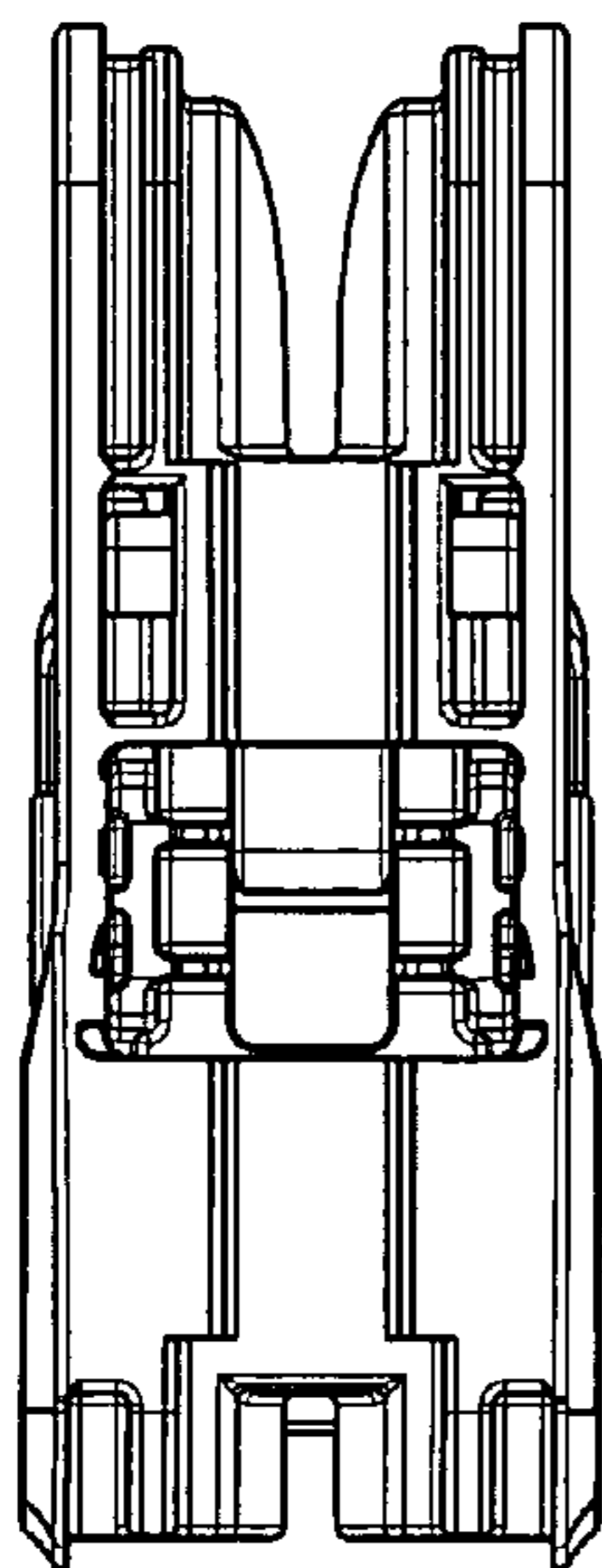


Figure 1

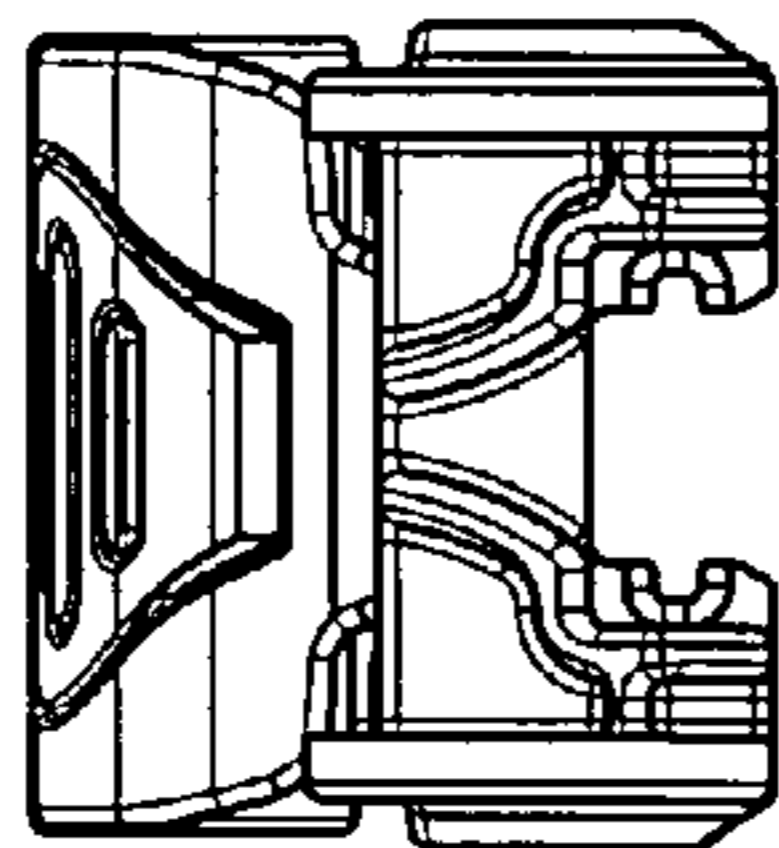


Figure 2

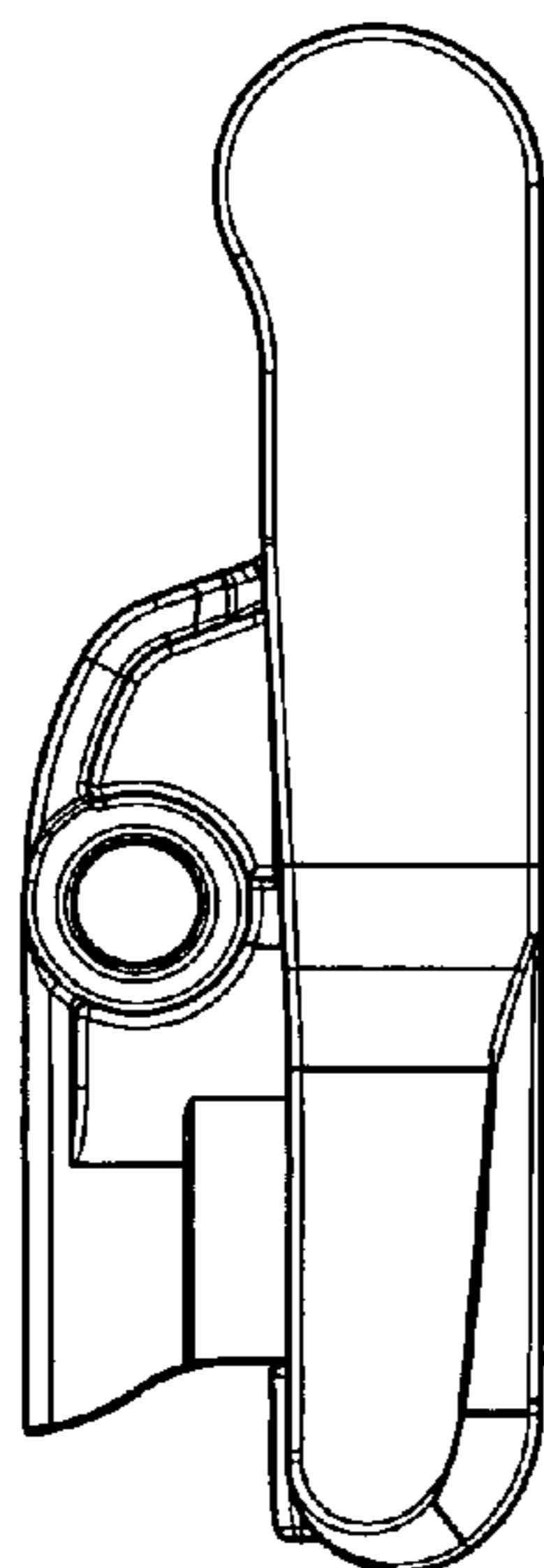


Figure 3

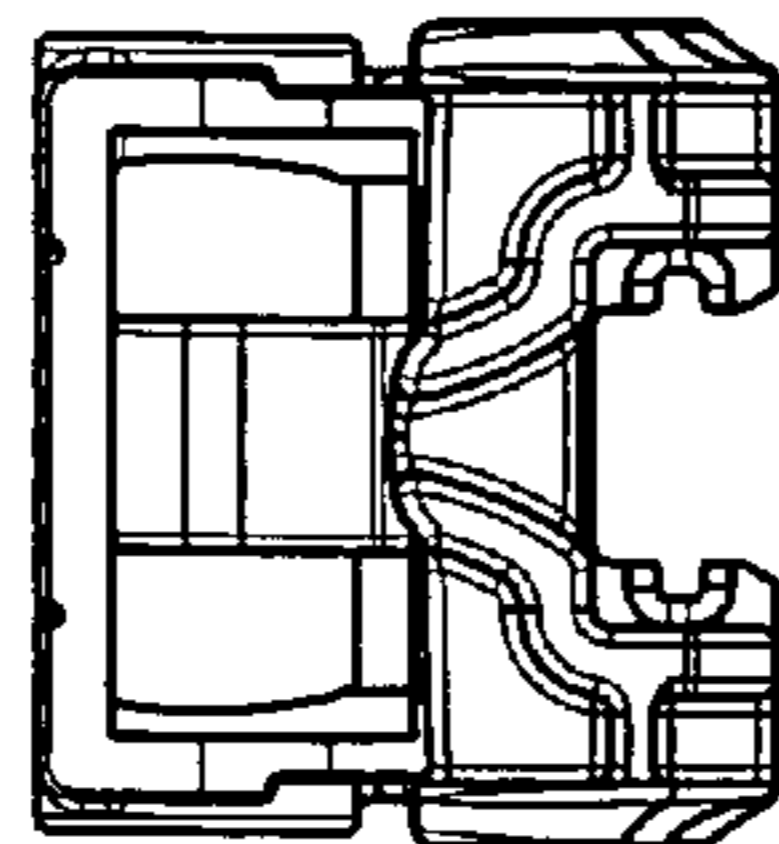


Figure 4

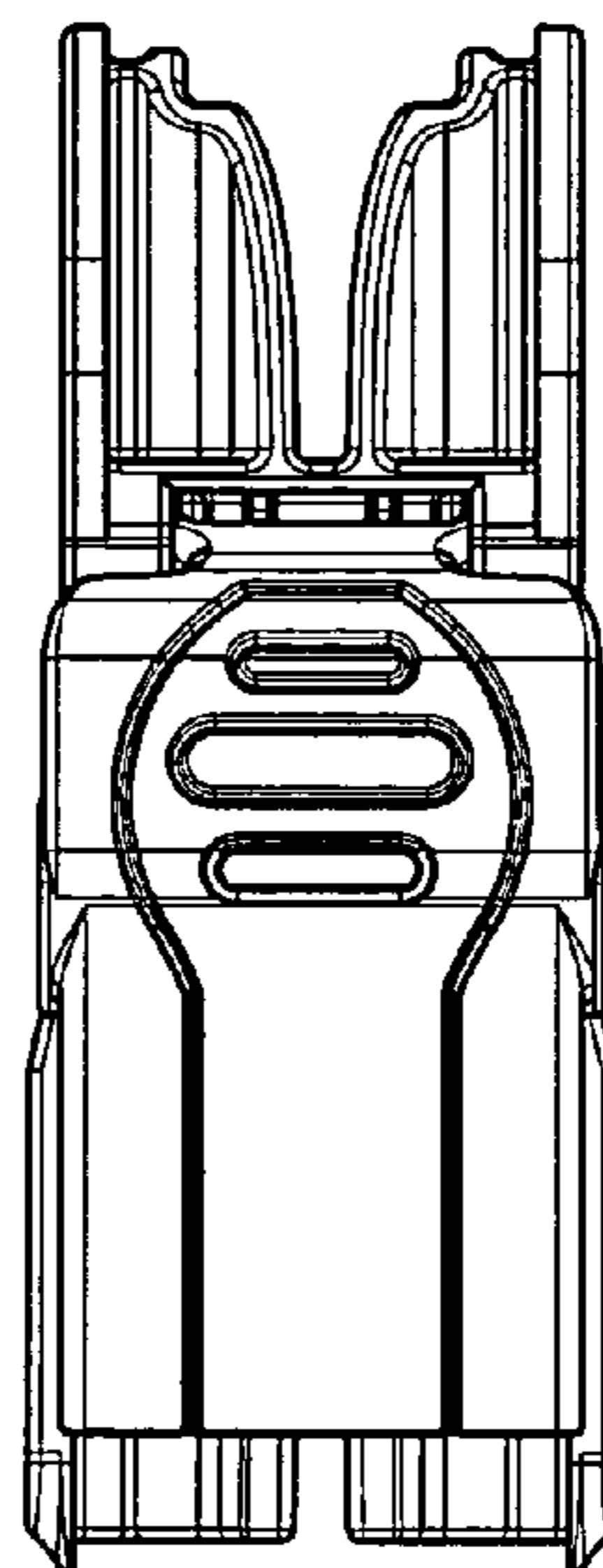


Figure 5

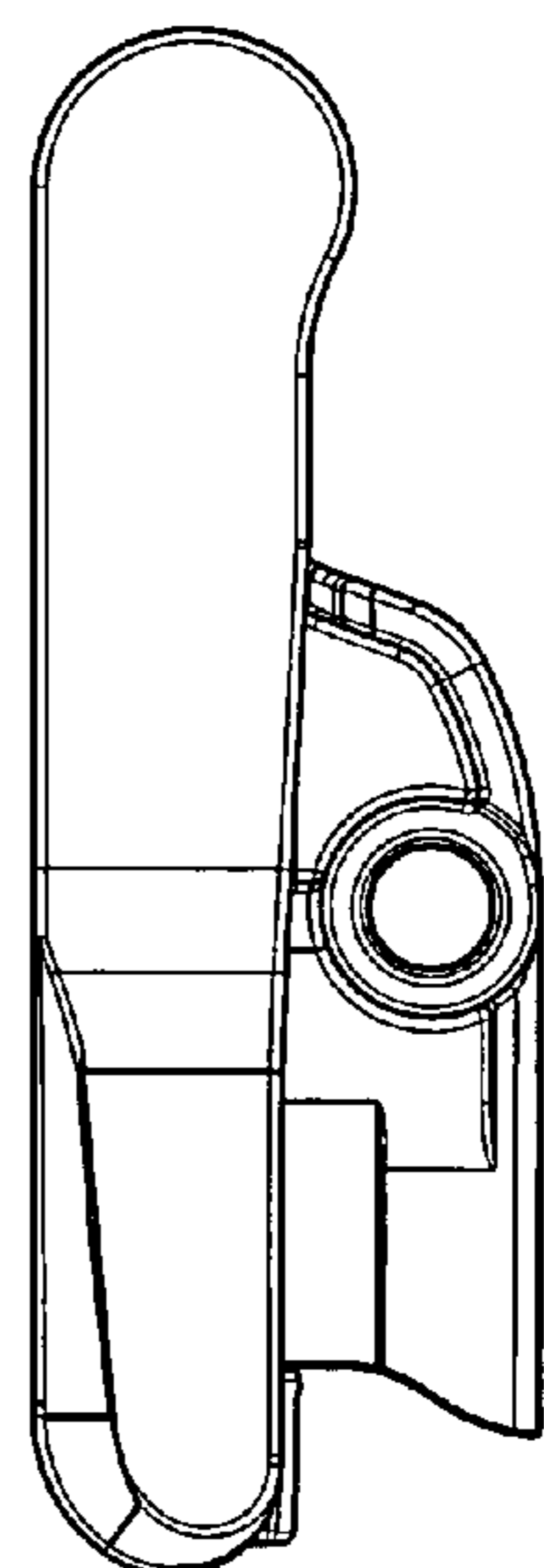


Figure 6

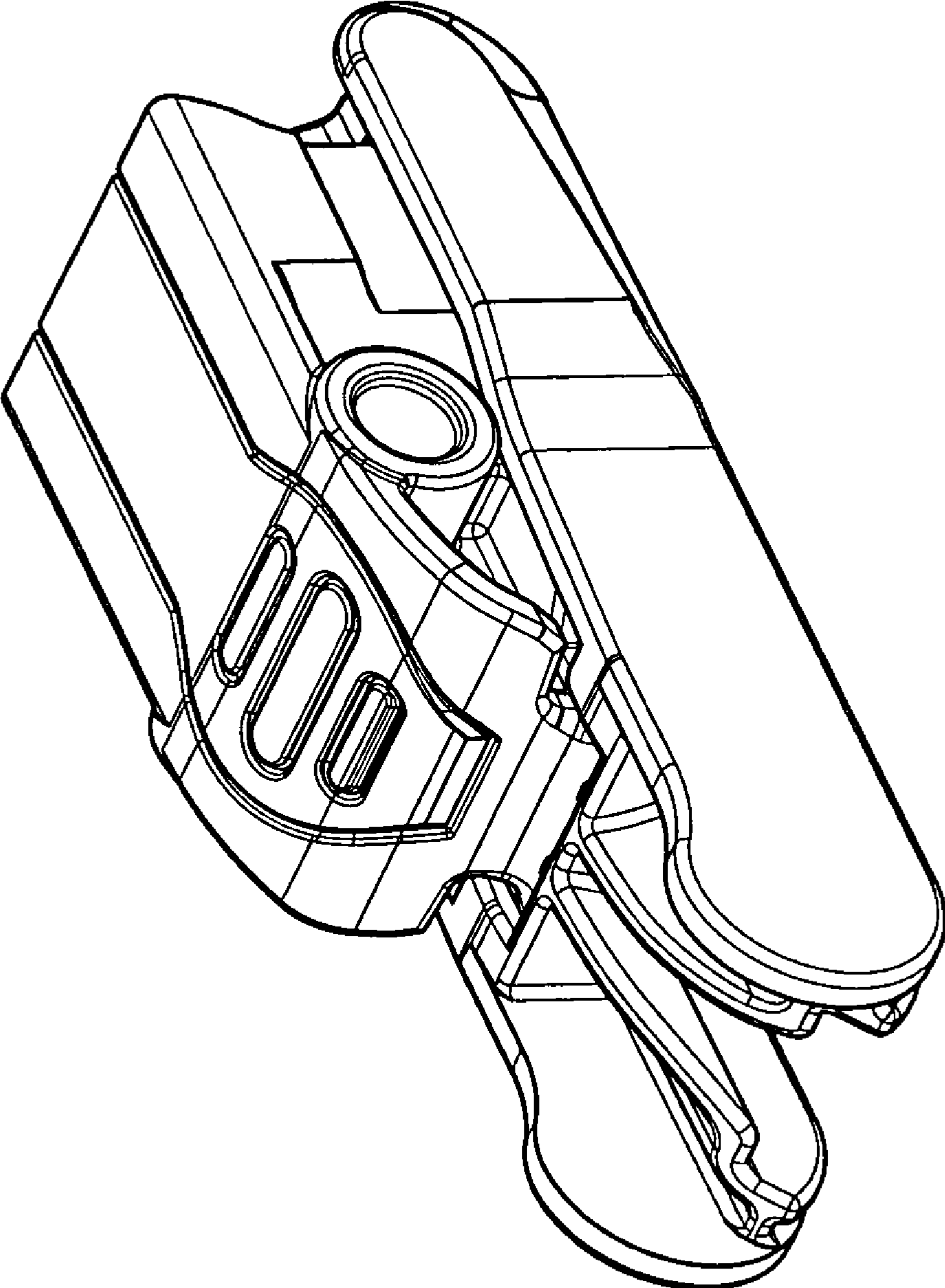


Figure 7