



US00D597469S

(12) **United States Design Patent**
Grasso et al.

(10) **Patent No.:** **US D597,469 S**
(45) **Date of Patent:** **** Aug. 4, 2009**

(54) **SUPPORT PLATE FOR A UNIVERSAL CONNECTION OF A WIPER BLADE**

(76) Inventors: **Giuseppe Grasso**, 11, allée des Coquelicots, 63340 Le Breuil sur Couze (FR); **Philippe Espinasse**, 27, lotissement les Vergers, 63114 Coudes (FR); **Jean-Francois Rousseau**, 25, rue Montagnat, 63340 Charbonniere les Mines (FR); **Xavier Bousset**, 5, avenue Leon Blum, 63000 Clermont Ferrand (FR)

(**) Term: **14 Years**

(21) Appl. No.: **29/308,058**

(22) Filed: **May 23, 2008**

(30) **Foreign Application Priority Data**

Nov. 26, 2007 (EM) 000832084-0001

(51) **LOC (9) Cl.** **12-16**

(52) **U.S. Cl.** **D12/220**

(58) **Field of Classification Search** D12/219-220;
15/246, 247, 250.001, 250.04, 250.361, 250.19,
15/250.48, 250.03, 250.31-250.33, 250.351,
15/250.38, 250.201, 250.451, 250.458, 250.07,
15/250.44

See application file for complete search history.

(56) **References Cited**

U.S. PATENT DOCUMENTS

D152,888 S * 3/1949 Krohm D12/220

4,788,736 A * 12/1988 Arai et al. 15/250.46
6,609,264 B2 * 8/2003 Ruhl et al. 8/158
D556,118 S * 11/2007 Claes D12/220
D564,434 S * 3/2008 Claes D12/220
2004/0123414 A1 * 7/2004 Lee 15/250.32
2008/0086830 A1 * 4/2008 Kim 15/250.32
2008/0222830 A1 * 9/2008 Chiang 15/250.32
2008/0313841 A1 * 12/2008 De Block et al. 15/250.32

* cited by examiner

Primary Examiner—Caron Veynar

Assistant Examiner—Katrina A Kile

(74) *Attorney, Agent, or Firm*—Sofer & Haroun, LLP

(57) **CLAIM**

We claim the ornamental design for a support plate for a universal connection of a wiper blade, as shown and described.

DESCRIPTION

FIG. 1 is a bottom view of a support plate for a universal connection of a wiper blade showing our new design;

FIG. 2 shows the support plate of FIG. 1 in a right side view;

FIG. 3 shows the support plate of FIG. 1 in a top view;

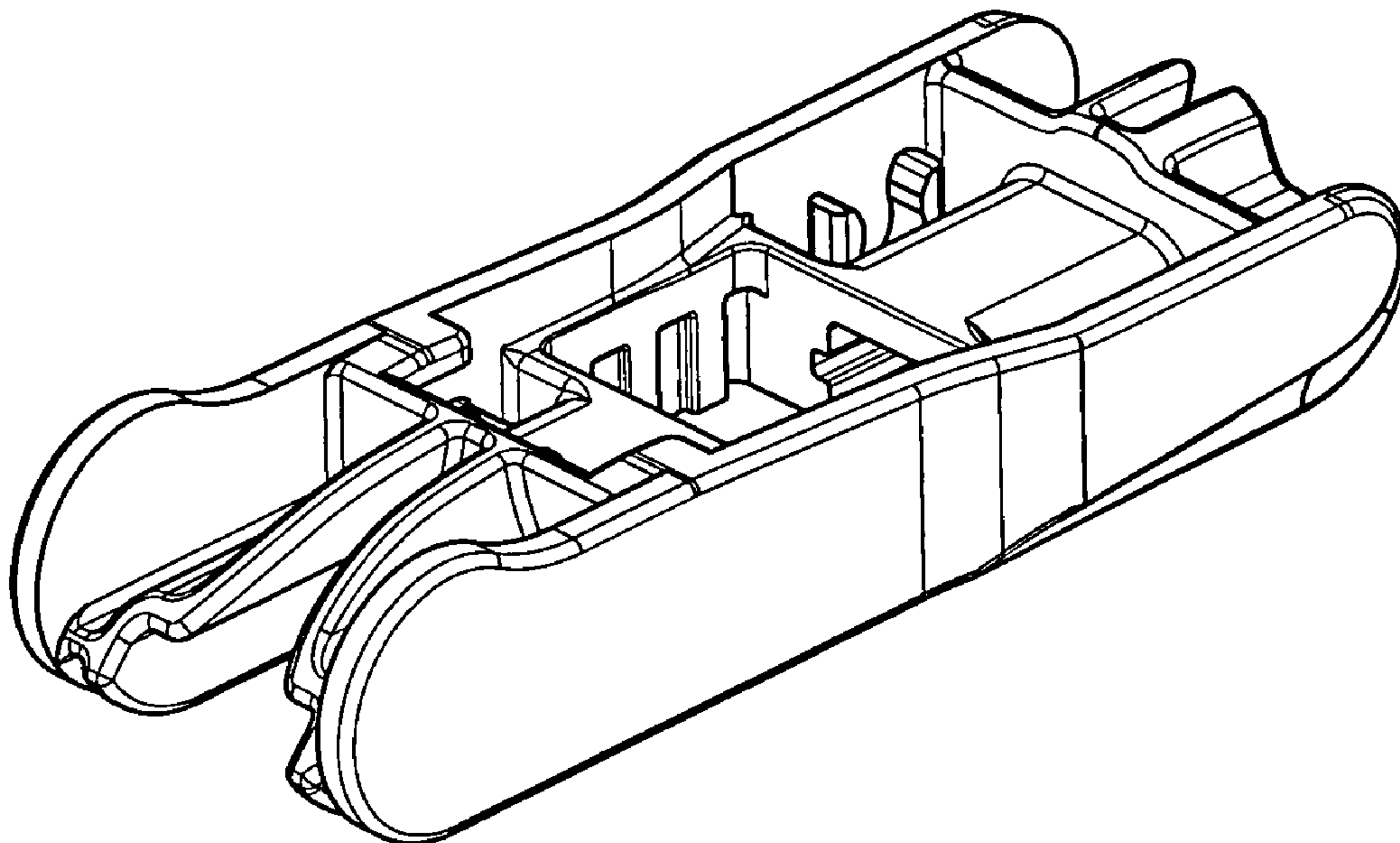
FIG. 4 shows the support plate of FIG. 1 in a left side view;

FIG. 5 shows the support plate of FIG. 1 in a rear view;

FIG. 6 shows the support plate of FIG. 1 in a front view; and,

FIG. 7 shows the support plate of FIG. 1 in a left side perspective view.

1 Claim, 2 Drawing Sheets



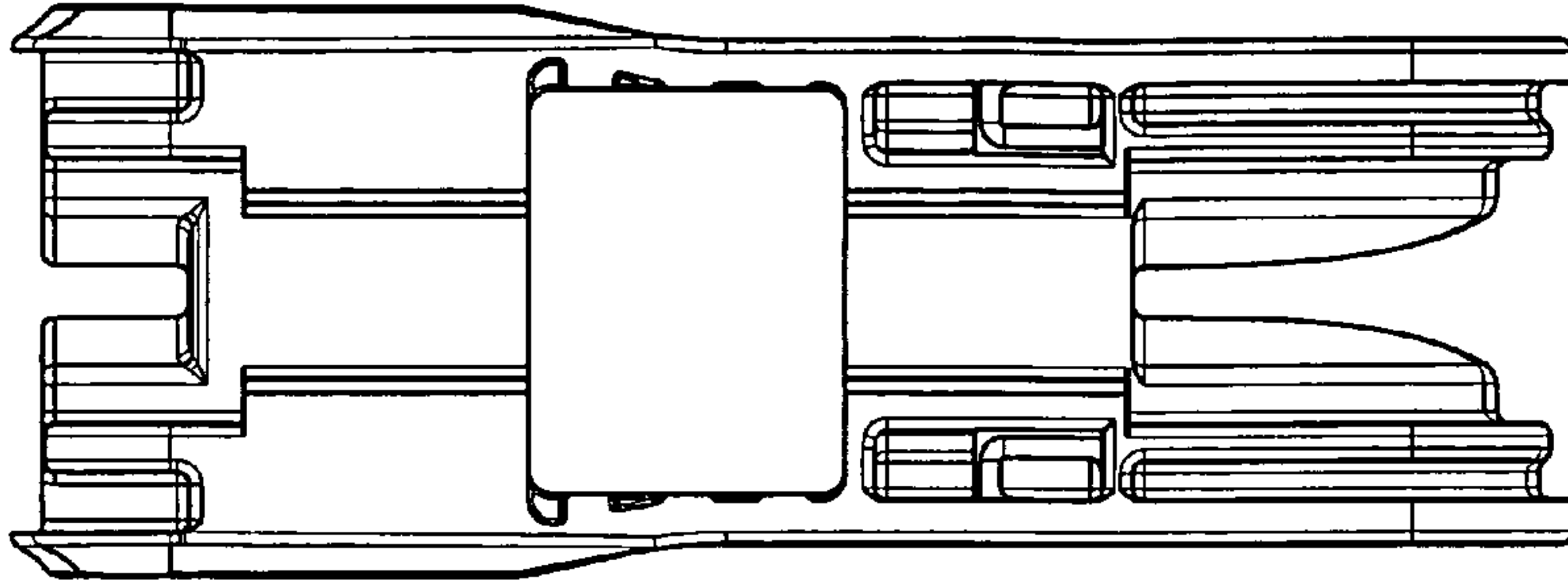


Figure 1

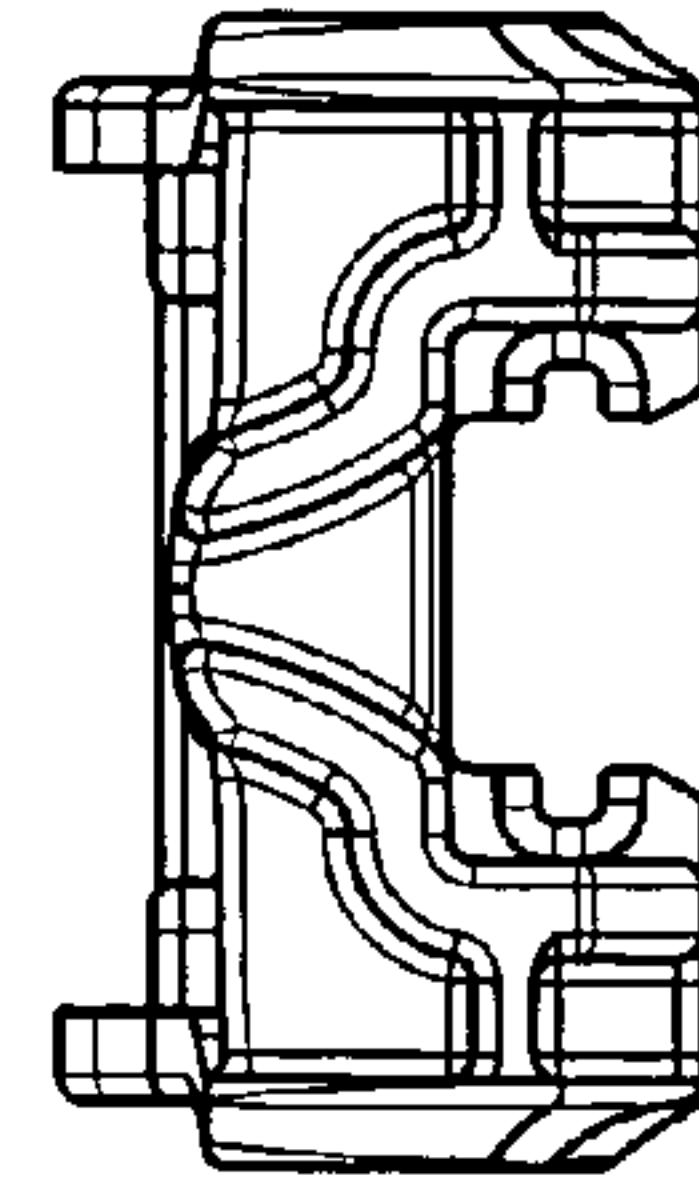


Figure 5

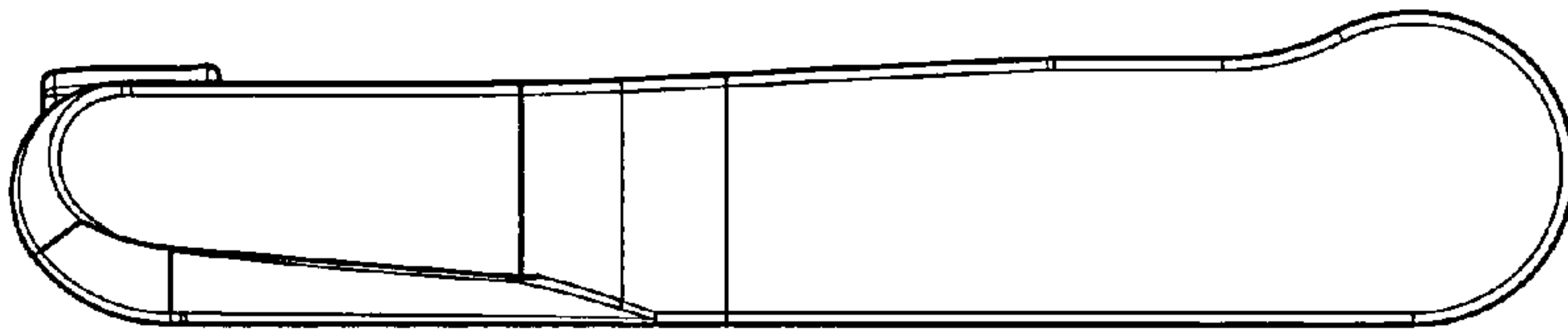


Figure 2

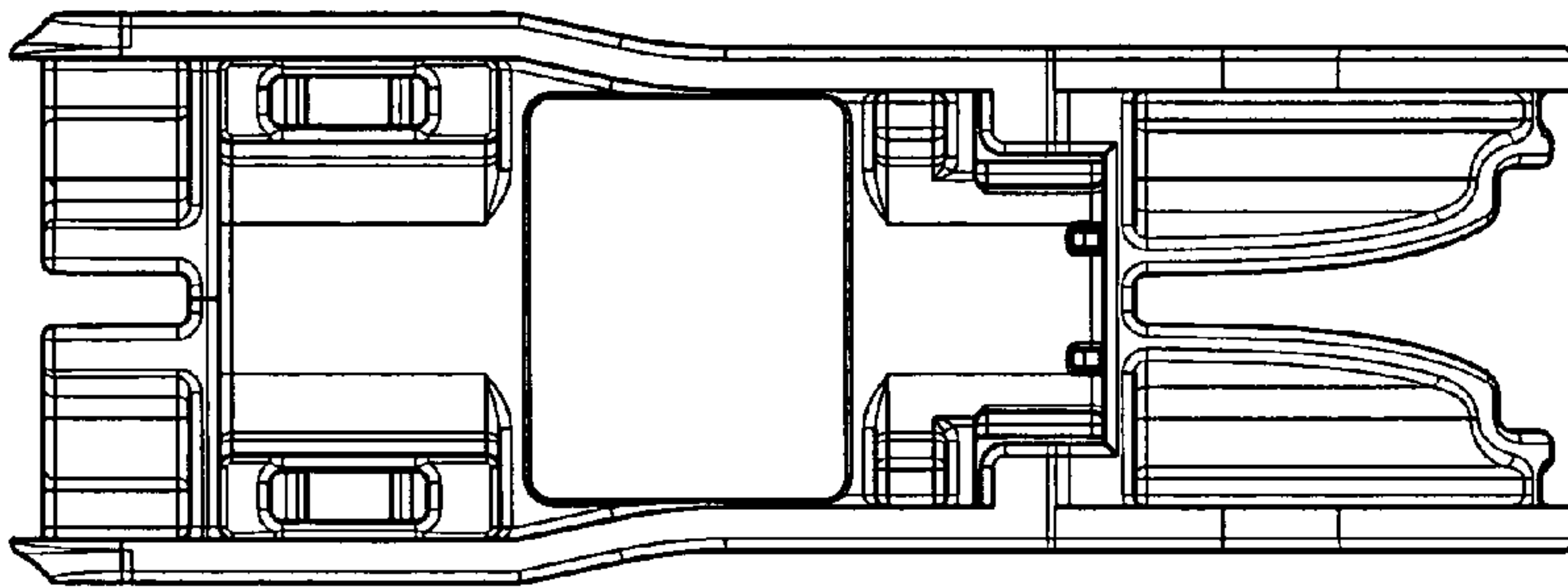


Figure 3

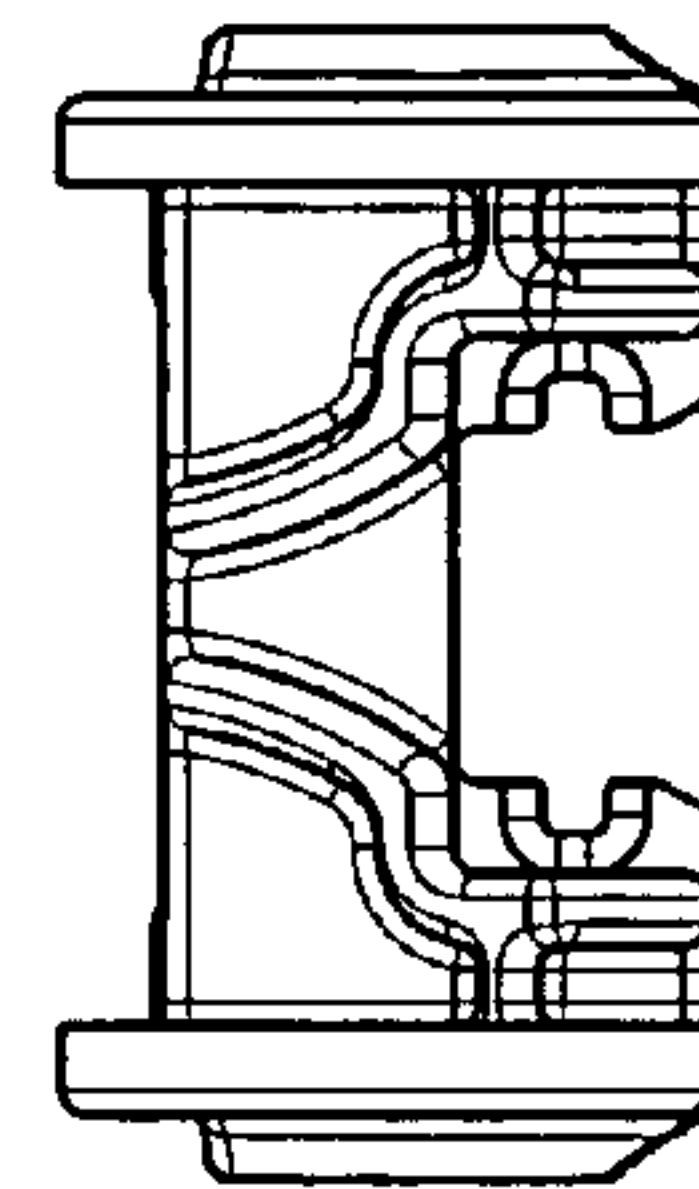


Figure 6

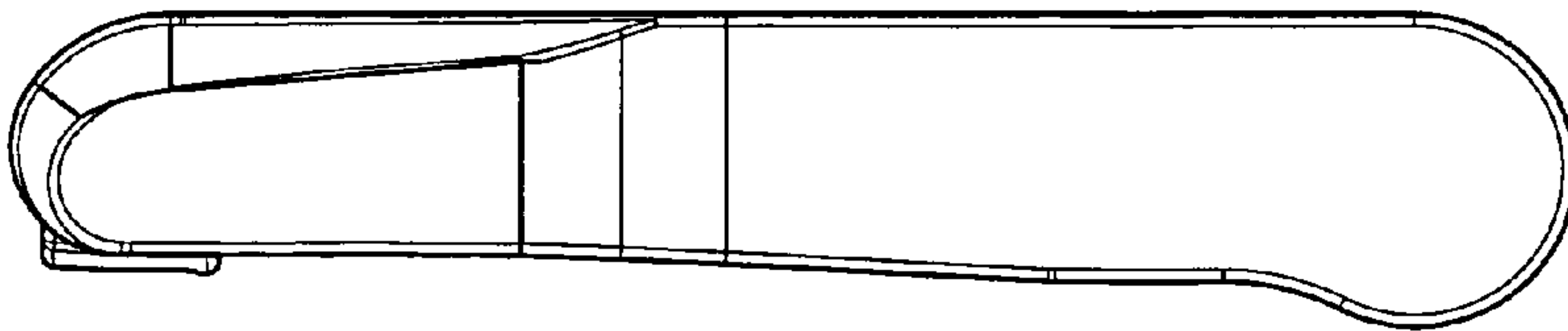


Figure 4

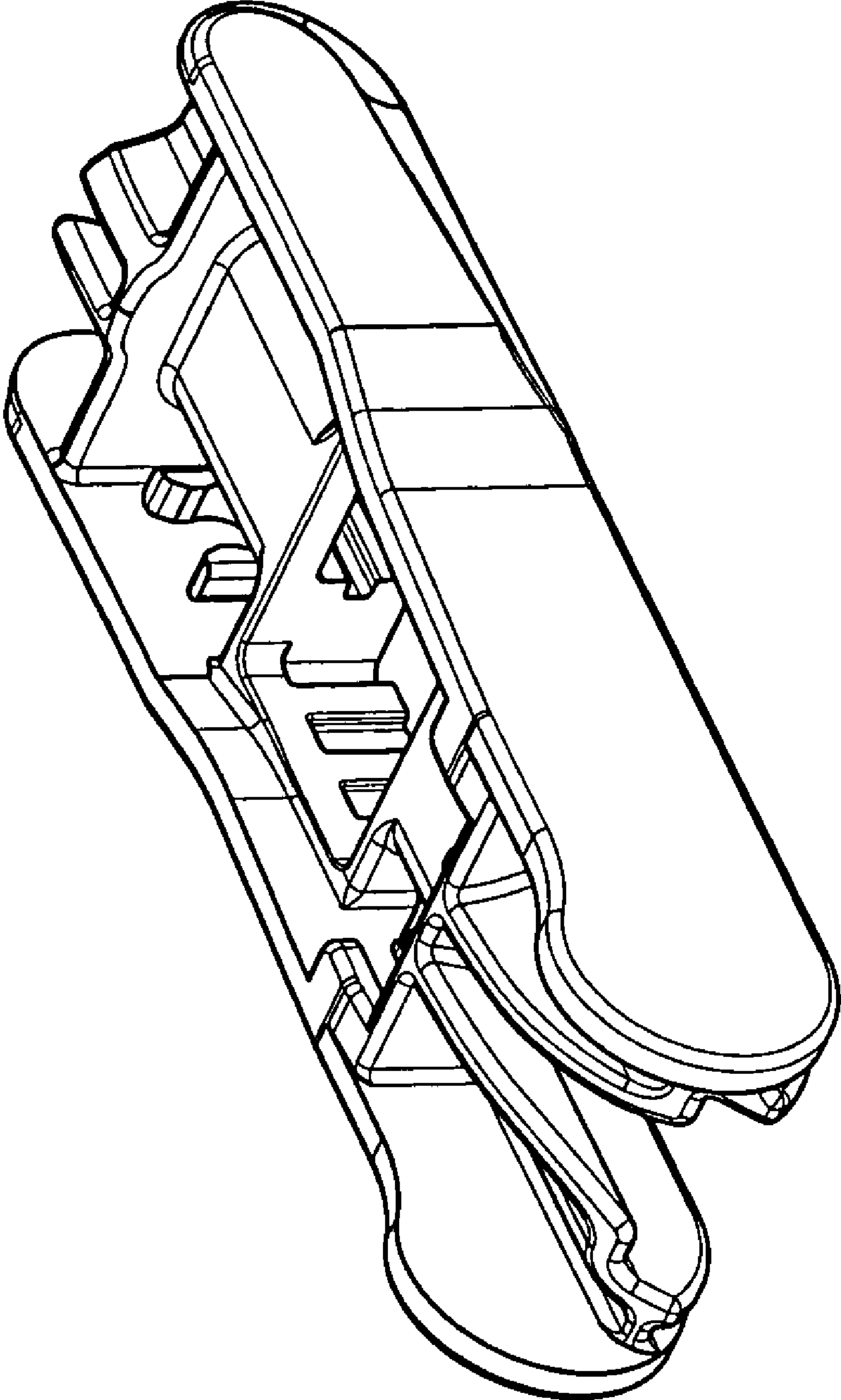


Figure 7