



US00D597466S

(12) **United States Design Patent**
Grasso et al.

(10) **Patent No.:** **US D597,466 S**
(45) **Date of Patent:** **** Aug. 4, 2009**

(54) **SUPPORT PLATE AND CONNECTOR FOR A HOOK ARM, FOR A UNIVERSAL CONNECTION OF A WIPER BLADE**

(76) Inventors: **Giuseppe Grasso**, 11, allees des Coquelicots, 63340 Le Breuil sur Couze (FR); **Philippe Espinasse**, 27, lotissement les Vergers, 63114 Coudes (FR); **Jean-Francois Rousseau**, 25, rue Montagnat, 63340 Charbonniere les Mines (FR); **Xavier Bousset**, 5, avenue Leon Blum, 63000 Clermont Ferrand (FR)

(**) Term: **14 Years**

(21) Appl. No.: **29/308,055**

(22) Filed: **May 23, 2008**

(30) **Foreign Application Priority Data**

Feb. 6, 2008 (EM) 000873708-0002

(51) **LOC (9) Cl.** **12-16**

(52) **U.S. Cl.** **D12/220**

(58) **Field of Classification Search** D12/219-220; 15/246, 247, 250.001, 250.04, 250.361, 250.19, 15/250.48, 250.03, 250.31-250.33, 250.351, 15/250.38, 250.201, 250.451, 250.458, 250.07, 15/250.44

See application file for complete search history.

(56) **References Cited**

U.S. PATENT DOCUMENTS

4,788,736 A * 12/1988 Arai et al. 15/250.32

D478,308 S * 8/2003 Lee D12/220
D556,115 S * 11/2007 Kim D12/219
D556,117 S * 11/2007 Kim D12/219
D556,118 S * 11/2007 Claes D12/220
D564,434 S * 3/2008 Claes D12/220
7,434,291 B2 * 10/2008 Chiang 15/250.32
D586,717 S * 2/2009 Depondt D12/220
2008/0016643 A1 * 1/2008 Braun et al. 15/250.361
2008/0222830 A1 * 9/2008 Chiang 15/250.32

* cited by examiner

Primary Examiner—Caron Veynar

Assistant Examiner—Katrina A Kile

(74) *Attorney, Agent, or Firm*—Sofer & Haroun, LLP

(57) **CLAIM**

We claim the ornamental design for a support plate and connector for a hook arm, for a universal connection of a wiper blade, as shown and described.

DESCRIPTION

FIG. 1 is a front view of a support plate and connector for an hook arm, for a universal connection of a wiper blade showing our new design;

FIG. 2 shows the connector of FIG. 1 in a bottom view;

FIG. 3 shows the connector of FIG. 1 in a right side view;

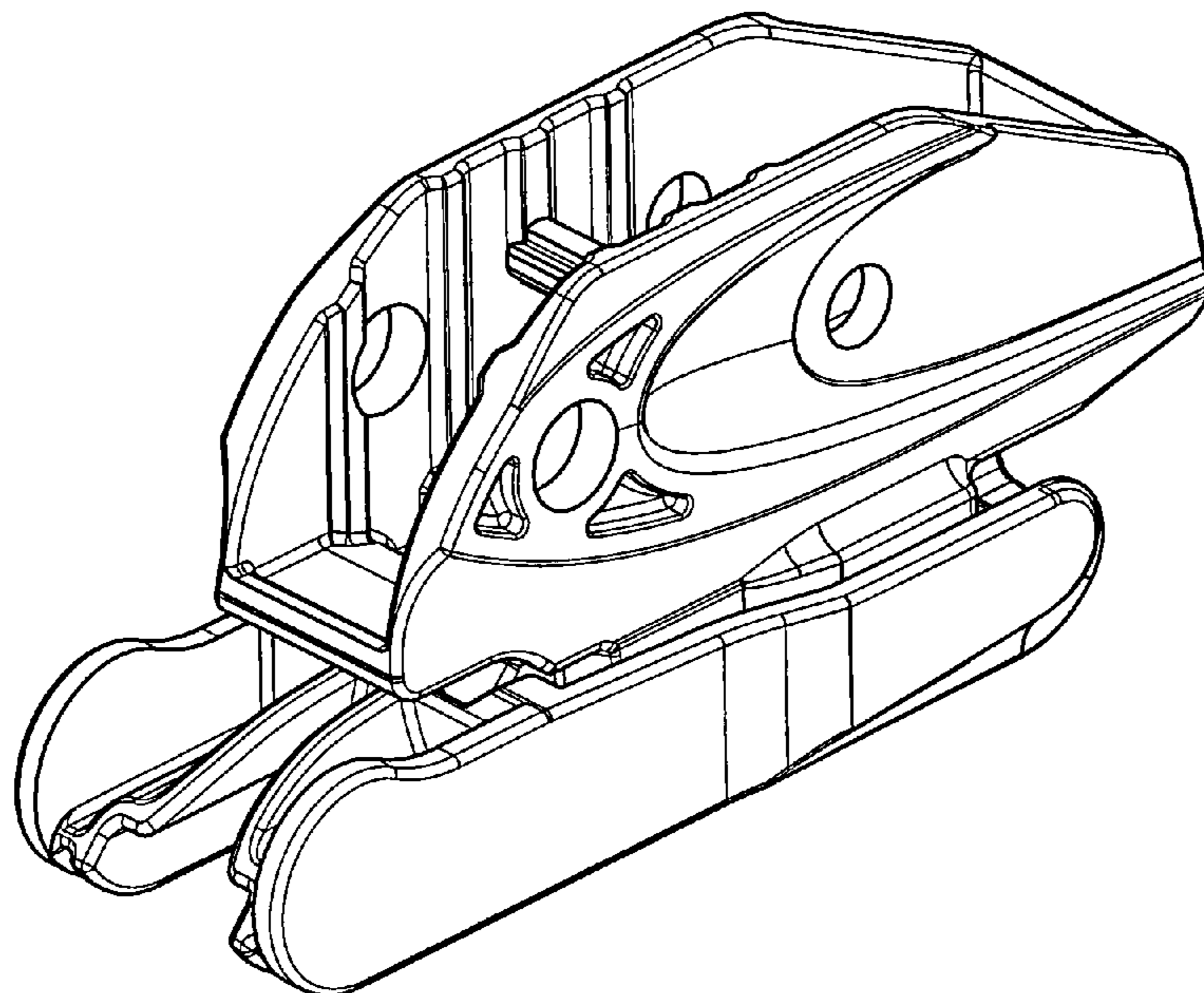
FIG. 4 shows the connector of FIG. 1 in a top view;

FIG. 5 shows the connector of FIG. 1 in a left side view;

FIG. 6 shows the connector of FIG. 1 in a rear view; and,

FIG. 7 shows the connector of FIG. 1 in a left side perspective view.

1 Claim, 2 Drawing Sheets



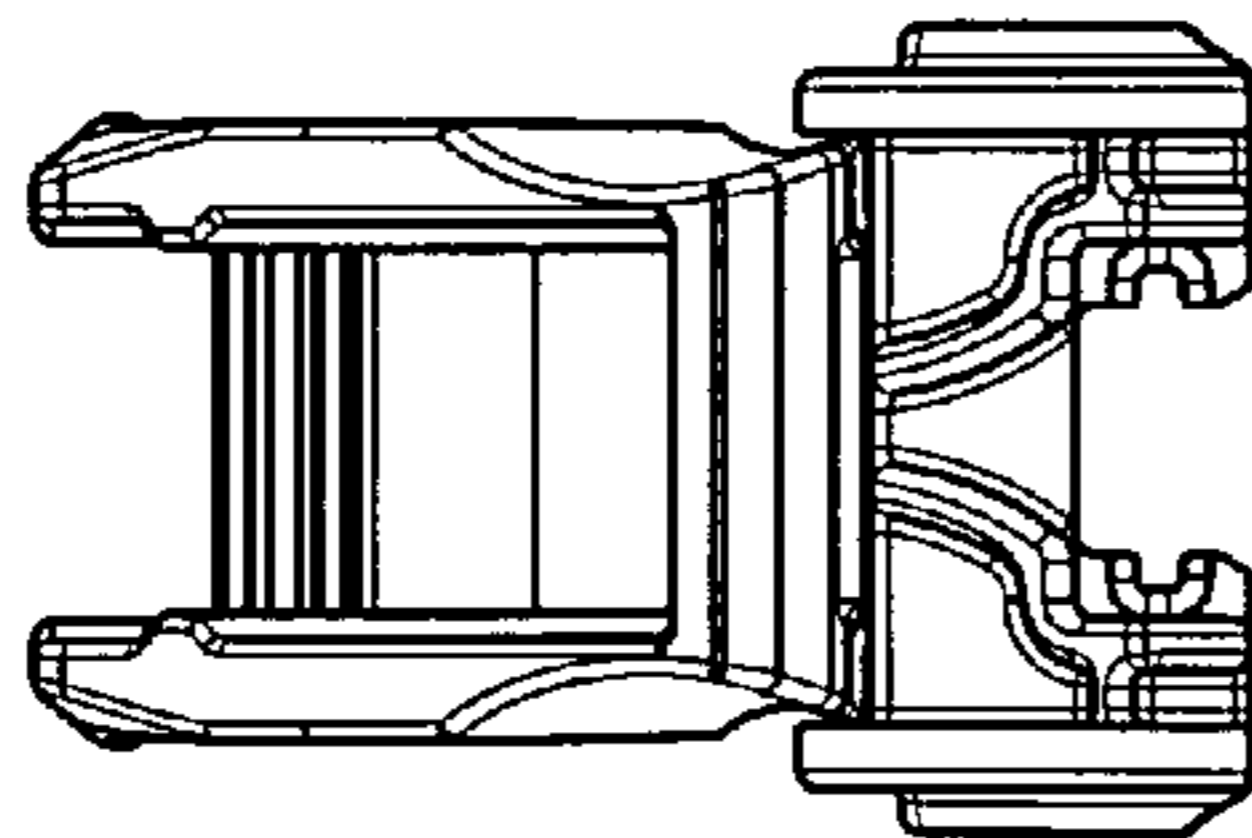


Figure 1

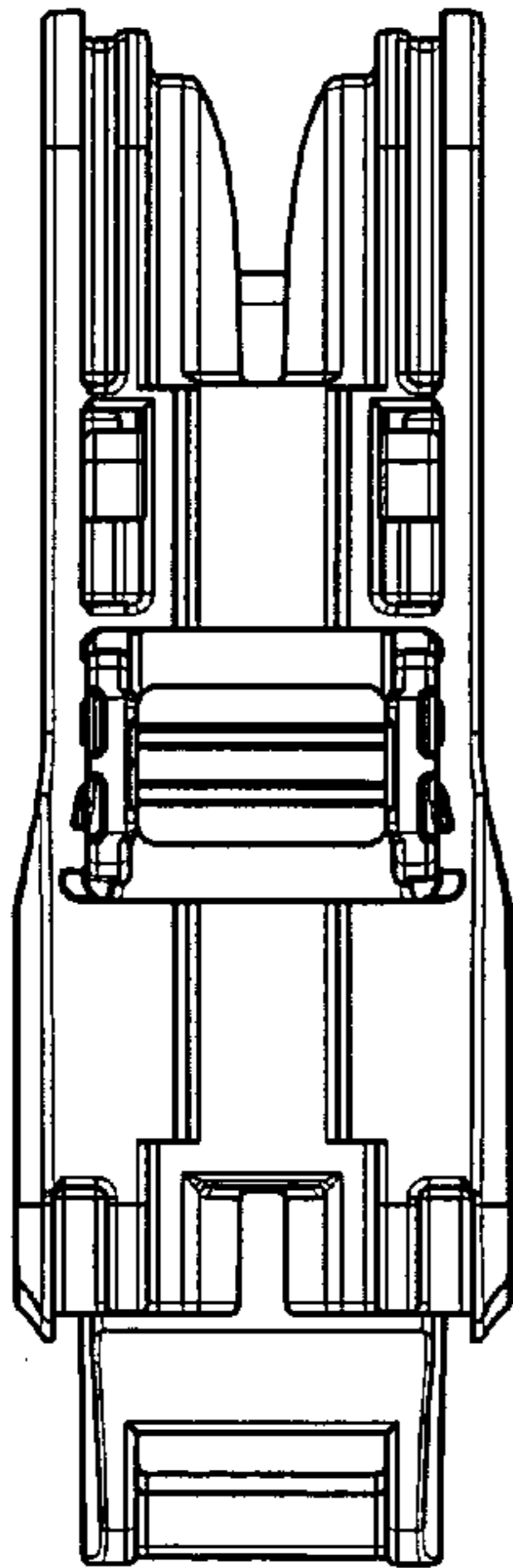


Figure 2

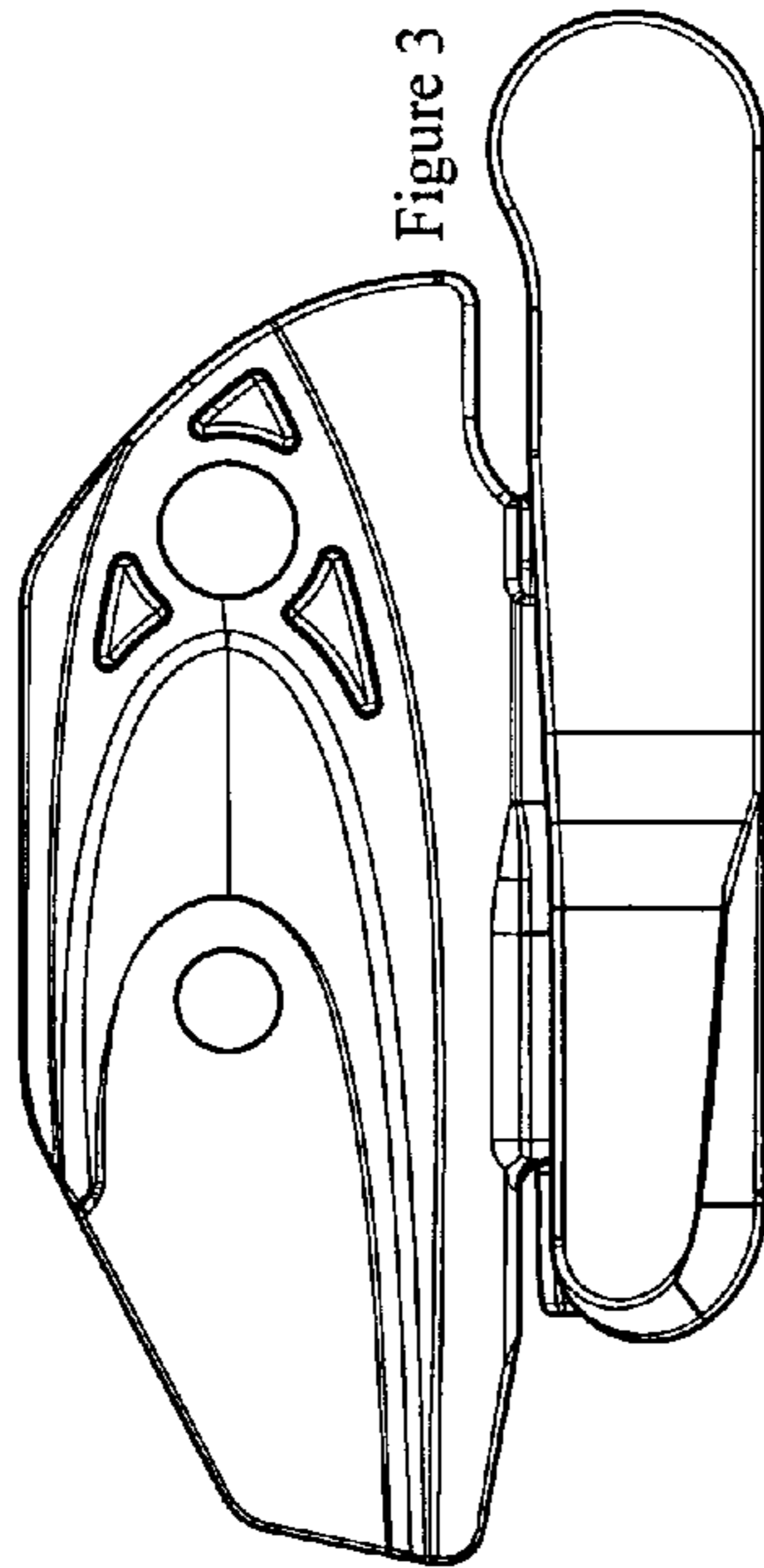


Figure 3

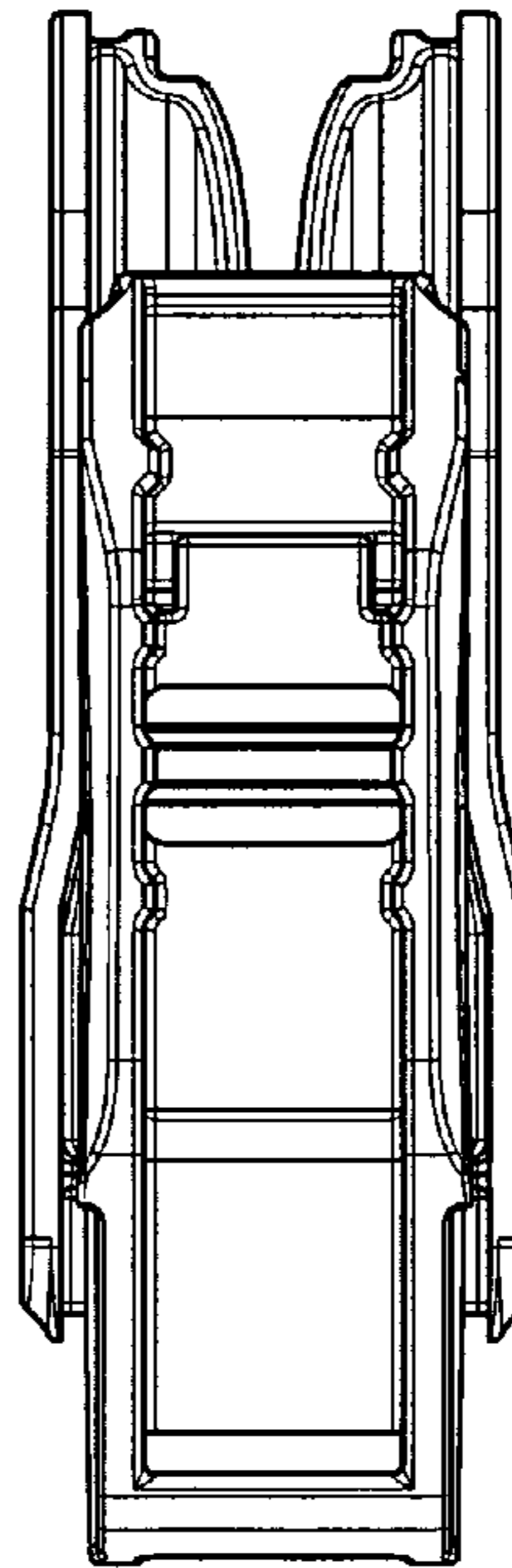


Figure 4

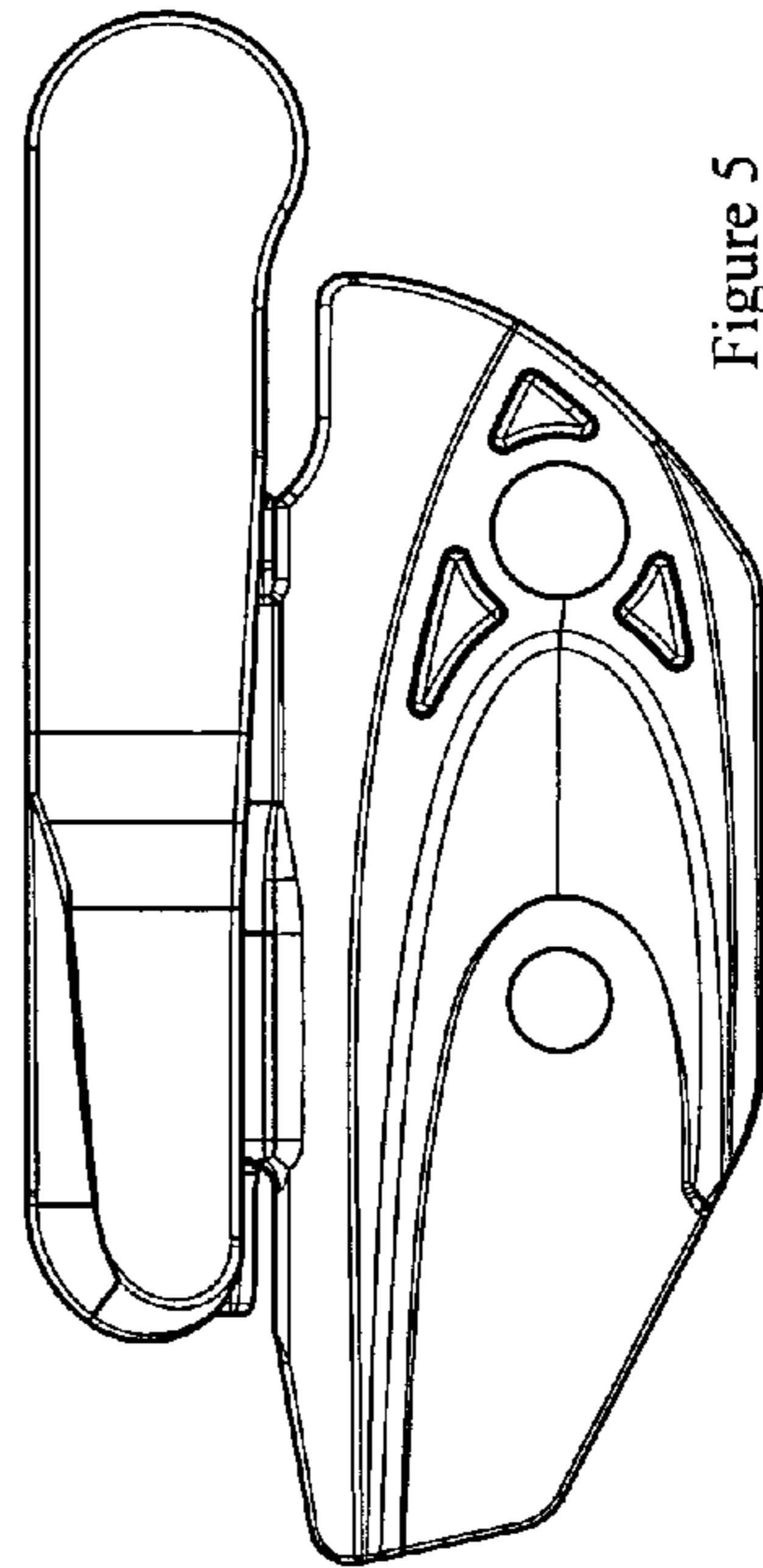


Figure 5

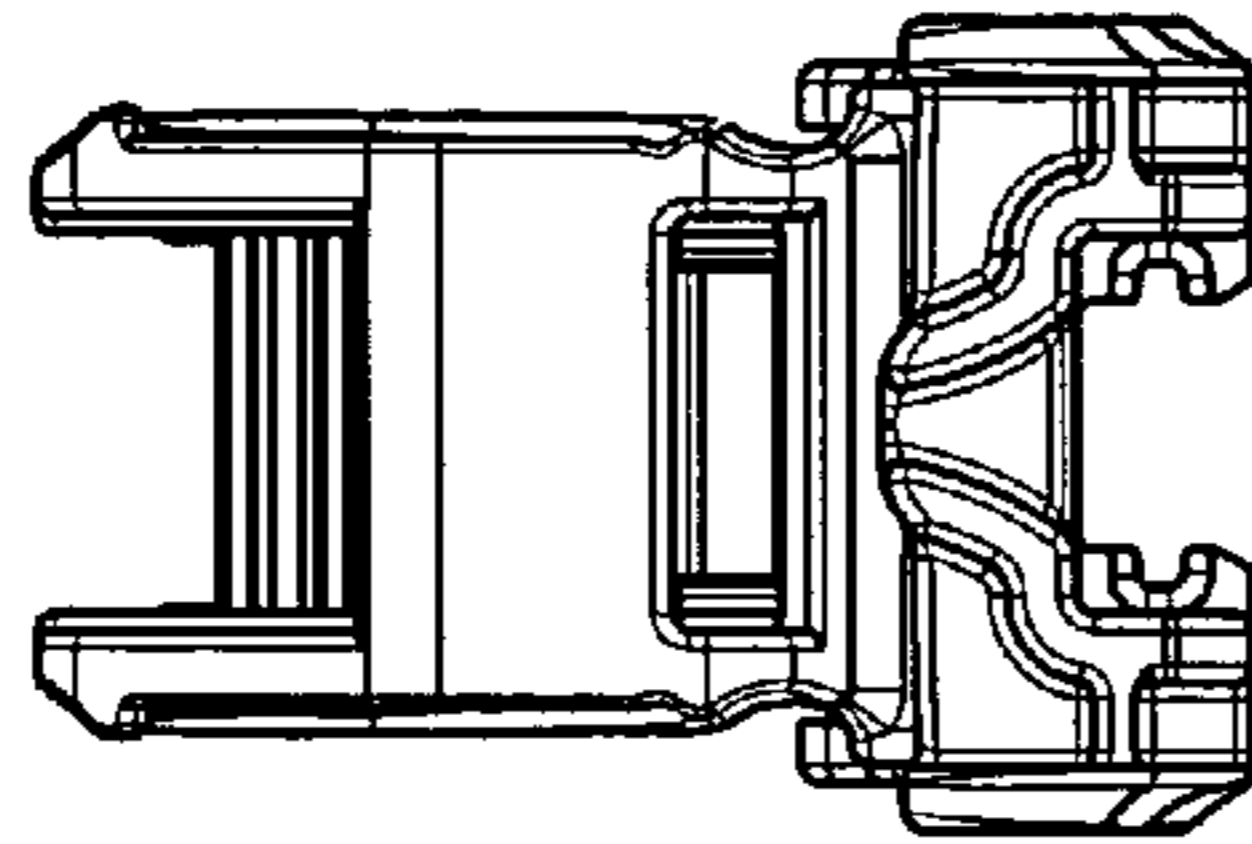


Figure 6

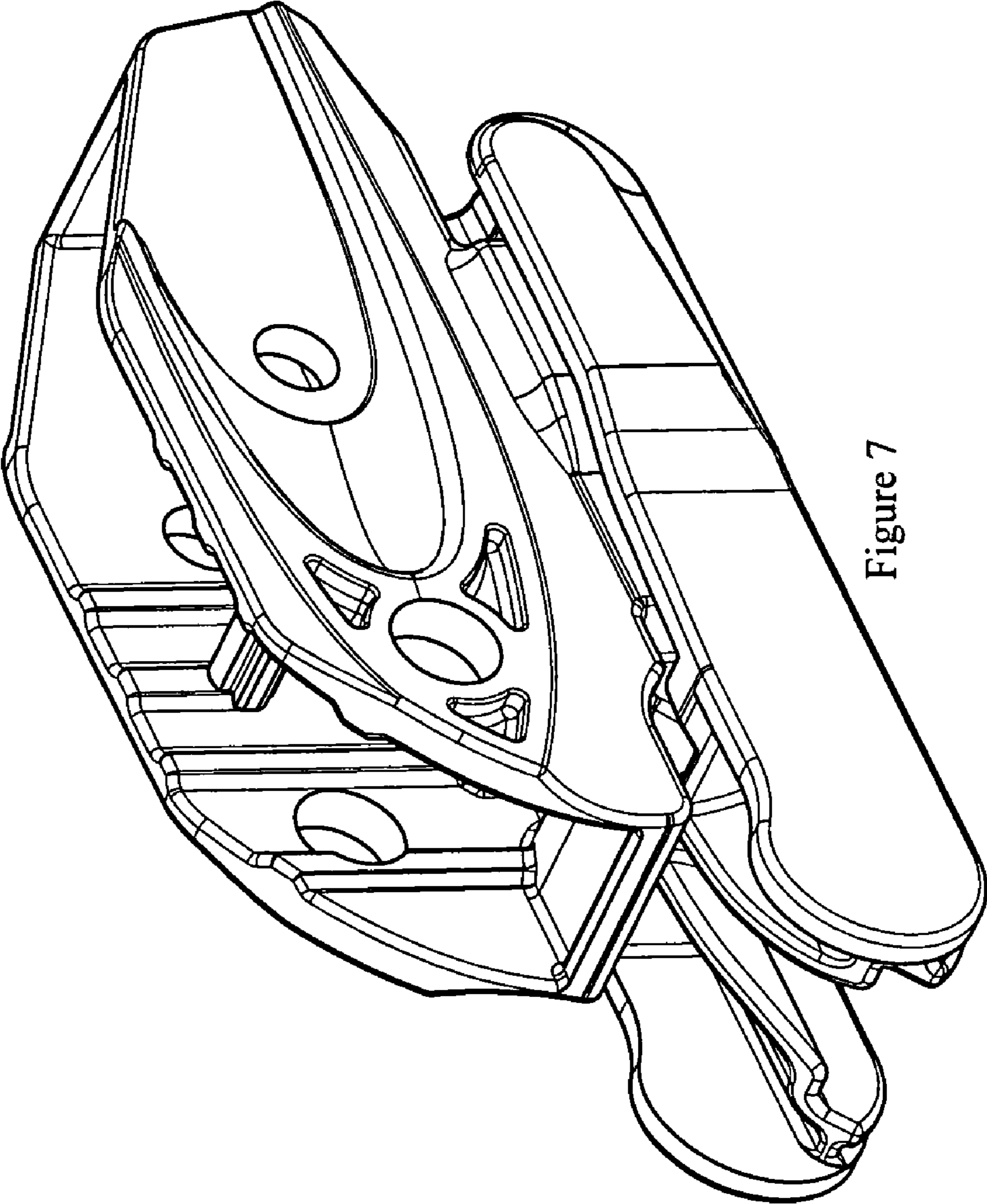


Figure 7