

US00D597464S

(12) **United States Design Patent**  
**Truebsbach**

(10) **Patent No.:** **US D597,464 S**

(45) **Date of Patent:** **\*\* Aug. 4, 2009**

(54) **FRONT FACE OF A VEHICLE WHEEL**

D500,978 S \* 1/2005 Echazabal ..... D12/209  
D502,677 S 3/2005 Baum  
D504,379 S \* 4/2005 Kern ..... D12/209  
D526,947 S \* 8/2006 Kim ..... D12/209

(75) Inventor: **Sebastian Truebsbach**, Munich (DE)

(73) Assignee: **Bayerische Motoren Werke  
Aktiengesellschaft**, Munich (DE)

\* cited by examiner

(\*\*) Term: **14 Years**

*Primary Examiner*—Elizabeth A Albert  
*Assistant Examiner*—Kelley A Donnelly  
(74) *Attorney, Agent, or Firm*—Crowell & Moring LLP

(21) Appl. No.: **29/300,128**

(22) Filed: **Feb. 22, 2008**

(57) **CLAIM**

(30) **Foreign Application Priority Data**

The ornamental design for a front face of a vehicle wheel, as shown and described.

Aug. 24, 2007 (DE) ..... 40704326

**DESCRIPTION**

(51) **LOC (9) Cl.** ..... **12-16**

(52) **U.S. Cl.** ..... **D12/211**

(58) **Field of Classification Search** ..... D12/204–213;  
301/37.101, 64.101, 65

This application is related to co-pending U.S. application Ser. No. 29/287,332, filed Jul. 24, 2007, entitled “Front Face of a Vehicle Wheel.”

See application file for complete search history.

FIG. 1 is a front view of a front face of a vehicle wheel according to my design; and,

FIG. 2 is a perspective view thereof.

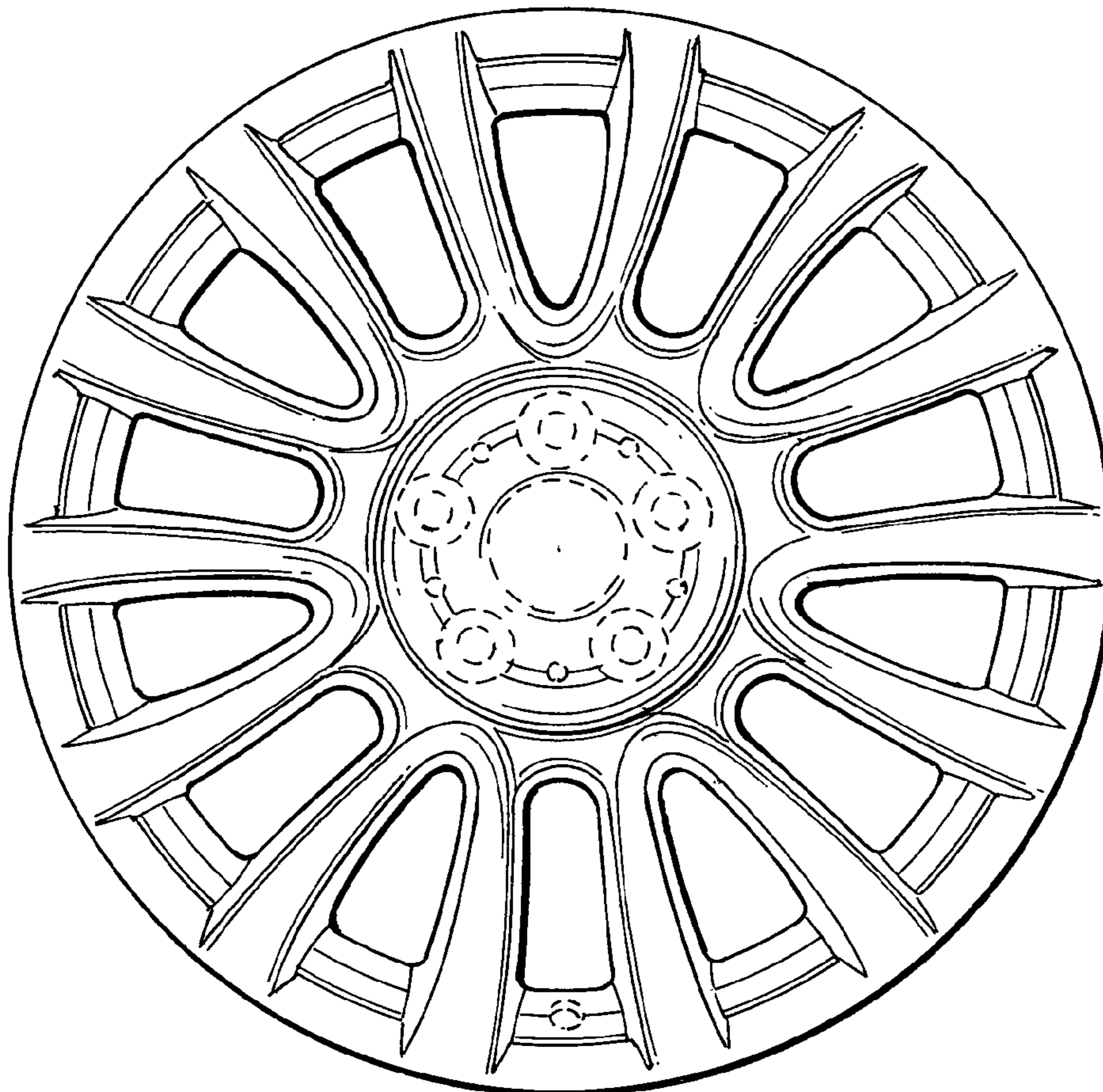
(56) **References Cited**

The broken lines in FIGS. 1 and 2 are for environmental purposes only and form no part of the claimed design.

**U.S. PATENT DOCUMENTS**

D348,243 S \* 6/1994 Echazabal et al. .... D12/211  
D419,948 S \* 2/2000 Cahyono ..... D12/211  
D432,071 S \* 10/2000 Brown ..... D12/211

**1 Claim, 1 Drawing Sheet**



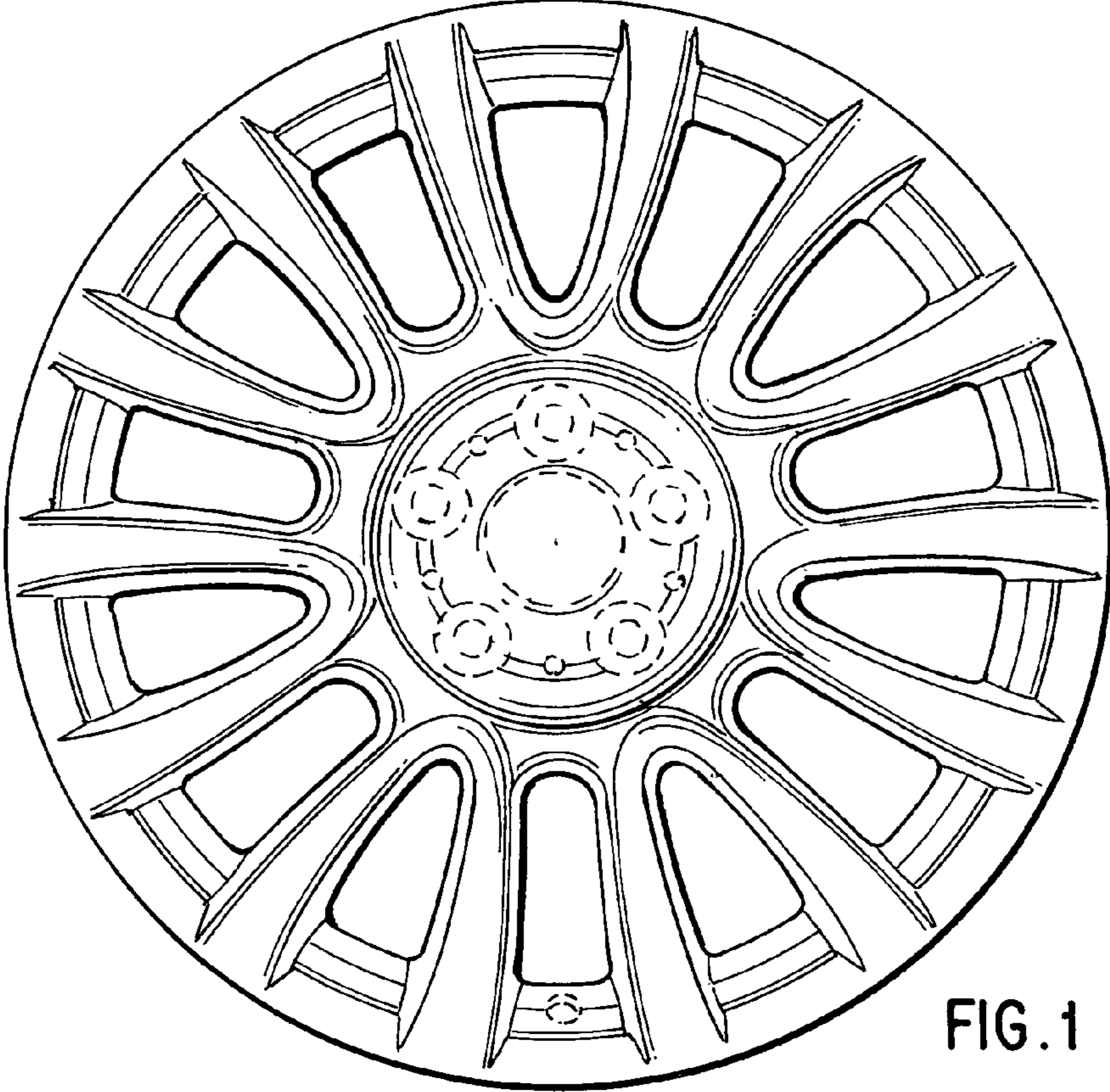


FIG. 1

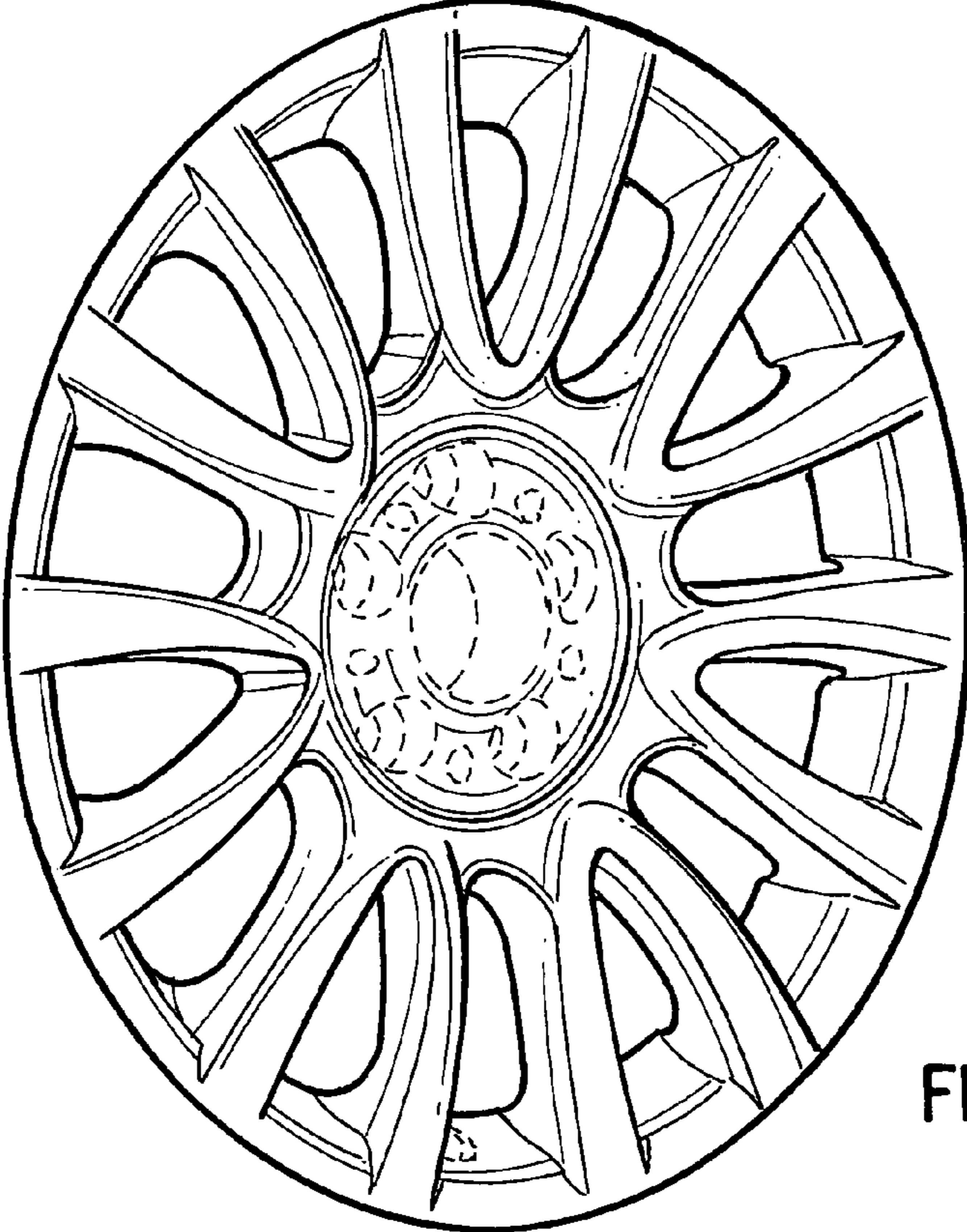


FIG. 2