



US00D597463S

(12) **United States Design Patent**
Chung

(10) **Patent No.:** **US D597,463 S**

(45) **Date of Patent:** **** Aug. 4, 2009**

(54) **AUTOMOTIVE WHEEL**

(76) **Inventor:** **Suny Chung**, 3283 Red Pine Rd., Yorba Linda, CA (US) 92886

(**) **Term:** **14 Years**

(21) **Appl. No.:** **29/307,080**

(22) **Filed:** **Mar. 31, 2008**

(51) **LOC (9) Cl.** **12-16**

(52) **U.S. Cl.** **D12/209**

(58) **Field of Classification Search** D12/204-213;
301/37.101, 64.101, 65, 64.201

See application file for complete search history.

(56) **References Cited**

U.S. PATENT DOCUMENTS

D494,523 S *	8/2004	Koenigsberg	D12/209
D505,102 S *	5/2005	Cahyono	D12/209
D515,494 S *	2/2006	Laengerer	D12/211
D515,997 S *	2/2006	Phillips	D12/209
D519,903 S *	5/2006	Ditty	D12/209

D520,437 S *	5/2006	Scheu	D12/211
D521,922 S *	5/2006	Scheu	D12/211
D527,699 S *	9/2006	Kiesel	D12/209
D530,254 S *	10/2006	Kim	D12/209
D531,562 S *	11/2006	Kim	D12/209
D563,304 S *	3/2008	Pfeiffer	D12/211

* cited by examiner

Primary Examiner—Stacia Cadmus

(57) **CLAIM**

The ornamental design for an automotive wheel, as shown and described.

DESCRIPTION

FIG. 1 is a perspective view of an automotive wheel, showing my new design; and,

FIG. 2 is a front view thereof.

The broken line showing of rear portion of the wheel rim is included for the purpose of illustrating environment and forms no part of the claimed design.

1 Claim, 2 Drawing Sheets

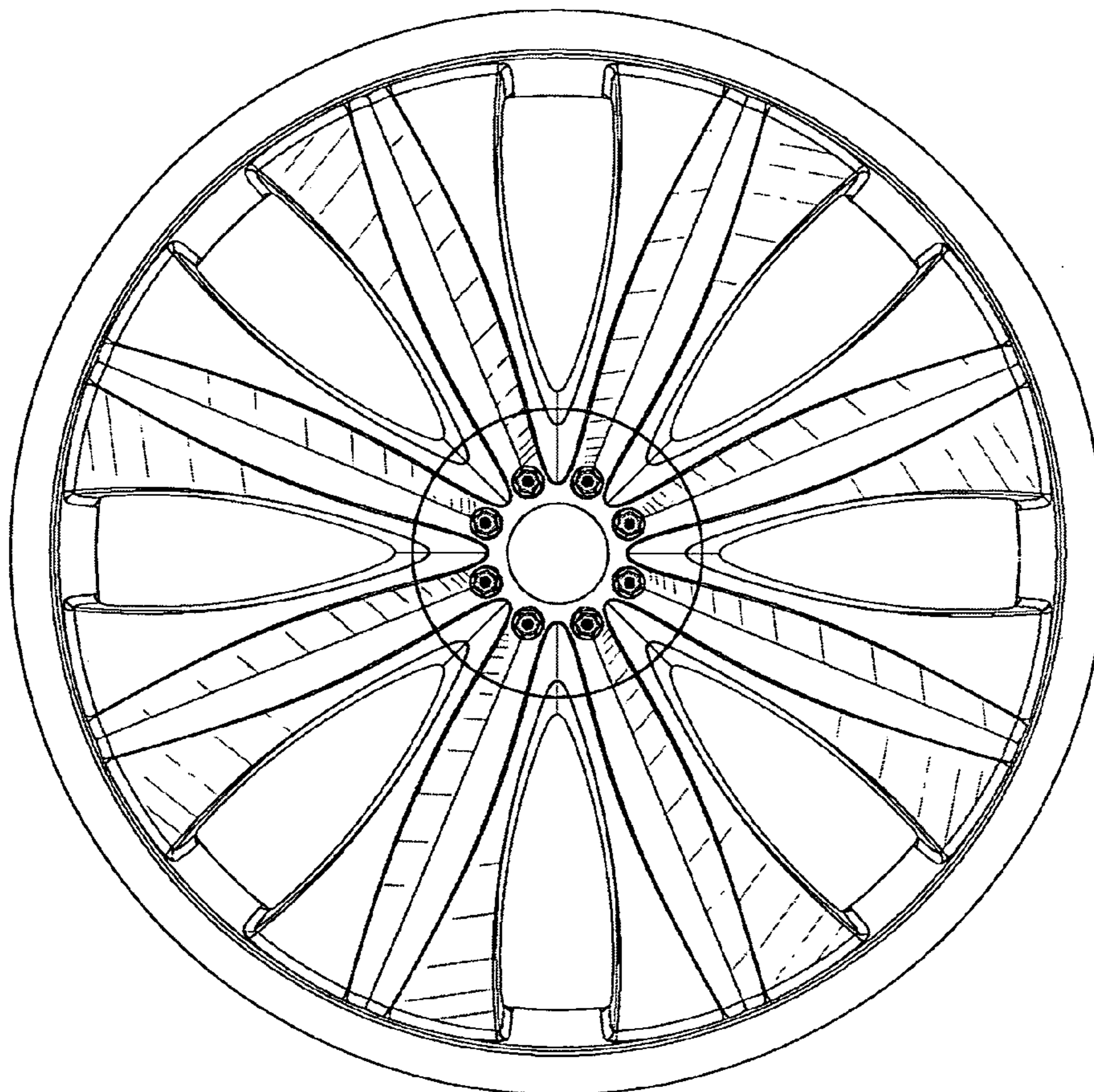


Figure 1

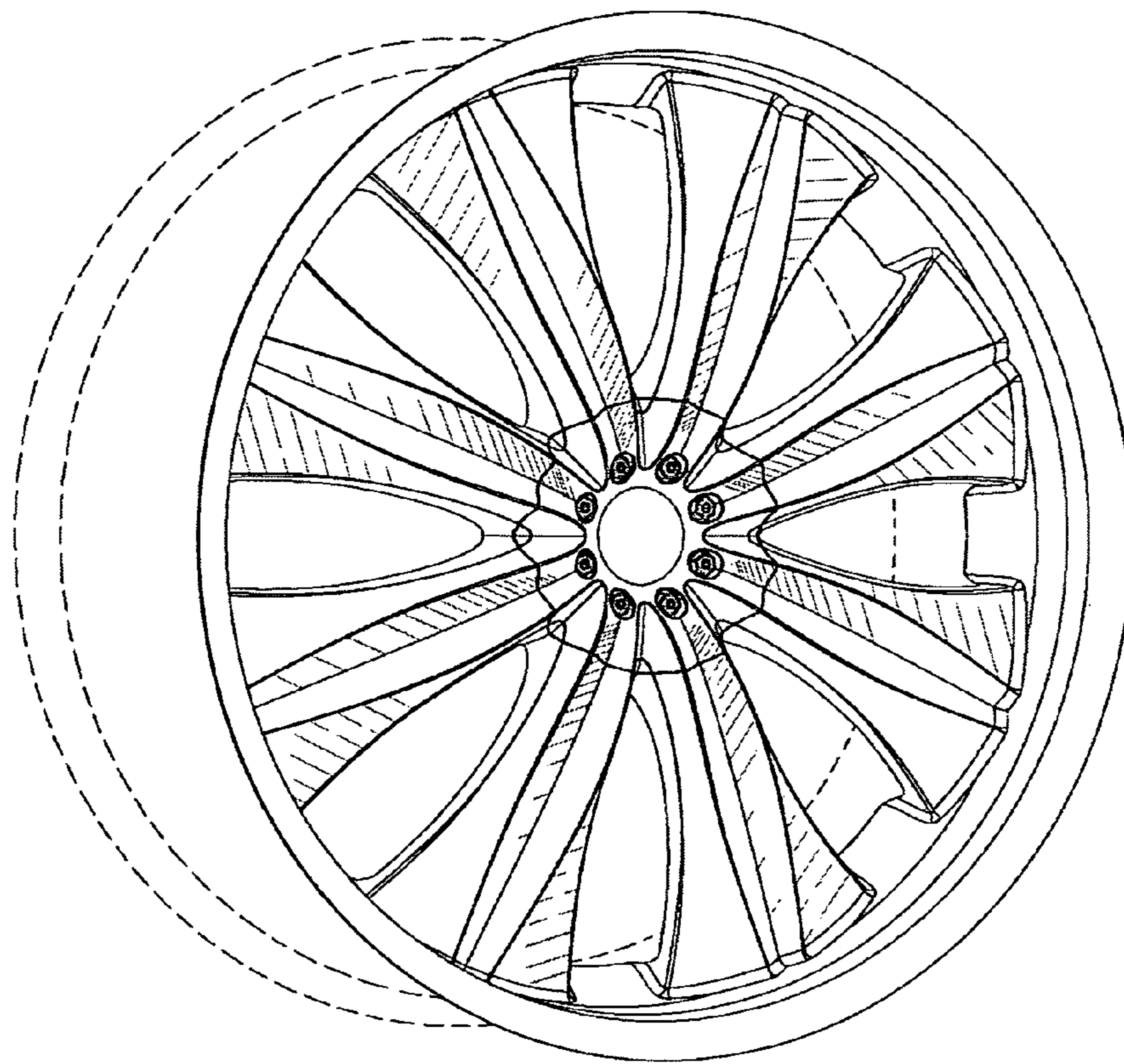


Figure 2

