



US00D597459S

(12) **United States Design Patent**  
**Wagner et al.**

(10) **Patent No.:** **US D597,459 S**

(45) **Date of Patent:** **\*\* Aug. 4, 2009**

(54) **VEHICLE FRONT FENDER**

(75) Inventors: **Lance R. Wagner**, Lake Orion, MI  
(US); **Mark C. Trostle**, Clarkston, MI  
(US); **Ryan C. Nagode**, West  
Bloomfield, MI (US)

(73) Assignee: **Chrysler LLC**, Auburn Hills, MI (US)

(\*\*) Term: **14 Years**

(21) Appl. No.: **29/323,446**

(22) Filed: **Aug. 26, 2008**

**Related U.S. Application Data**

(63) Continuation-in-part of application No. 29/302,967,  
filed on Jan. 29, 2008, now Pat. No. Des. 586,697.

(51) **LOC (9) Cl.** ..... **12-16**

(52) **U.S. Cl.** ..... **D12/184**

(58) **Field of Classification Search** ..... D12/184,  
D12/196, 90-92; 280/152.1, 847-849, 851;  
296/181.1, 181.5

See application file for complete search history.

(56) **References Cited**

**U.S. PATENT DOCUMENTS**

D447,983 S 9/2001 Stoddard et al.  
D466,051 S 11/2002 Stoddard et al.  
D466,052 S 11/2002 Stoddard et al.  
D516,956 S 3/2006 Bucci et al.  
D526,935 S 8/2006 Wagner et al.

D553,049 S 10/2007 Opfer et al.  
D561,668 S \* 2/2008 Suzuki et al. .... D12/184  
D572,182 S \* 7/2008 Deane ..... D12/184  
D576,090 S \* 9/2008 Zavatski et al. .... D12/184  
D580,326 S \* 11/2008 Gueler et al. .... D12/184  
D583,736 S \* 12/2008 Schiavone et al. .... D12/184

\* cited by examiner

*Primary Examiner*—Melody N Brown

(74) *Attorney, Agent, or Firm*—Ralph E. Smith

(57) **CLAIM**

The ornamental design for a vehicle front fender, as shown  
and described.

**DESCRIPTION**

FIG. 1 is a front perspective view of a vehicle front fender  
showing our new design;

FIG. 2 is a rear perspective view thereof;

FIG. 3 is a side view thereof, the opposite side being a mirror  
image thereof;

FIG. 4 is a rear view thereof;

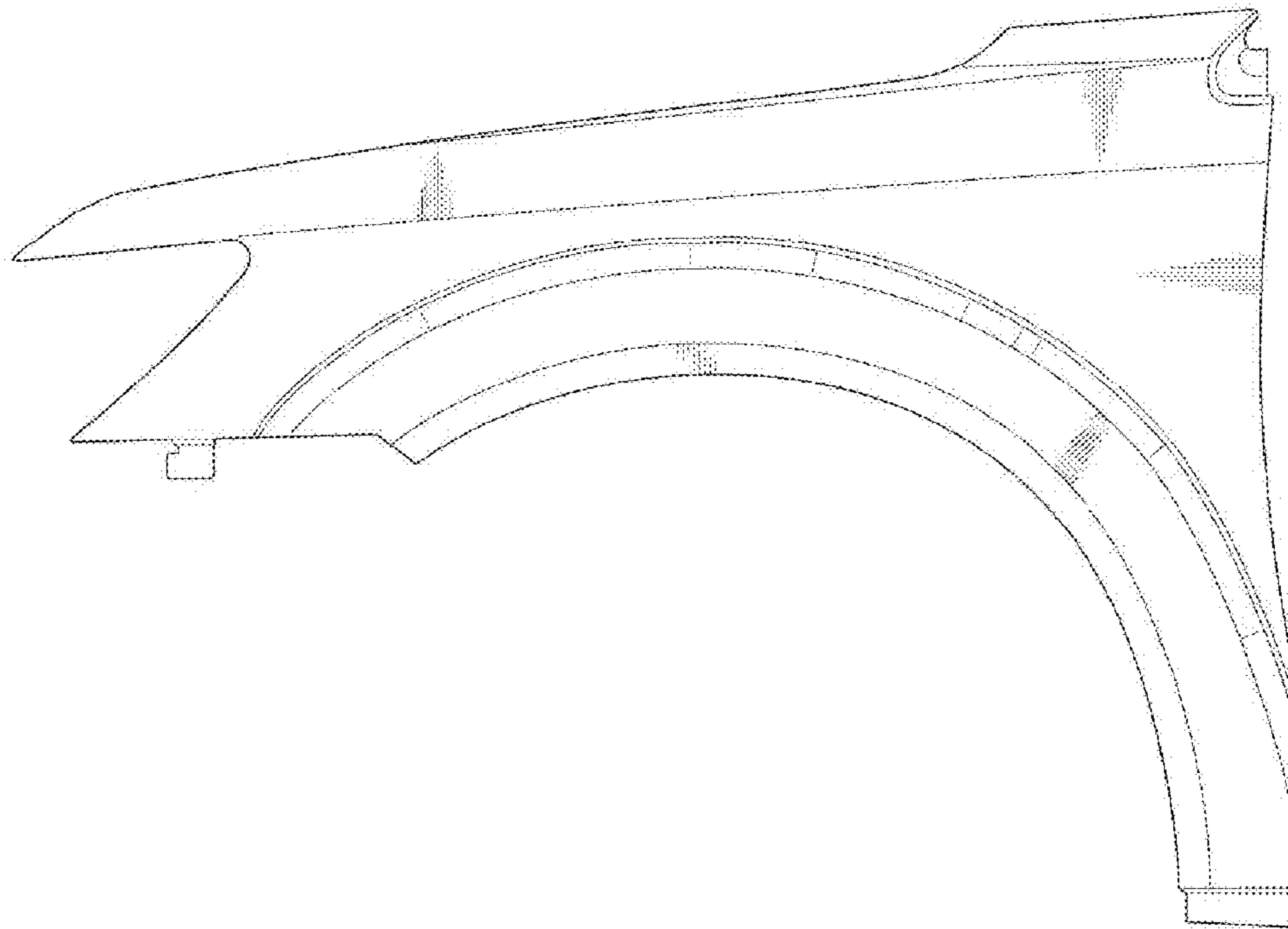
FIG. 5 is a front view thereof;

FIG. 6 is a top view thereof; and,

FIG. 7 is a bottom view thereof.

It will be understood that the broken lines presented in the  
drawings are for illustration only, and do not form a part of the  
claimed design.

**1 Claim, 5 Drawing Sheets**



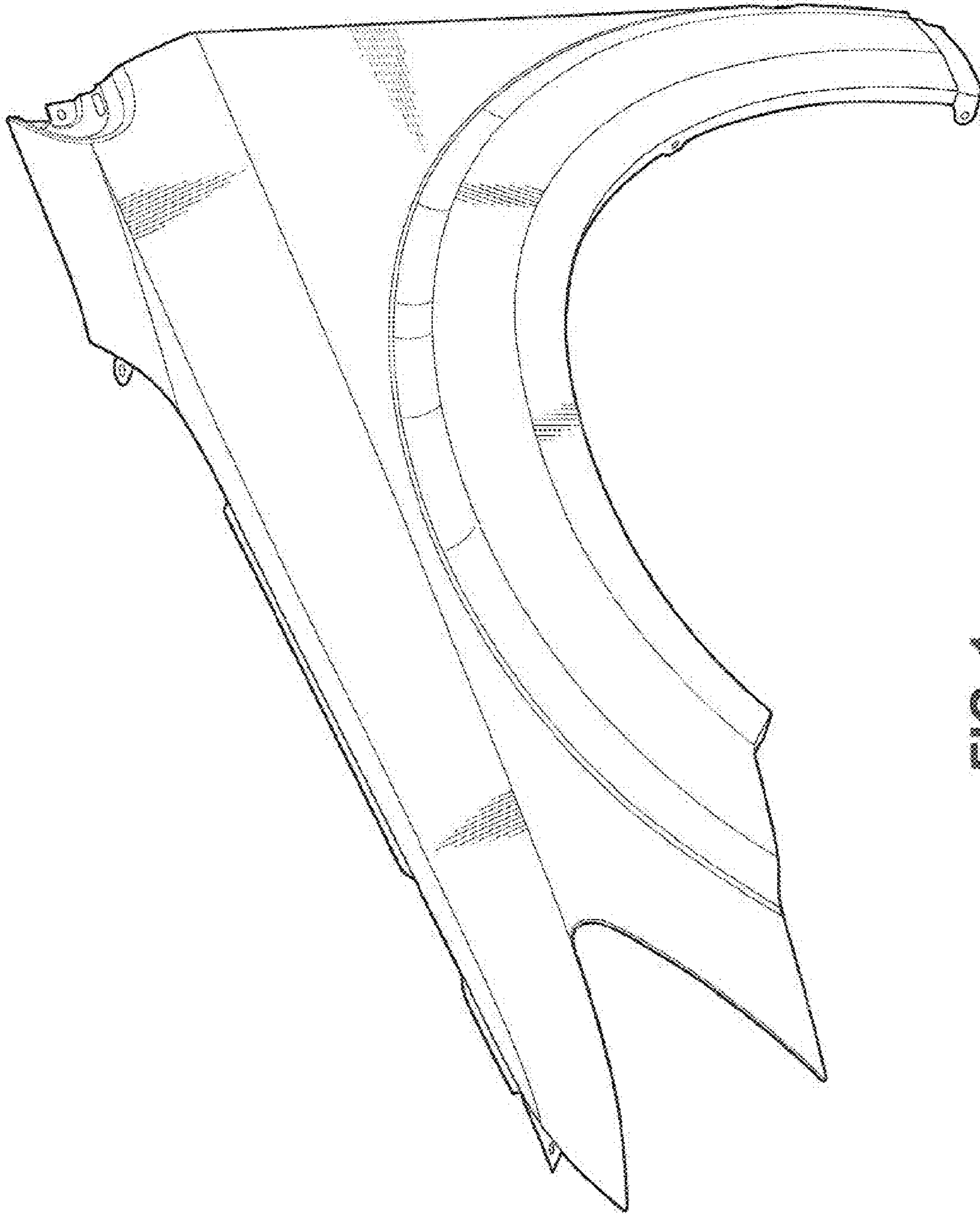


FIG. 1

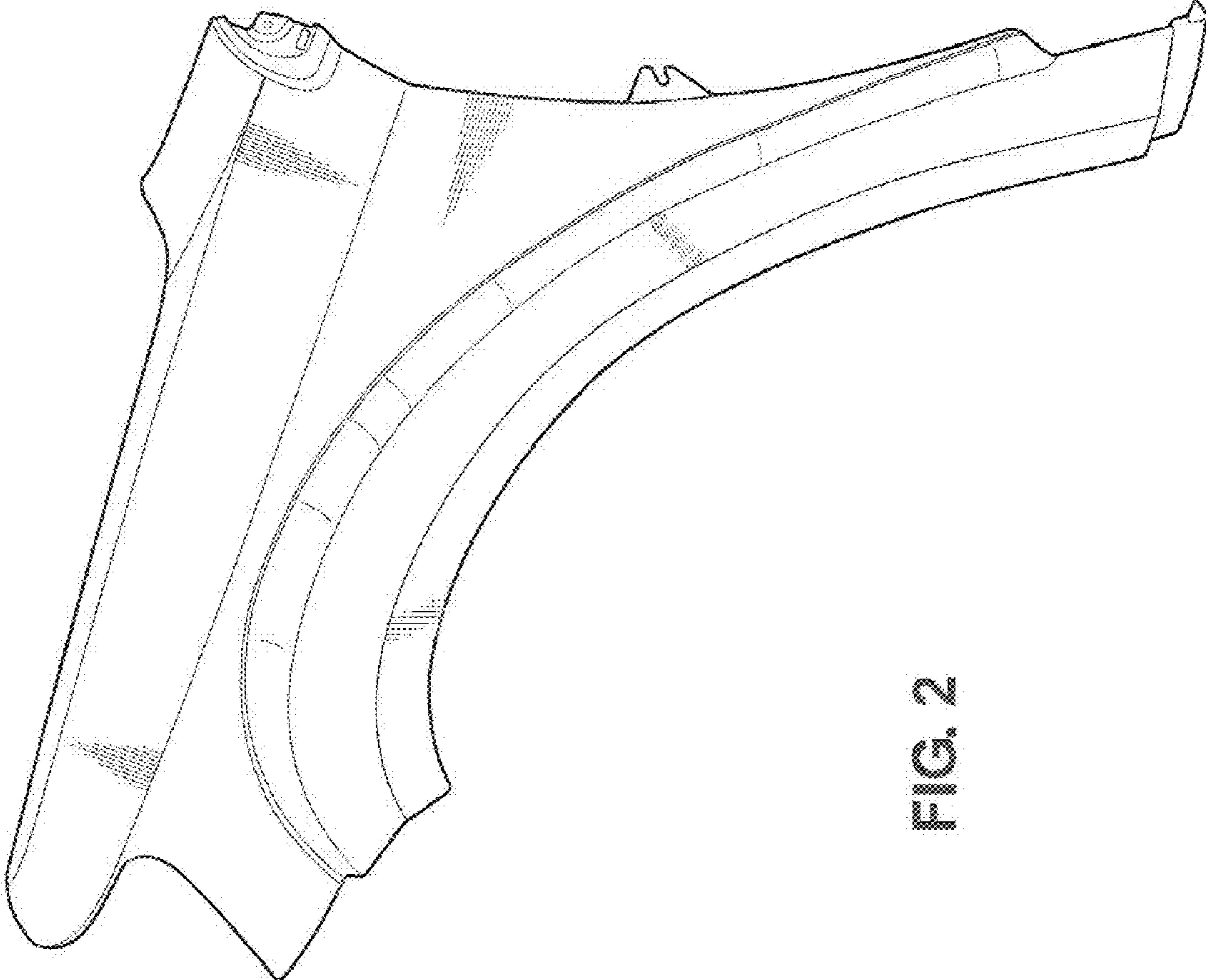


FIG. 2

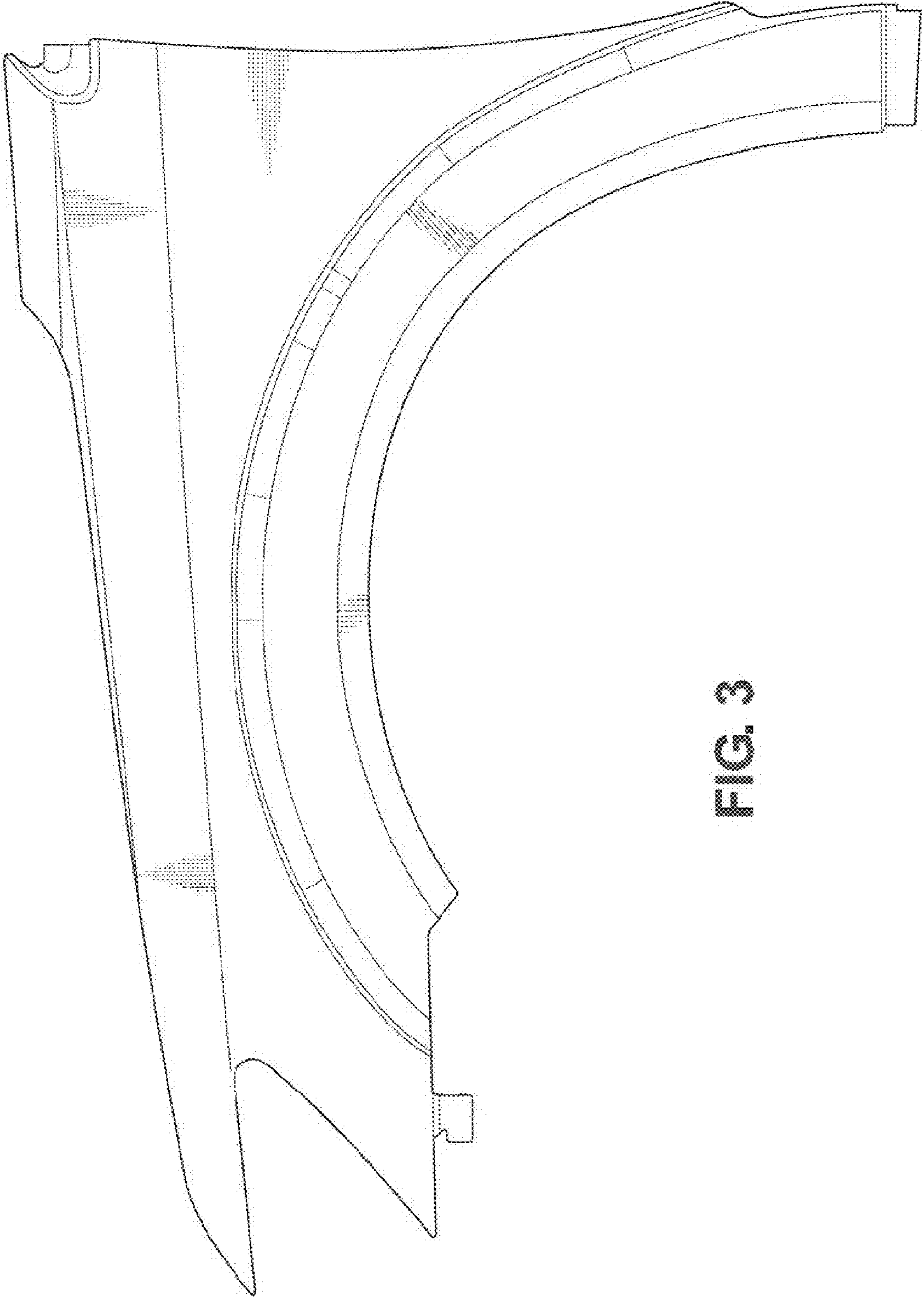


FIG. 3

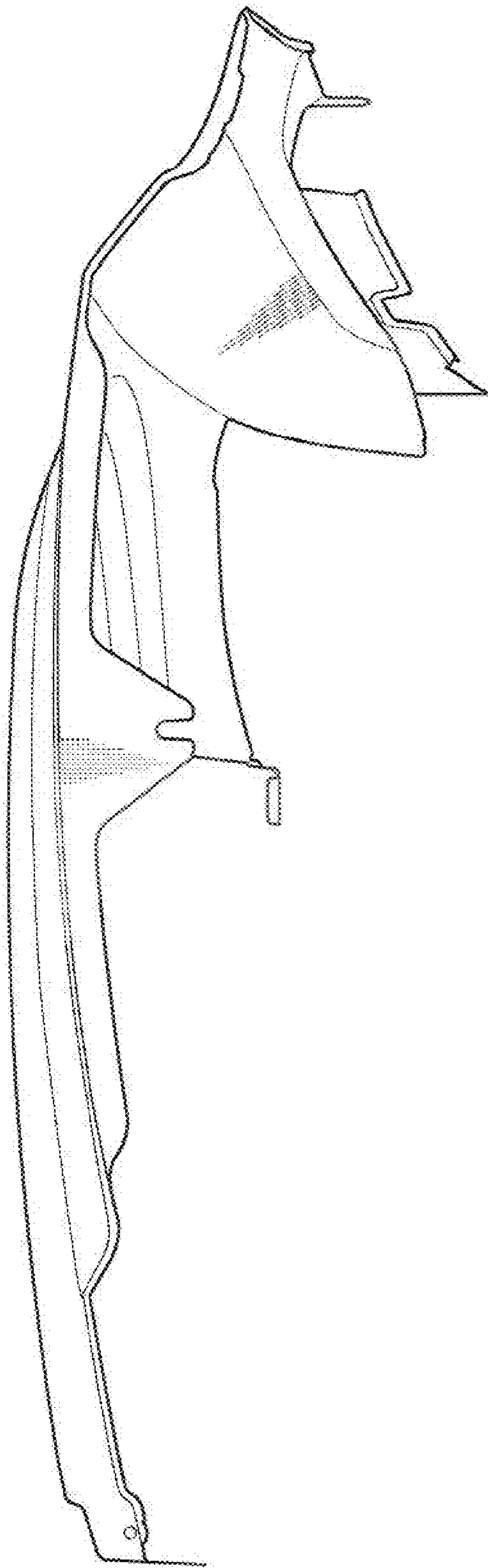


FIG. 4

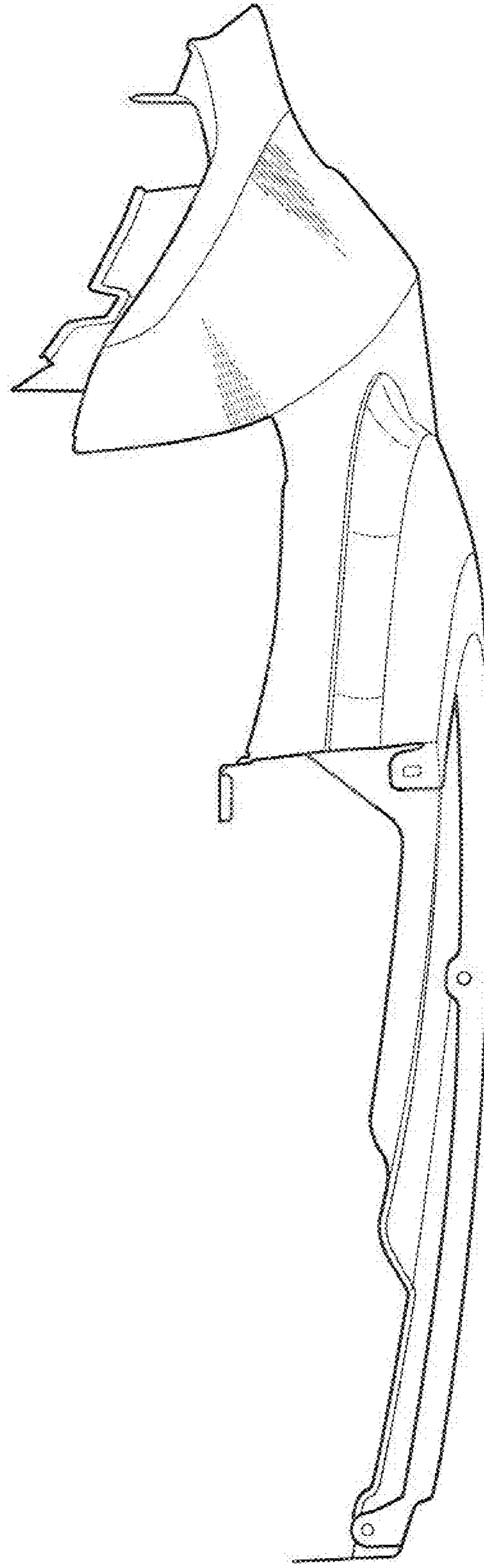


FIG. 5

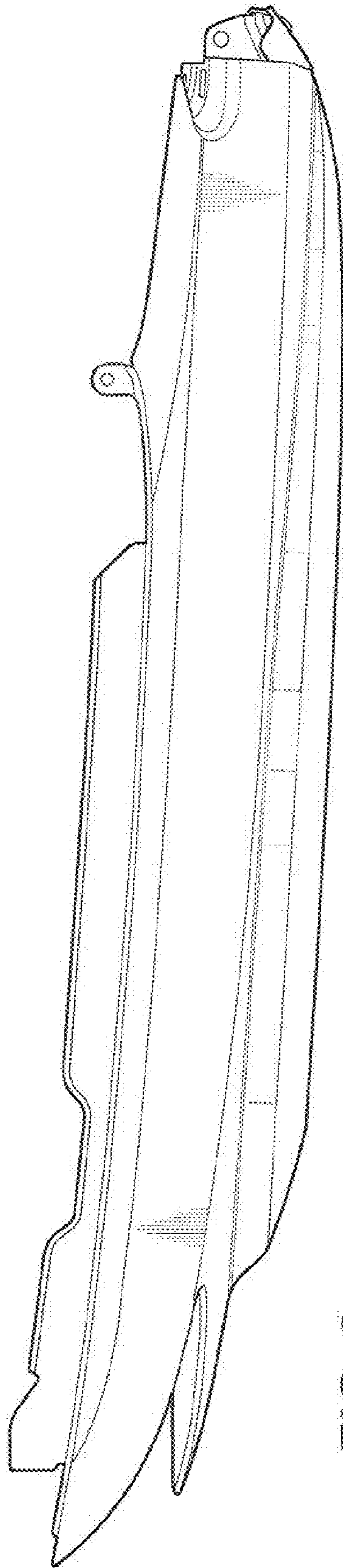


FIG. 6

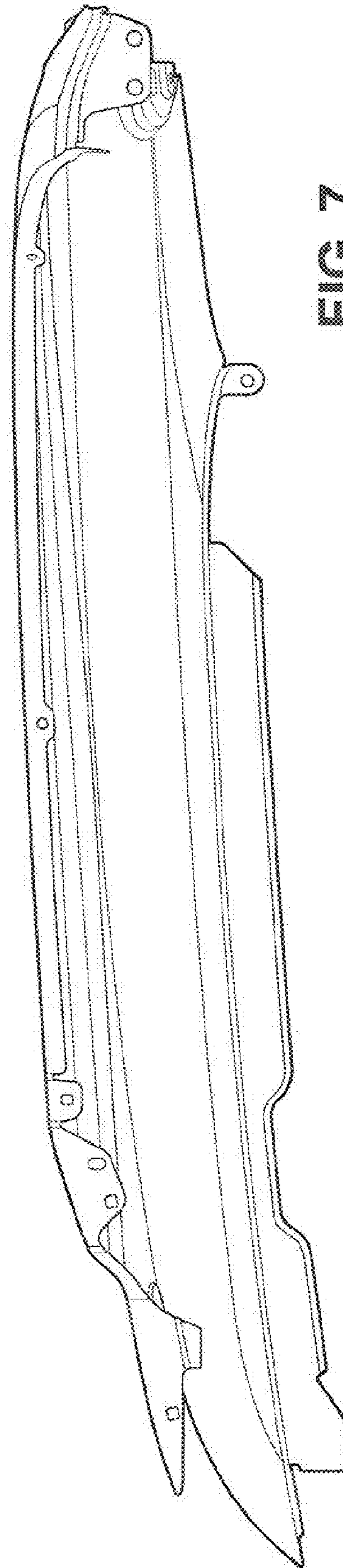


FIG. 7