

US00D597449S

(12) **United States Design Patent**
Nagao

(10) **Patent No.:** **US D597,449 S**

(45) **Date of Patent:** **** Aug. 4, 2009**

(54) **MOTORCYCLE**

D581,839 S * 12/2008 Sasanami D12/110

(75) Inventor: **Shigeki Nagao**, Tokyo-to (JP)

* cited by examiner

(73) Assignee: **Yamaha Hatsudoki Kabushiki Kaisha**
(JP)

Primary Examiner—Robin V Webster

Assistant Examiner—Linda Brooks

(74) *Attorney, Agent, or Firm*—Ostrolenk, Faber, Gerb & Soffen, LLP

(**) Term: **14 Years**

(21) Appl. No.: **29/323,775**

(57) **CLAIM**

(22) Filed: **Aug. 29, 2008**

The ornamental design for a motorcycle, as shown and described.

(51) **LOC (9) Cl.** **12-11**

(52) **U.S. Cl.** **D12/110**

(58) **Field of Classification Search** D12/110;
180/219, 220, 225, 229

See application file for complete search history.

DESCRIPTION

FIG. 1 is a right side, front perspective view of my new design;

FIG. 2 is a left side, rear perspective view thereof;

FIG. 3 is a right side view thereof;

FIG. 4 is a left side view thereof;

FIG. 5 is a front view thereof;

FIG. 6 is a rear view thereof; and,

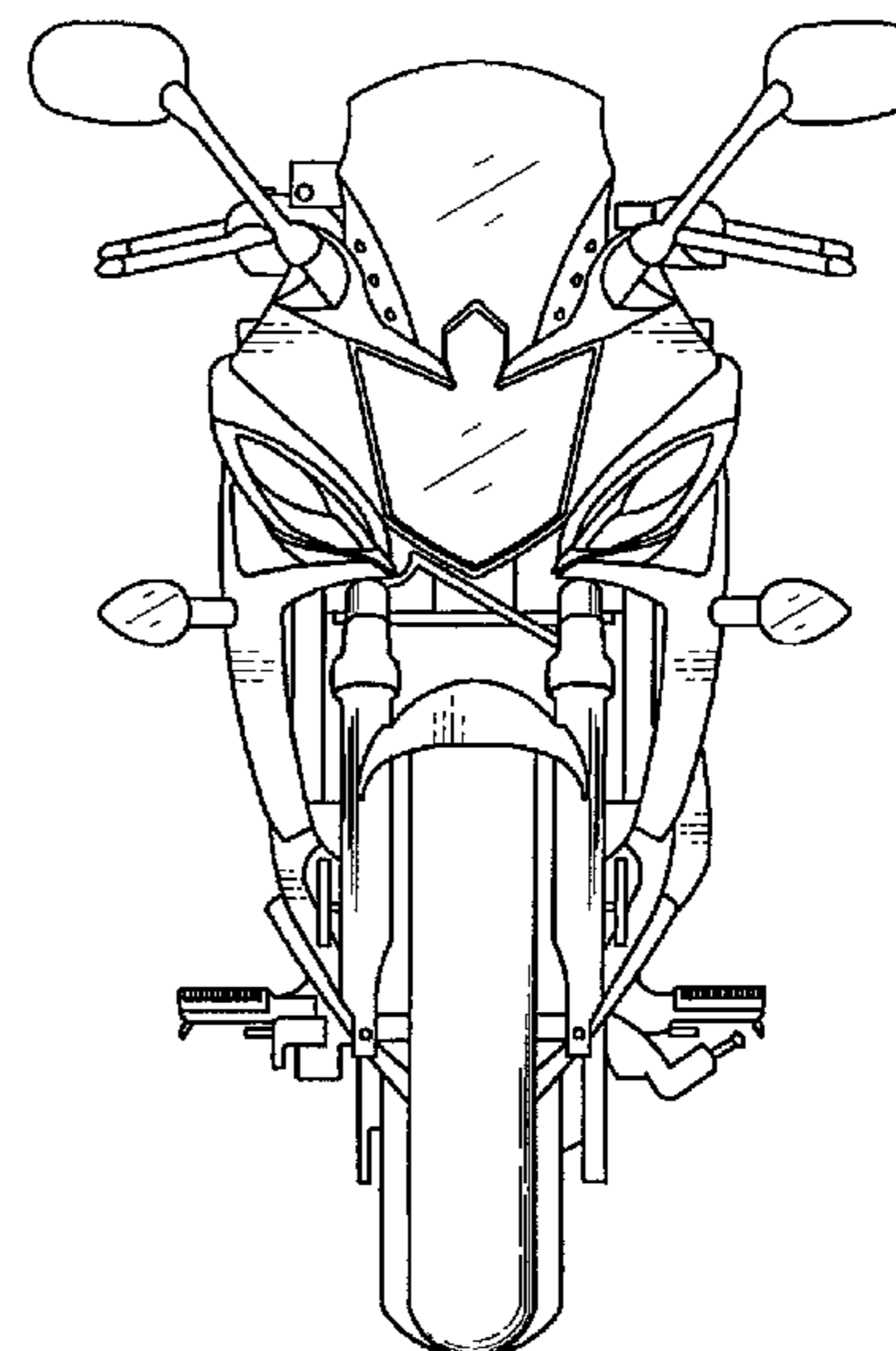
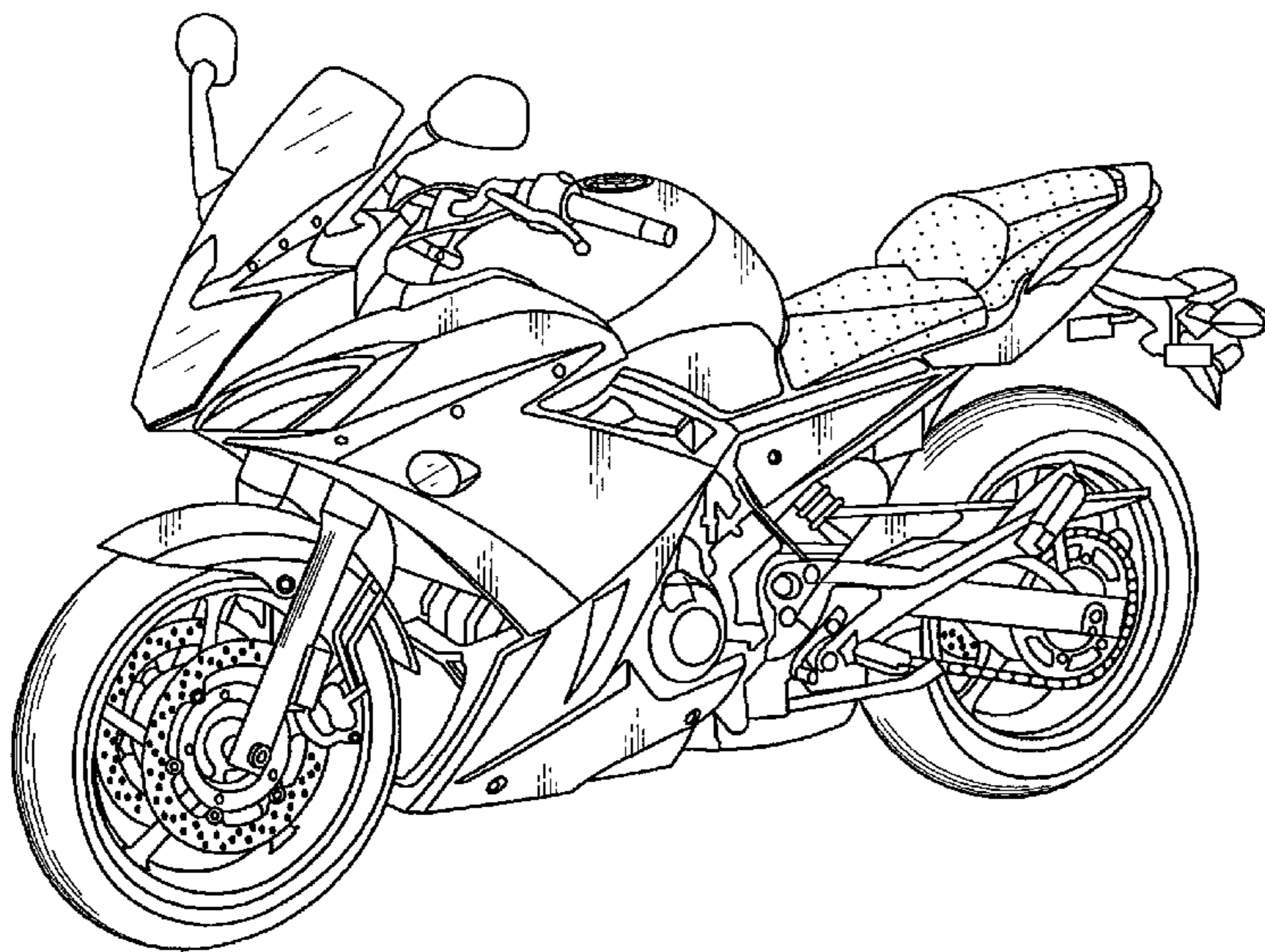
FIG. 7 is a top view thereof.

(56) **References Cited**

U.S. PATENT DOCUMENTS

| | | | | | |
|------------|---|--------|------------------|-------|---------|
| D504,844 S | * | 5/2005 | Sasanami | | D12/110 |
| D517,958 S | * | 3/2006 | Matsumura et al. | | D12/110 |
| D535,917 S | * | 1/2007 | Tamura | | D12/110 |
| D551,129 S | * | 9/2007 | Takeda et al. | | D12/110 |
| D567,717 S | * | 4/2008 | Hishiki | | D12/110 |

1 Claim, 6 Drawing Sheets



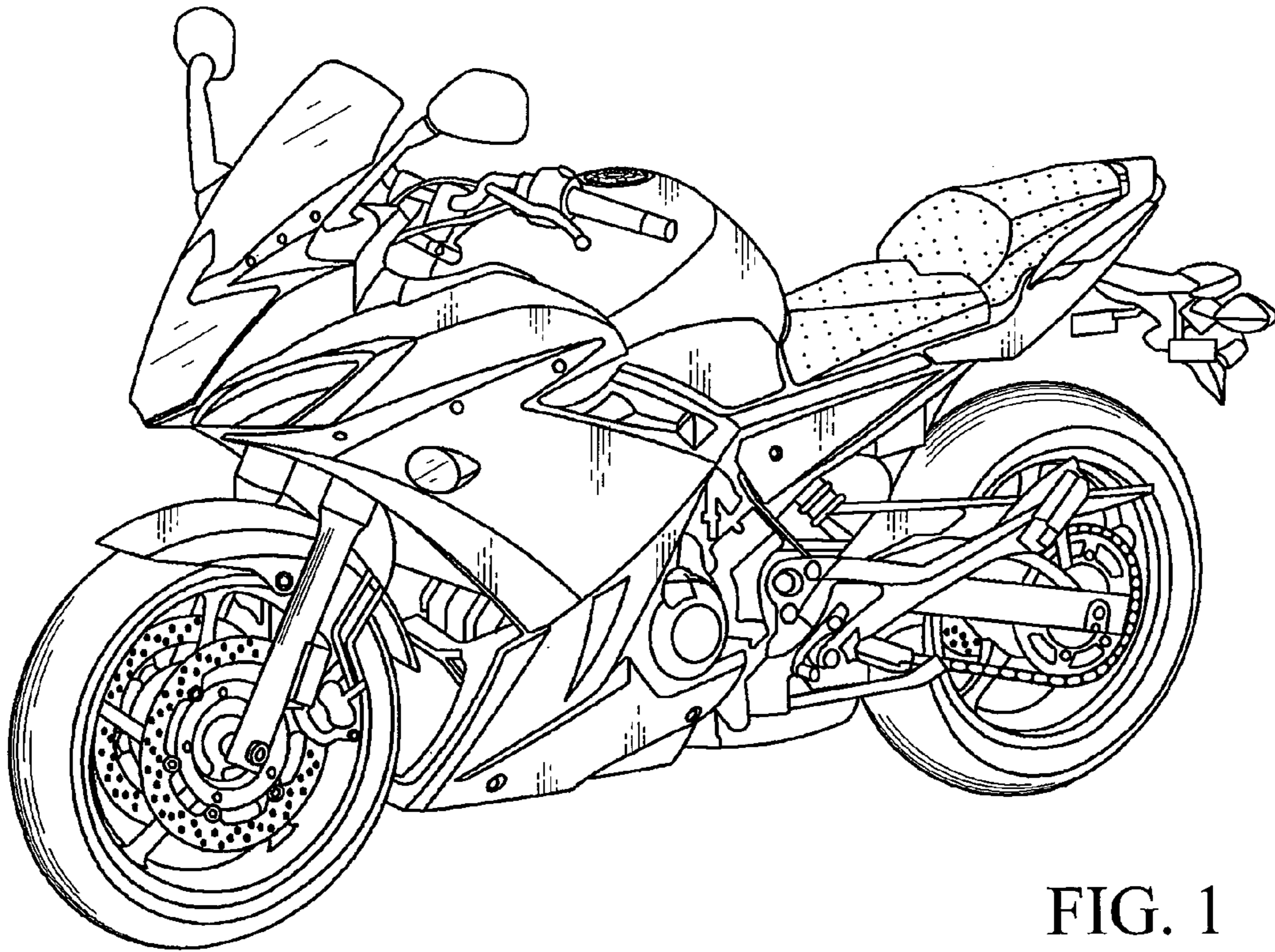


FIG. 1

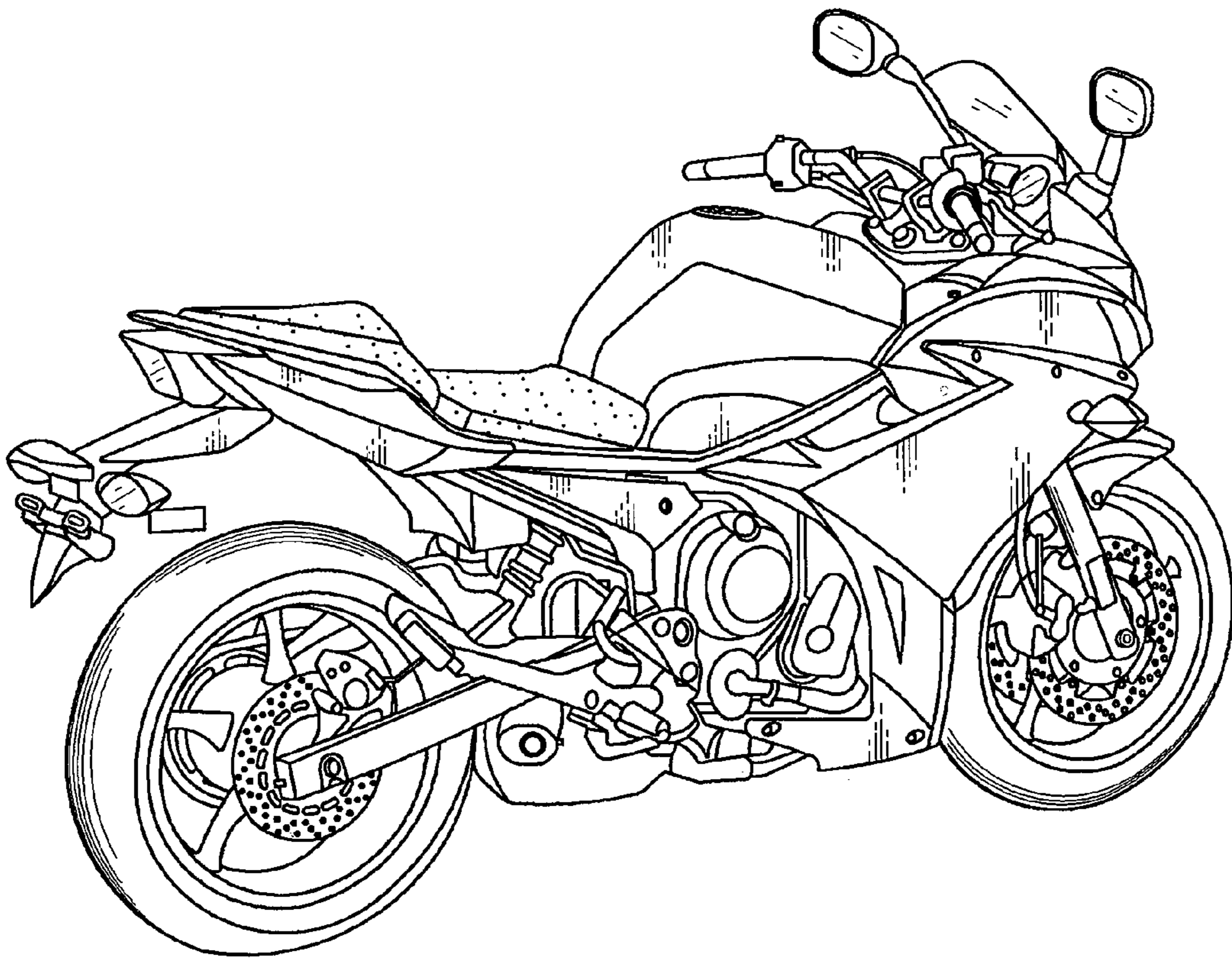


FIG. 2

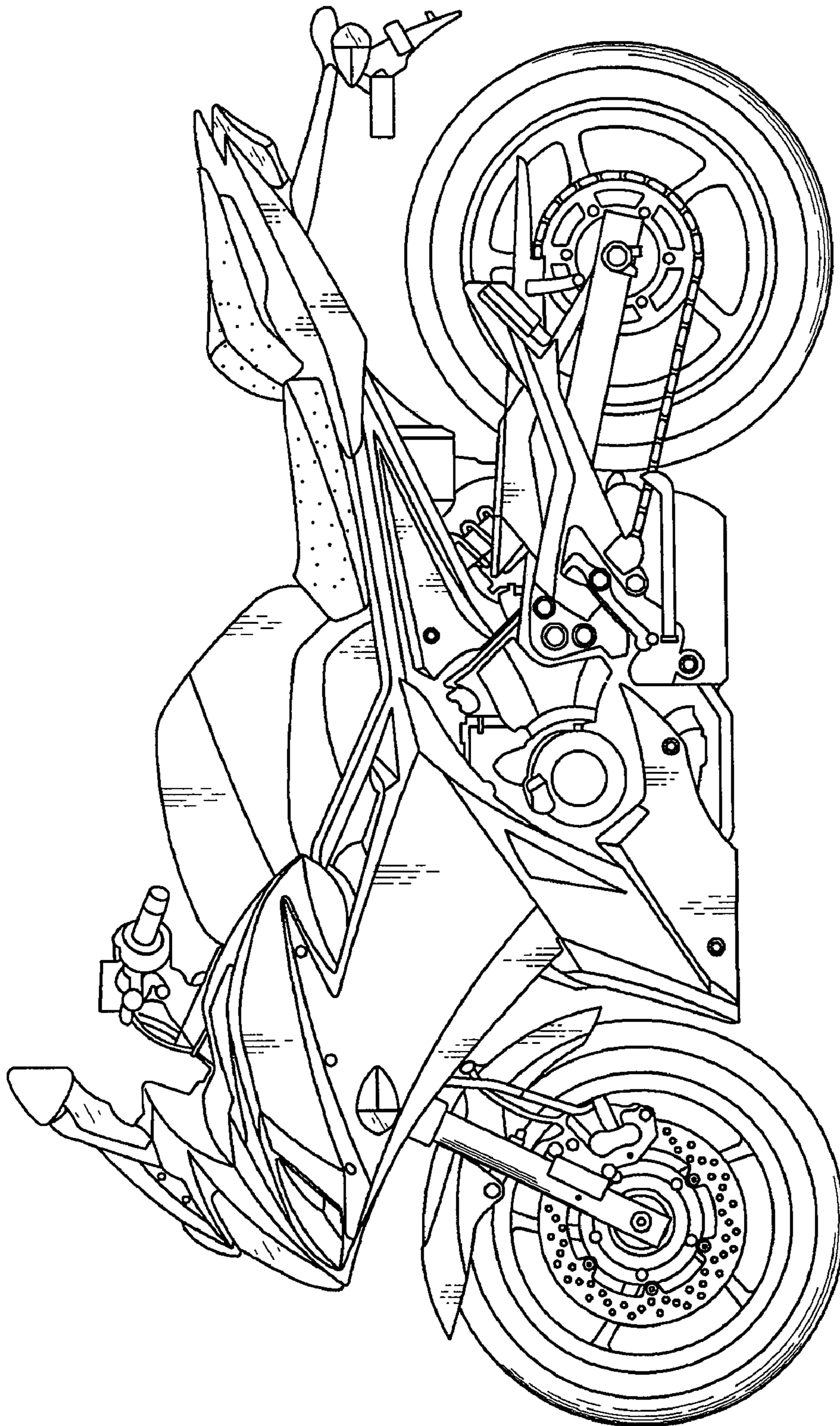


FIG. 3

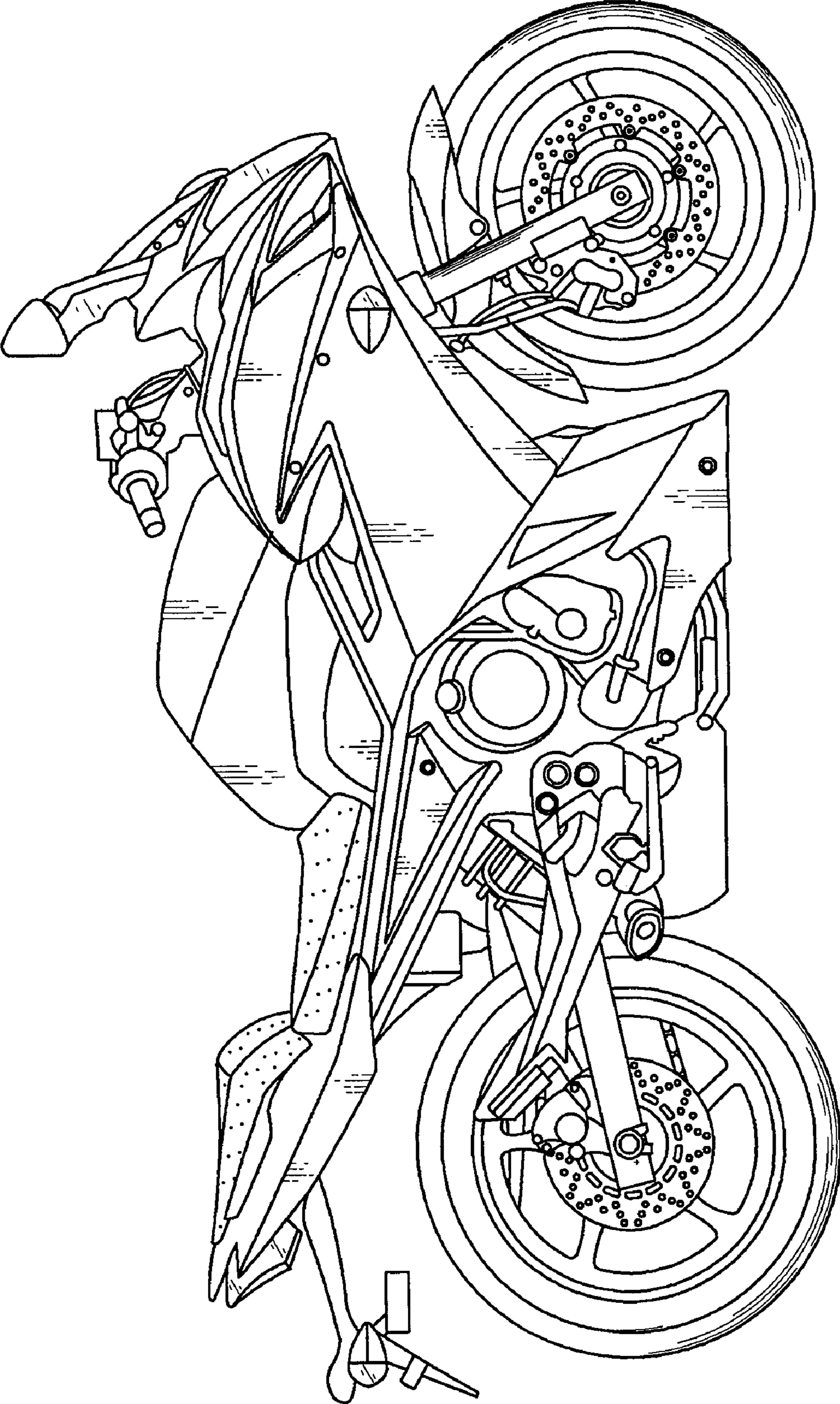


FIG. 4

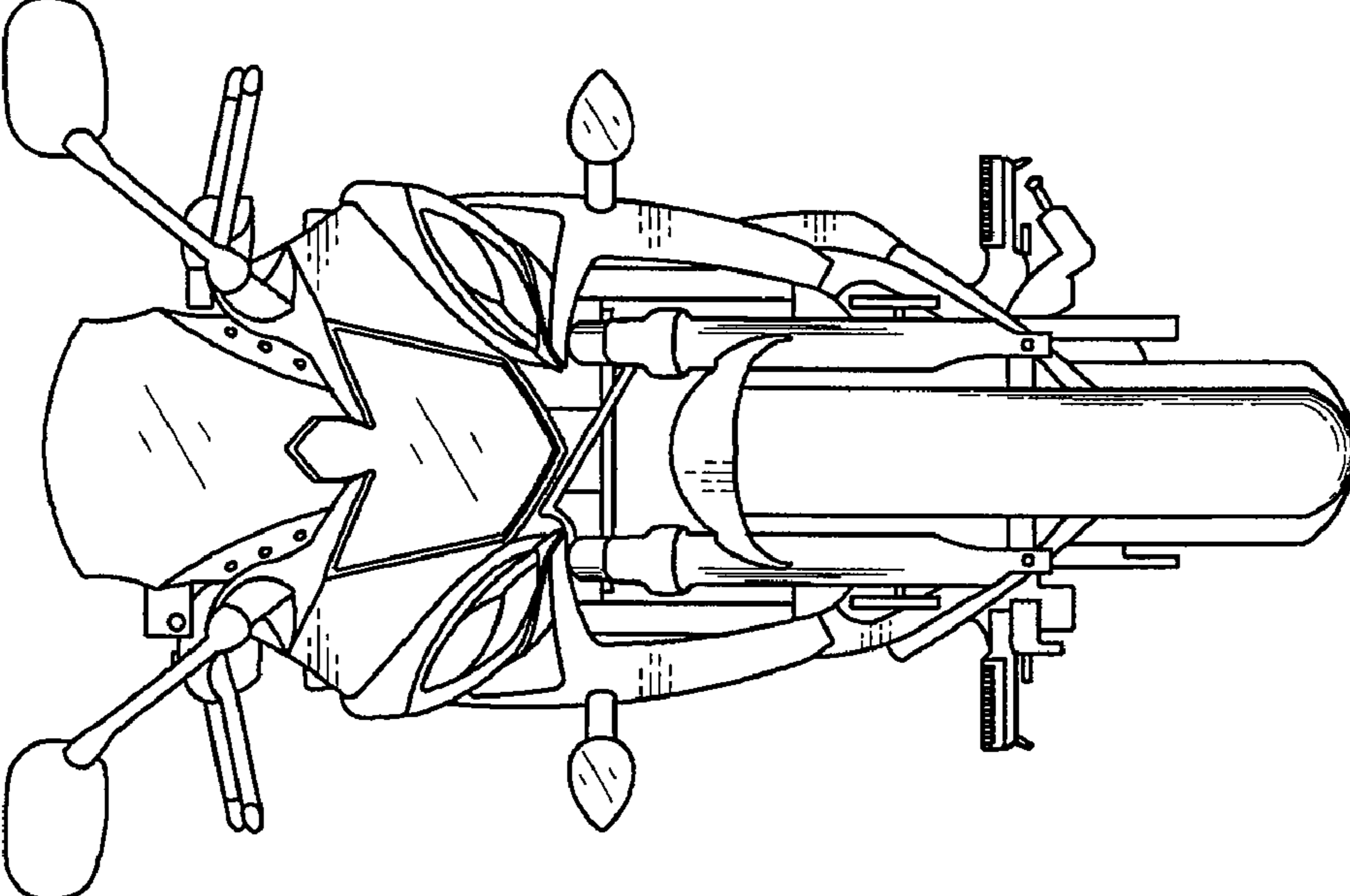


FIG. 5

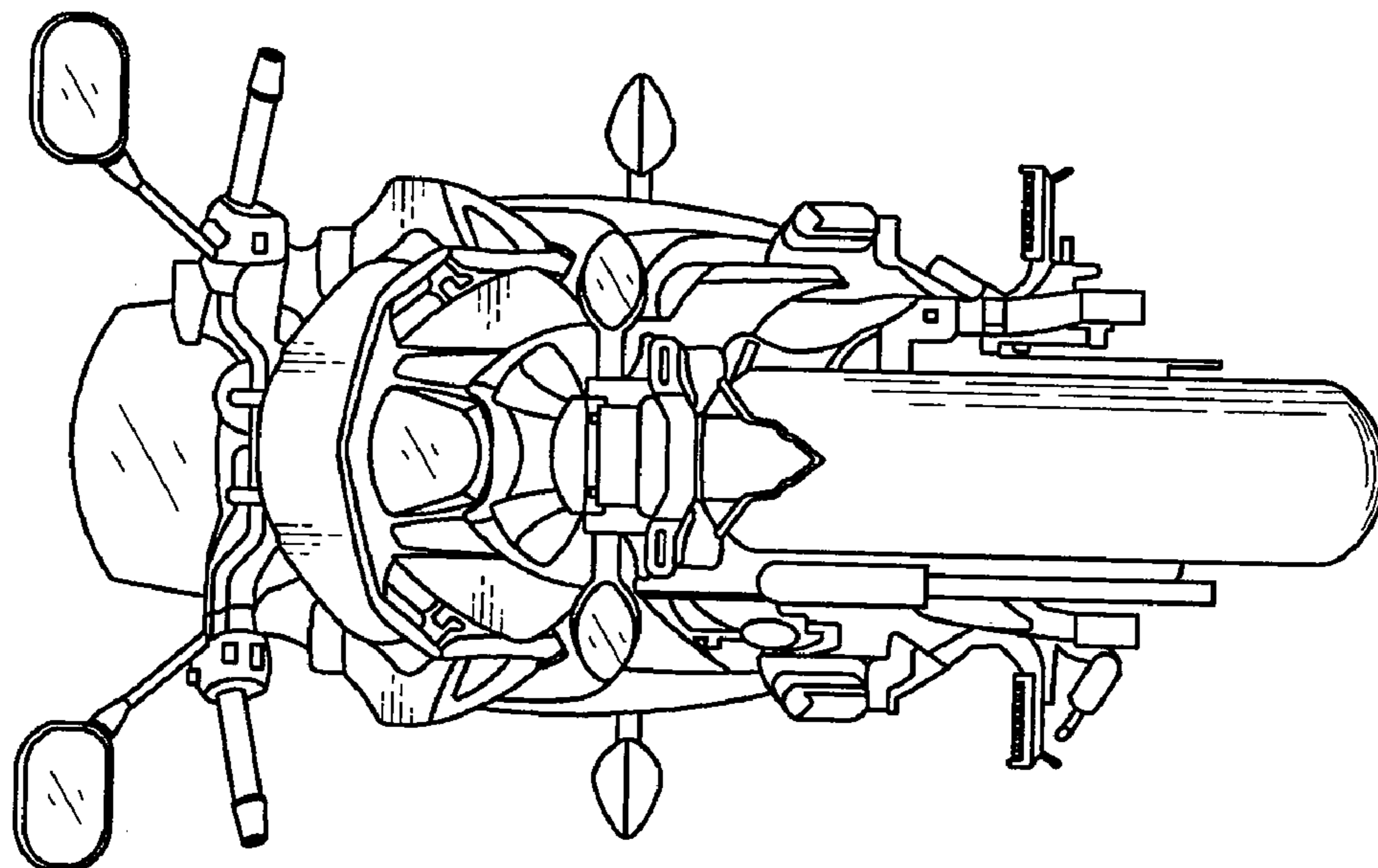


FIG. 6

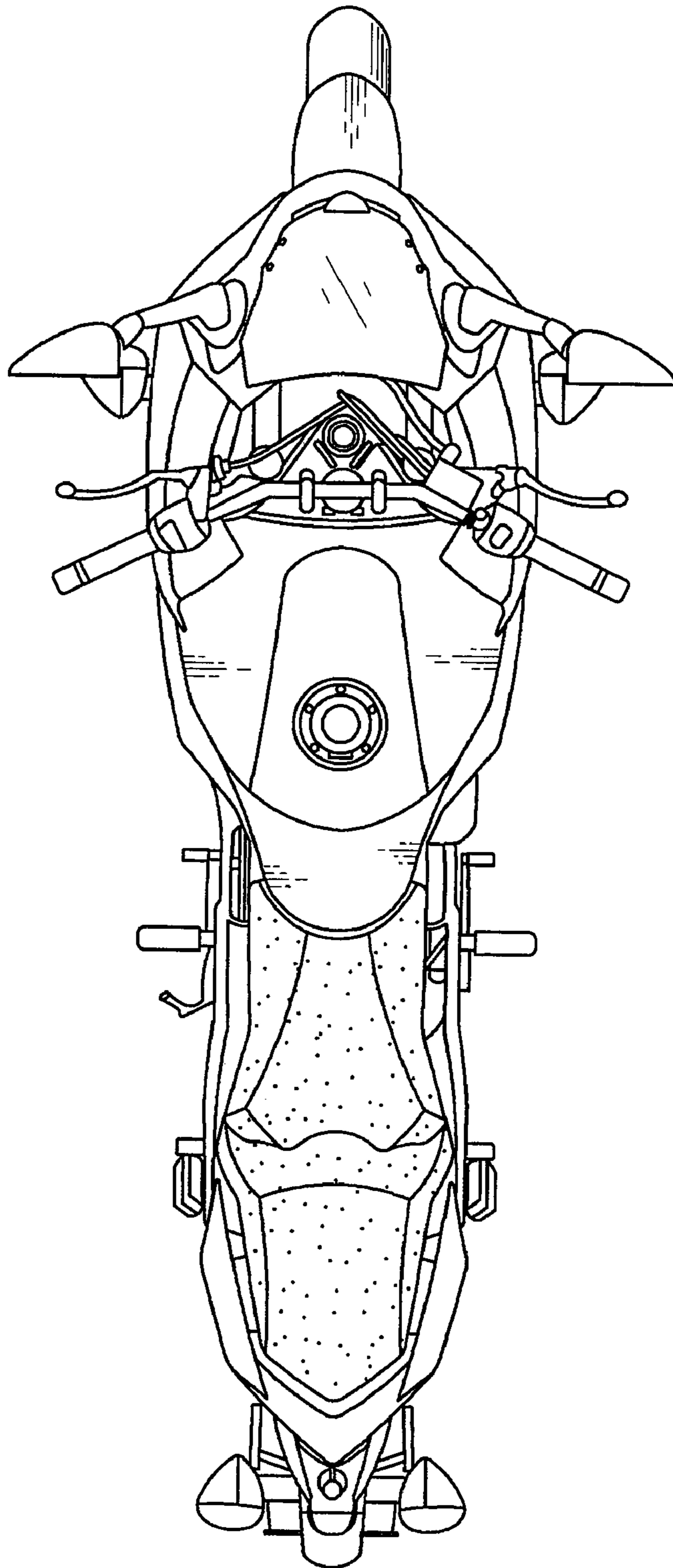


FIG. 7