

US00D597446S

(12) **United States Design Patent**  
**Ikeda et al.**

(10) **Patent No.:** **US D597,446 S**

(45) **Date of Patent:** **\*\* Aug. 4, 2009**

(54) **VEHICLE BODY**

D584,658 S \* 1/2009 Minami ..... D12/91  
D588,048 S \* 3/2009 Wang et al. .... D12/91

(75) Inventors: **Morio Ikeda**, Sao Paulo (BR); **Vicente D. Beire**, Sao Paulo (BR)

\* cited by examiner

*Primary Examiner*—Melody N Brown

(73) Assignee: **GM Global Technology Operations, Inc.**, Detroit, MI (US)

(57) **CLAIM**

(\*\*) Term: **14 Years**

The ornamental design for a vehicle body, as shown and described.

(21) Appl. No.: **29/325,624**

(22) Filed: **Oct. 3, 2008**

**DESCRIPTION**

(51) **LOC (9) Cl.** ..... **12-08**

FIG. 1 is a front view of a vehicle body showing the new design;

(52) **U.S. Cl.** ..... **D12/91**

FIG. 2 is a left side view thereof, the right side being a mirror image thereof;

(58) **Field of Classification Search** ..... D12/86,  
D12/90-92; 296/181.1, 181.5

FIG. 3 is a top plan view thereof; and,

See application file for complete search history.

FIG. 4 is a rear view thereof.

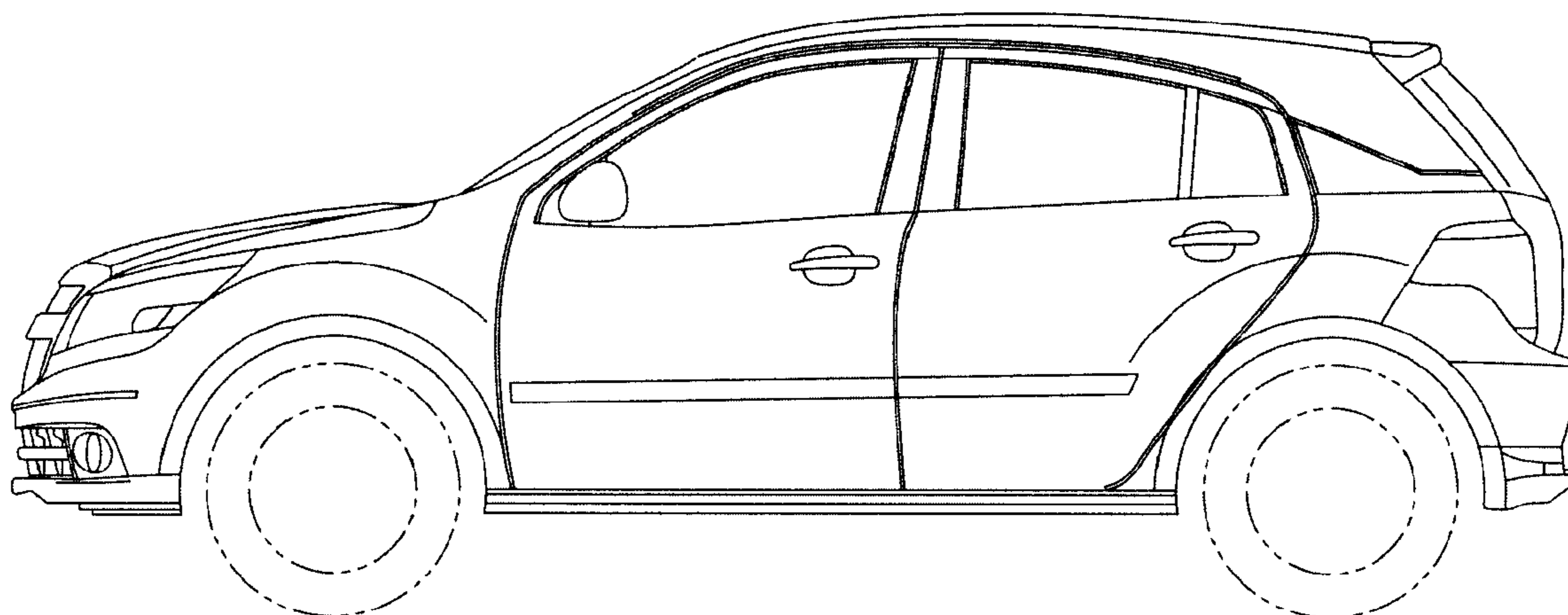
(56) **References Cited**

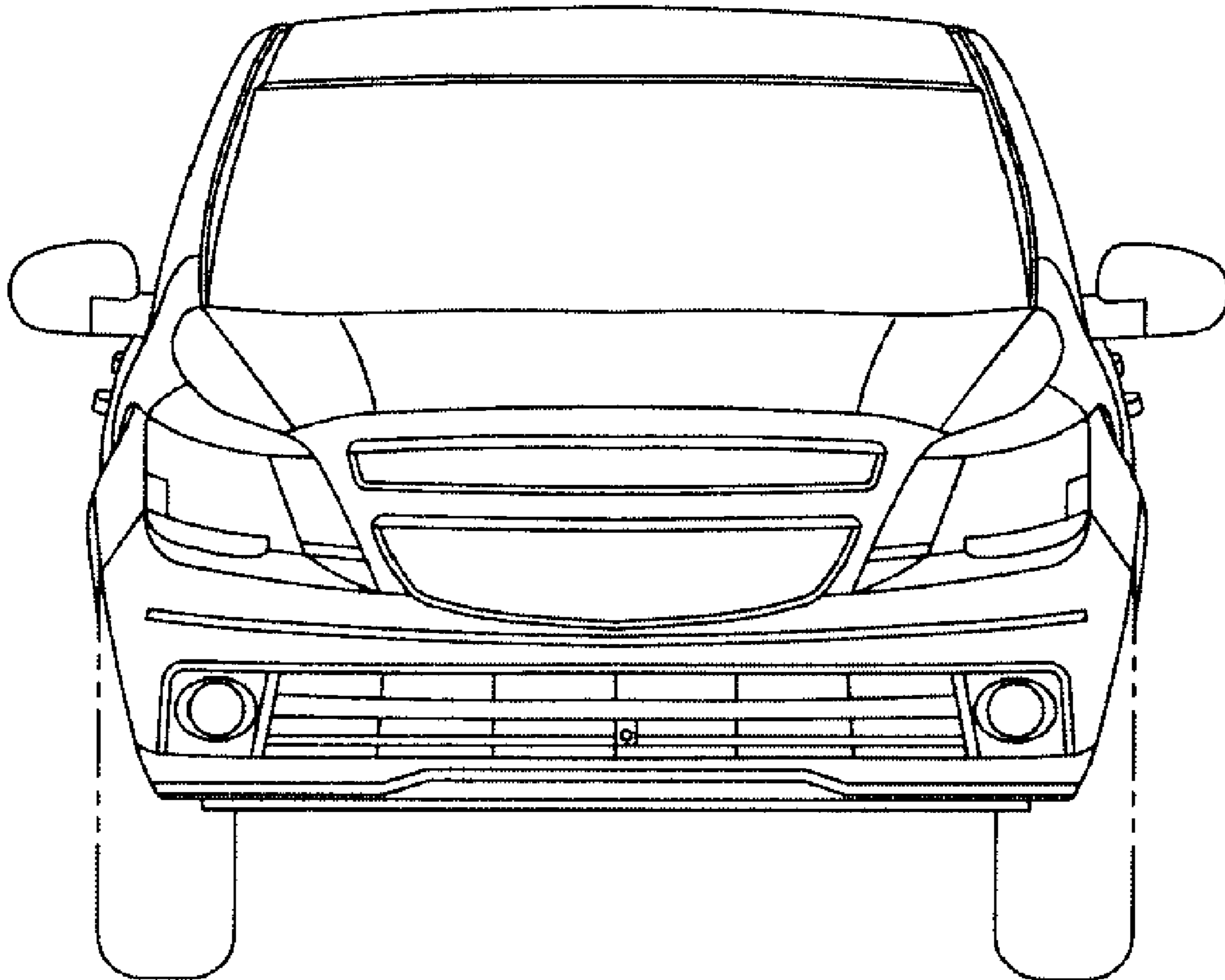
In the drawings, the elements shown in broken lines are for illustrative purposes only and form no part of the claimed design.

**U.S. PATENT DOCUMENTS**

D551,125 S \* 9/2007 Uchino et al. .... D12/92  
D583,710 S \* 12/2008 Sonoda et al. .... D12/91

**1 Claim, 4 Drawing Sheets**





*Fig-1*

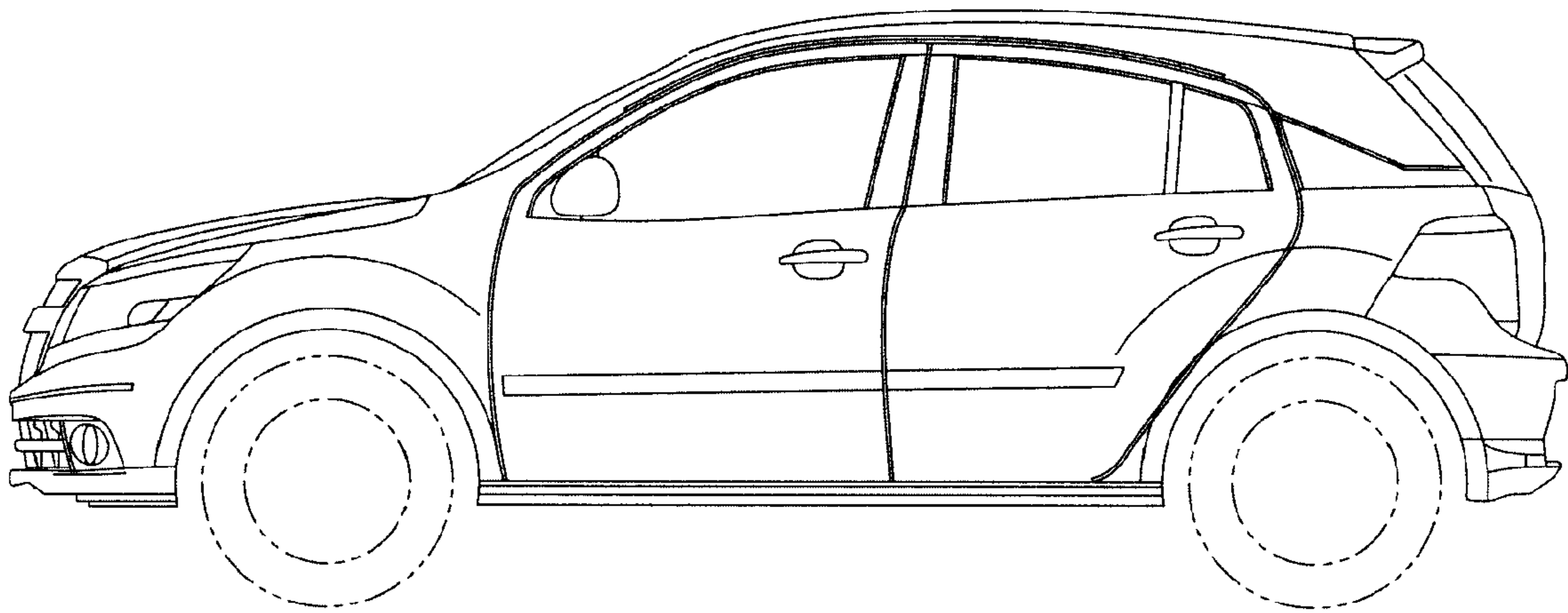


Fig-2

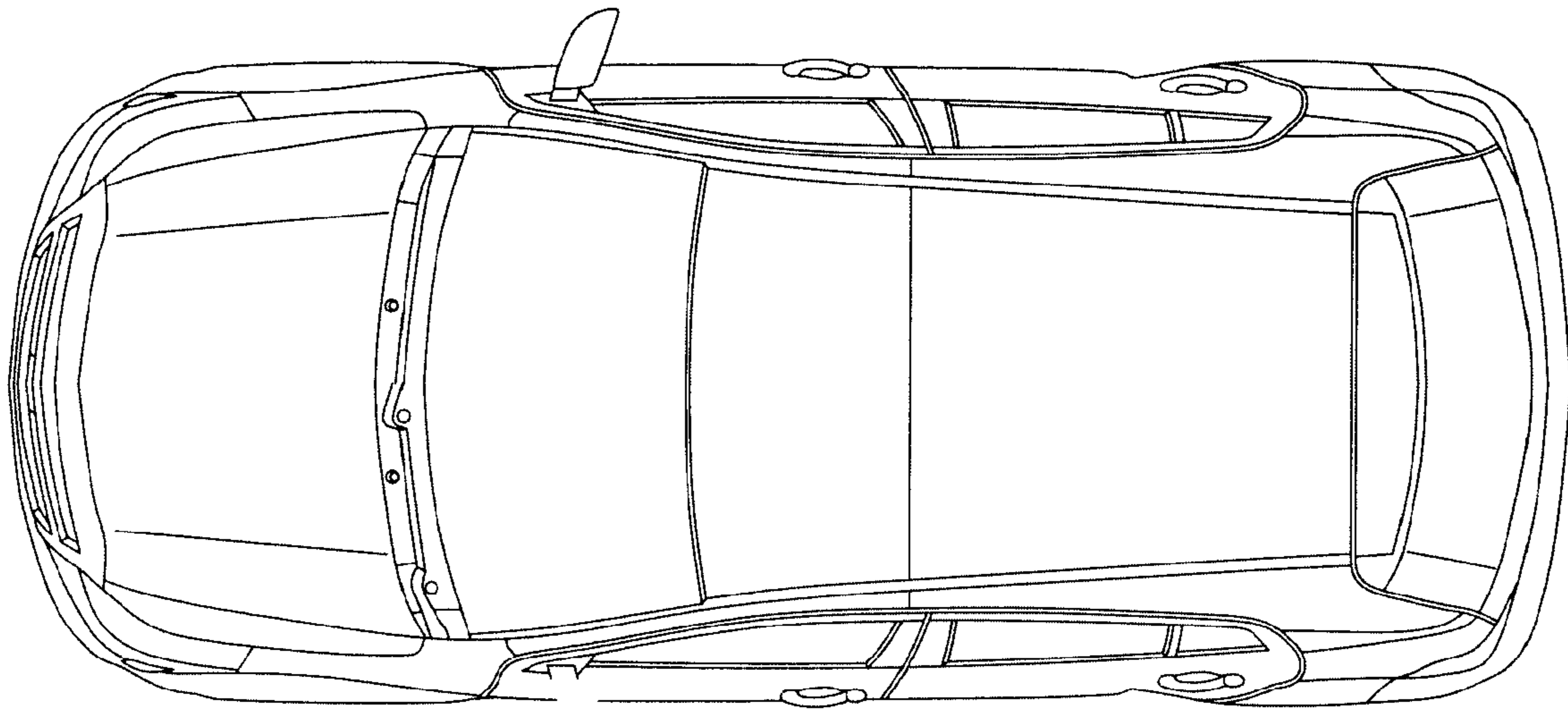


Fig-3

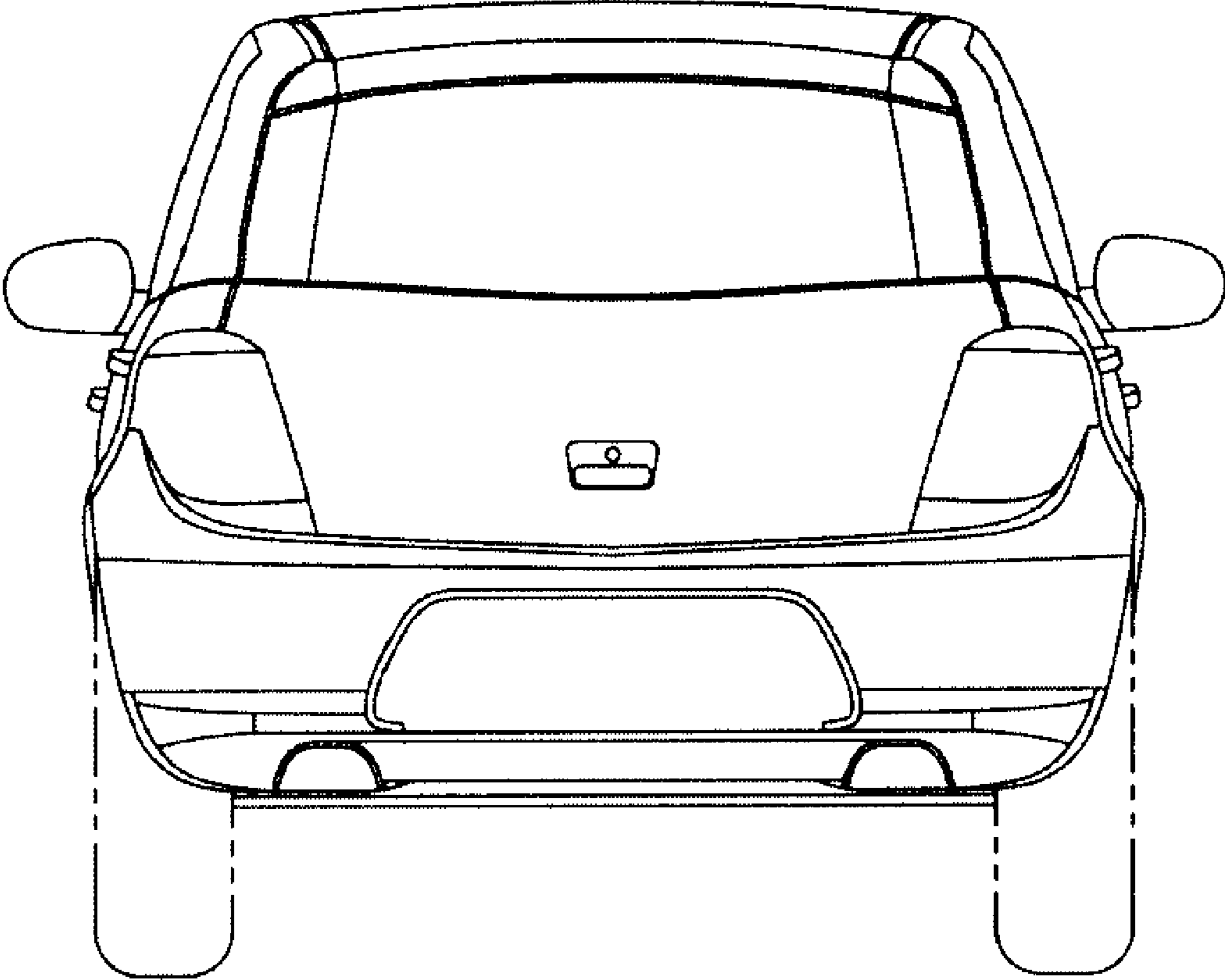


Fig-4