



US00D597437S

(12) **United States Design Patent**  
**Hawk**

(10) **Patent No.:** **US D597,437 S**

(45) **Date of Patent:** **\*\* Aug. 4, 2009**

(54) **STAR RING**

D506,406 S \* 6/2005 Sandberg ..... D11/70  
D522,903 S \* 6/2006 Jorgensen ..... D11/26

(76) Inventor: **John J. Hawk**, 3509 Darion La., Plano,  
TX (US) 75093

\* cited by examiner

(\*\*) Term: **14 Years**

*Primary Examiner*—Cathron C Brooks

*Assistant Examiner*—Melanie Levy

(21) Appl. No.: **29/302,895**

(74) *Attorney, Agent, or Firm*—Michael A. O’Neil

(22) Filed: **Jan. 28, 2008**

(57) **CLAIM**

(51) **LOC (9) Cl.** ..... **11-01**

The ornamental design for a star ring, as shown and described.

(52) **U.S. Cl.** ..... **D11/26**

(58) **Field of Classification Search** ..... D11/3,  
D11/26–39, 70; 63/15, 15.1–15.4, 15.45,  
63/15.5, 15.6, 15.65, 26, 27

**DESCRIPTION**

See application file for complete search history.

FIG. 1 is a perspective view of a star ring which embodies the present design;

(56) **References Cited**

FIG. 2 is a top view of the star ring of FIG. 1;

**U.S. PATENT DOCUMENTS**

FIG. 3 is a bottom view of the star ring of FIG. 1;

D142,603 S *	10/1945	Weed	.....	D11/26
D178,498 S *	8/1956	Phillip	.....	D11/34
D245,489 S *	8/1977	Rimberg	.....	D11/26
4,936,699 A *	6/1990	Yoshida	.....	401/48
D343,139 S *	1/1994	Cooper	.....	D11/30
D490,337 S *	5/2004	Reed	.....	D11/30
D502,423 S *	3/2005	Reed	.....	D11/30

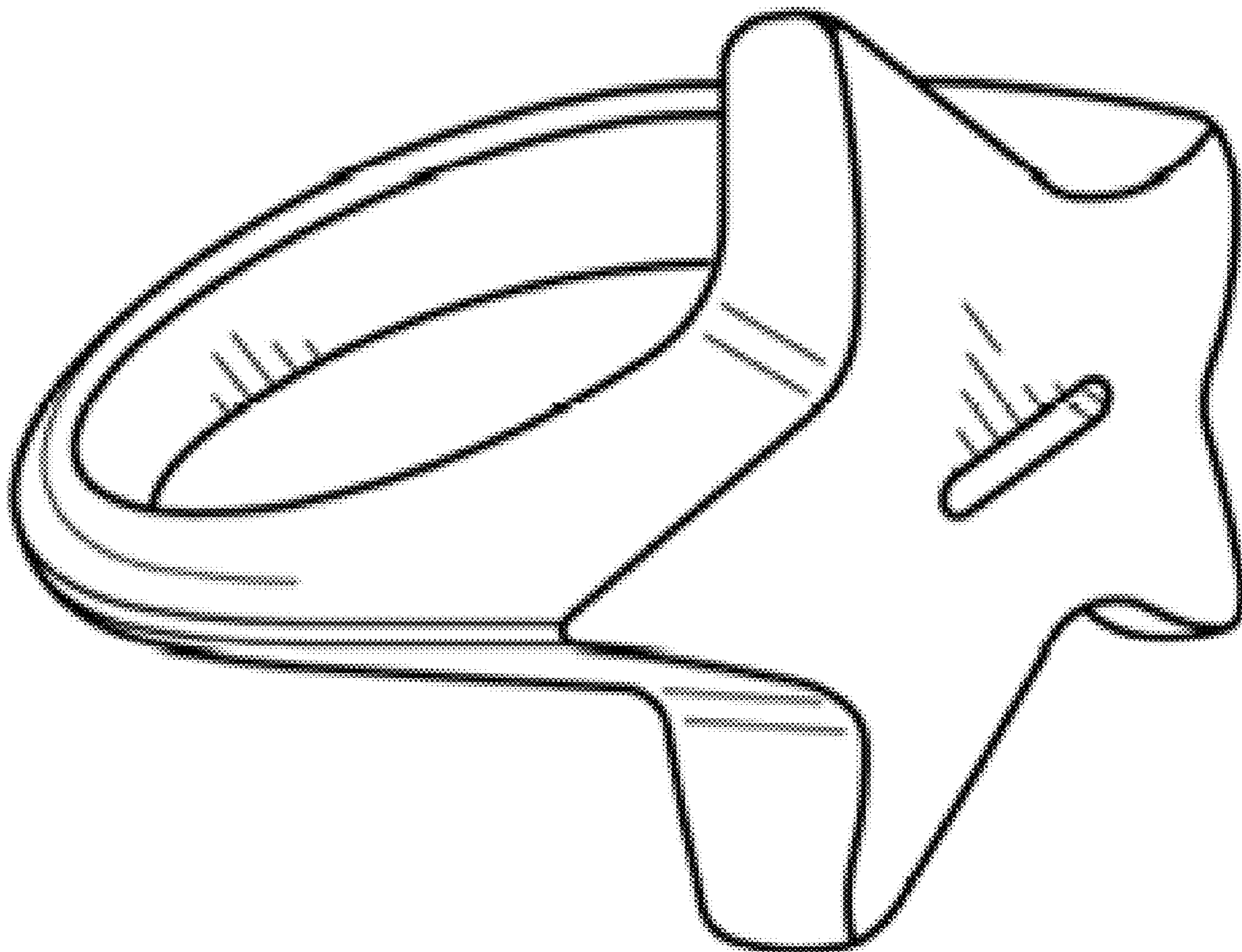
FIG. 4 is a front view of the star ring of FIG. 1;

FIG. 5 is a back view of the star ring of FIG. 1;

FIG. 6 is a left side view of the star ring of FIG. 1; and,

FIG. 7 is a right side view of the star ring of FIG. 1.

**1 Claim, 1 Drawing Sheet**



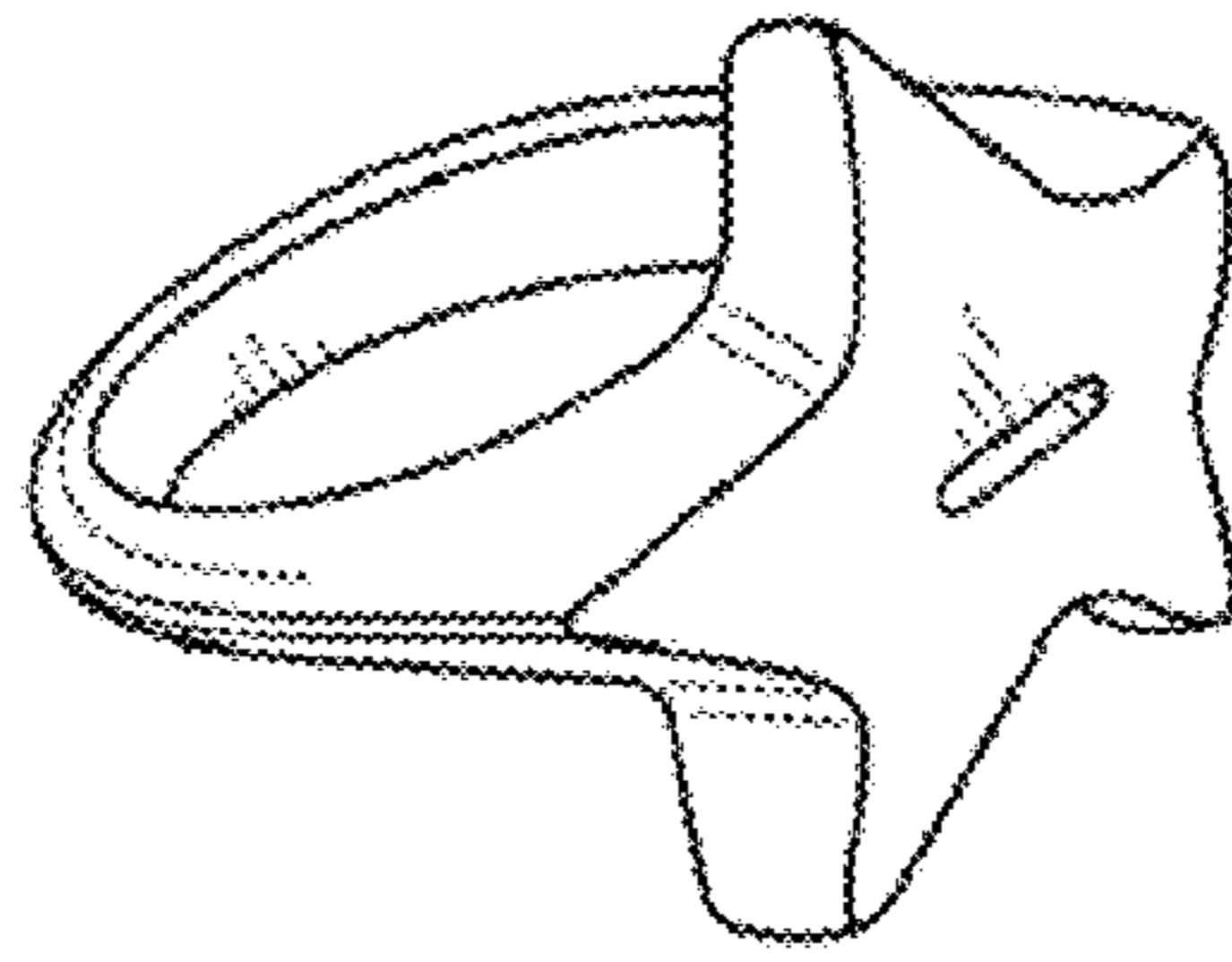


FIG. 1

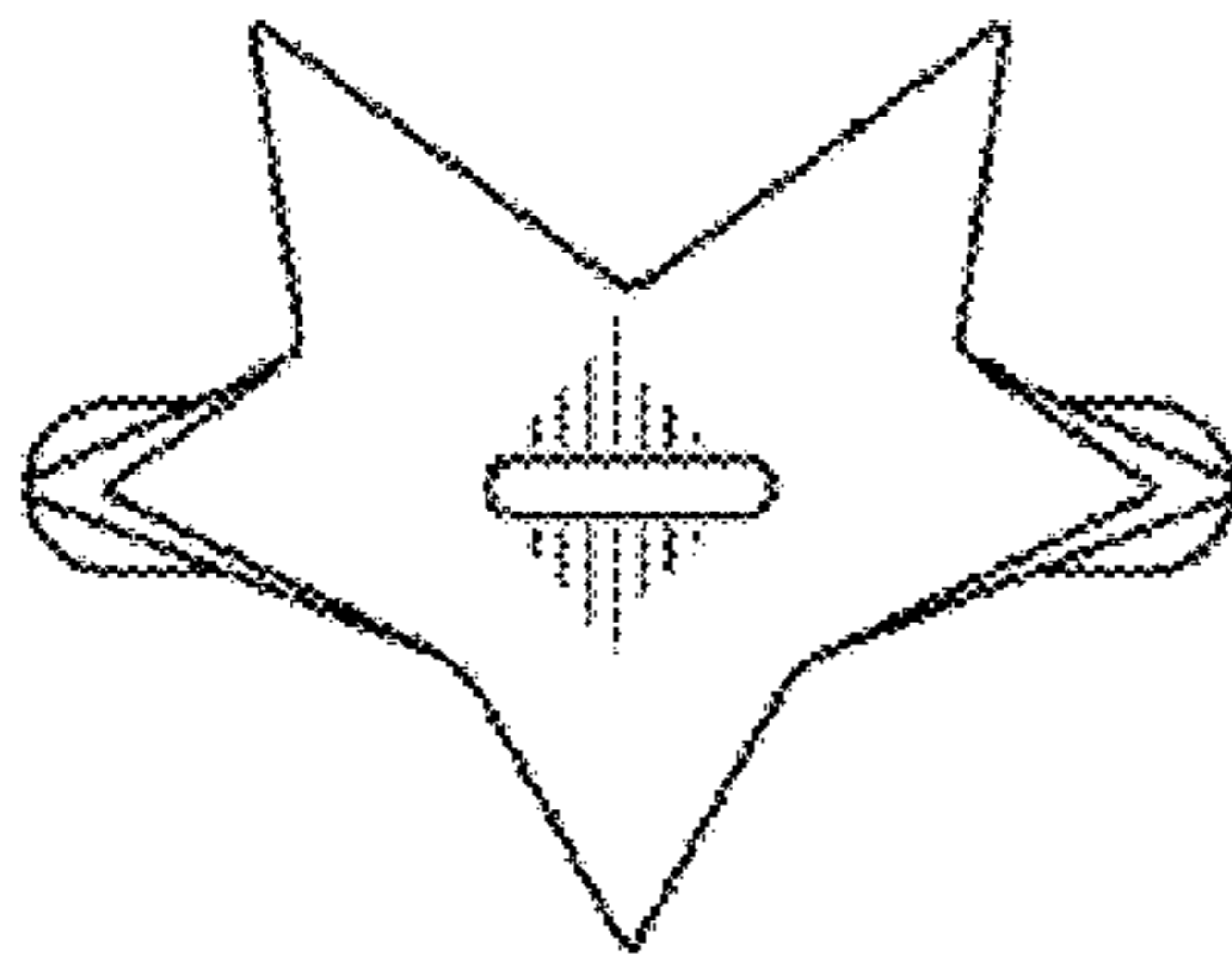


FIG. 2

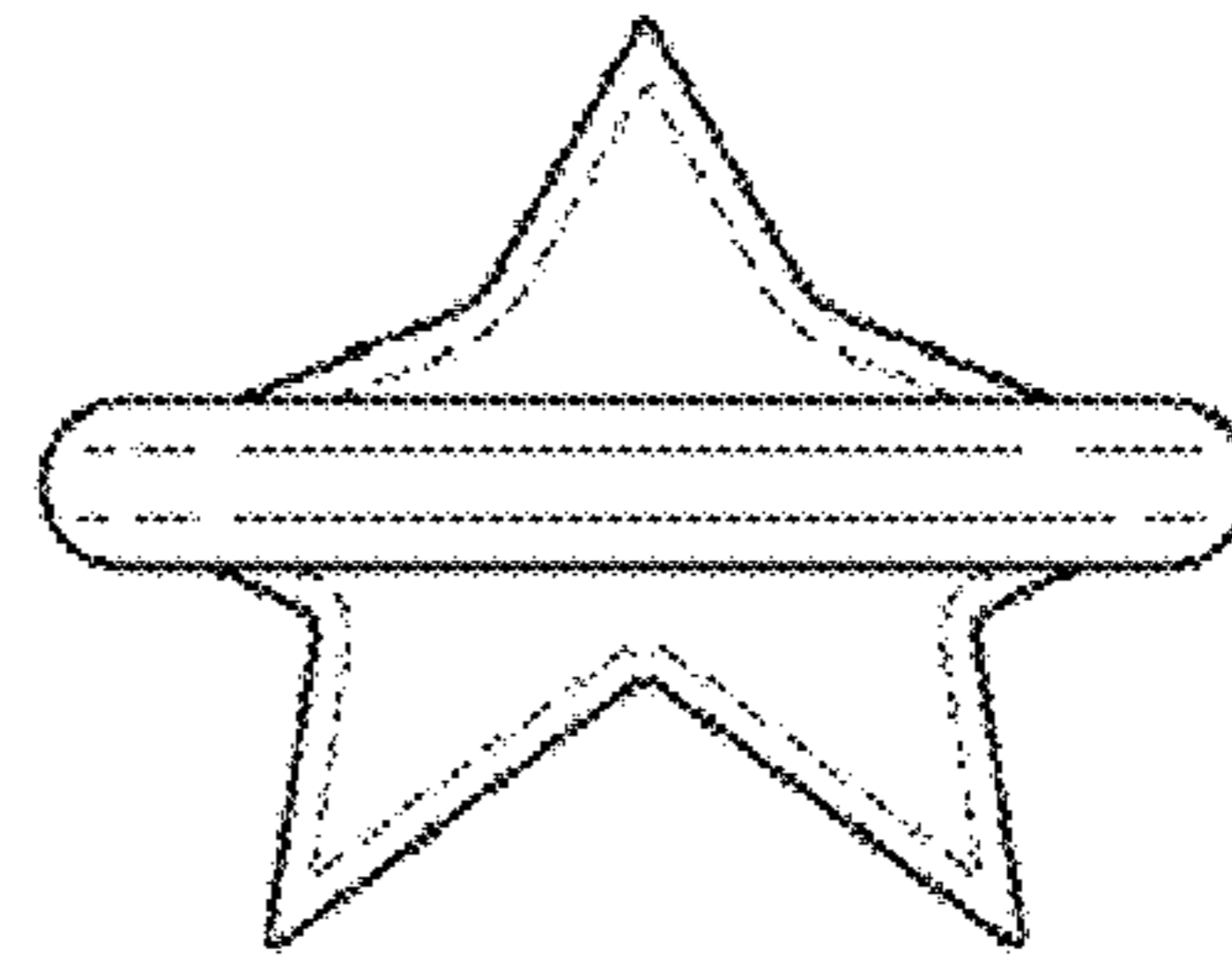


FIG. 3

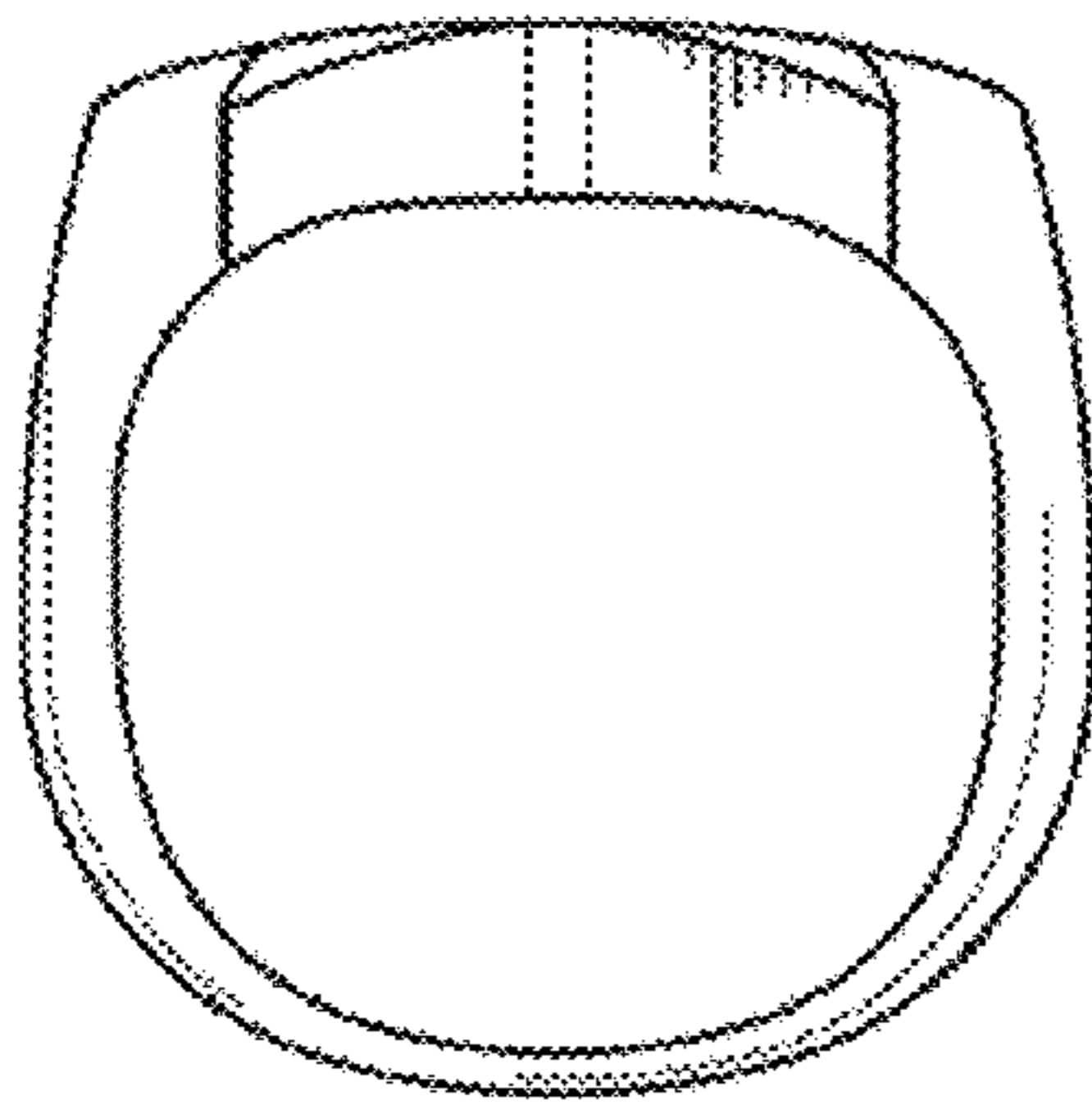


FIG. 4

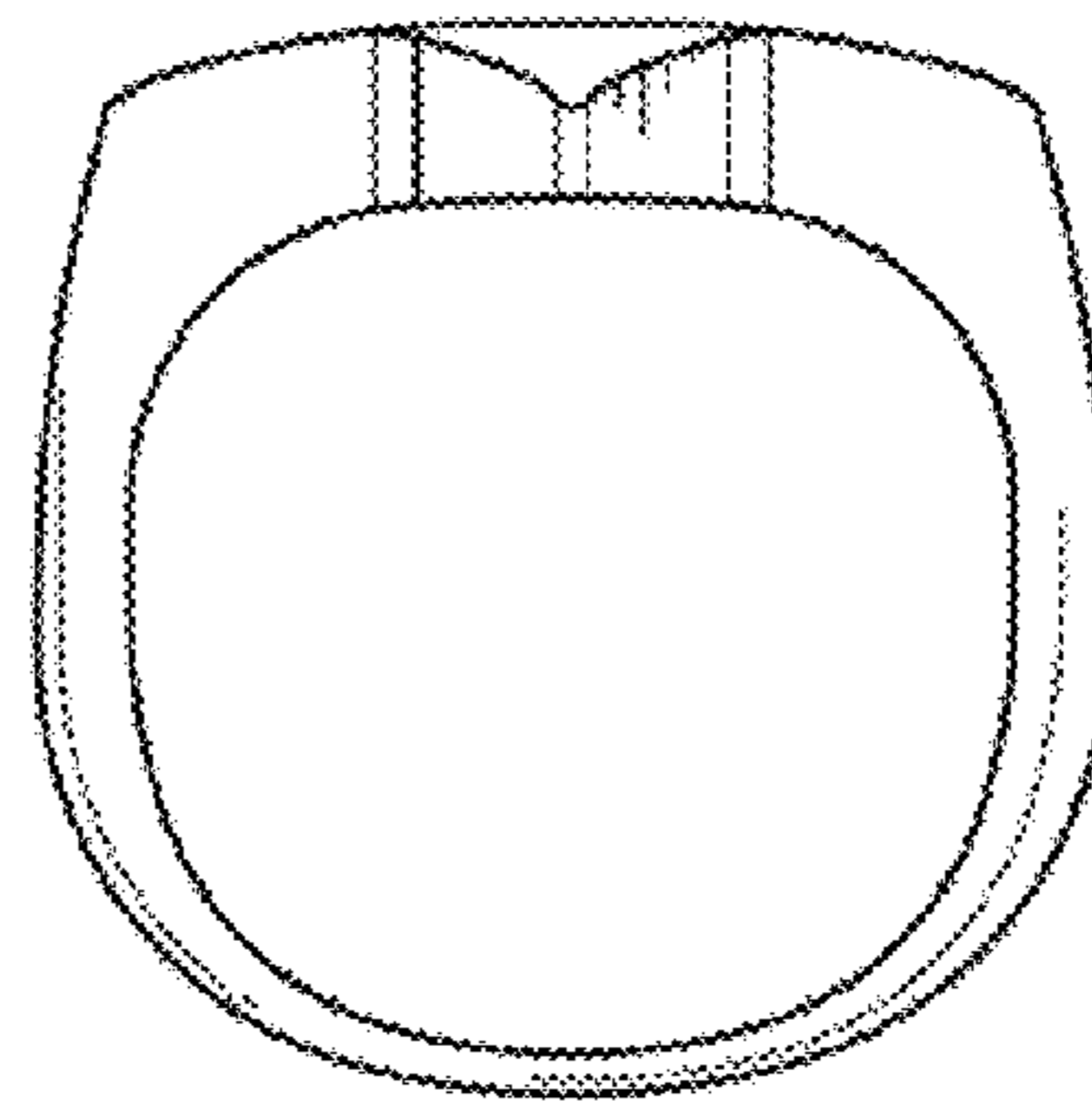


FIG. 5

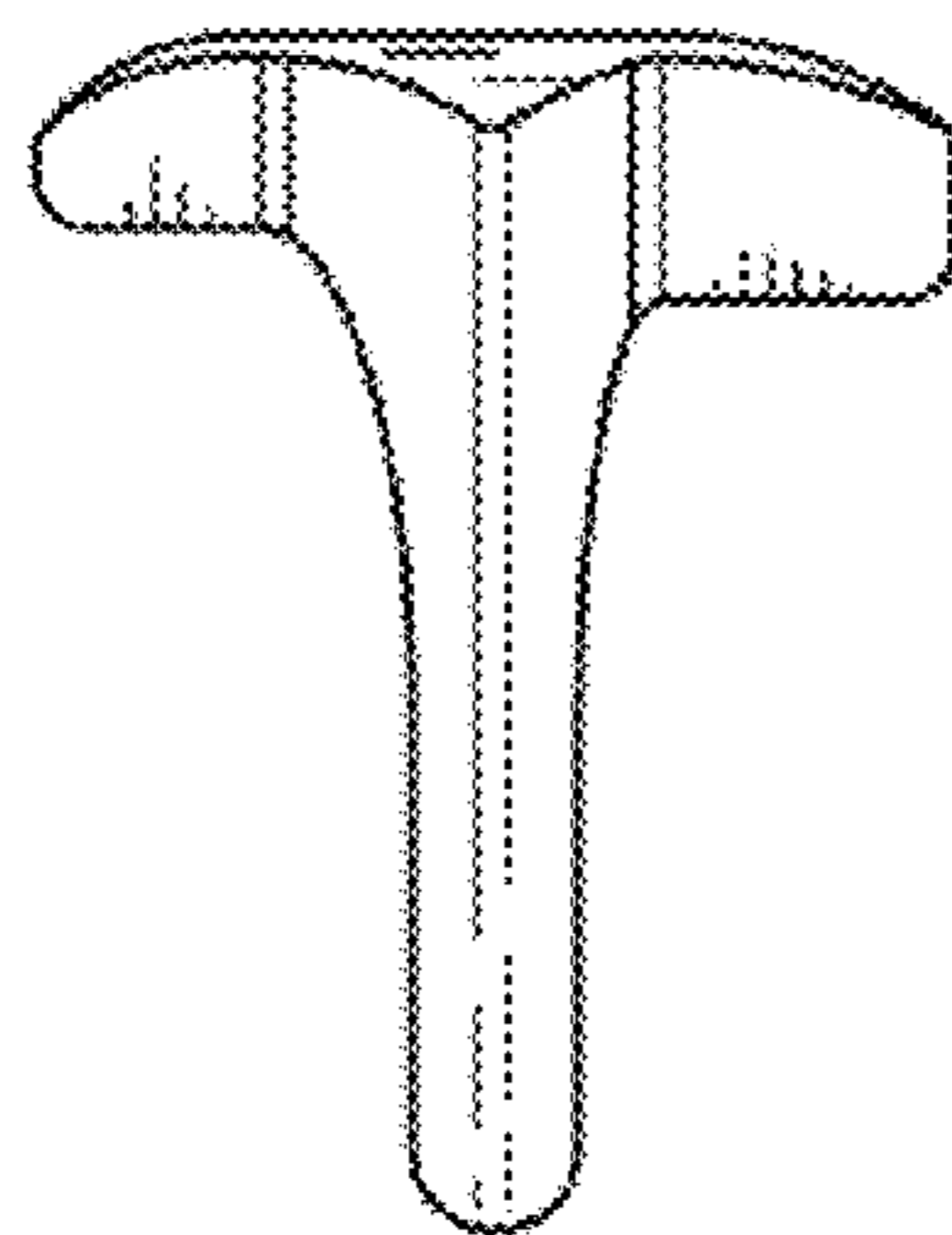


FIG. 6

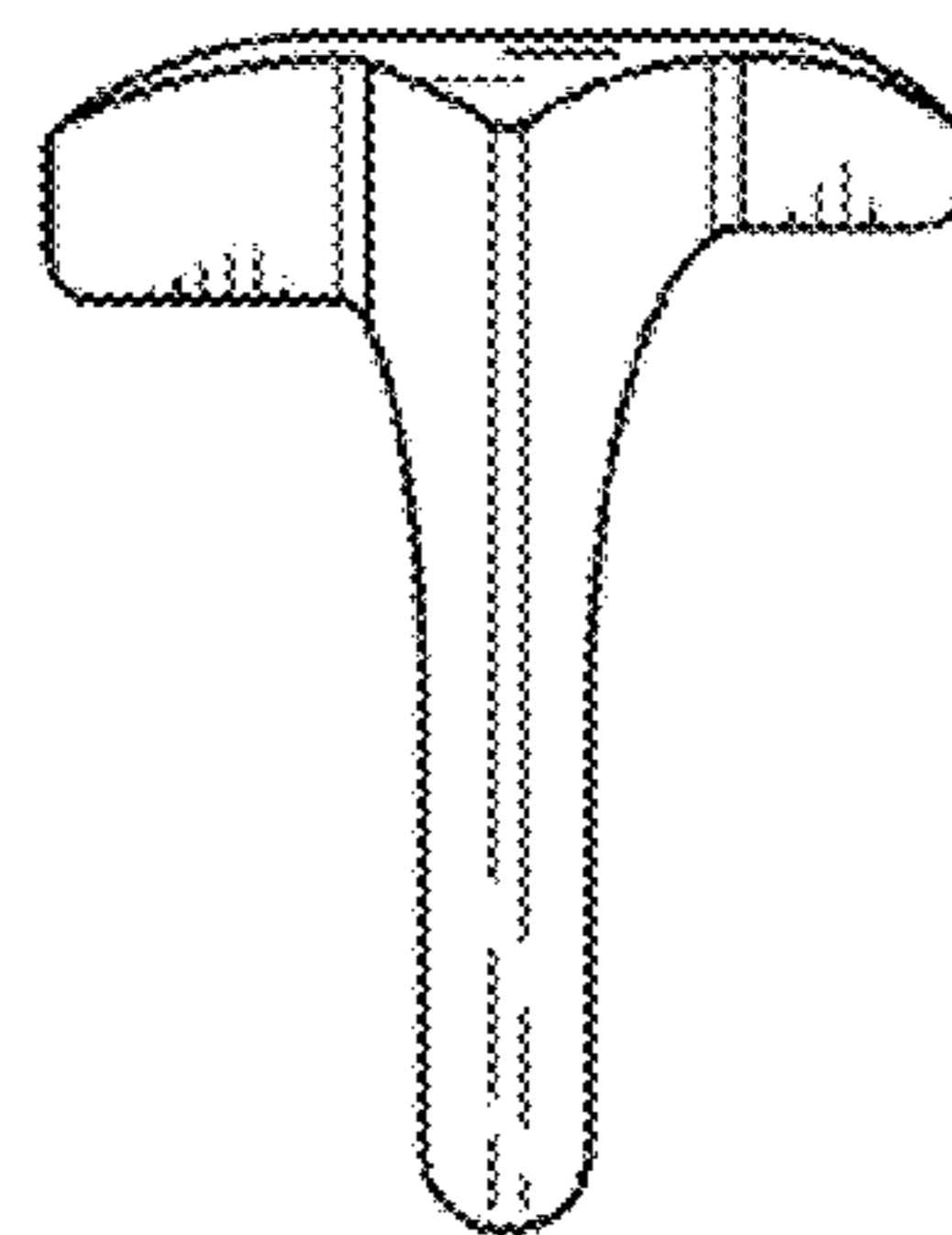


FIG. 7