



US00D597434S

(12) **United States Design Patent**
Yu

(10) **Patent No.:** **US D597,434 S**
(45) **Date of Patent:** **** Aug. 4, 2009**

(54) **EMERGENCY LIGHT**

(75) Inventor: **Robert Yu**, Brookfield, CT (US)

(73) Assignee: **Astralite, Inc.**, Brookfield, CT (US)

(**) Term: **14 Years**

(21) Appl. No.: **29/312,395**

(22) Filed: **Oct. 17, 2008**

(51) **LOC (9) Cl.** **10-05**

(52) **U.S. Cl.** **D10/114**

(58) **Field of Classification Search** D10/114,
D10/109, 111; D34/25; D22/148; D26/49,
D26/37, 110, 24, 27, 93, 104, 29, 53, 85;
D24/110; 340/908, 309.8, 309.16, 321, 953,
340/384.1, 815.77, 691.1, 326; 116/63 P,
116/63 R; 362/205, 184, 253, 186; 390/321,
390/690

See application file for complete search history.

(56) **References Cited**

U.S. PATENT DOCUMENTS

3,402,494 A	9/1968	Gray	40/570
D238,827 S	2/1976	Shine	D20/42
D273,048 S *	3/1984	Chan	D26/37
4,858,082 A *	8/1989	Hayward	362/542
D307,806 S *	5/1990	Byar et al.	D26/37
5,018,290 A	5/1991	Kozek et al.	40/570
D320,863 S *	10/1991	Macaluso	D26/29
5,151,679 A	9/1992	Dimmick	340/326
D357,757 S *	4/1995	Bamber et al.	D26/37
D362,735 S *	9/1995	Hikomori	D26/37
5,461,550 A	10/1995	Johnstone	362/147
D374,835 S	10/1996	Wachter	D10/114
5,599,089 A	2/1997	Sheu et al.	362/198
D379,373 S	5/1997	Logan et al.	D20/10
D391,992 S	3/1998	Vosika et al.	D20/10
5,797,673 A	8/1998	Logan et al.	362/234
D404,152 S *	1/1999	Lynch et al.	D26/37
D409,318 S	5/1999	Hopkins et al.	D26/31
5,914,665 A *	6/1999	Thorp et al.	340/691.1
5,969,627 A *	10/1999	Tarlton et al.	340/693.12

D416,049 S	11/1999	Hooley	D20/10
D426,334 S *	6/2000	Wegrzyn et al.	D26/63
6,105,291 A	8/2000	Gabrius et al.	40/572
6,142,648 A	11/2000	Logan et al.	362/234
D439,352 S *	3/2001	Lai	D26/37
D446,818 S	8/2001	Kim	D20/10
6,280,042 B1 *	8/2001	Wegrzyn et al.	362/20
D469,911 S *	2/2003	Lee	D26/85
D470,959 S *	2/2003	Lai	D26/37
6,606,808 B2	8/2003	Katz	40/570
D495,750 S	9/2004	Lee	D20/42
6,824,295 B1	11/2004	Grondal	362/234
D500,814 S	1/2005	Lee	D20/42
6,838,997 B1 *	1/2005	Davidson	340/693.9
D504,705 S	5/2005	Gregory et al.	D20/42
6,969,181 B1 *	11/2005	Bailey et al.	362/364
7,114,840 B2	10/2006	Hamrick	362/613
D561,264 S *	2/2008	Yu	D20/42
2001/0045035 A1	11/2001	Katz	40/570
2006/0072304 A1 *	4/2006	Lay et al.	362/157

* cited by examiner

Primary Examiner—Caron Veynar

Assistant Examiner—George D Kirschbaum

(74) *Attorney, Agent, or Firm*—Fattibene and Fattibene; Paul A. Fattibene; Arthur T. Fattibene

(57) **CLAIM**

The ornamental design for an emergency light, as shown and described.

DESCRIPTION

FIG. 1 is a perspective view of an emergency light showing the new design.

FIG. 2 is a front elevation view thereof.

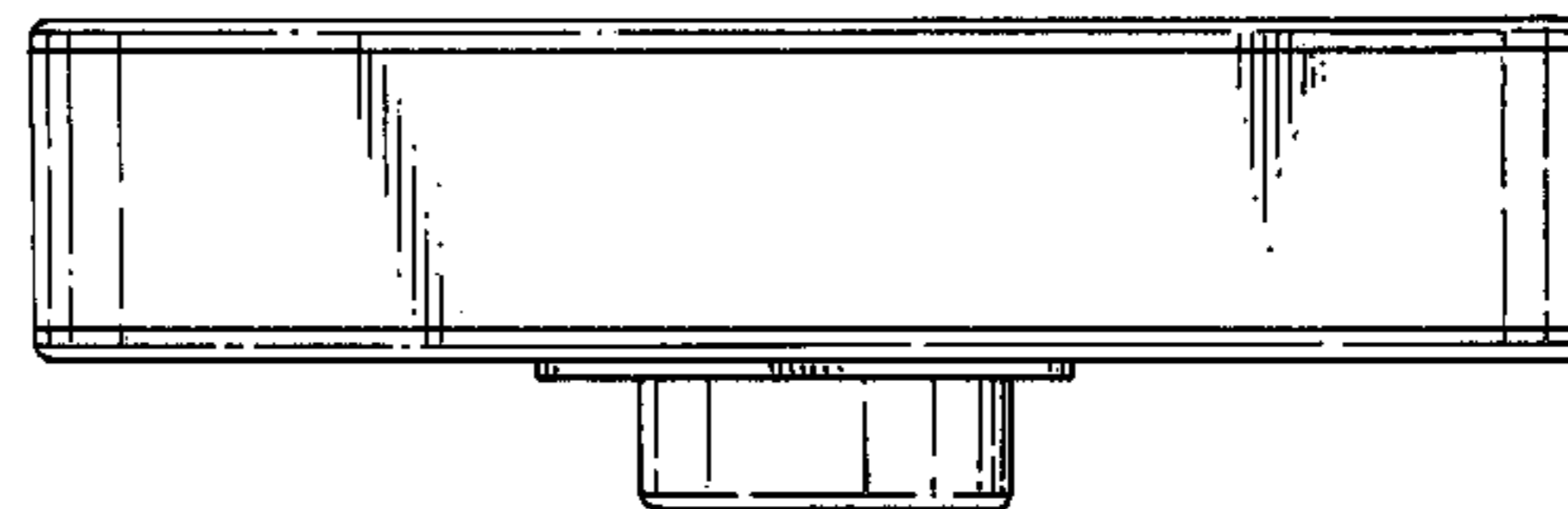
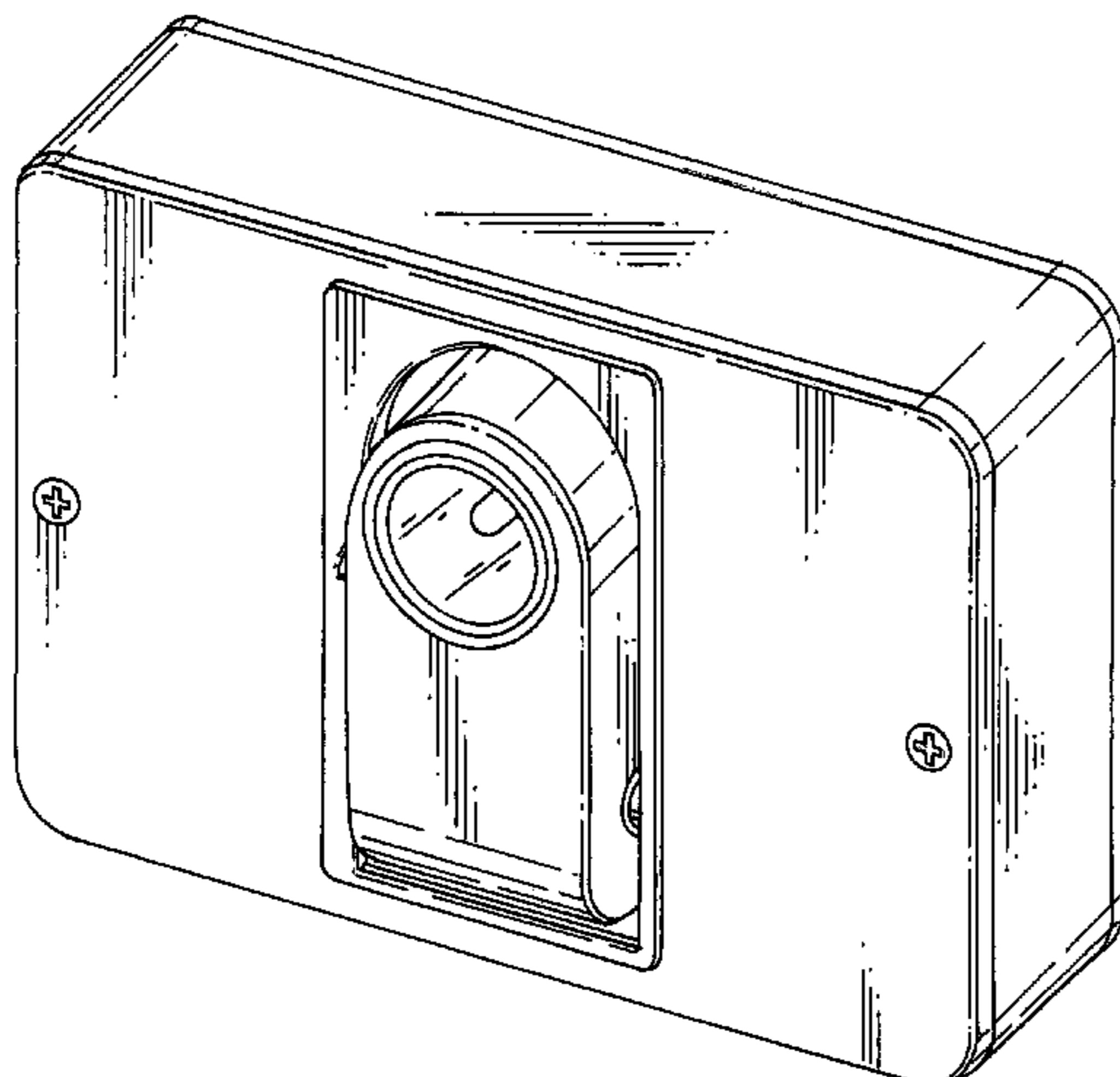
FIG. 3 is a top plan view thereof.

FIG. 4 is a bottom view thereof.

FIG. 5 is a rear elevation view thereof; and,

FIG. 6 is a left end view thereof, with the right end view being a mirror image thereof.

1 Claim, 4 Drawing Sheets



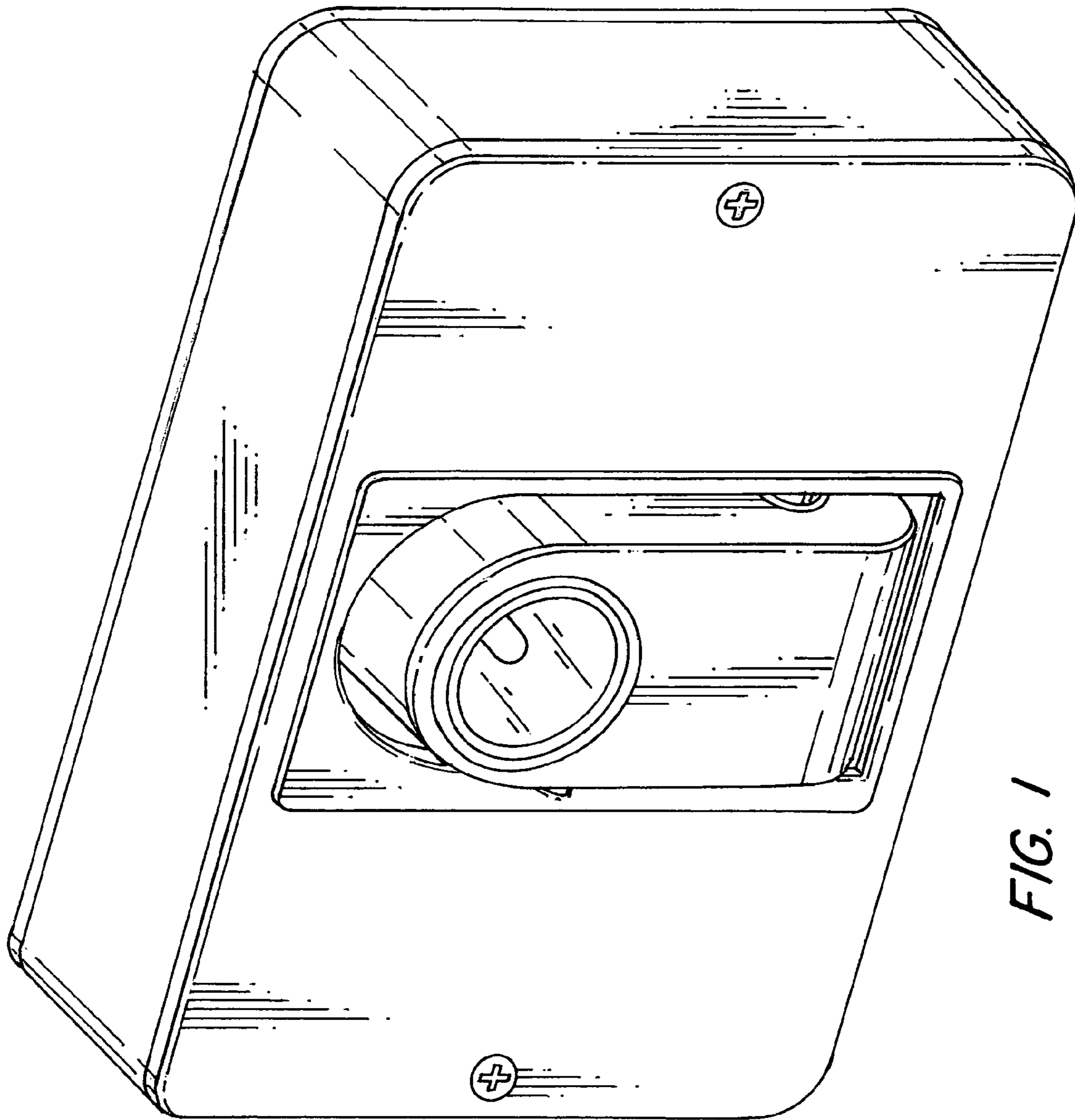


FIG. 1

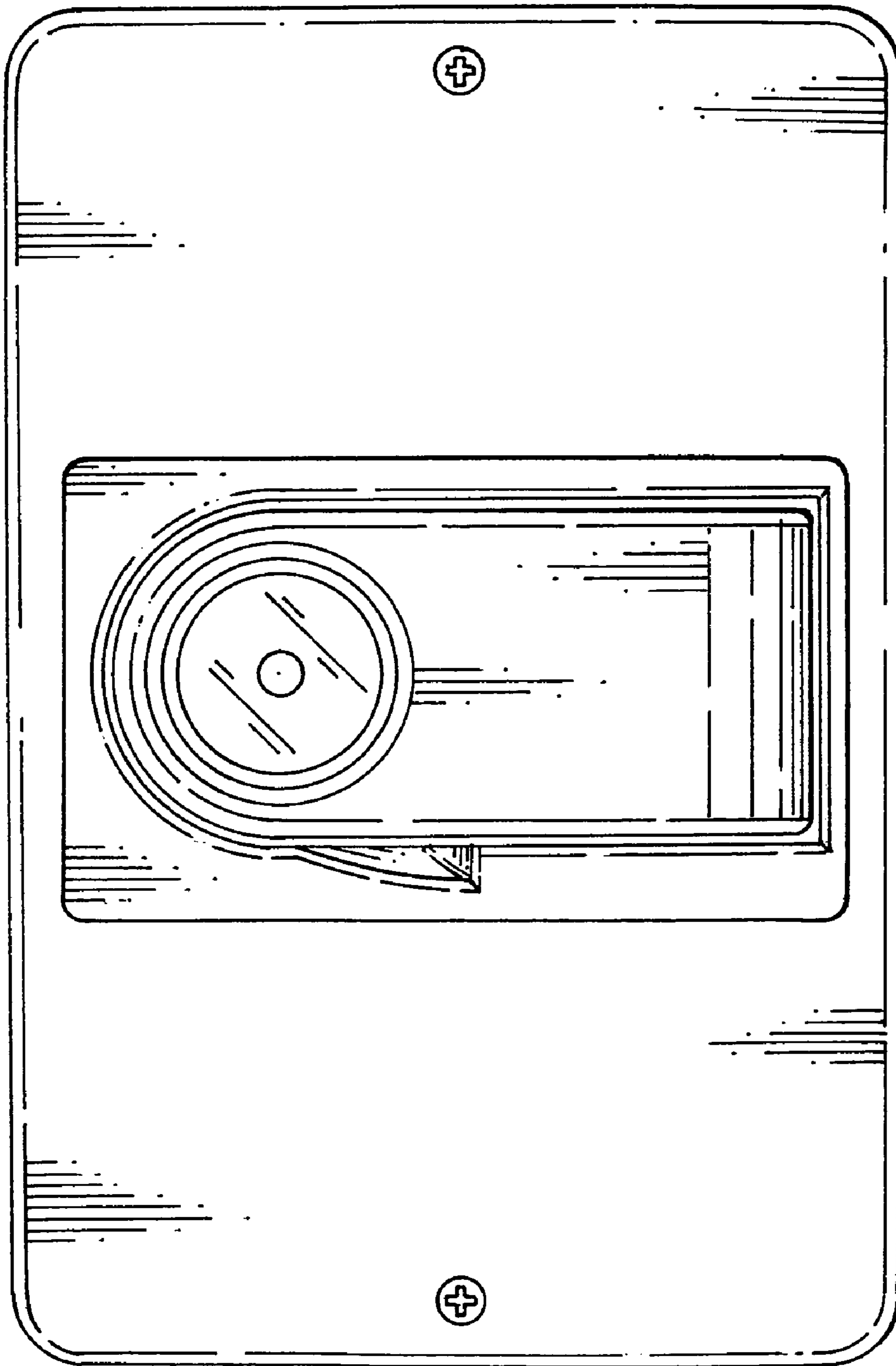


FIG. 2

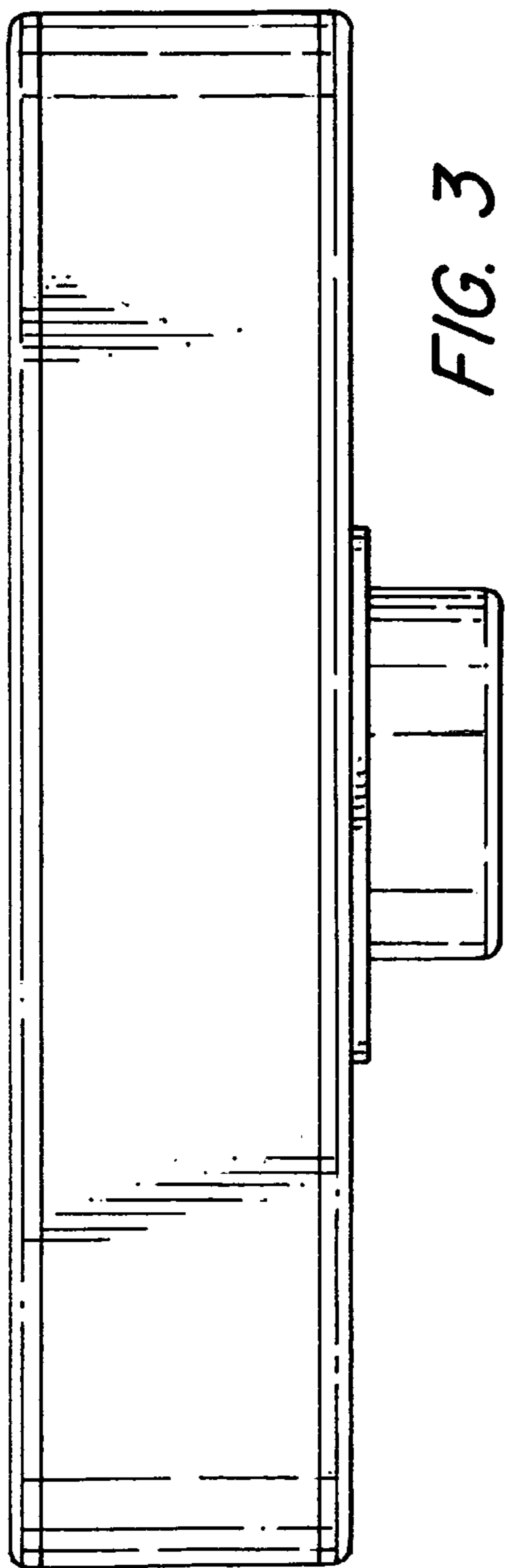


FIG. 3

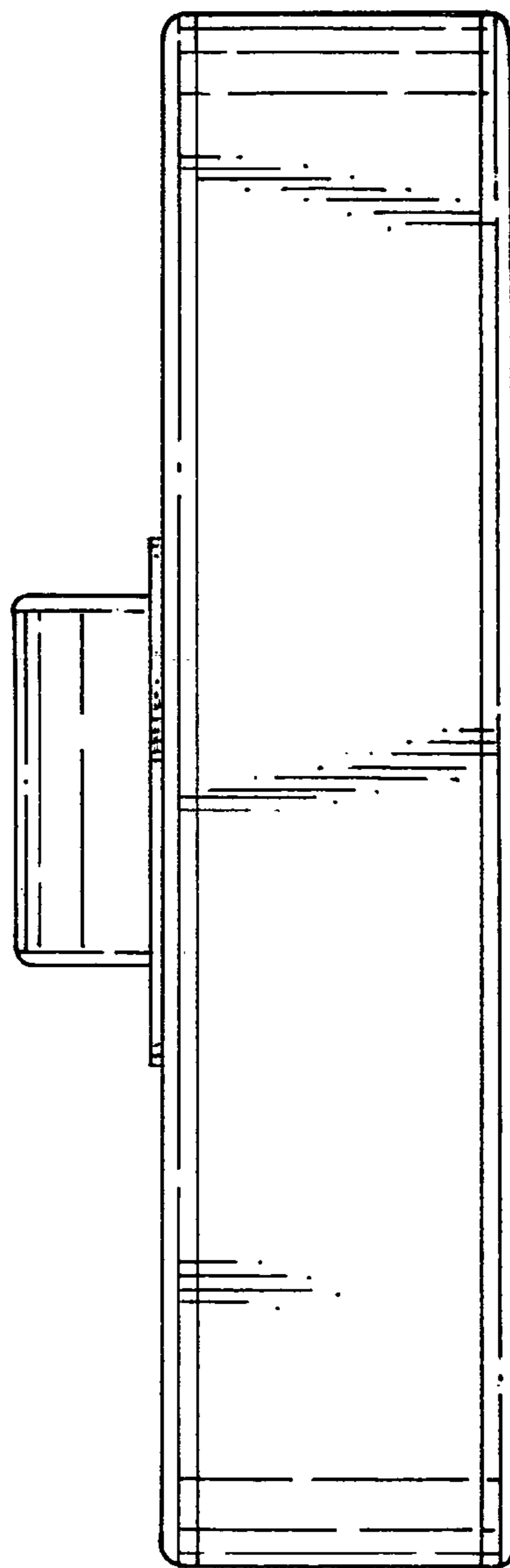


FIG. 4

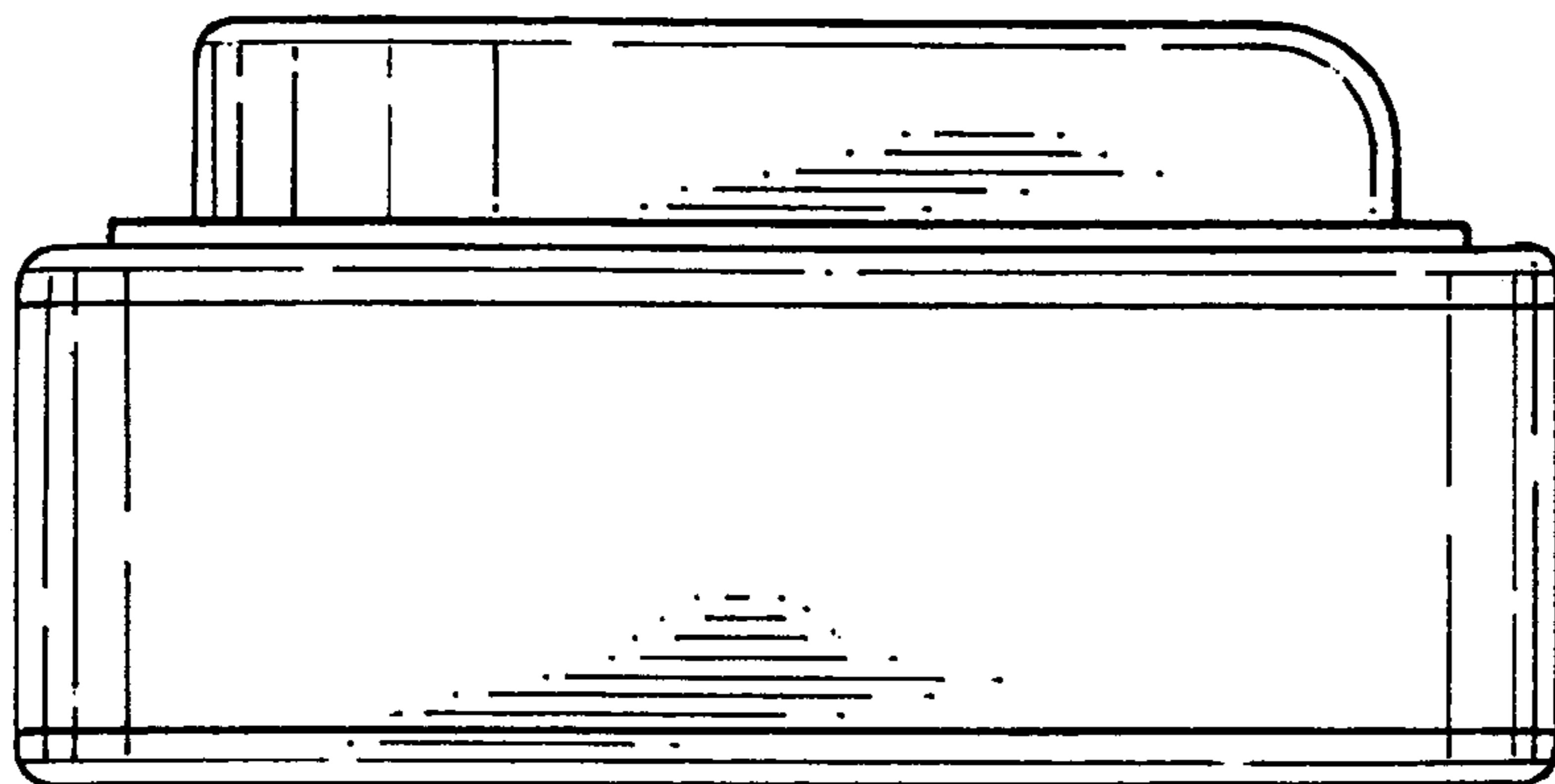


FIG. 6

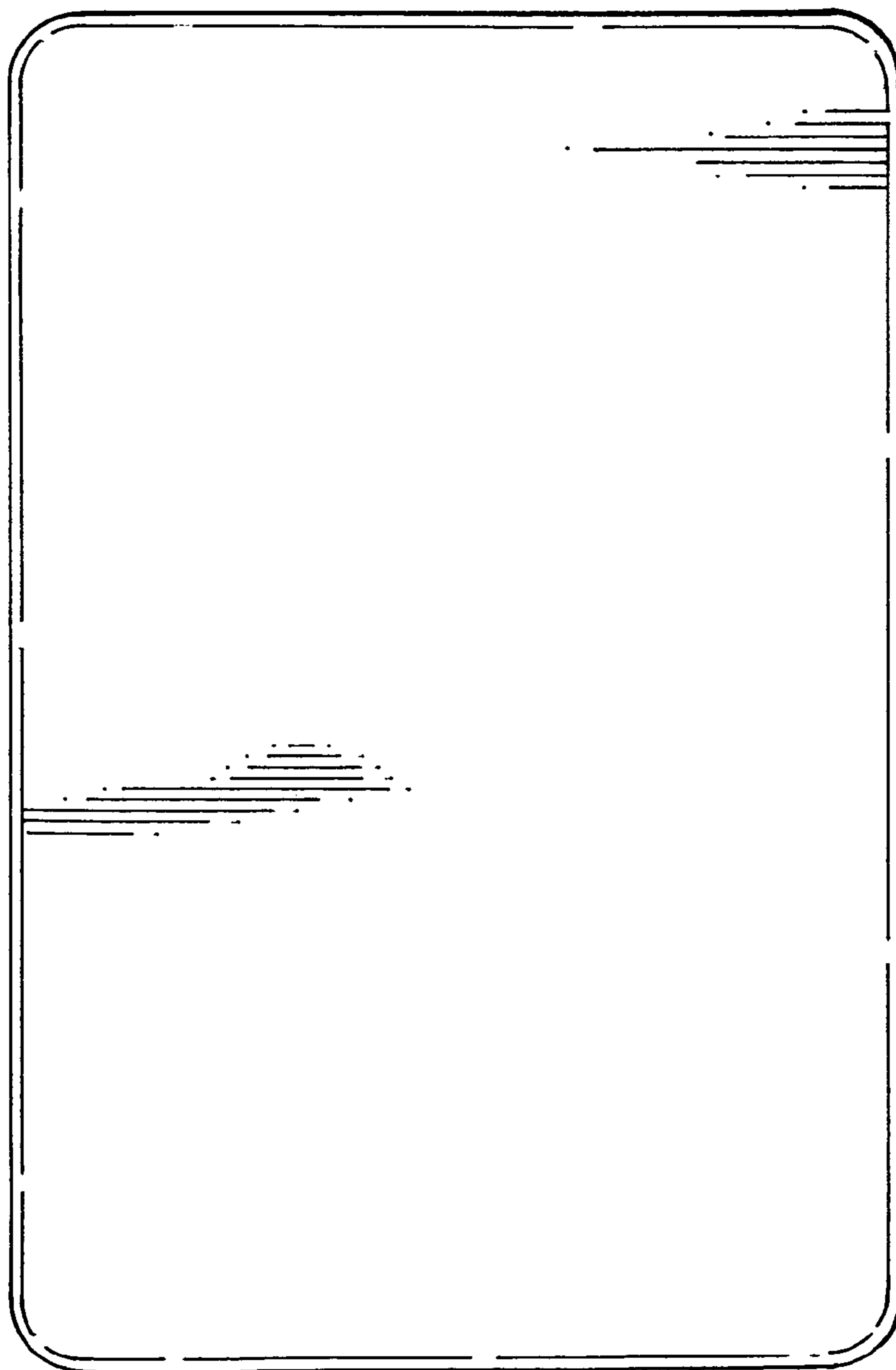


FIG. 5